



US00D686955S

(12) **United States Design Patent**  
**Asakura**

(10) **Patent No.:** **US D686,955 S**  
(45) **Date of Patent:** **\*\* Jul. 30, 2013**

(54) **CALIPER BODY OF DISK BRAKE FOR VEHICLE**

(75) Inventor: **Ryoma Asakura**, Nagano (JP)

(73) Assignee: **Nissin Kogyo Co., Ltd.**, Nagano (JP)

(\*\*) Term: **14 Years**

(21) Appl. No.: **29/419,993**

(22) Filed: **May 3, 2012**

(30) **Foreign Application Priority Data**

Nov. 4, 2011 (JP) ..... 2011-025462

(51) **LOC (9) Cl.** ..... **12-16**

(52) **U.S. Cl.**  
USPC ..... **D12/180**

(58) **Field of Classification Search**  
USPC .. D12/179, 180, 400; 188/71.1, 73.31-73.39,  
188/72.2, 72.4, 73.41-73.46, 218 XL  
See application file for complete search history.

(56) **References Cited**

U.S. PATENT DOCUMENTS

D378,363 S *	3/1997	Sin	.....	D12/180
D458,199 S *	6/2002	Demoise et al.	.....	D12/180
D462,040 S *	8/2002	Ueno et al.	.....	D12/180
D492,229 S *	6/2004	Barbosa et al.	.....	D12/180
D493,754 S *	8/2004	Barbosa et al.	.....	D12/180
D506,714 S *	6/2005	Ono	.....	D12/180
D508,001 S *	8/2005	Matsumoto	.....	D12/180
D512,667 S *	12/2005	Iwasaki	.....	D12/180
D512,946 S *	12/2005	Hatakoshi et al.	.....	D12/180
D515,482 S *	2/2006	Barbosa et al.	.....	D12/180
D520,924 S *	5/2006	Gotti et al.	.....	D12/180
D522,420 S *	6/2006	Crippa et al.	.....	D12/180
D522,421 S *	6/2006	Crippa et al.	.....	D12/180
D523,794 S *	6/2006	Strumbo et al.	.....	D12/180
D555,555 S *	11/2007	Ikuzawa et al.	.....	D12/180

D556,103 S *	11/2007	Morimoto	.....	D12/180
D560,579 S *	1/2008	Sasaki et al.	.....	D12/180
D560,580 S *	1/2008	Sasaki et al.	.....	D12/180
D588,513 S *	3/2009	Crippa et al.	.....	D12/180
D607,793 S *	1/2010	Maroni et al.	.....	D12/180
D610,059 S *	2/2010	Azimonti	.....	D12/180
D610,507 S *	2/2010	Azimonti	.....	D12/180

(Continued)

OTHER PUBLICATIONS

[http://www.alibaba.com/promotion/brake\\_caliper\\_for\\_nissan/promotion/2.html](http://www.alibaba.com/promotion/brake_caliper_for_nissan/promotion/2.html).\*

*Primary Examiner* — Philip S Hyder

*Assistant Examiner* — John T Applewhite

(74) *Attorney, Agent, or Firm* — Sughrue Mion, PLLC

(57) **CLAIM**

The ornamental design for a caliper body of disk brake for vehicle, as shown and described.

**DESCRIPTION**

FIG. 1 is a perspective view of the front, top and right side of a caliper body of disk brake for vehicle showing our new design;

FIG. 2 is a perspective view of the rear, top and left side thereof;

FIG. 3 is a front view thereof;

FIG. 4 is a rear view thereof;

FIG. 5 is a left side view thereof;

FIG. 6 is a right side view thereof;

FIG. 7 is a top view thereof;

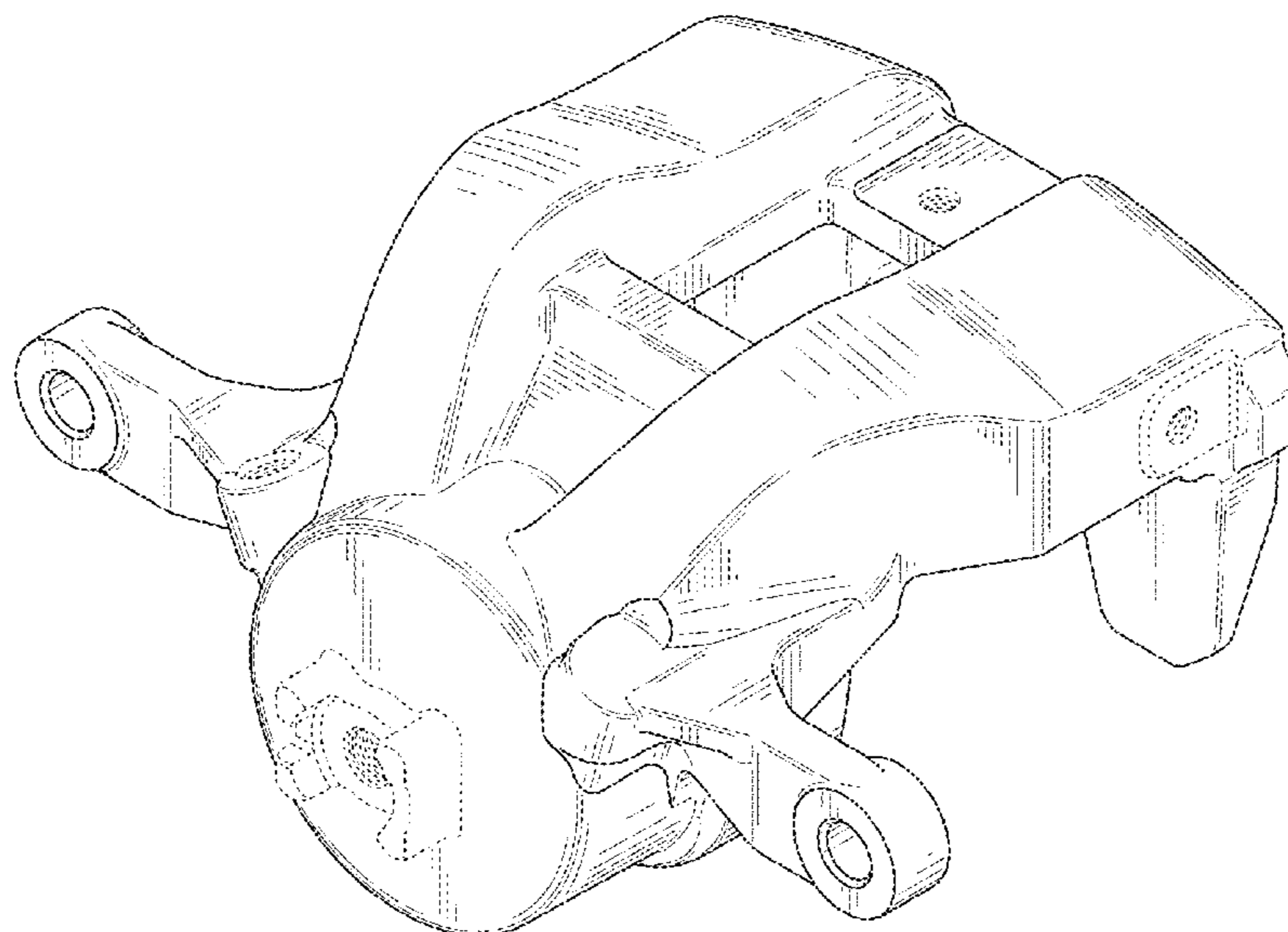
FIG. 8 is a bottom view thereof;

FIG. 9 is a cross sectional view at 9-9 in FIG. 3 thereof; and,

FIG. 10 is a cross sectional view at 10-10 in FIG. 6 thereof.

The broken lines shown illustrate portions of the caliper body of disk brake for vehicle that form no part of claimed design.

**1 Claim, 6 Drawing Sheets**



# US D686,955 S

Page 2

---

## U.S. PATENT DOCUMENTS

D619,063 S *	7/2010	Veneziano et al. ....	D12/180	D630,141 S *	1/2011	Chen .....	D12/180
D623,102 S *	9/2010	Gherardi et al. ....	D12/180	D642,100 S *	7/2011	Crippa et al. ....	D12/180
							* cited by examiner

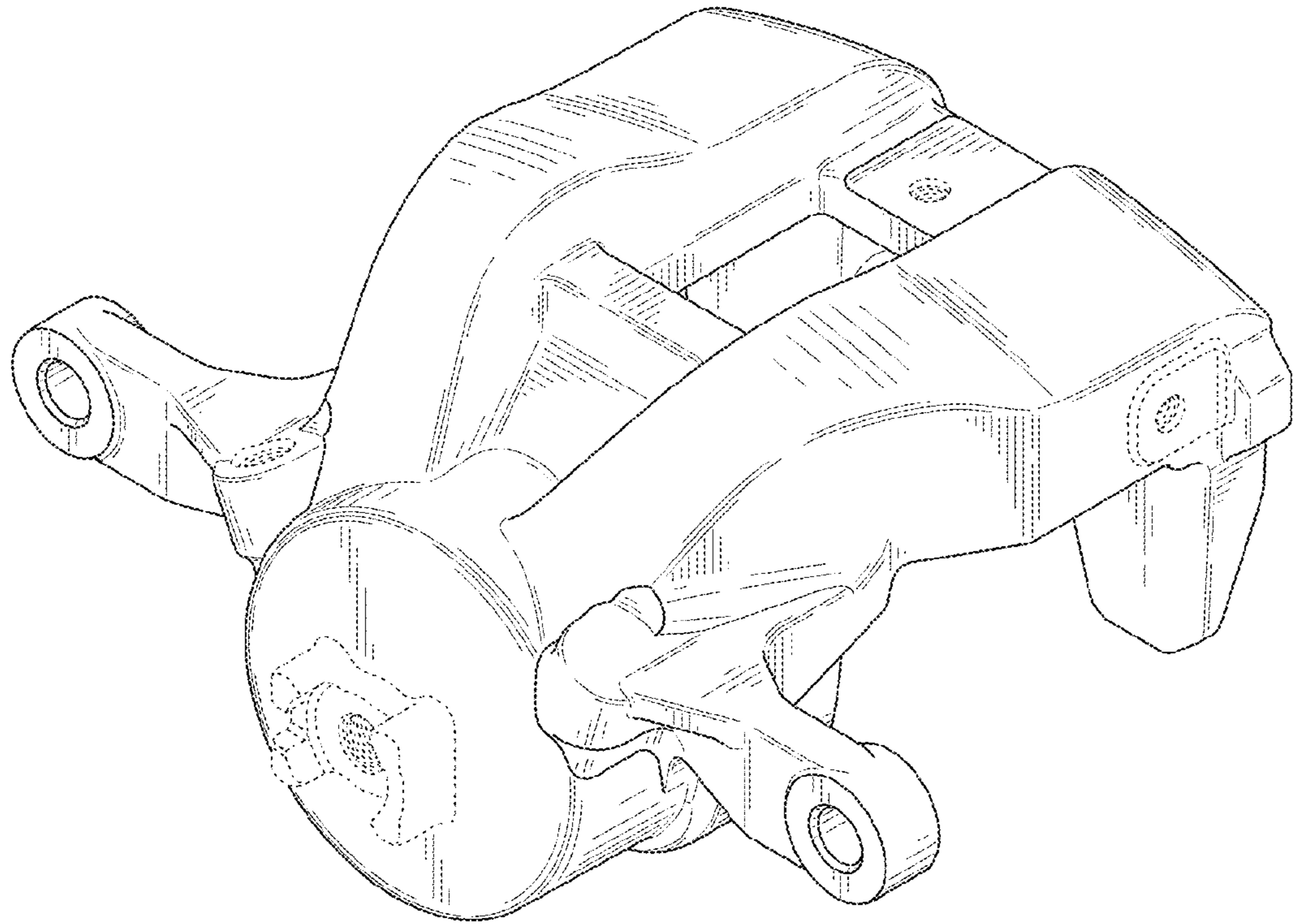


FIG. 1

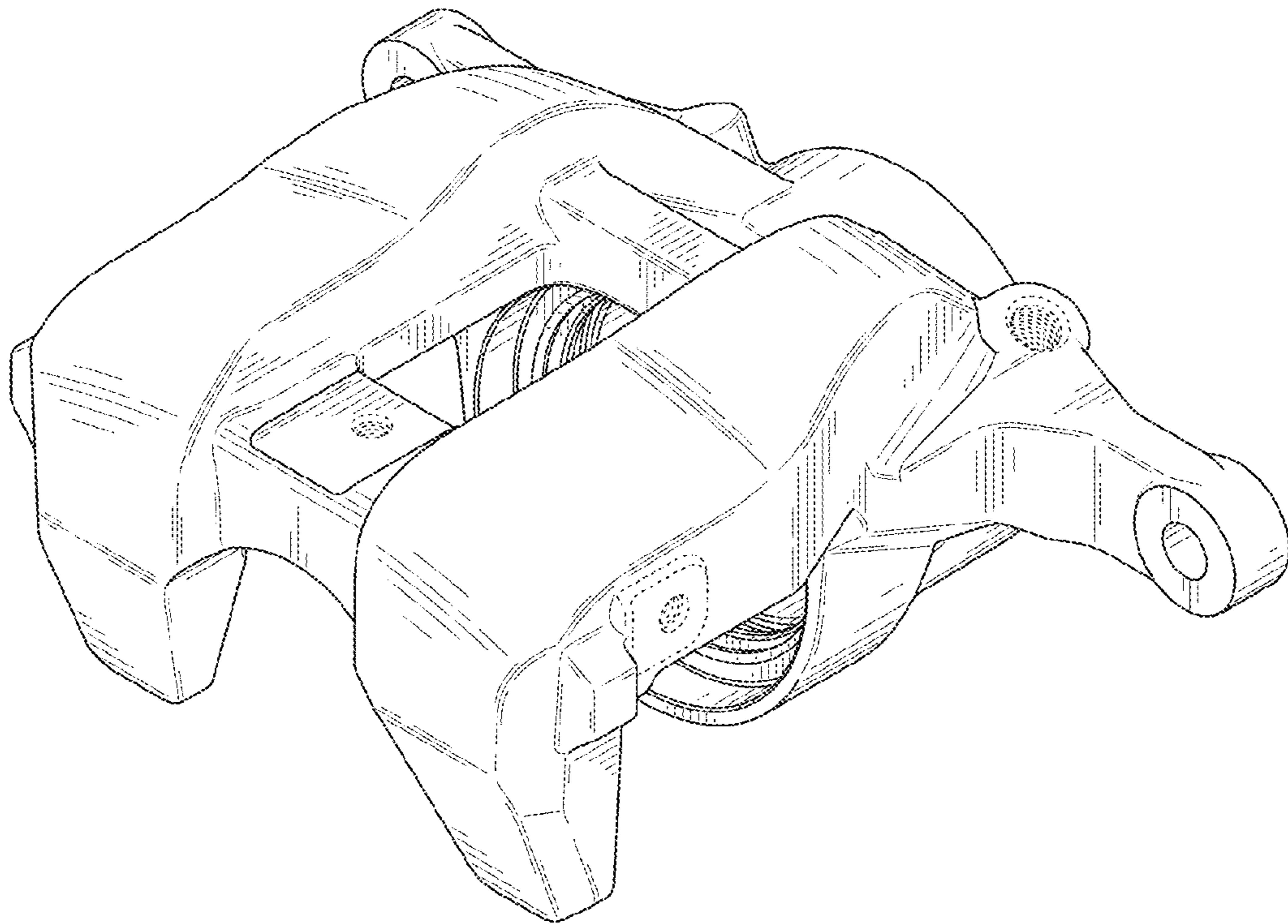


FIG. 2

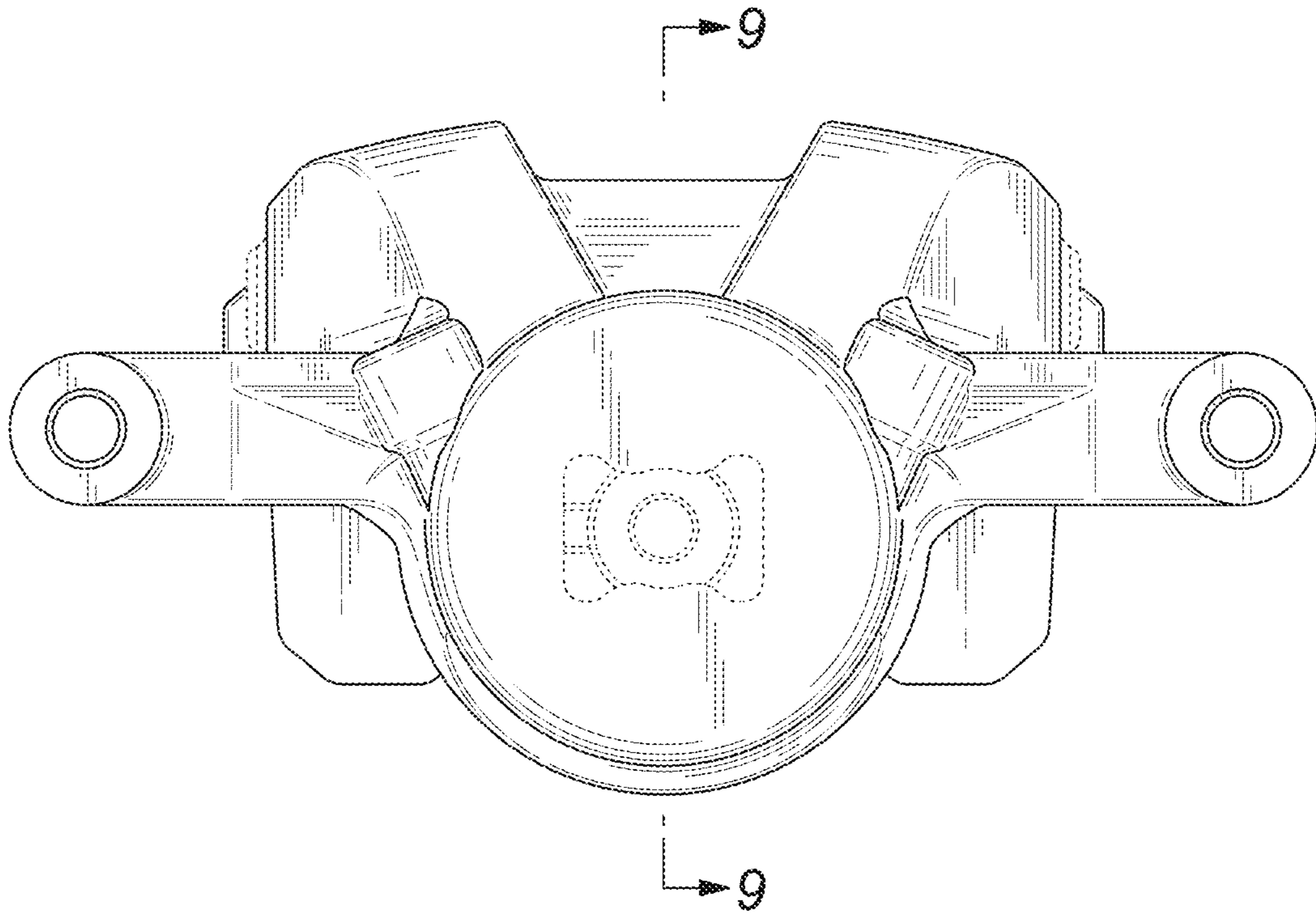


FIG. 3

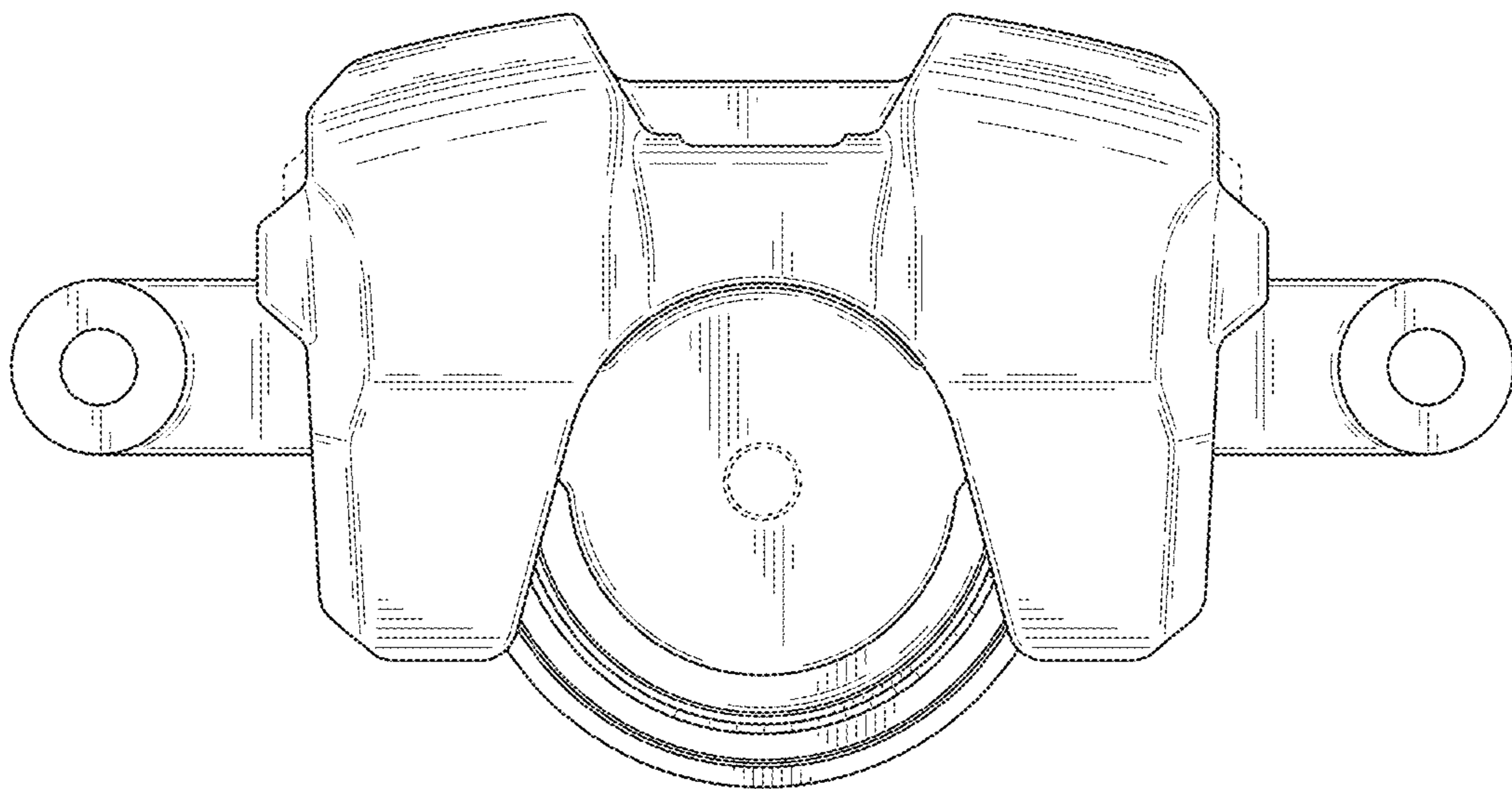


FIG. 4

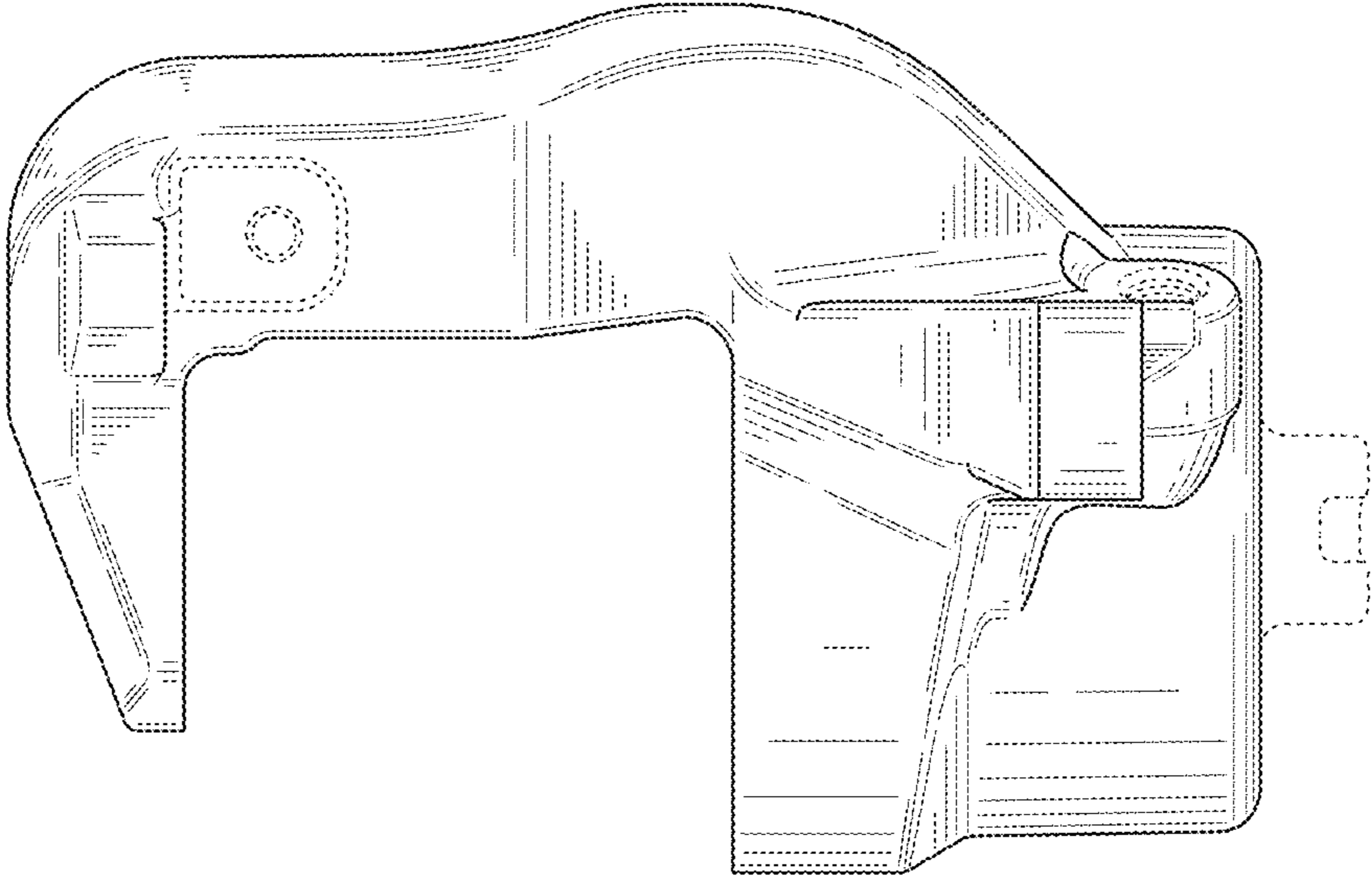


FIG. 5

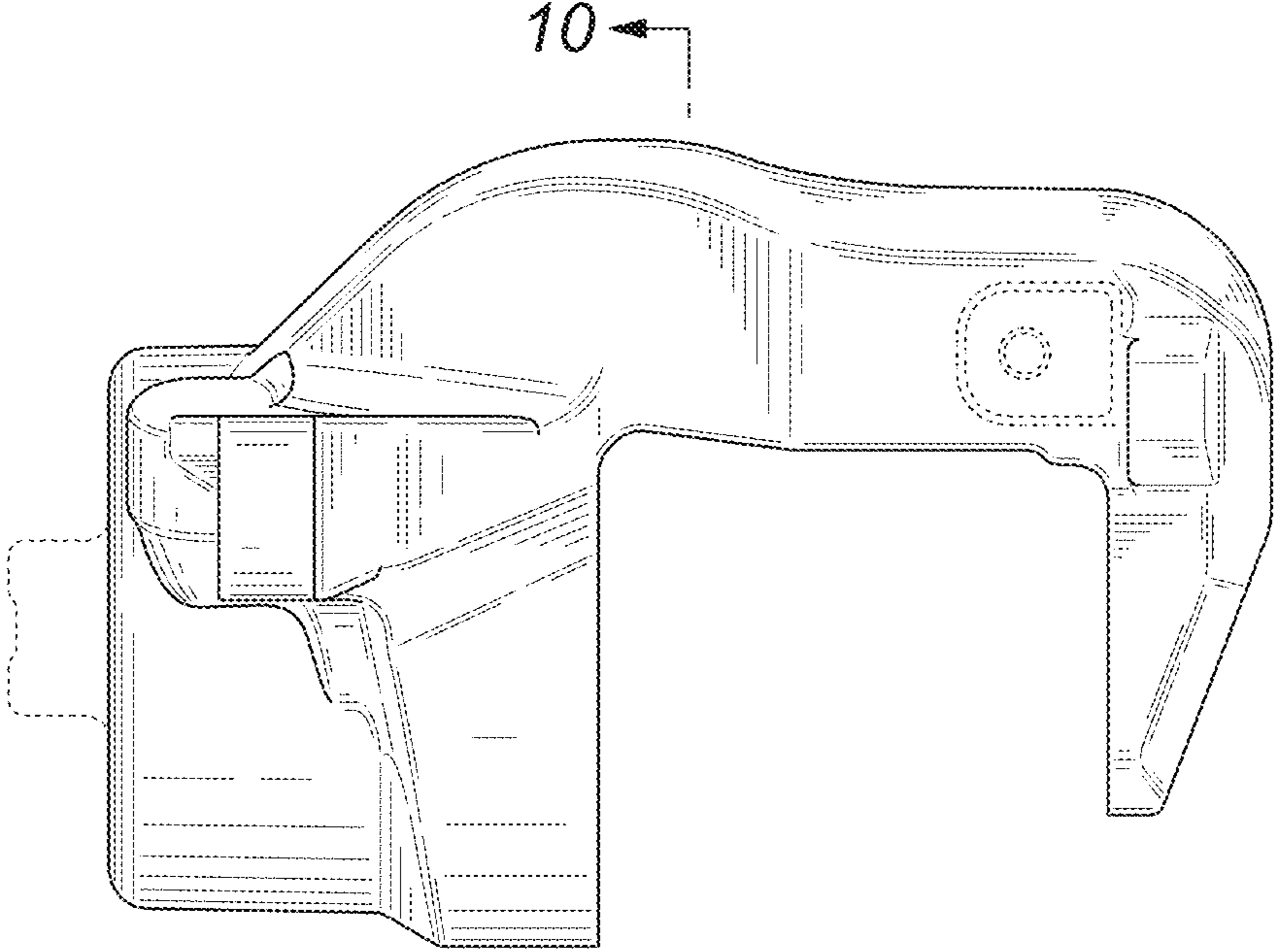
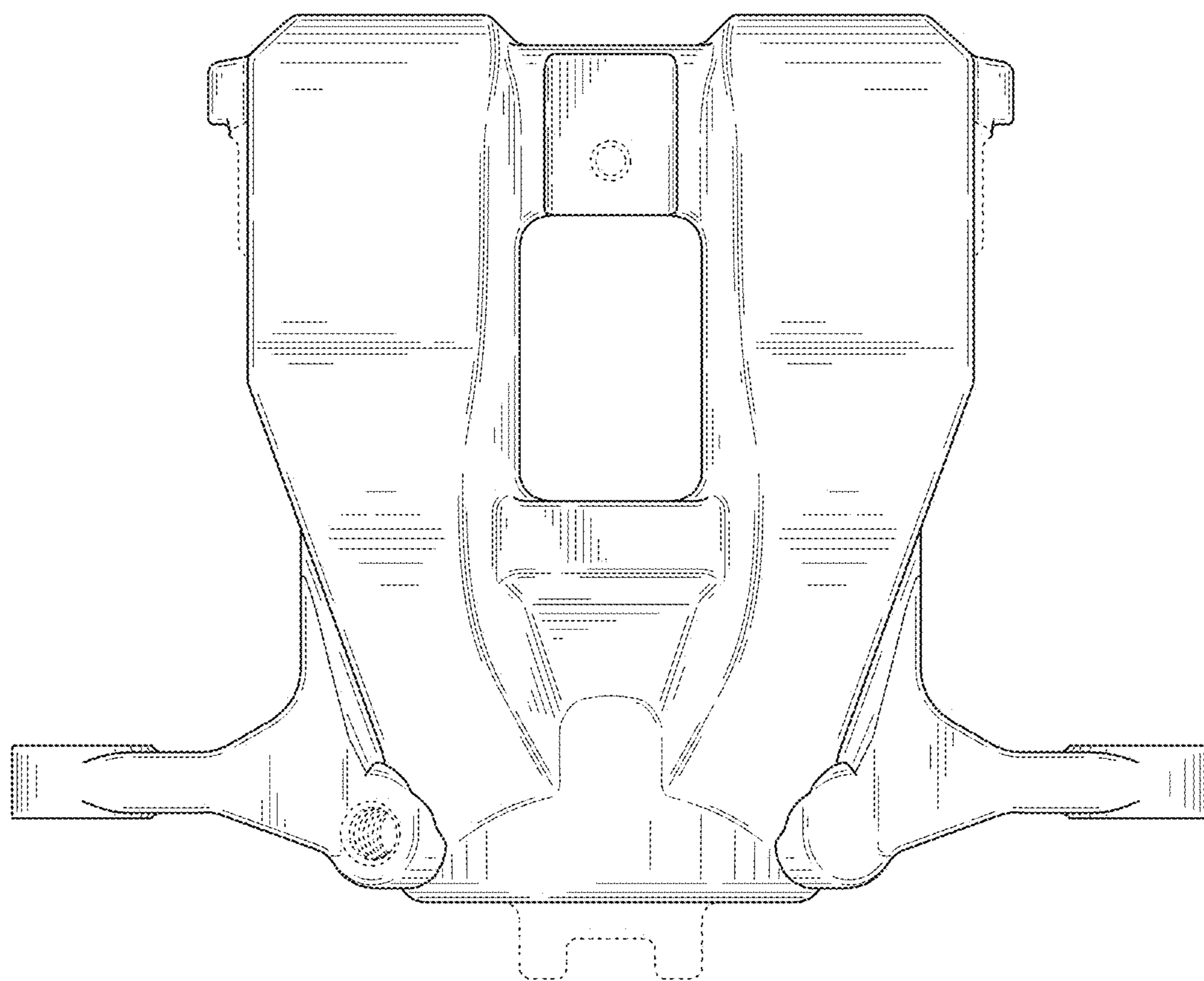


FIG. 6



**FIG. 7**

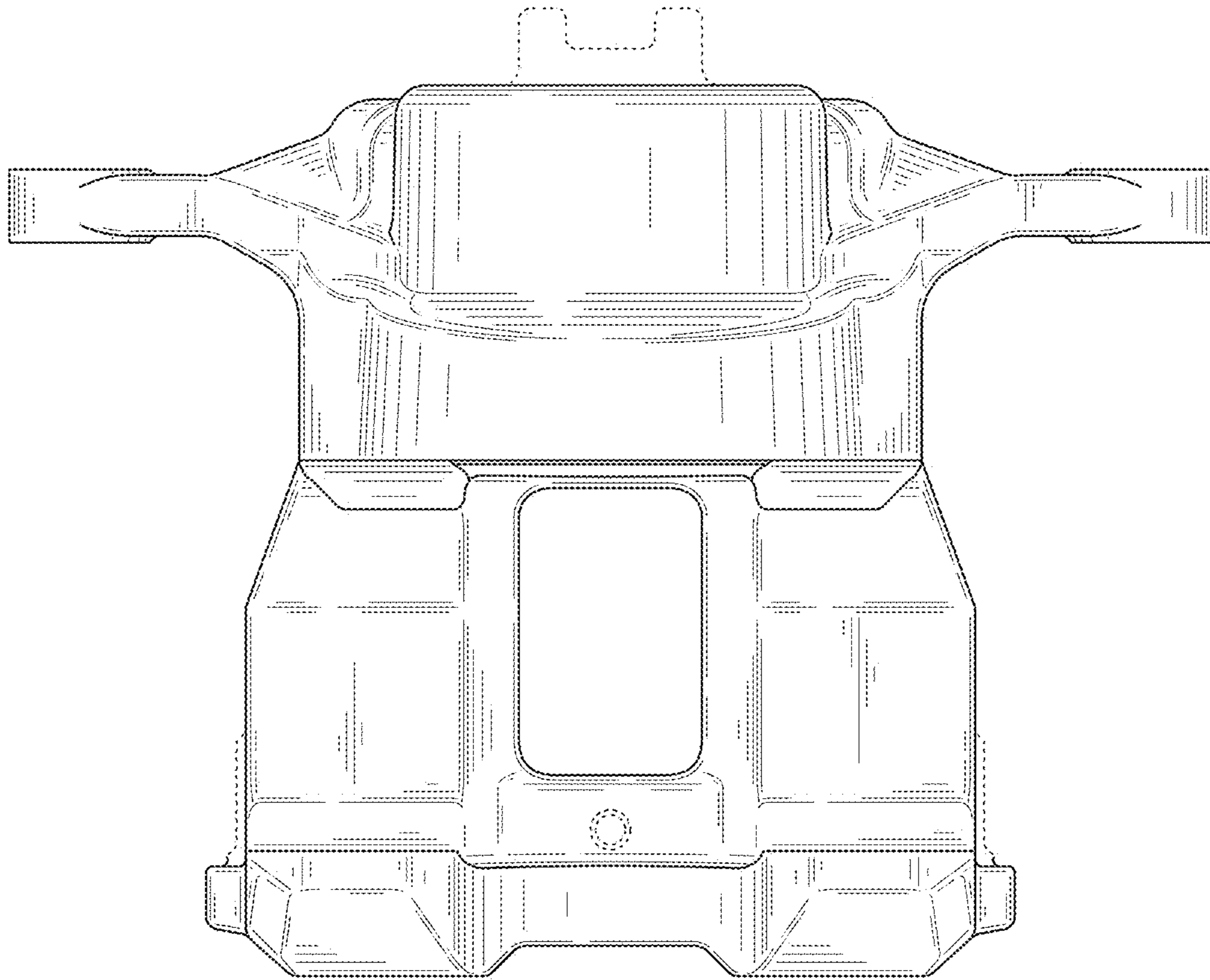


FIG. 8

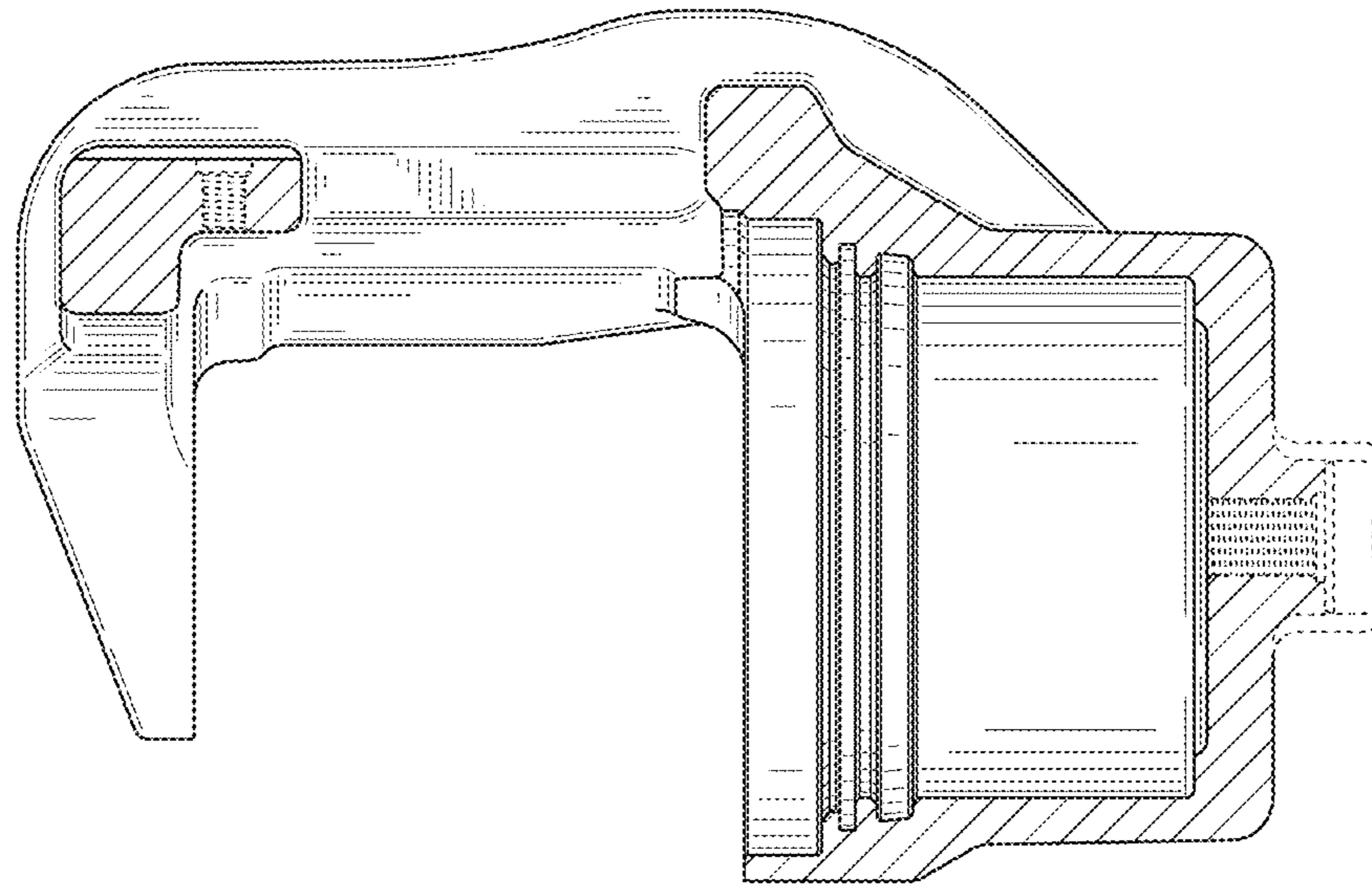


FIG. 9

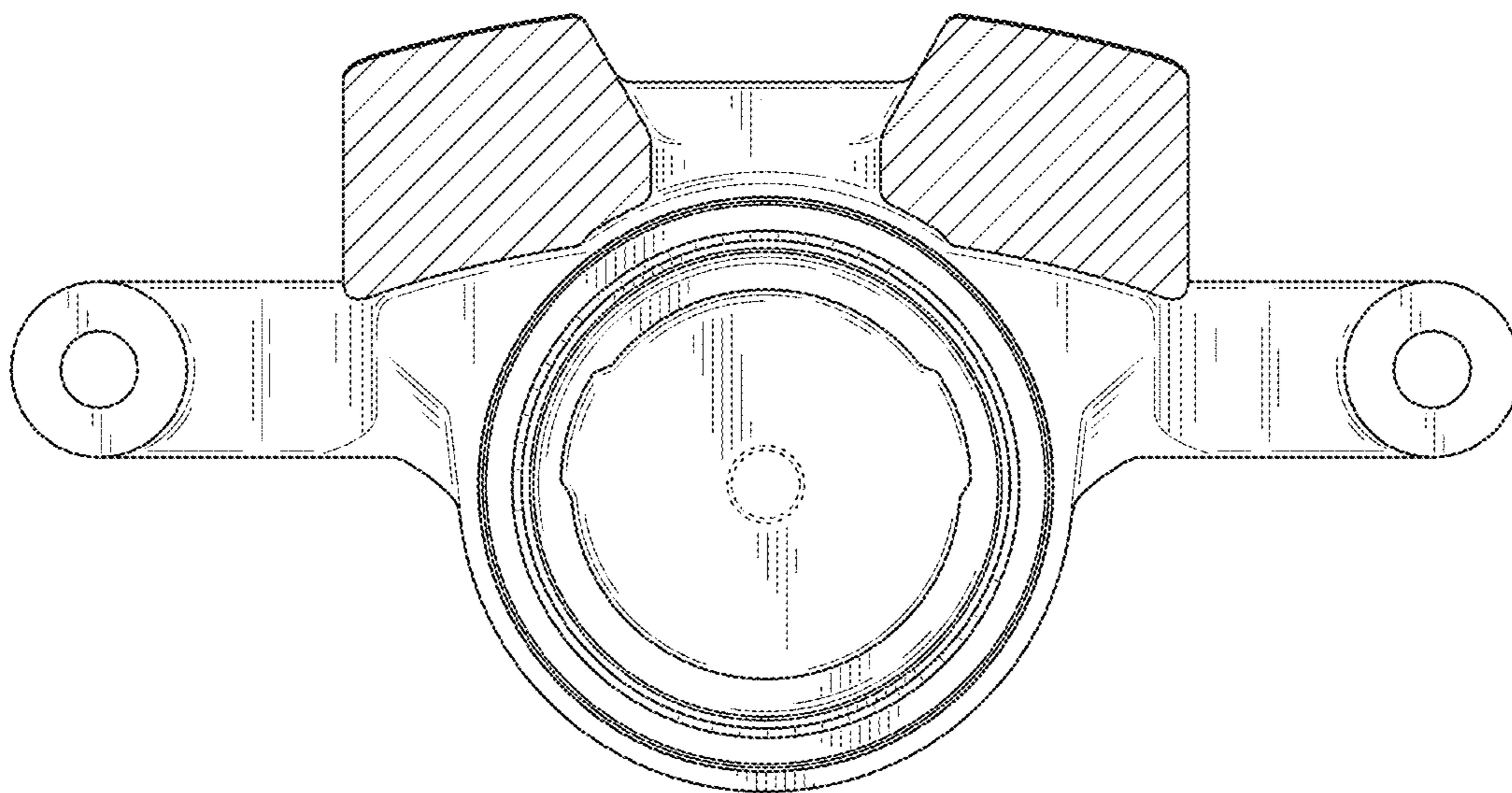


FIG. 10