



US00D686953S

(12) **United States Design Patent**
Rabska

(10) **Patent No.:** **US D686,953 S**
(45) **Date of Patent:** **** Jul. 30, 2013**

(54) **GOOSENECK COUPLER HEAD**
(75) Inventor: **Kevin Rabska**, Junction City, WI (US)
(73) Assignee: **Cequent Performance Products, Inc.**,
Plymouth, MI (US)
(**) Term: **14 Years**
(21) Appl. No.: **29/413,787**
(22) Filed: **Feb. 21, 2012**
(51) **LOC (9) Cl.** **12-16**
(52) **U.S. Cl.**
USPC **D12/162**
(58) **Field of Classification Search**
USPC D12/162, 159, 160, 161; 56/DIG. 14;
37/399; 280/406.2, 407, 407.1, 408, 411.1,
280/416.1, 416.2, 416.3, 418, 418.1, 433,
280/434, 435, 441.1, 441.2, 455.1, 456.1,
280/480, 493, 504, 507, 508; 224/42.11,
224/42.12, 401, 412, 413, 488, 494, 500-501,
224/519, 537; 135/88.05; 150/166
See application file for complete search history.

2,848,253 A 8/1958 Walker
2,885,015 A 5/1959 Koch et al.
2,891,806 A 6/1959 Haverly et al.
2,968,496 A 1/1961 Gouirand
3,014,545 A 12/1961 Shepley
3,092,399 A 6/1963 Hair
3,123,382 A 3/1964 Toland
3,137,515 A 6/1964 Masser
3,203,723 A 8/1965 Montenare
3,208,770 A 9/1965 Frietas et al.
3,227,470 A 1/1966 Funk
3,236,541 A 2/1966 Poteet
3,269,159 A 8/1966 Young
3,269,751 A 8/1966 Whattoff
3,326,573 A 6/1967 Neitzey, Jr.
3,374,268 A 3/1968 Groves
3,380,758 A 4/1968 Granning
3,391,555 A 7/1968 Mamo
3,396,926 A 8/1968 Shelton et al.

(Continued)

Primary Examiner — Katrina A Betton
(74) *Attorney, Agent, or Firm* — McDonald Hopkins LLC

(57) **CLAIM**
The ornamental design of a gooseneck coupler head, as shown and described.

(56) **References Cited**

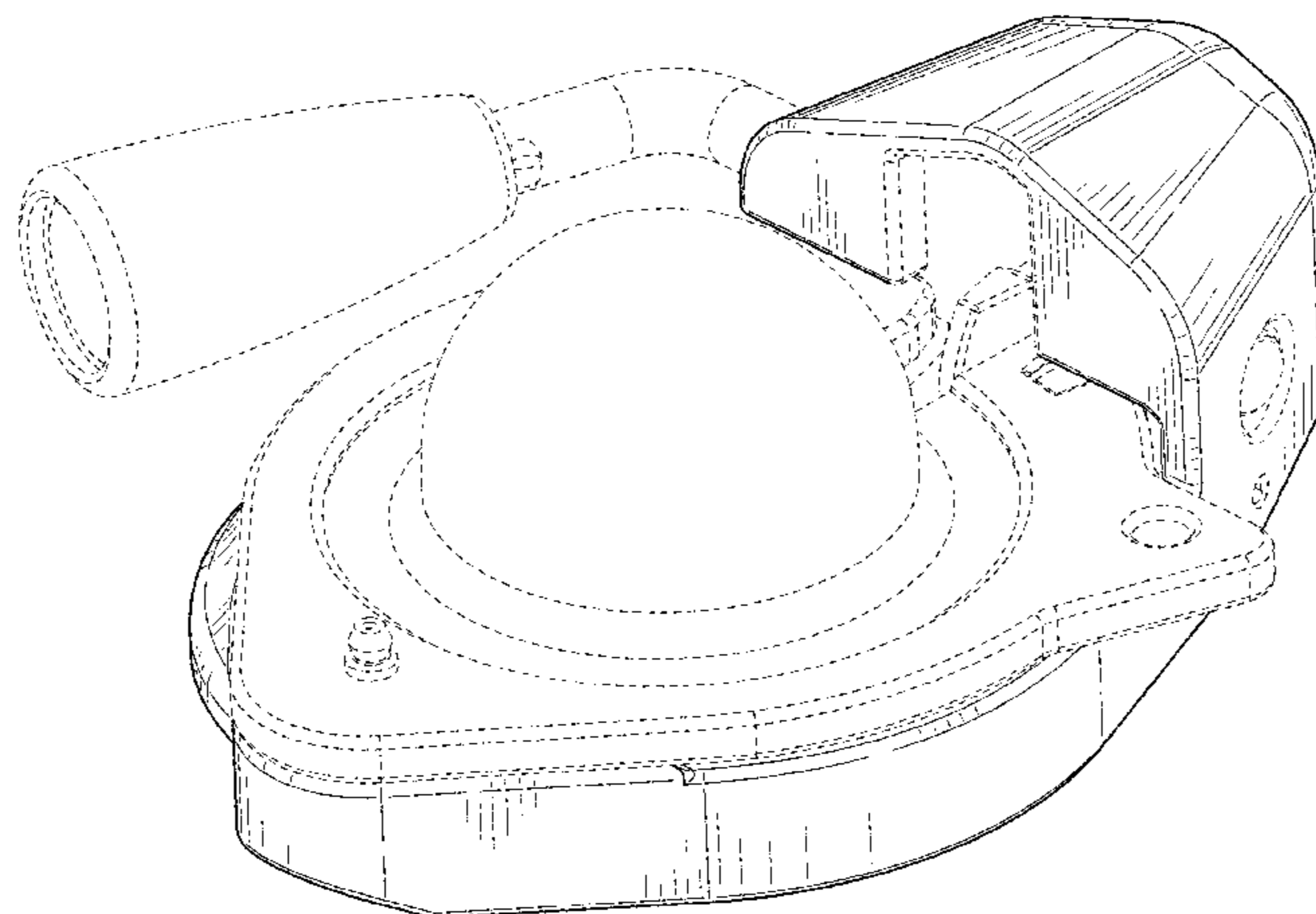
DESCRIPTION

U.S. PATENT DOCUMENTS

1,359,213 A 11/1920 Welch
1,380,490 A 6/1921 Masury
1,780,531 A 11/1930 Messier
1,867,670 A 7/1932 Lubbers
1,880,894 A 10/1932 Dorman
1,953,365 A 4/1934 Reetz
2,118,544 A 5/1938 Asbury
2,150,269 A 3/1939 Dreisbach
2,204,882 A 6/1940 Berluti
2,474,296 A 6/1949 Wiltsee
2,563,372 A 8/1951 Risse
2,641,124 A 6/1953 Gallagher et al.
2,656,706 A 10/1953 Lucas et al.
2,706,644 A 4/1955 Black
2,733,931 A 2/1956 Reid et al.

FIG. 1 is a rear perspective view of a gooseneck coupler head showing my new design;
FIG. 2 is a rear view thereof;
FIG. 3 is a front view thereof;
FIG. 4 is a left view thereof;
FIG. 5 is a right view thereof;
FIG. 6 is a top view thereof;
FIG. 7 is a bottom view thereof; and,
FIG. 8 is front a perspective view thereof.
The broken lines in the figures are included for the purpose of illustrating portions of the gooseneck coupler head and form no part of the claimed design.

1 Claim, 6 Drawing Sheets



US D686,953 S

U.S. PATENT DOCUMENTS					
3,400,949	A	9/1968 Kendall	D346,782	S	5/1994 Schmidt
3,426,377	A	2/1969 Beckwith et al.	5,322,313	A	6/1994 Schroeder
3,526,110	A *	9/1970 Foote 70/258	5,332,248	A	7/1994 Higginbotham
3,527,476	A	9/1970 Winckler	5,342,076	A	8/1994 Swindall
3,591,200	A	7/1971 Van Raden	5,382,109	A	1/1995 Nyman
3,605,457	A	9/1971 Foster	5,388,849	A	2/1995 Arsenault et al.
3,708,183	A	1/1973 Jones	5,410,893	A	5/1995 Easterwood
3,717,273	A	2/1973 Berends	5,413,366	A	5/1995 Gibbons
3,759,549	A	9/1973 Morris	5,427,471	A	6/1995 Godbersen
3,773,357	A	11/1973 Austin	5,433,468	A	7/1995 Dixon
3,796,443	A	3/1974 Crutchfield	5,435,585	A	7/1995 Chambers
3,796,444	A	3/1974 Hixon	5,441,295	A	8/1995 Smith
3,810,661	A	5/1974 Lowrance	5,472,222	A	12/1995 Marcy
3,820,823	A	6/1974 Beaston	5,503,423	A	4/1996 Roberts et al.
3,831,982	A	8/1974 Bernhardt et al.	5,540,065	A	7/1996 Wyers
3,865,406	A	2/1975 Dutton	5,544,505	A	8/1996 McIntosh et al.
3,889,978	A	6/1975 Kann	5,547,210	A	8/1996 Dugger
3,891,239	A	6/1975 Leo et al.	5,549,322	A	8/1996 Hauri
3,893,713	A	7/1975 Ivy	5,571,270	A	11/1996 Larkin
3,895,767	A	7/1975 Maughlin et al.	5,577,751	A	11/1996 Matthews
3,945,668	A	3/1976 Holland	5,582,420	A	12/1996 Ulbrich
3,955,831	A	5/1976 Whitchurch	5,584,495	A	12/1996 Mason
4,000,911	A	1/1977 Weber	5,593,139	A	1/1997 Julian
4,057,265	A	11/1977 Grace	5,603,597	A	2/1997 Clay, Sr.
4,077,650	A	3/1978 Leach, Jr.	5,605,264	A	2/1997 Neal
4,088,339	A	5/1978 Sagebiel	5,639,106	A	6/1997 Vitale et al.
4,103,927	A	8/1978 Schmidt	5,653,366	A	8/1997 Liserre
4,119,328	A	10/1978 Rhodes	5,681,053	A	10/1997 Misukanis et al.
4,133,553	A	1/1979 Pierce	5,695,204	A	12/1997 Ford
4,137,587	A	2/1979 Rosengren	5,700,024	A	12/1997 Upchurch
4,141,569	A	2/1979 Dilk	5,704,086	A	1/1998 Hansen et al.
4,148,498	A	4/1979 Taylor, Jr.	5,741,022	A	4/1998 Wass et al.
4,153,270	A	5/1979 Brockmiller	5,752,398	A *	5/1998 Villalon, Jr. 70/58
4,157,190	A	6/1979 Nyman	5,755,452	A	5/1998 Tambornino
D252,377	S	7/1979 Mallory et al.	5,775,139	A	7/1998 Sellers
4,168,847	A	9/1979 Westphal	5,785,341	A	7/1998 Fenton
4,184,558	A	1/1980 deBuhr et al.	5,788,258	A	8/1998 Gill et al.
4,186,940	A	2/1980 Pillars	D397,657	S	9/1998 Lindenman et al.
4,215,876	A	8/1980 Jacks	D399,804	S	10/1998 Lindenman et al.
4,248,451	A	2/1981 Usinger	5,823,560	A	10/1998 Van Vleet
4,256,324	A	3/1981 Hamilton	D401,542	S	11/1998 Lindenman et al.
4,348,035	A	9/1982 Wasservogel	5,836,603	A	11/1998 Logan et al.
4,373,847	A	2/1983 Hipp et al.	5,853,186	A	12/1998 Gentner et al.
4,523,338	A	6/1985 May	5,860,671	A	1/1999 Mackeown
4,540,194	A	9/1985 Dane	D406,086	S	2/1999 Lindenman et al.
4,564,209	A	1/1986 Kingsley et al.	5,873,271	A	2/1999 Smith
4,570,966	A	2/1986 Giboney et al.	5,888,015	A	3/1999 Brown et al.
4,580,806	A	4/1986 Kolstad et al.	5,906,387	A	5/1999 Wallace
4,632,371	A	12/1986 Wirges et al.	5,937,679	A	8/1999 Villalon, Jr.
4,657,274	A	4/1987 Mann et al.	5,947,506	A	9/1999 Bauer
4,662,647	A	5/1987 Calvert	5,956,980	A	9/1999 Jenkins, Jr.
4,711,106	A	12/1987 Johnson	5,971,418	A	10/1999 Lindenman et al.
4,730,841	A	3/1988 Ponder	5,975,553	A	11/1999 Van Vleet
4,778,196	A	10/1988 Spoliansky	5,987,938	A	11/1999 Frei
4,832,358	A	5/1989 Bull	6,062,583	A	5/2000 Lauricella, Jr.
4,887,831	A	12/1989 Edwards	6,070,441	A	6/2000 Bernstrom
4,906,015	A	3/1990 LaCroix et al.	6,095,545	A	8/2000 Bol, III et al.
4,921,266	A	5/1990 Beals	6,116,631	A	9/2000 Logan et al.
4,925,205	A	5/1990 Villalon et al.	6,155,589	A	12/2000 Simpson
4,929,028	A	5/1990 Underwood	6,170,849	B1	1/2001 McCall
5,013,060	A	5/1991 Van Andel et al.	6,170,852	B1	1/2001 Kimbrough
5,016,898	A	5/1991 Works et al.	6,199,890	B1	3/2001 Lindenman et al.
5,018,759	A	5/1991 Villalon et al.	6,202,453	B1	3/2001 Disher et al.
D317,426	S	6/1991 Lytle	6,234,509	B1	5/2001 Lara
5,028,067	A	7/1991 Madura	D443,567	S *	6/2001 Weir et al. D12/162
5,080,519	A	1/1992 Chi	6,244,080	B1	6/2001 Sakurai
5,104,138	A	4/1992 Allen	6,264,229	B1	7/2001 Gill
5,125,679	A	6/1992 Delano	D457,113	S *	5/2002 Zapushek et al. D12/162
5,133,572	A	7/1992 Polito	6,382,336	B1	5/2002 Smith
5,143,393	A	9/1992 Meyer	6,409,202	B1	6/2002 Putnam
5,209,316	A	5/1993 Bauer	6,447,000	B1	9/2002 Dick et al.
5,226,675	A	7/1993 Noah et al.	D466,952	S *	12/2002 Allshouse et al. D21/397
5,246,244	A	9/1993 Colibert	6,533,308	B1	3/2003 Tambornino
5,263,735	A	11/1993 Mann	6,572,124	B2	6/2003 Misna et al.
5,284,038	A	2/1994 Johnson	6,581,951	B2	6/2003 Lange

US D686,953 S

Page 3

6,746,037	B1	6/2004	Kaplenski et al.	2004/0239074	A1	12/2004	Lindenman et al.
D512,349	S *	12/2005	Stubblefield D12/162	2008/0292390	A1	11/2008	Walstrom et al.
6,976,695	B1	12/2005	Smith, III	2012/0211965	A1	8/2012	Drake et al.
7,552,937	B1	6/2009	Taylor	2012/0211966	A1	8/2012	Drake et al.
2003/0047908	A1	3/2003	Lara				
2004/0195801	A1	10/2004	Lara				

* cited by examiner

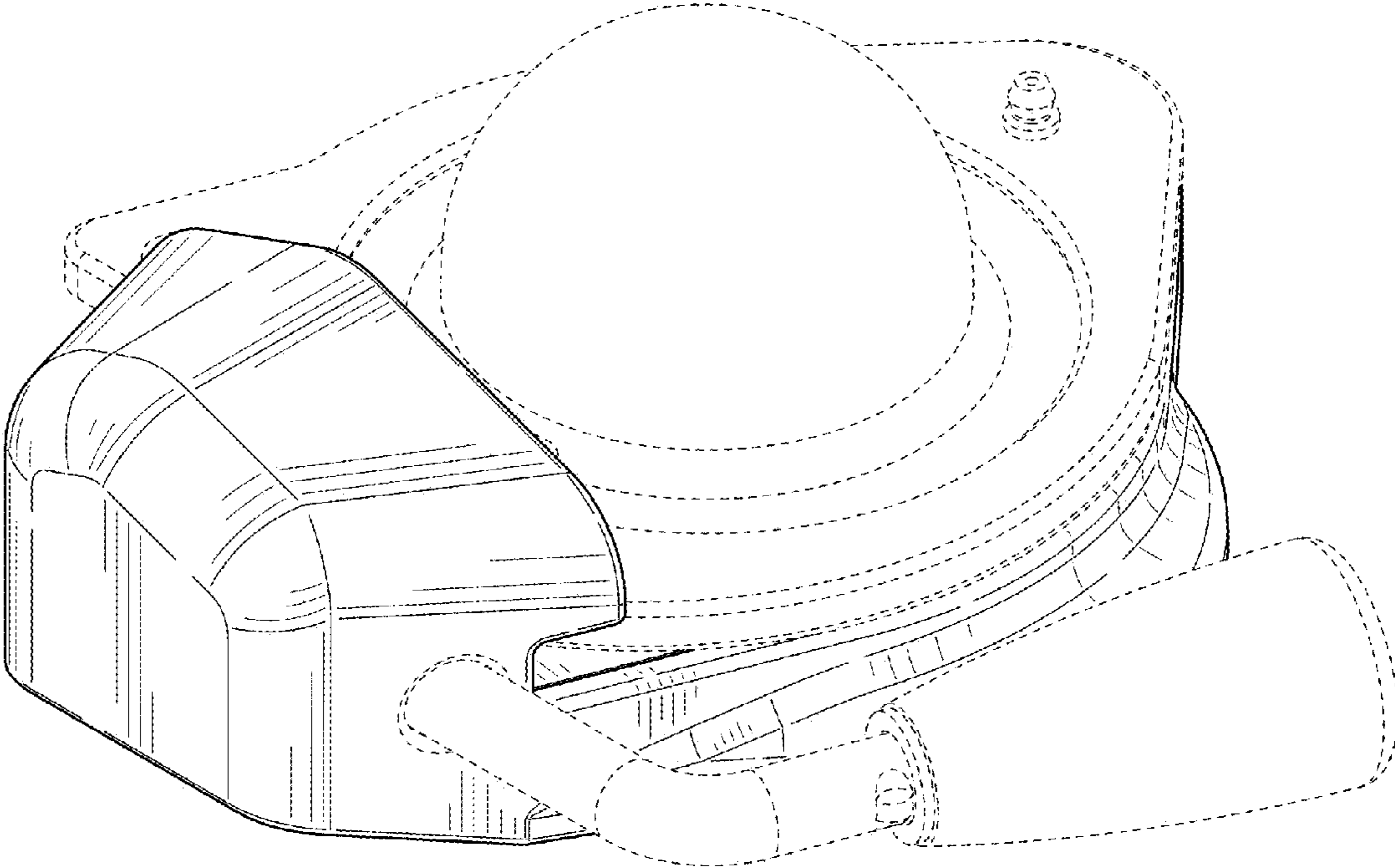


FIG. 1

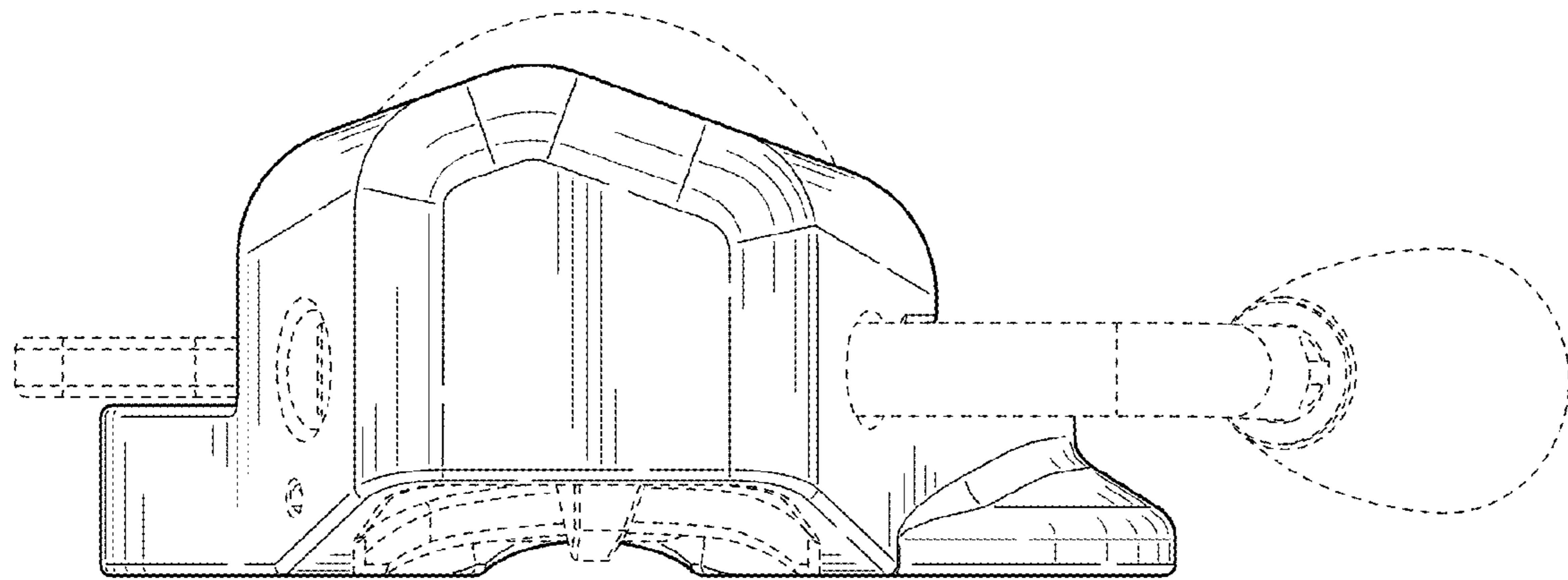


FIG. 2

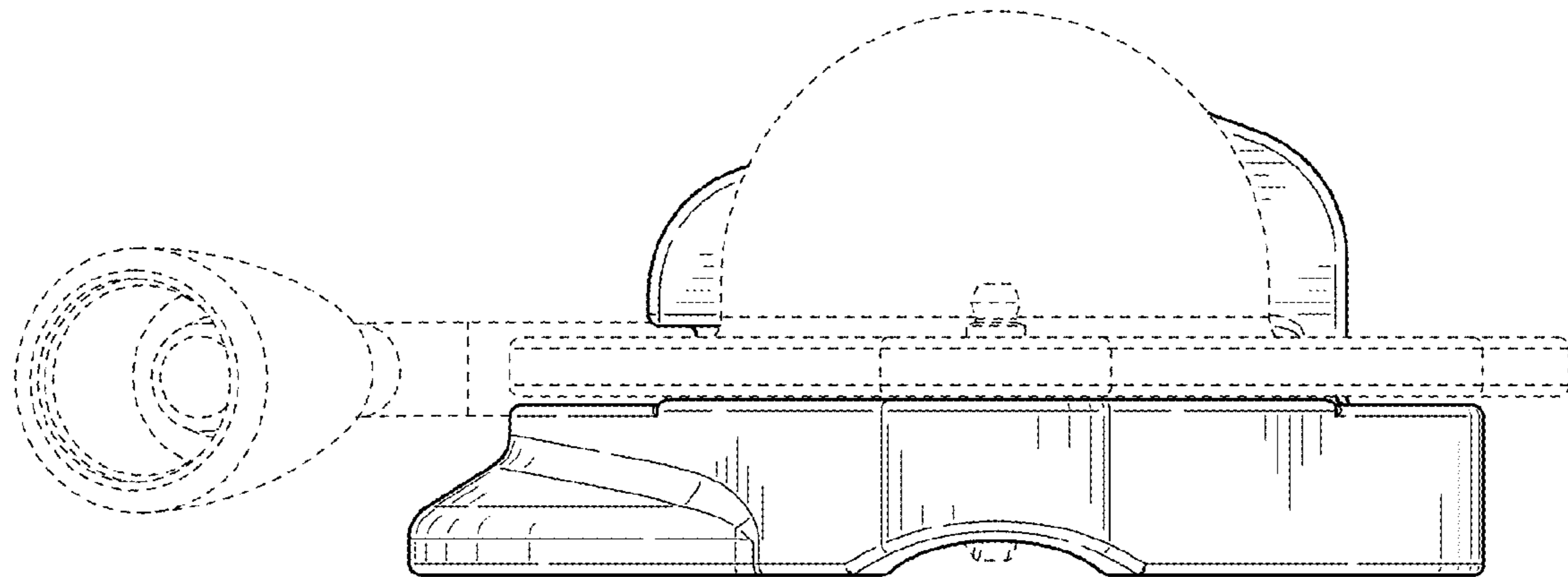


FIG. 3

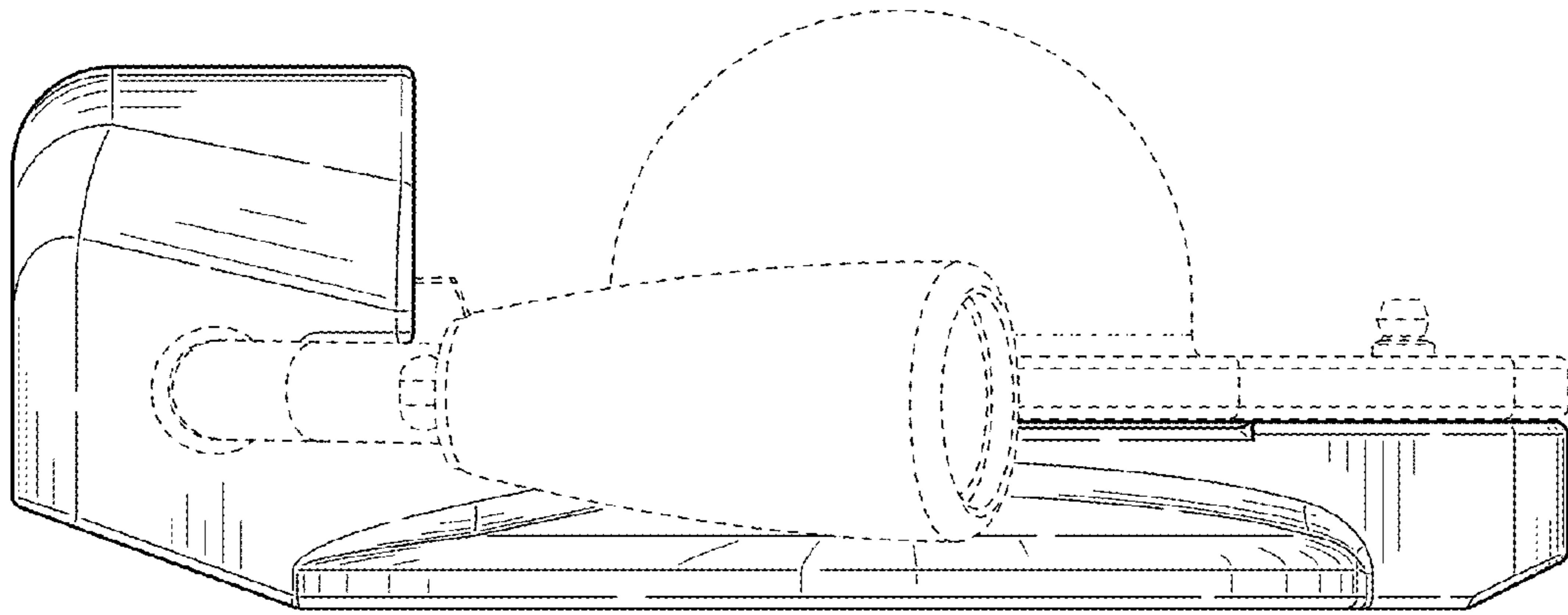


FIG. 4

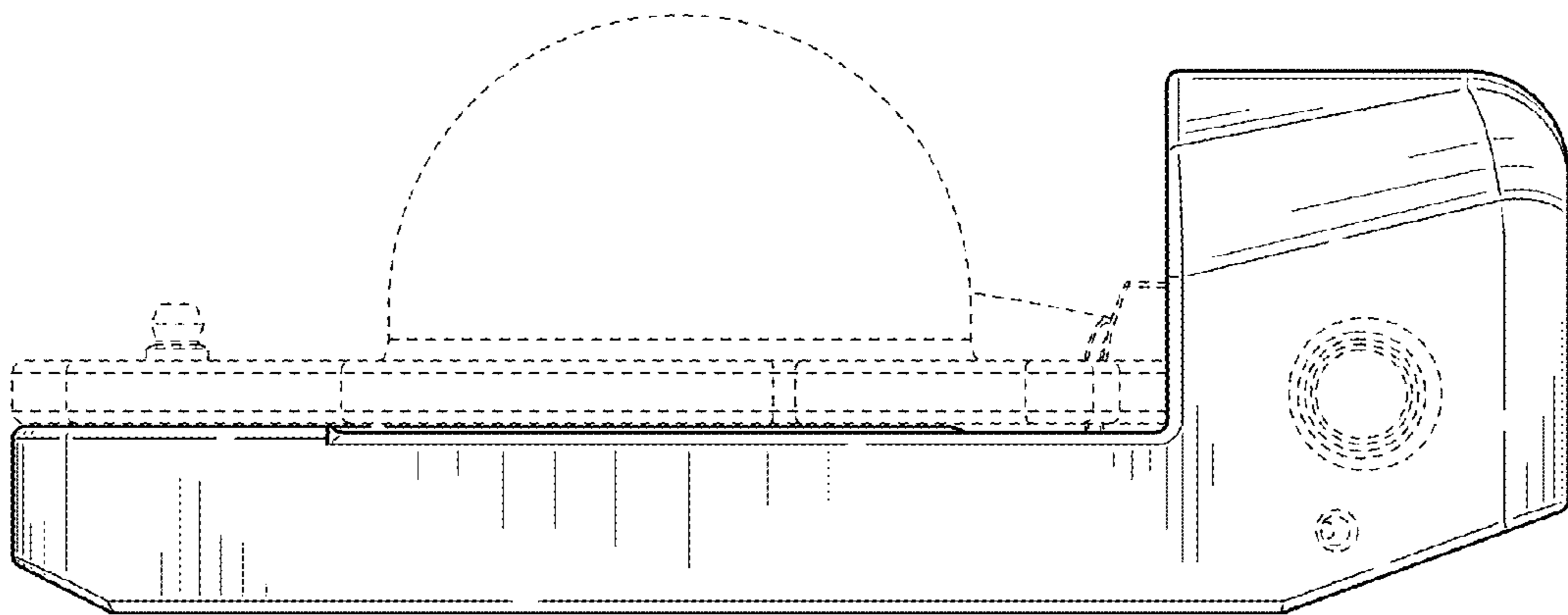


FIG. 5

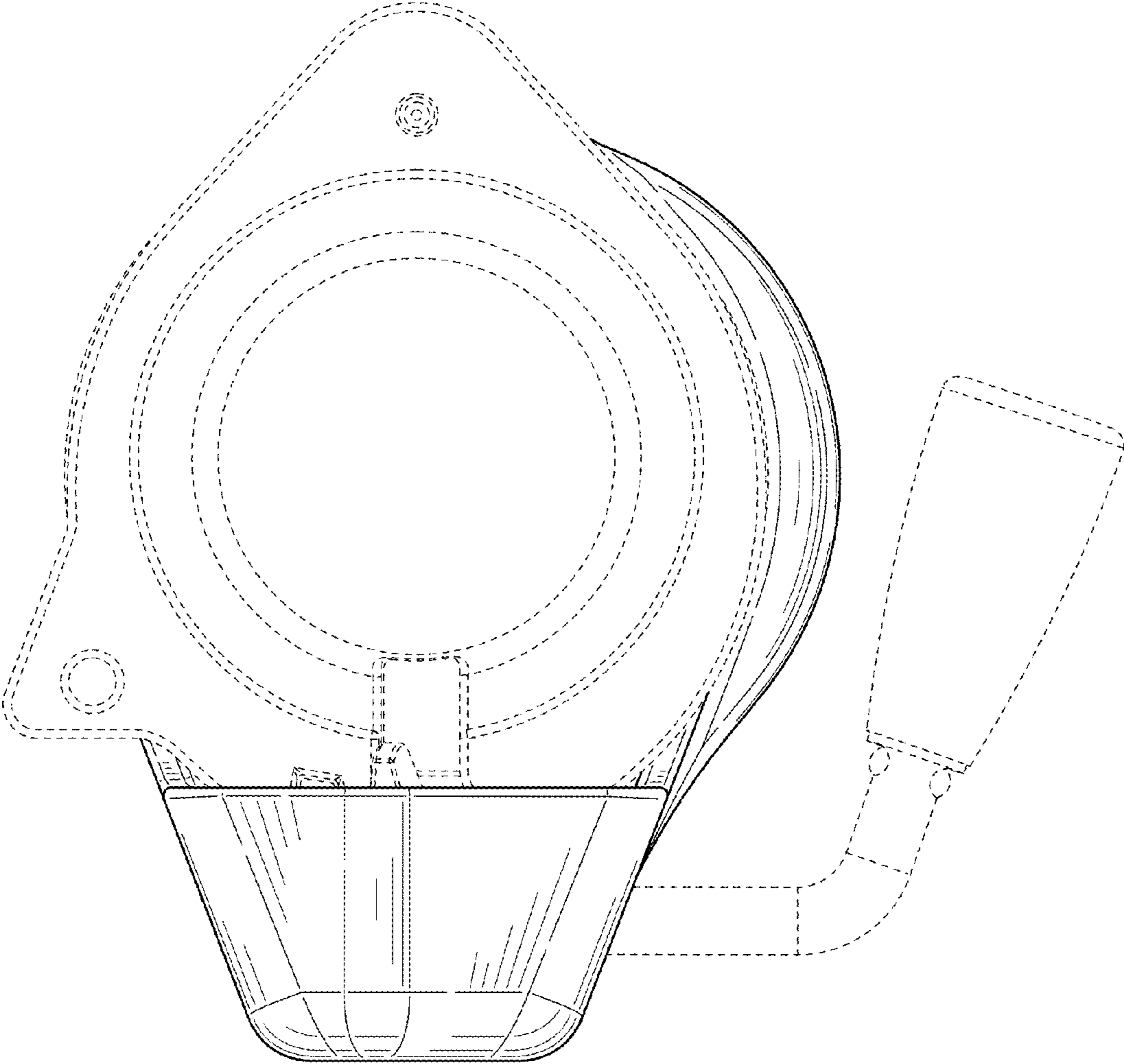


FIG. 6

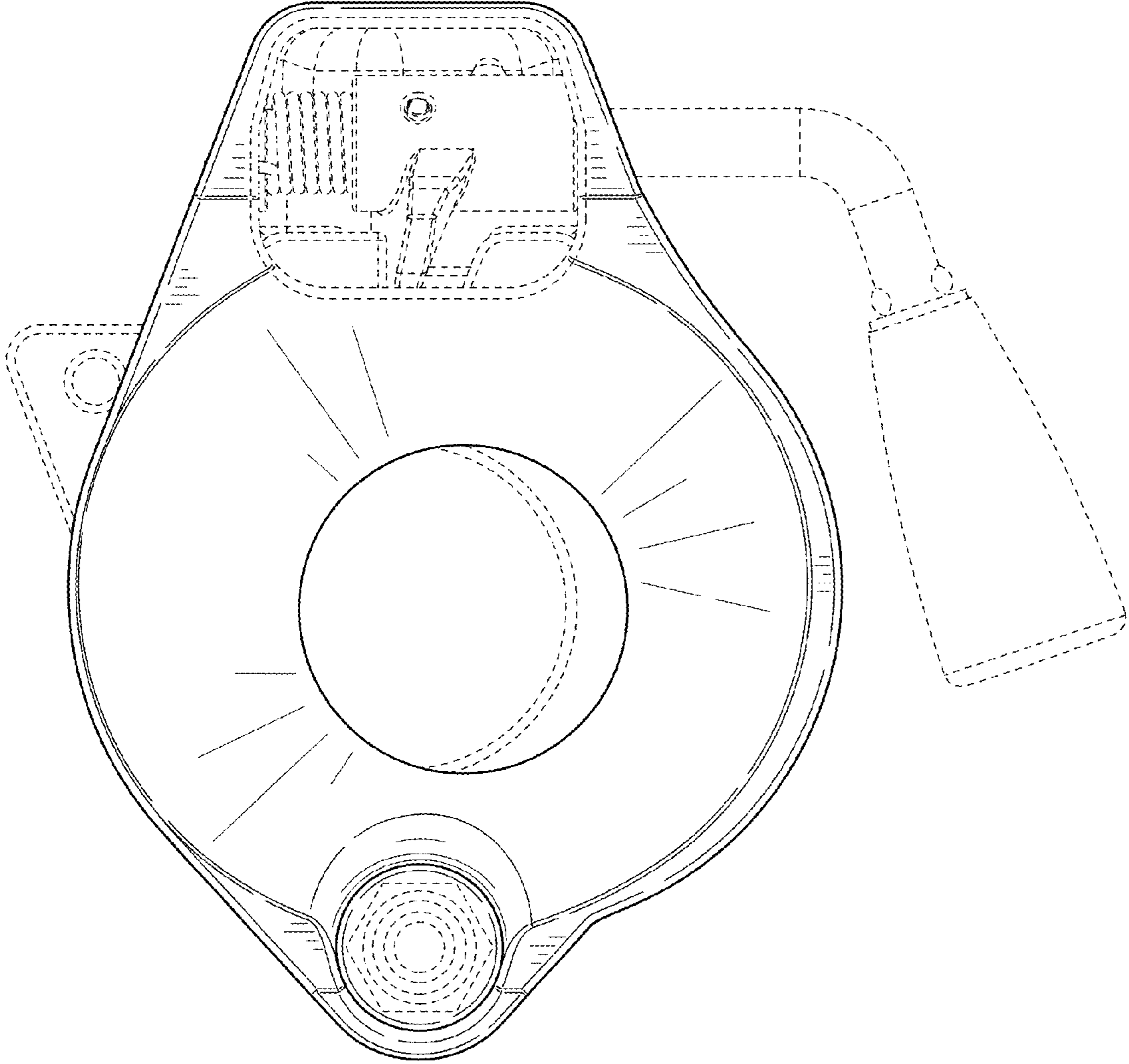


FIG. 7

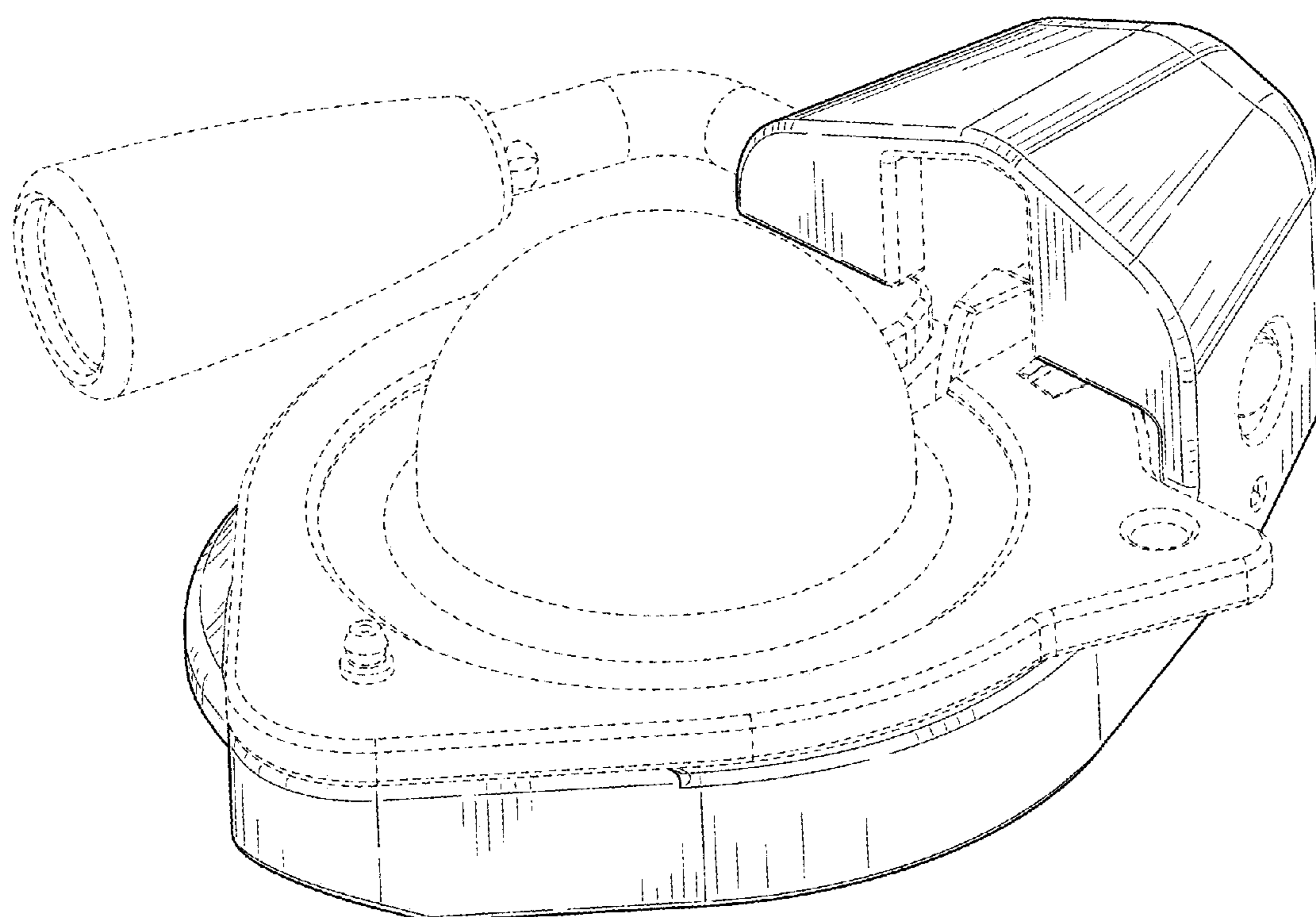


FIG. 8