



US00D686952S

(12) **United States Design Patent**  
**Rau et al.**

(10) **Patent No.:** **US D686,952 S**  
(45) **Date of Patent:** **\*\* Jul. 30, 2013**

(54) **PIVOT BEARING**

(75) Inventors: **Guido Rau**, Radolfzell (DE); **Stefan Hess**, Buesingen (DE); **Dominik Mahnig**, Schaffhausen (CH)

(73) Assignee: **Georg Fischer Automotive AG**, Schaffhausen (CH)

(\*\*) Term: **14 Years**

(21) Appl. No.: **29/419,559**

(22) Filed: **Apr. 30, 2012**

(30) **Foreign Application Priority Data**

Nov. 2, 2011 (WO) ..... DM/077 023

(51) **LOC (9) Cl.** ..... **12-16**

(52) **U.S. Cl.**  
USPC ..... **D12/160**

(58) **Field of Classification Search**  
USPC ..... D12/159-160; 280/11.225, 86.752;  
188/315-316, 298, 274, 281, 286, 297;  
293/134; 267/195; 279/2.01, 2.17; 403/223;  
384/246  
See application file for complete search history.

(56) **References Cited**

**U.S. PATENT DOCUMENTS**

D223,024 S \* 2/1972 Hudson ..... D12/159  
3,749,415 A \* 7/1973 Sampatacos ..... 280/124.136  
3,801,124 A \* 4/1974 Afanador et al. .... 280/93.512

3,852,872 A \* 12/1974 Afanador et al. .... 29/447  
4,618,159 A \* 10/1986 Kozyra et al. .... 280/93.512  
4,722,540 A \* 2/1988 Kozyra et al. .... 280/124.136  
D344,254 S \* 2/1994 Zimmerman ..... D12/159  
6,394,472 B1 \* 5/2002 Graf et al. .... 280/93.512  
6,729,633 B1 \* 5/2004 Irwin ..... 280/86.75  
D504,363 S \* 4/2005 McGaughy ..... D12/160  
D605,985 S \* 12/2009 Pennala ..... D12/160  
D612,304 S \* 3/2010 Mahnig et al. .... D12/160  
2004/0108674 A1 \* 6/2004 McGaughy ..... 280/93.512  
2005/0051985 A1 \* 3/2005 Kim ..... 280/93.512  
2005/0057015 A1 \* 3/2005 Frantzen et al. .... 280/124.144  
2005/0242540 A1 \* 11/2005 Gottschalk ..... 280/93.512  
2006/0096096 A1 \* 5/2006 Sadanowicz et al. .... 29/894.361  
2006/0096097 A1 \* 5/2006 Sadanowicz et al. .... 29/894.362  
2008/0129106 A1 \* 6/2008 Brinker et al. .... 301/105.1  
2008/0284122 A1 \* 11/2008 Kwon ..... 280/93.511

\* cited by examiner

*Primary Examiner* — Michael A Pratt

(74) *Attorney, Agent, or Firm* — Bachman & LaPointe, P.C.

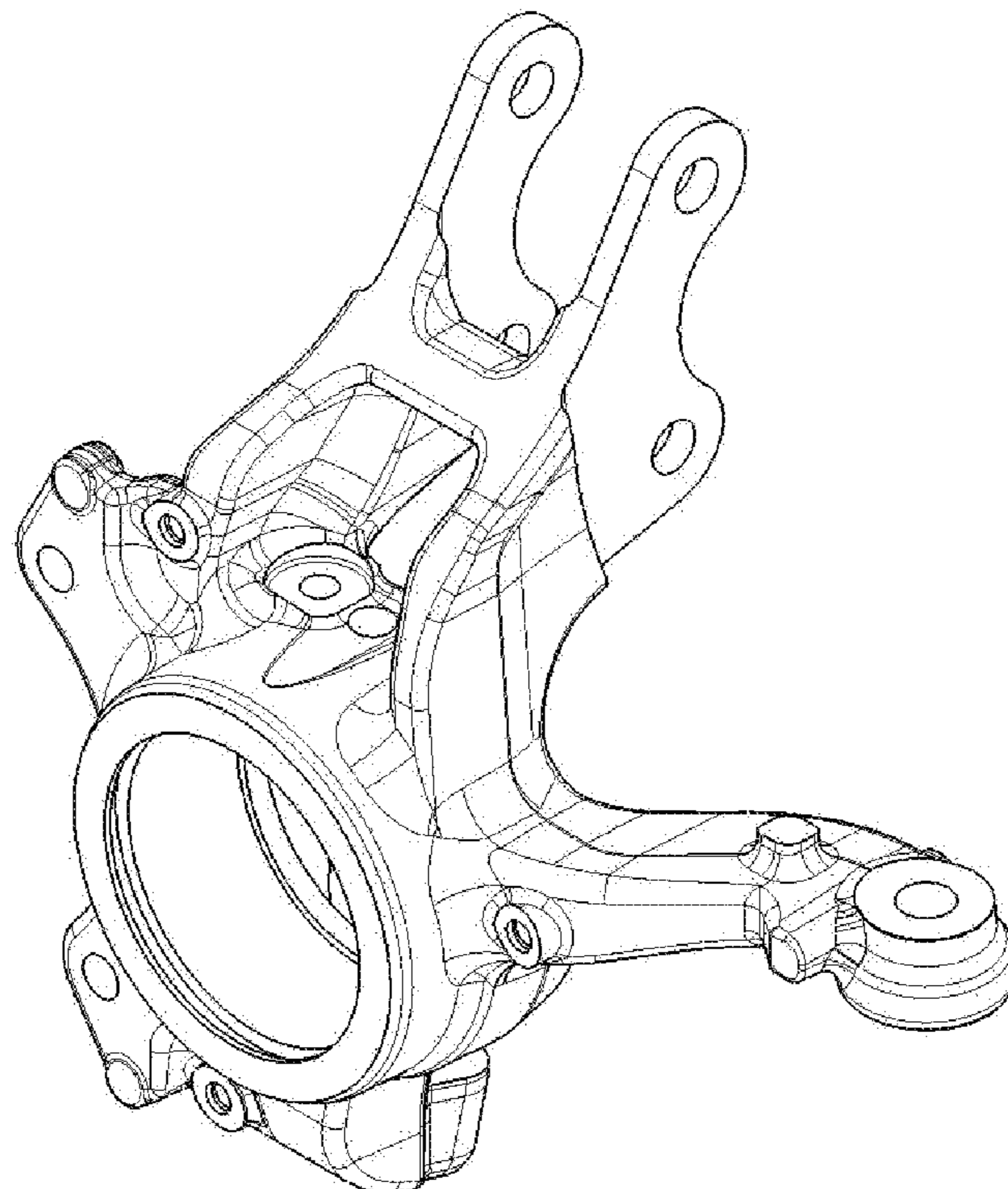
(57) **CLAIM**

The ornamental design for a pivot bearing, as shown.

**DESCRIPTION**

FIG. 1 is a perspective view of the pivot bearing.  
FIG. 2 is top view of the pivot bearing of FIG. 1.  
FIG. 3 is a bottom view of the pivot bearing of FIG. 1.  
FIG. 4 is a left side view of the pivot bearing of FIG. 1.  
FIG. 5 is a right side view of the pivot bearing of FIG. 1.  
FIG. 6 is a front view of the pivot bearing of FIG. 1; and,  
FIG. 7 is a rear view of the pivot bearing of FIG. 1.

**1 Claim, 7 Drawing Sheets**



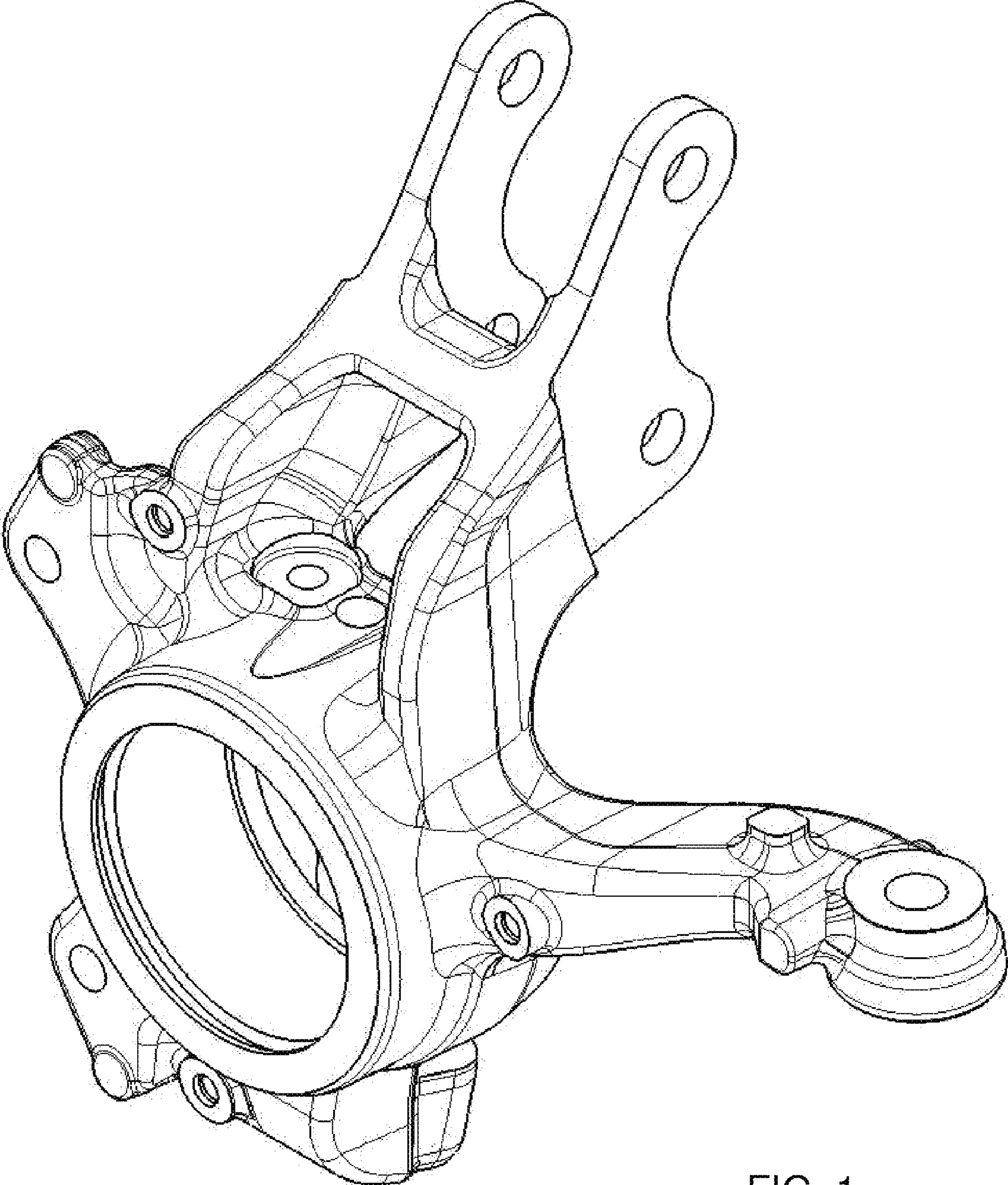


FIG. 1

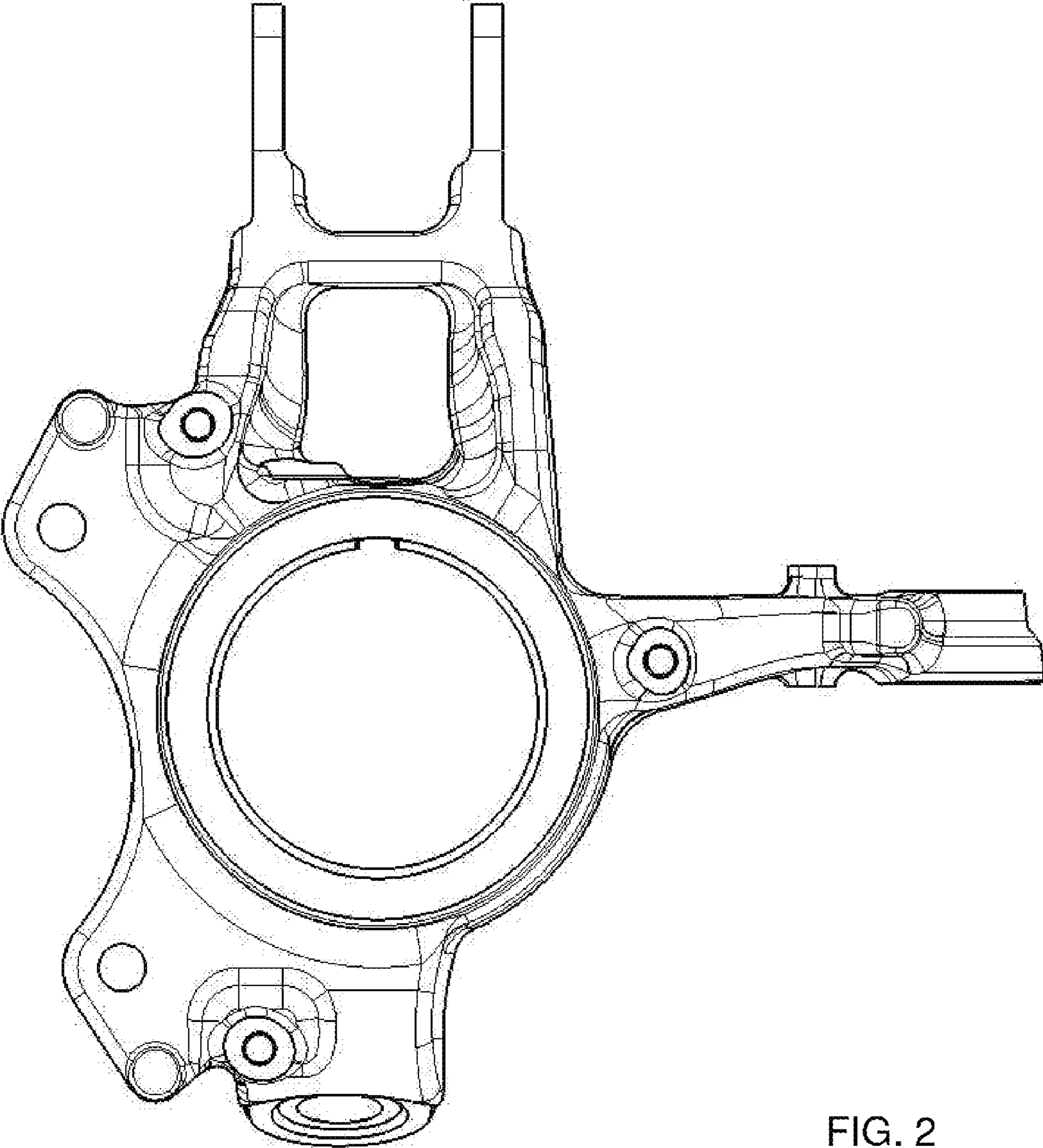


FIG. 2

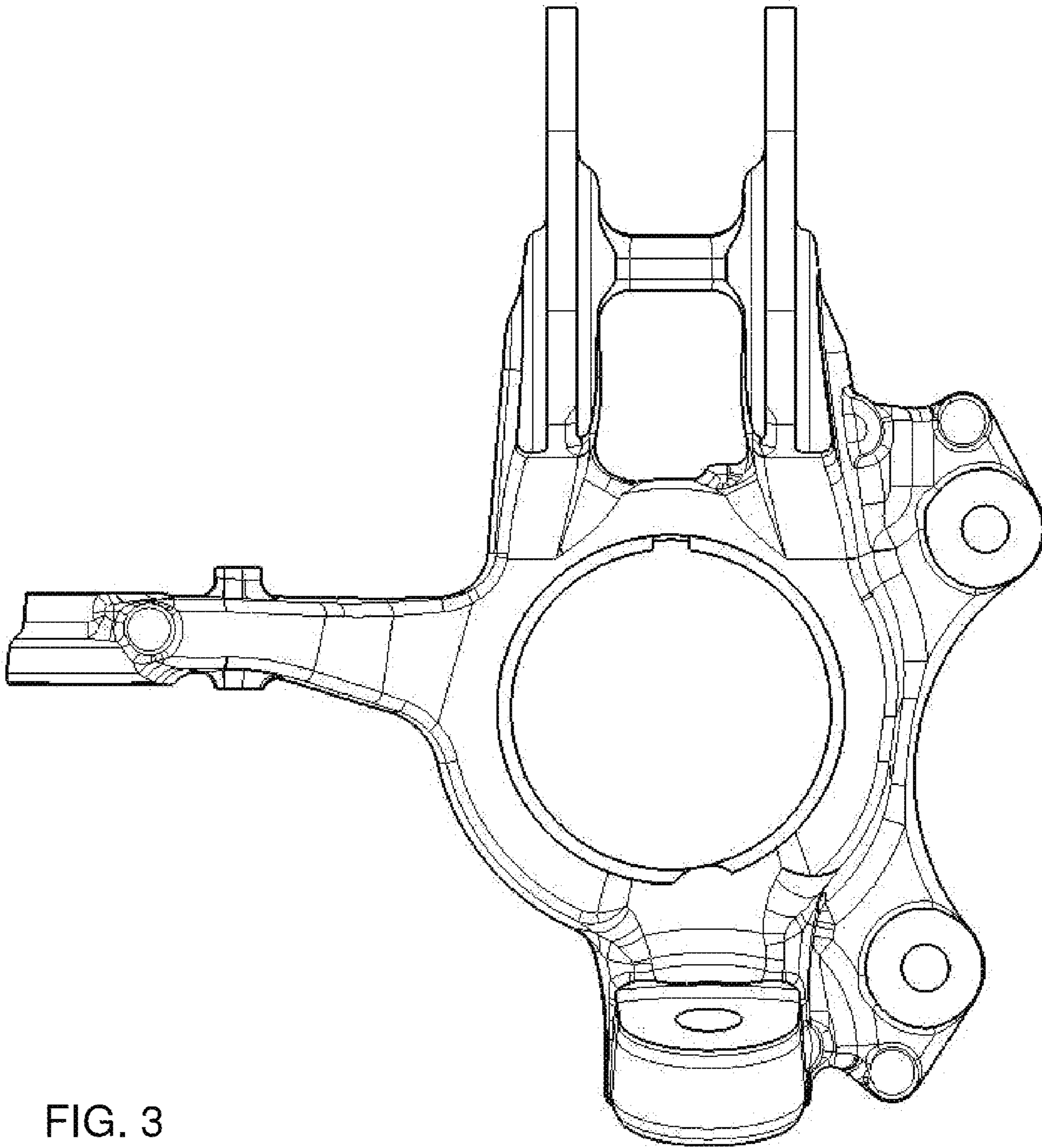


FIG. 3

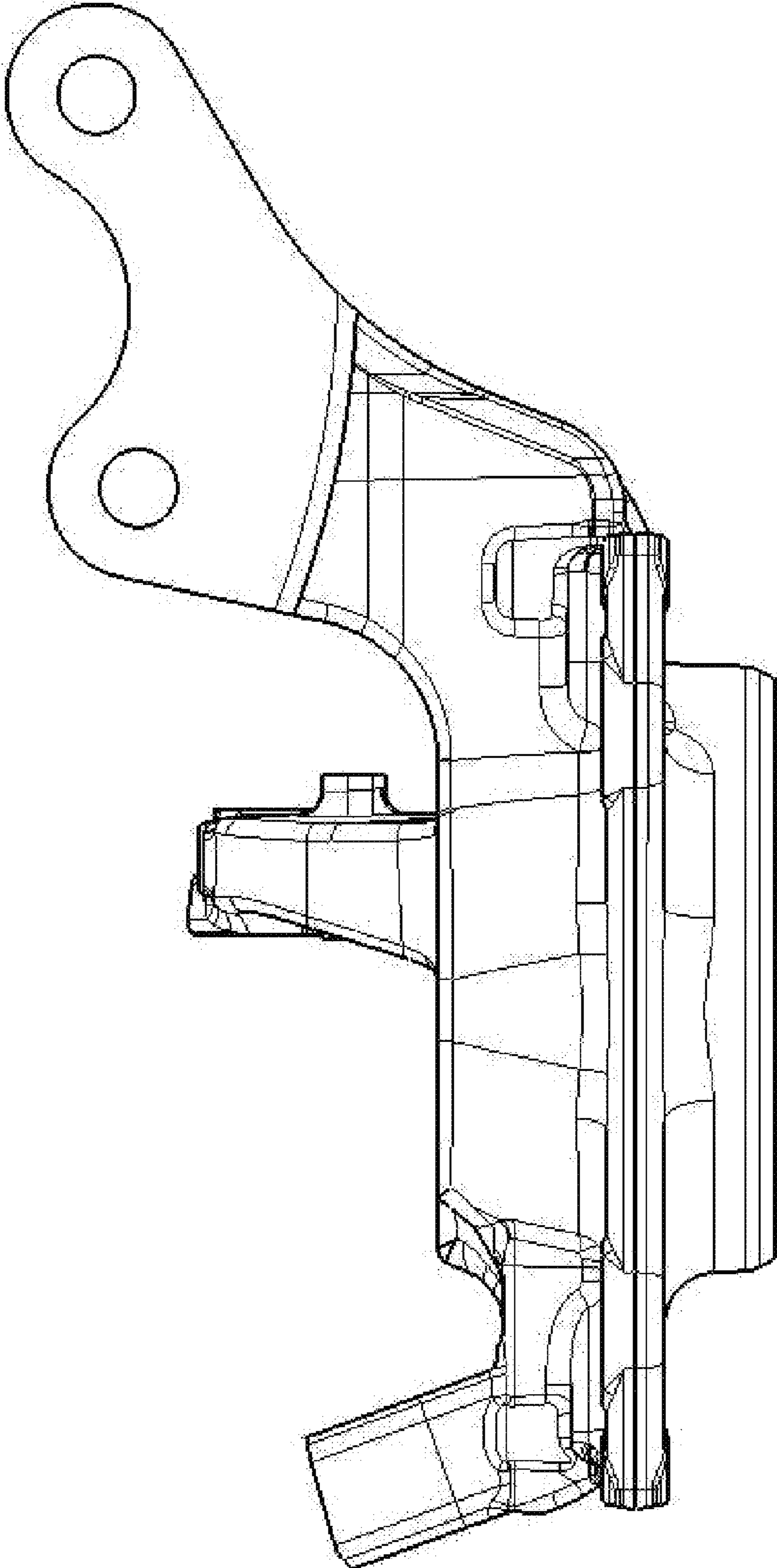


FIG. 4

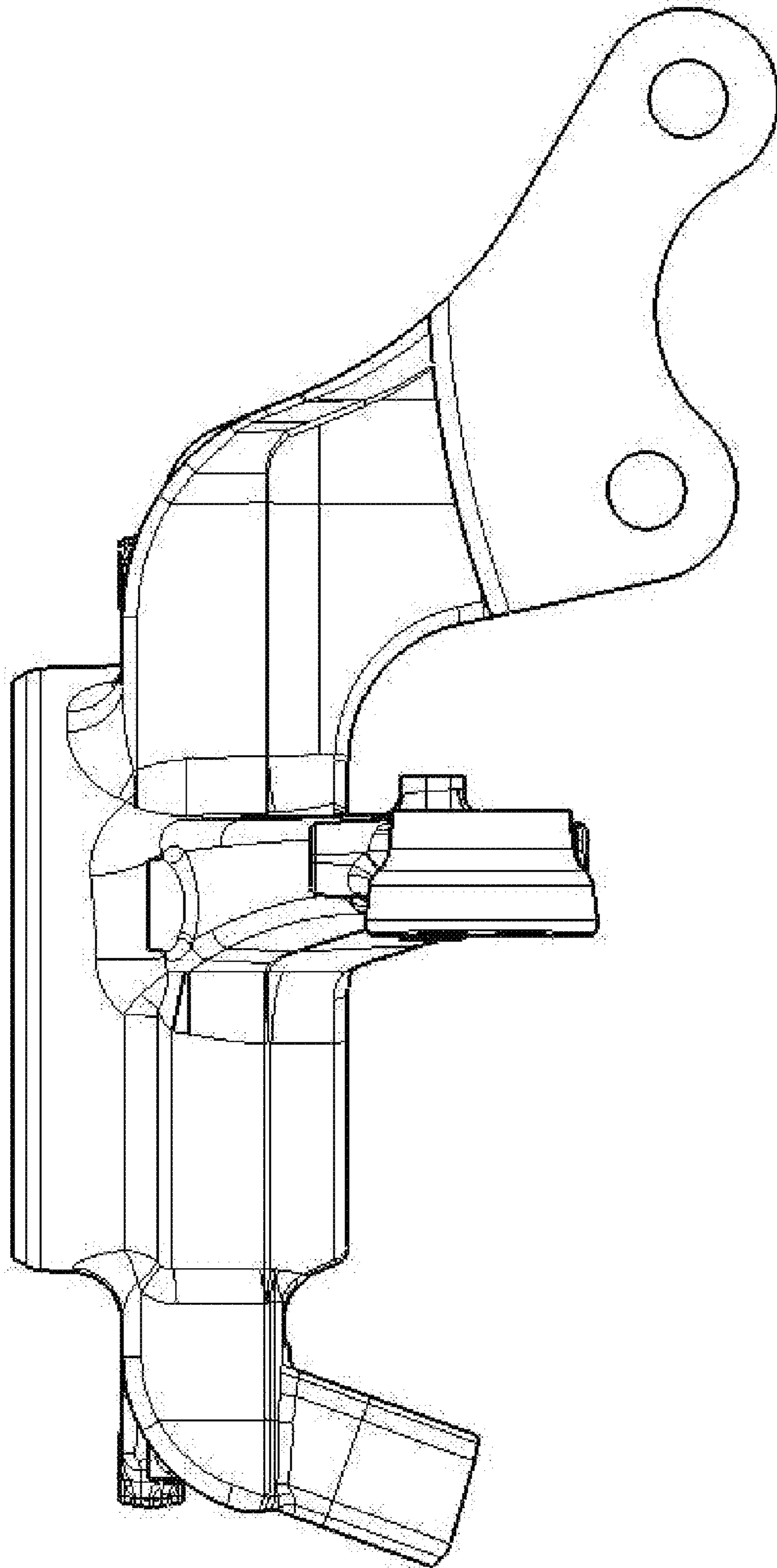


FIG. 5

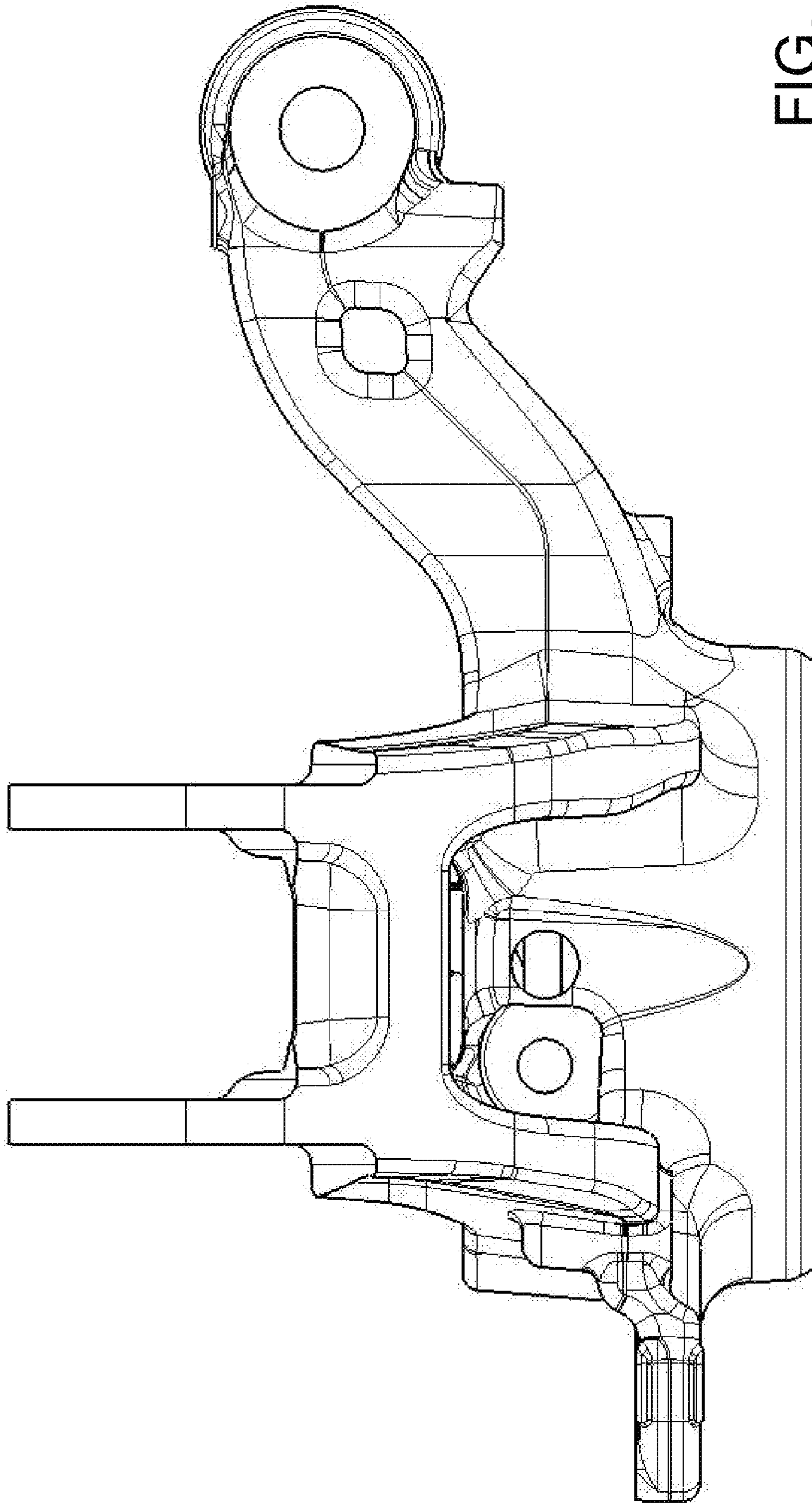


FIG. 6

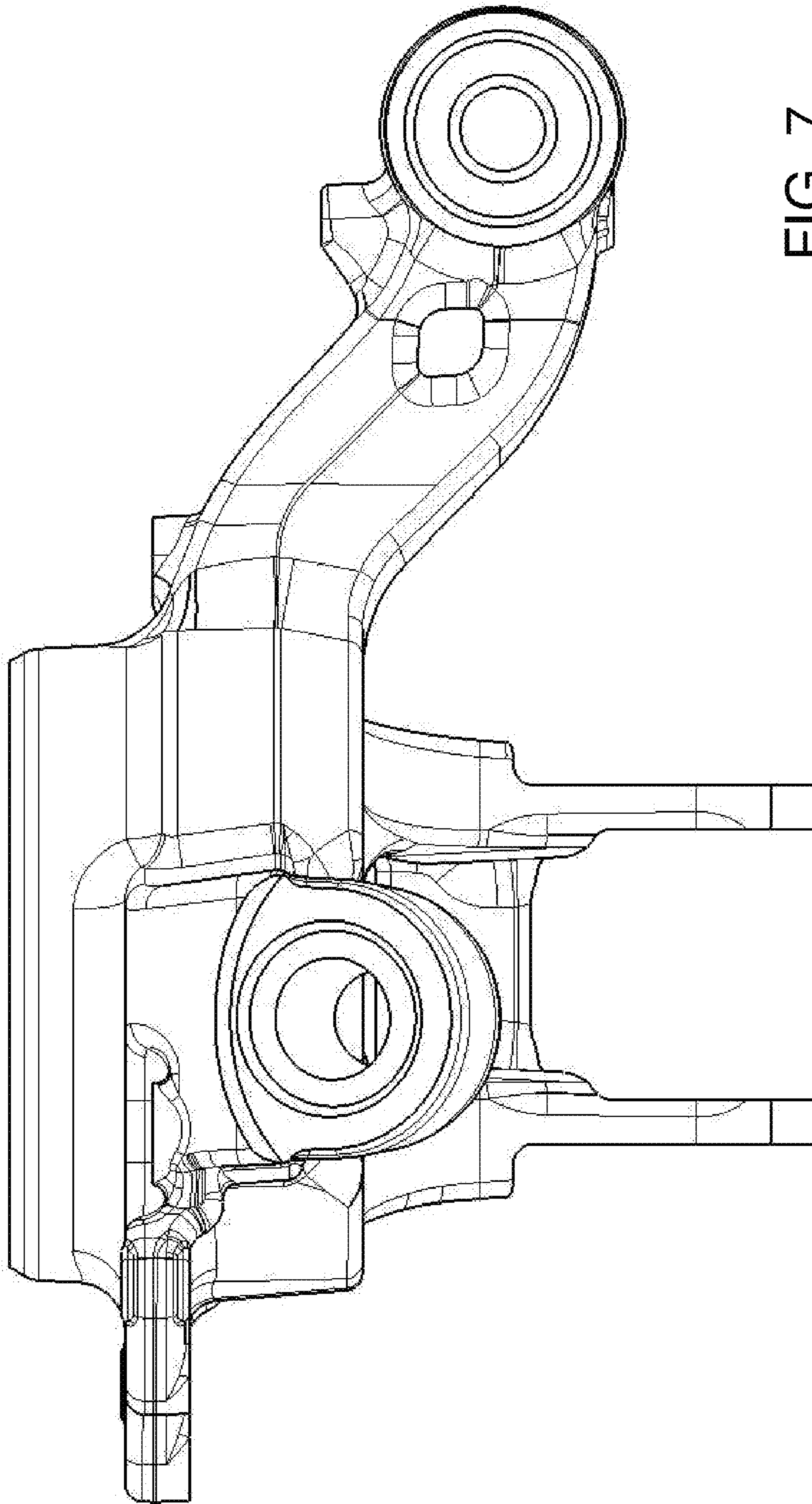


FIG. 7