



US00D686951S

(12) **United States Design Patent**
Stroud

(10) **Patent No.:** **US D686,951 S**
(45) **Date of Patent:** **** Jul. 30, 2013**

- (54) **VEHICLE ALIGNMENT AND SUSPENSION ADJUSTER**
- (76) Inventor: **Bodie Stroud**, Sun Valley, CA (US)
- (**) Term: **14 Years**
- (21) Appl. No.: **29/418,298**
- (22) Filed: **Apr. 13, 2012**
- (51) **LOC (9) Cl.** **12-16**
- (52) **U.S. Cl.**
USPC **D12/159**
- (58) **Field of Classification Search**
USPC D12/159; 280/5.52, 5.521, 5.522,
280/86.75, 86.751, 86.752, 86.753, 86.754,
280/86.755, FOR. 112; 81/10, 65, 65.2, 75,
81/170, 173, 175, 176.1, 176.15, 176.2, 176.3;
411/167, 190, 209, 397; 74/127
See application file for complete search history.

7,111,849	B2 *	9/2006	Yun	280/5.52
7,125,026	B2	10/2006	Genick, II		
D532,178	S	11/2006	Martin		
7,210,692	B2 *	5/2007	Galazin	280/86.75
D548,580	S	8/2007	Burger		
D590,703	S	4/2009	Suehiro et al.		
7,568,711	B2 *	8/2009	Houser et al.	280/86.756
7,771,126	B2 *	8/2010	Faass et al.	384/535
7,850,178	B2	12/2010	Fischer et al.		
8,136,428	B2 *	3/2012	Engelbrecht	81/125
8,398,092	B2 *	3/2013	Lee et al.	280/5.507
2008/0201890	A1 *	8/2008	Boos	15/250.31

* cited by examiner

Primary Examiner — Michael A Pratt
(74) *Attorney, Agent, or Firm* — QuickPatents; Kevin Prince

(57) **CLAIM**
I claim the ornamental design for a vehicle alignment and suspension adjuster, as shown and described.

DESCRIPTION

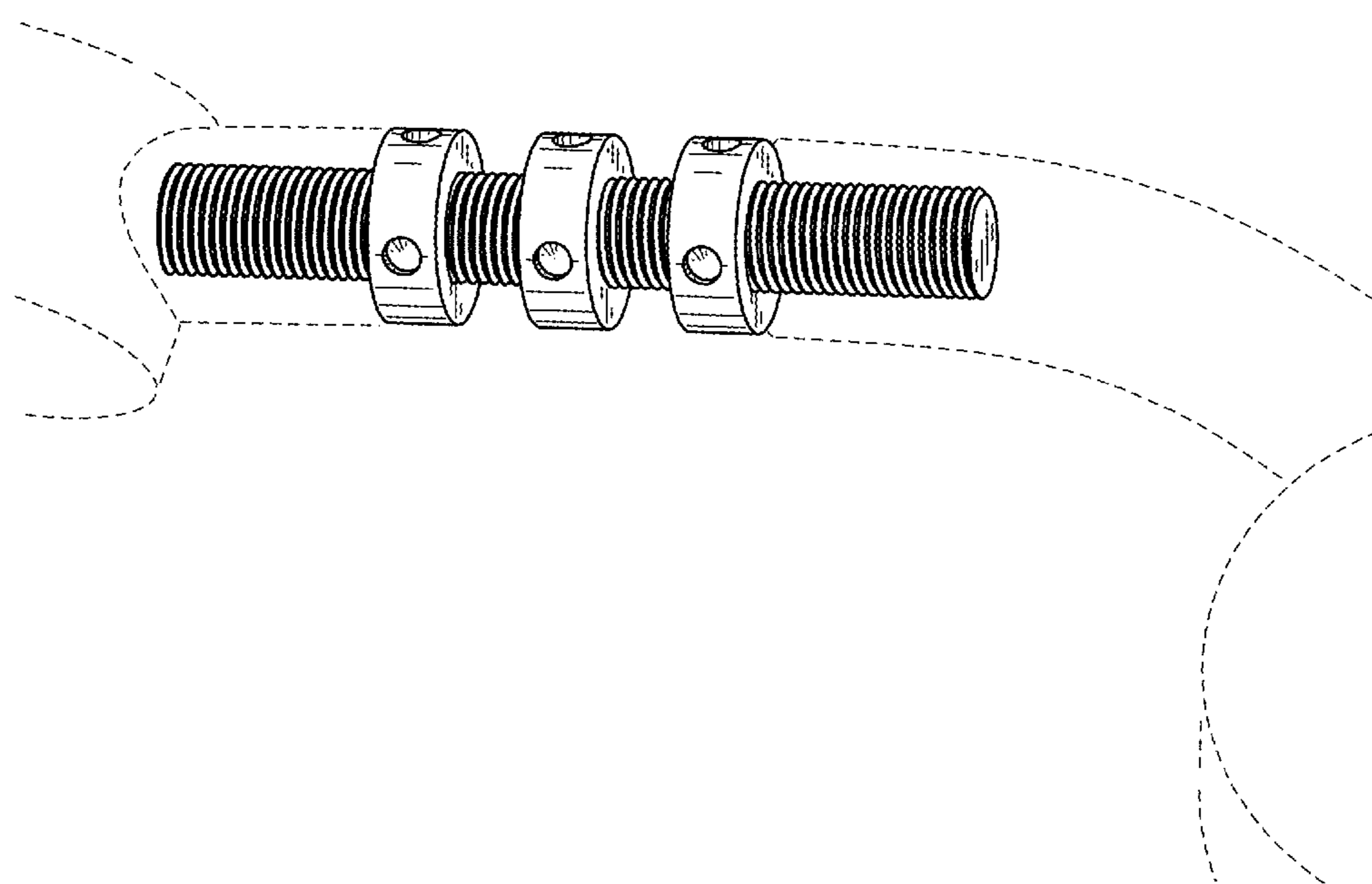
FIG. 1 is a perspective view of a vehicle alignment and suspension adjuster, showing my new design;
FIG. 2 is an exploded perspective view thereof;
FIG. 3 is a top plan view thereof, the bottom plan view being a mirror image thereof;
FIG. 4 is an exploded front elevational view thereof;
FIG. 5 is an exploded rear elevational view thereof;
FIG. 6 is an exploded left-side elevational view thereof; and,
FIG. 7 is an exploded right-side elevational view thereof.
The broken lines showing a vehicle suspension bracket in FIG. 1 depict environmental matter and form no part of the claimed design.

1 Claim, 3 Drawing Sheets

(56) **References Cited**

U.S. PATENT DOCUMENTS

186,229	A *	1/1877	Casterline	29/261
3,999,779	A *	12/1976	Bishop	280/5.521
4,267,896	A	5/1981	Hendriksen		
D280,285	S	8/1985	Miller et al.		
5,048,860	A *	9/1991	Kanai et al.	280/86.757
D320,915	S	10/1991	Sanguino		
5,104,141	A	4/1992	Grove et al.		
5,657,882	A *	8/1997	Johnson	211/68
5,779,260	A	7/1998	Reilly et al.		
5,894,769	A *	4/1999	Rogers et al.	81/484
6,095,017	A *	8/2000	Long	81/176.15
6,283,483	B1 *	9/2001	Johnson et al.	280/86.758
D451,773	S	12/2001	Stamback		
6,763,746	B2 *	7/2004	Bayer et al.	81/484



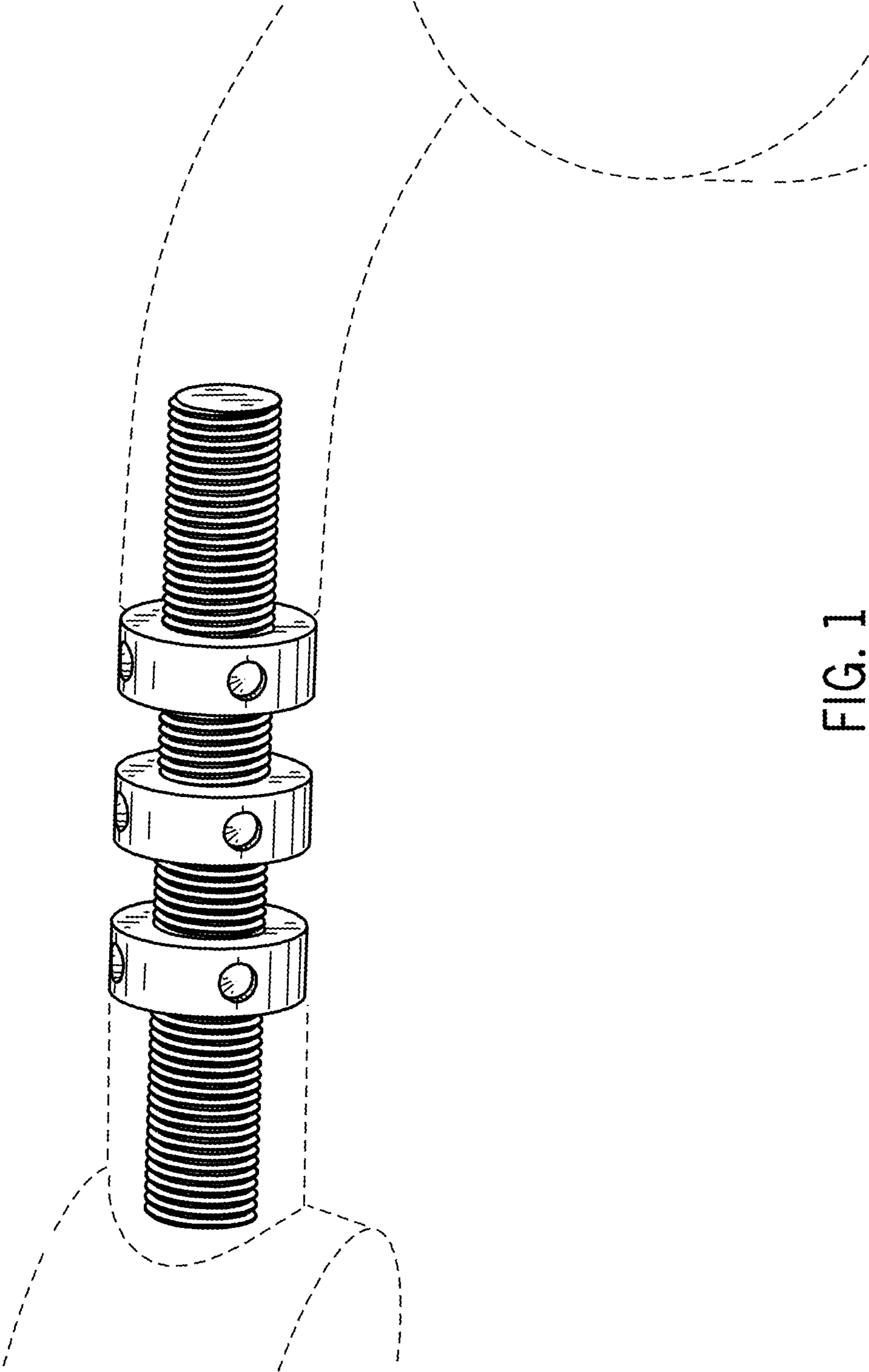
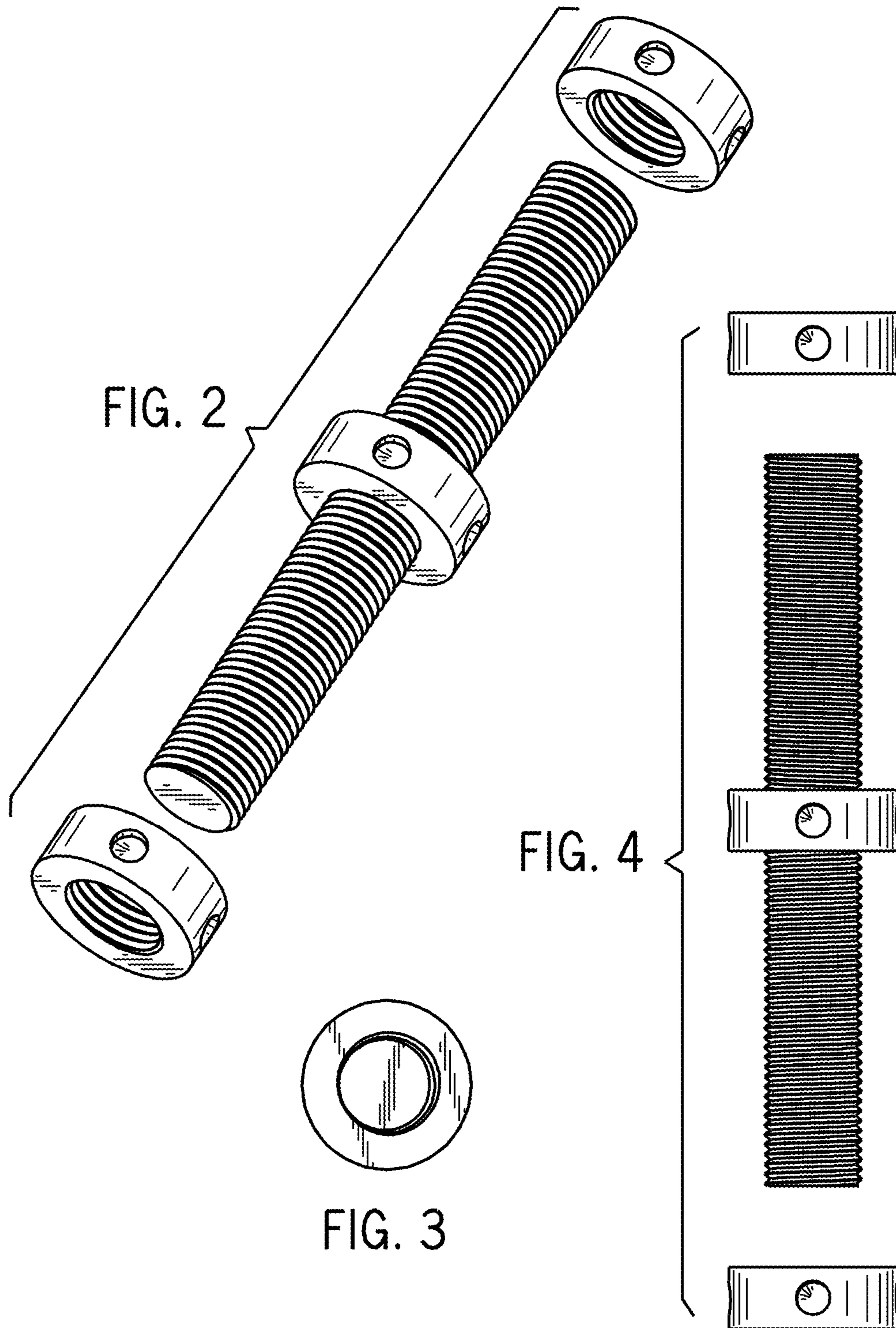


FIG. 1



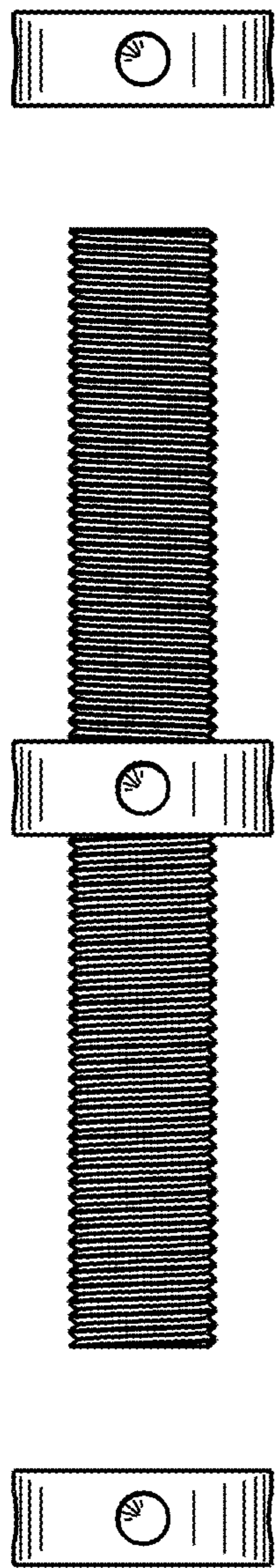


FIG. 5

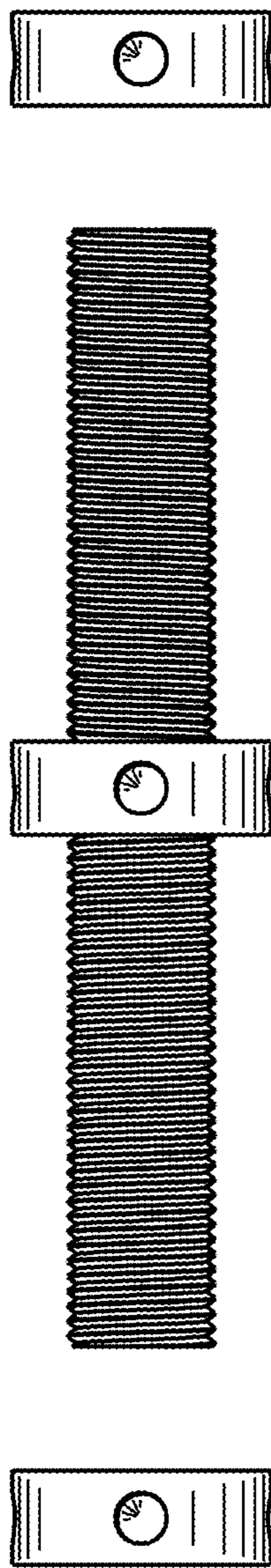


FIG. 6

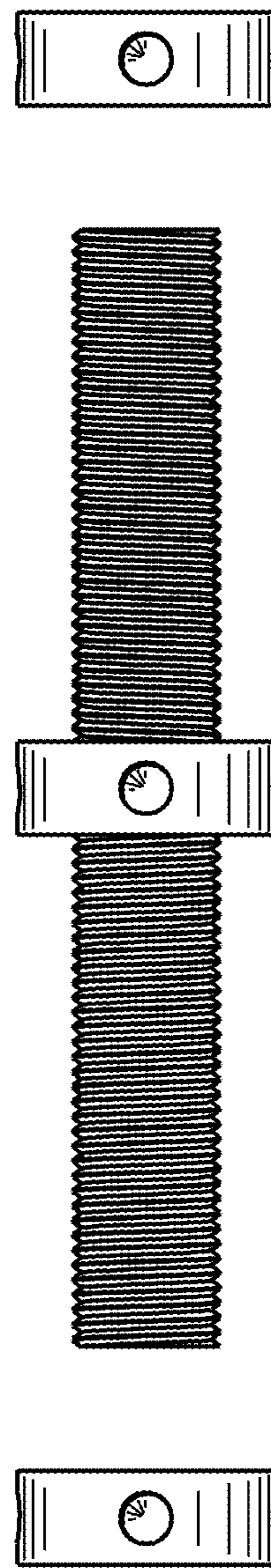


FIG. 7