



US00D686950S

(12) **United States Design Patent**
Lin

(10) **Patent No.:** **US D686,950 S**
(45) **Date of Patent:** **** Jul. 30, 2013**

(54) **BICYCLE FRAME**

(71) Applicant: **Chang Hui Lin**, Changhu (TW)

(72) Inventor: **Chang Hui Lin**, Changhu (TW)

(**) Term: **14 Years**

(21) Appl. No.: **29/450,402**

(22) Filed: **Mar. 18, 2013**

(51) **LOC (9) Cl.** **12-11**

(52) **U.S. Cl.**
USPC **D12/111**

(58) **Field of Classification Search**
USPC D12/111, 117; 280/274–280, 281.1,
280/283–288, 288.3, 288.1, 288.2, 288.4
See application file for complete search history.

(56) **References Cited**

U.S. PATENT DOCUMENTS

D26,899	S	*	4/1897	Gubelmann	D12/111
5,271,784	A	*	12/1993	Chen et al.	156/156
5,478,100	A	*	12/1995	McDermitt et al.	280/281.1
6,270,104	B1	*	8/2001	Nelson et al.	280/281.1
6,986,521	B1	*	1/2006	Li et al.	280/281.1

6,994,367	B2	*	2/2006	Mock et al.	280/288.1
7,114,738	B1	*	10/2006	Chen	280/281.1
7,374,191	B1	*	5/2008	Tseng	280/284
D637,527	S	*	5/2011	Choi et al.	D12/111
D667,347	S	*	9/2012	Simko	D12/111
2012/0169028	A1	*	7/2012	Lund et al.	280/281.1

* cited by examiner

Primary Examiner — Susan M Lee

Assistant Examiner — Linda Brooks

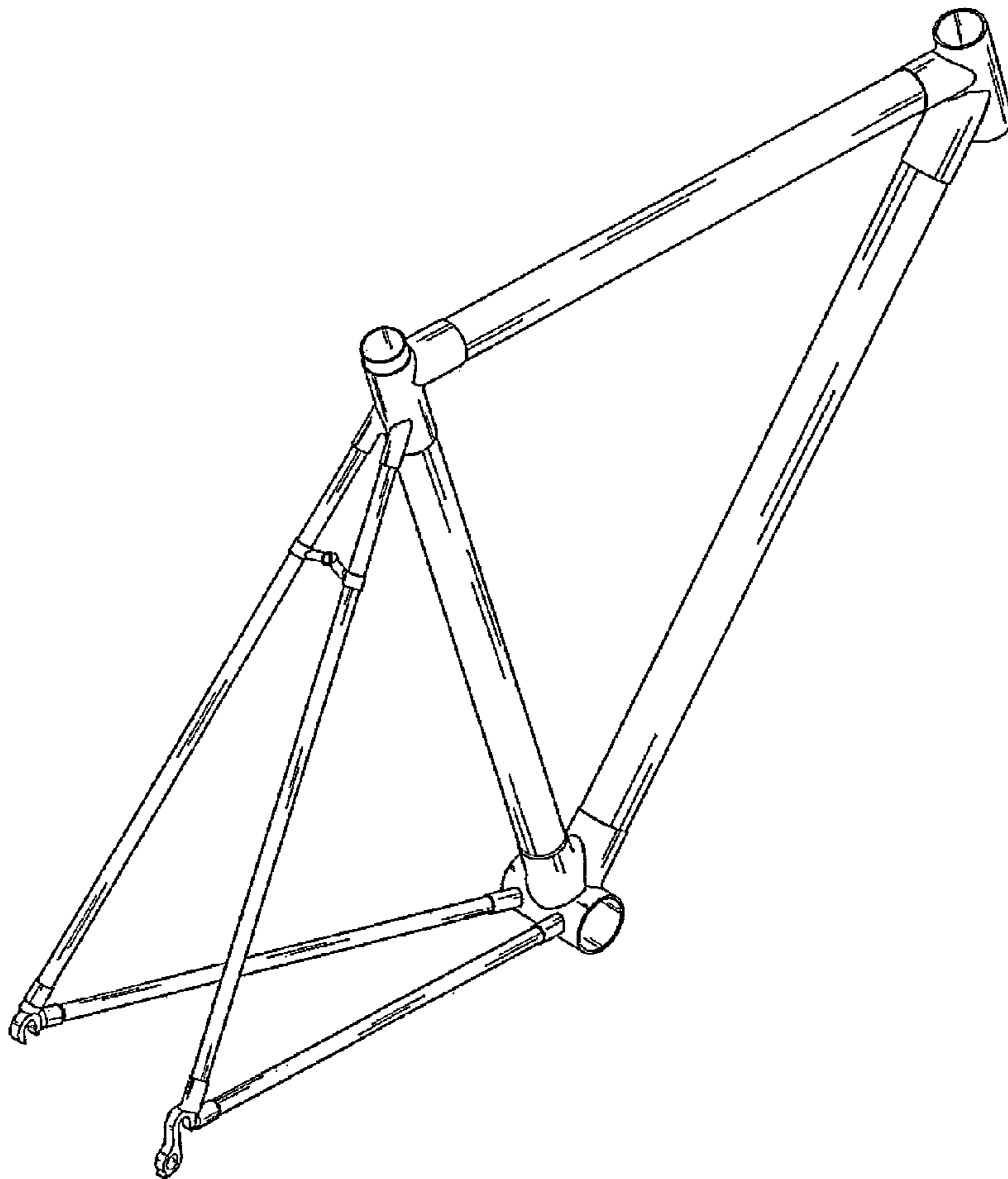
(57) **CLAIM**

The ornamental design for a bicycle frame, as shown and described.

DESCRIPTION

FIG. 1 is a perspective view of a bicycle frame showing my new design;
FIG. 2 is a front elevational view thereof;
FIG. 3 is a rear elevational view thereof;
FIG. 4 is a left side elevational view thereof;
FIG. 5 is a right side elevational view thereof;
FIG. 6 is a top plan view thereof; and,
FIG. 7 is a bottom plan view thereof.

1 Claim, 4 Drawing Sheets



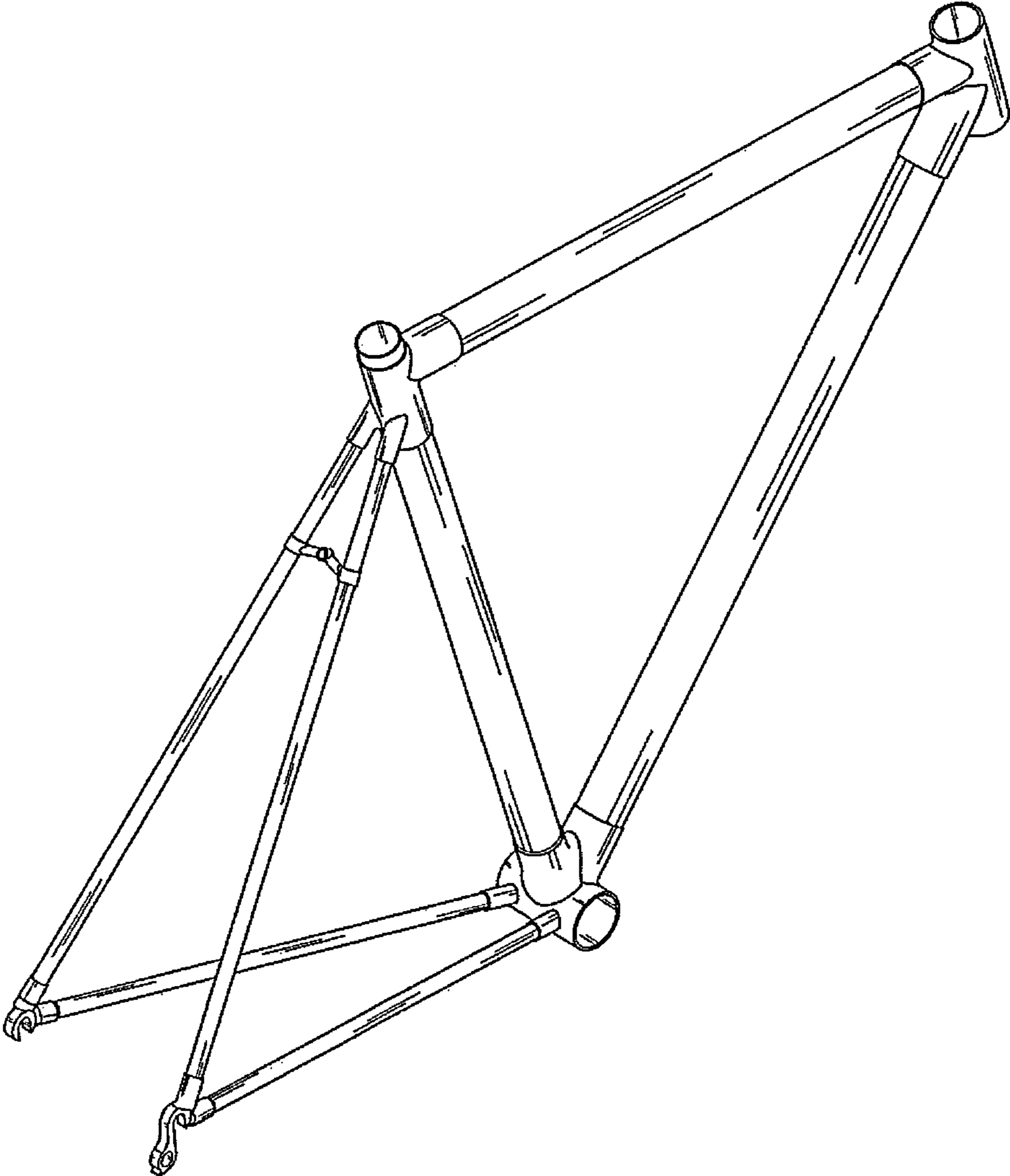


FIG. 1

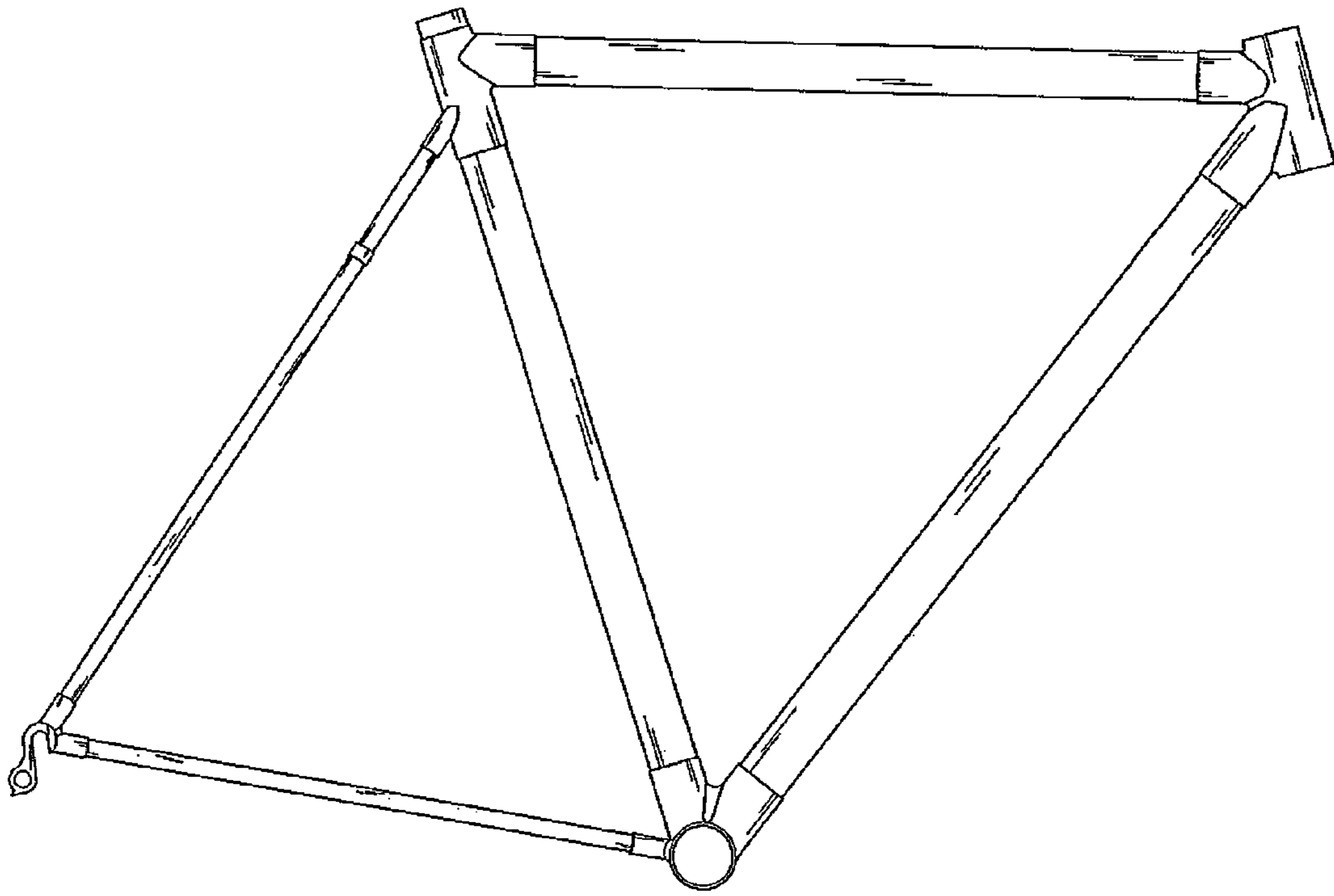


FIG. 2

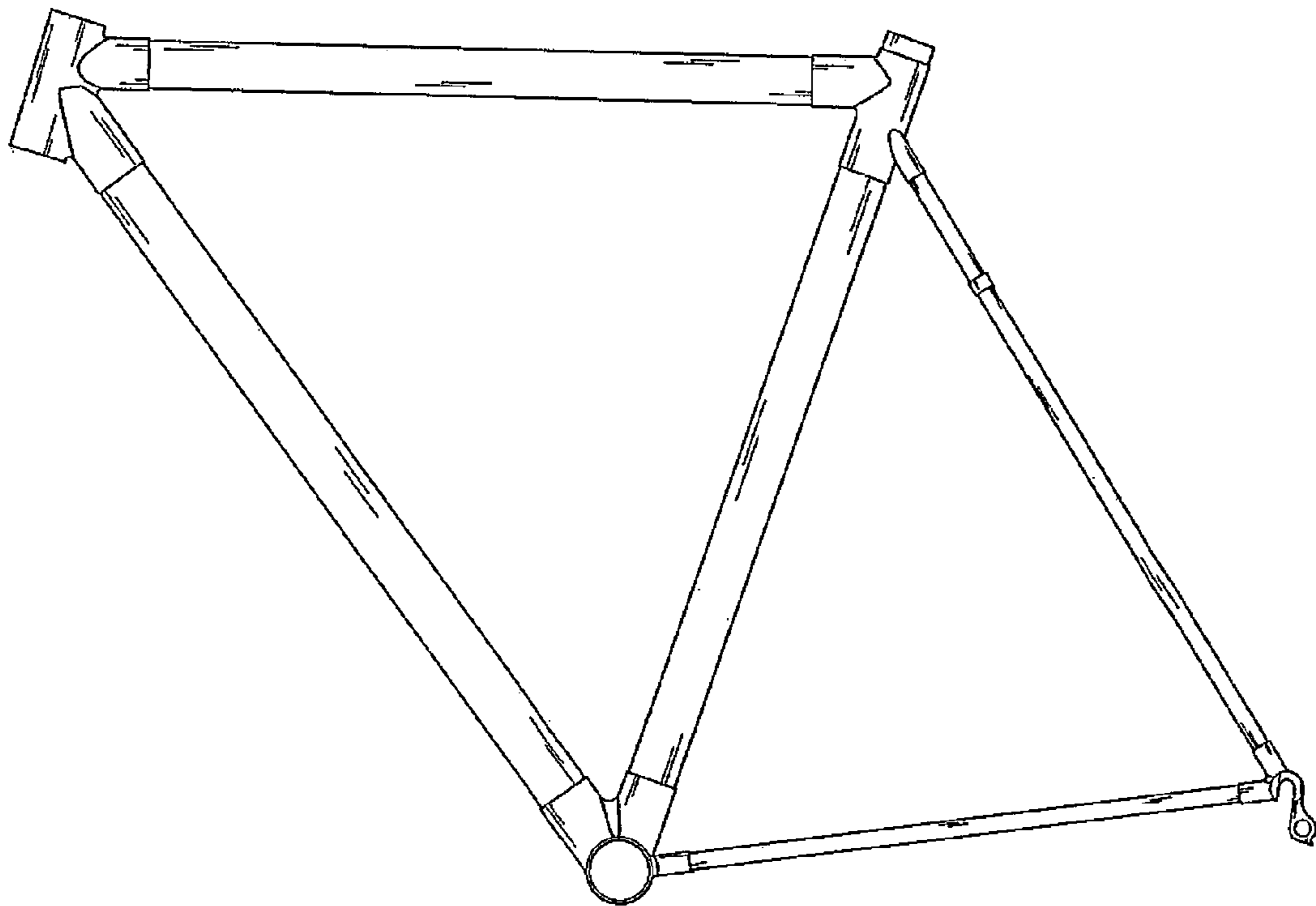


FIG. 3

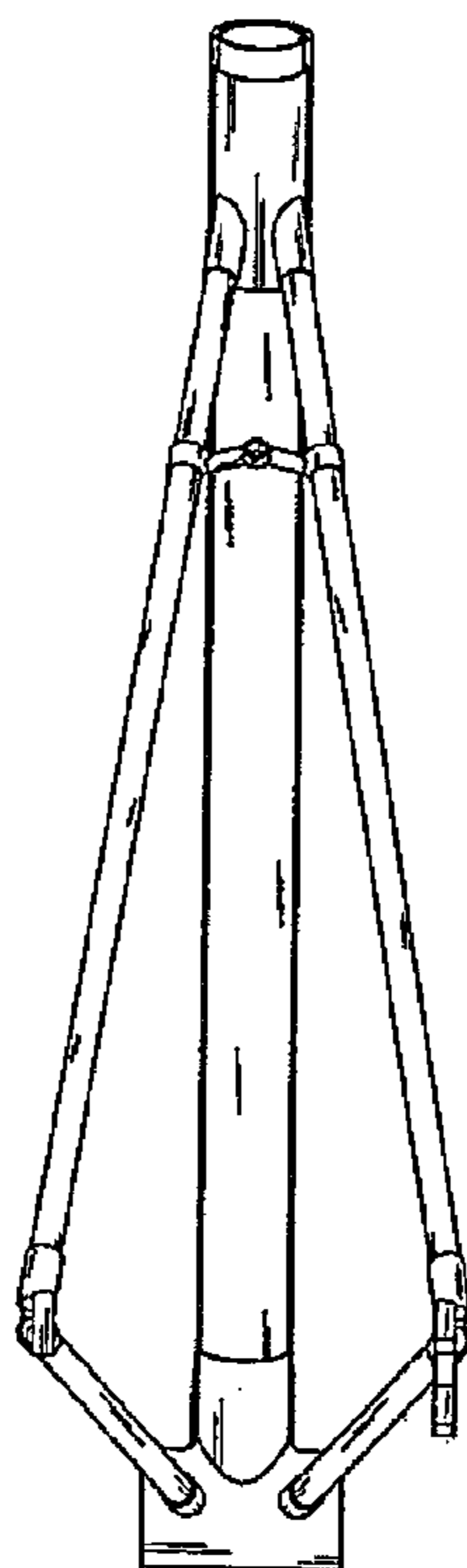


FIG. 4

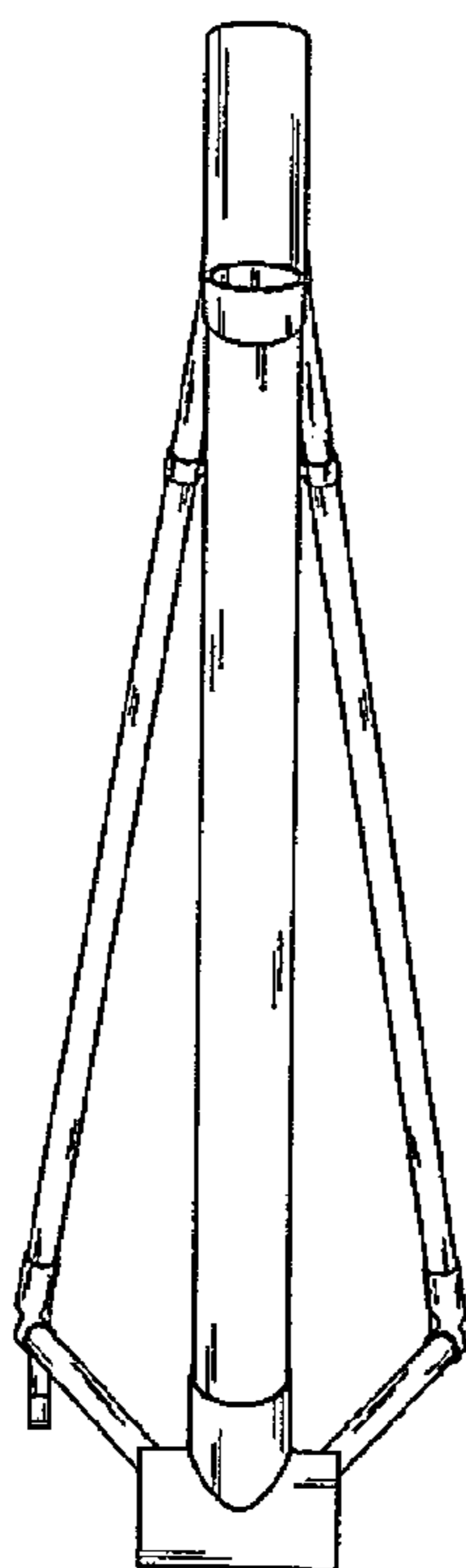


FIG. 5

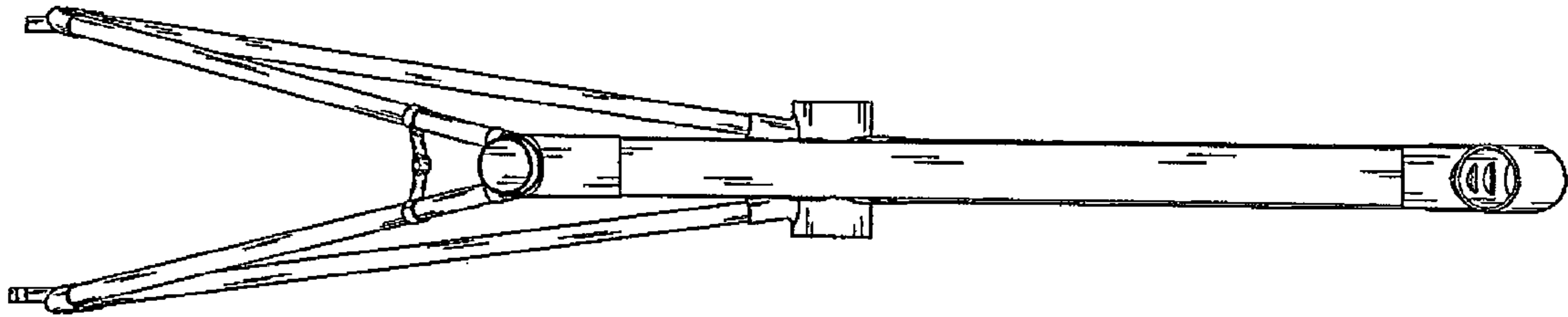


FIG. 6

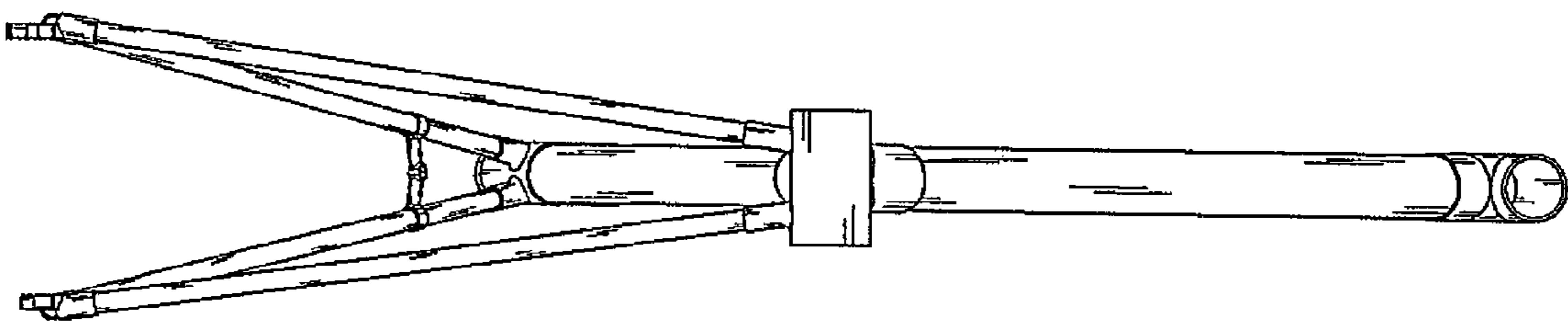


FIG. 7