



US00D686947S

(12) **United States Design Patent**
Remington

(10) **Patent No.:** **US D686,947 S**
(45) **Date of Patent:** **** Jul. 30, 2013**

(54) **SWITCH POINT GUARD CASTING AND SUPPORT STRUCTURE**

(75) Inventor: **James A. Remington**, Sheffield Village, OH (US)

(73) Assignee: **Cleveland Track Material, Inc.**, Cleveland, OH (US)

(**) Term: **14 Years**

(21) Appl. No.: **29/408,706**

(22) Filed: **Dec. 15, 2011**

(51) **LOC (9) Cl.** **12-03**

(52) **U.S. Cl.**
USPC **D12/49**

(58) **Field of Classification Search**
USPC D12/42, 49, 50, 51; 238/20, 17, 435 A, 238/441

See application file for complete search history.

(56) **References Cited**

U.S. PATENT DOCUMENTS

1,161,741	A	11/1915	Smoter	
1,163,431	A	12/1915	Maranda et al.	
1,230,533	A	6/1917	Stiles	
1,463,943	A	8/1923	Fallon	
1,628,882	A *	5/1927	Hoffman et al.	246/441
1,872,848	A	8/1932	Told	
3,026,074	A	3/1962	Kern	
3,063,641	A	11/1962	Frey	
4,355,776	A	10/1982	Rydin	
4,386,751	A	6/1983	Meyer	
4,566,630	A	1/1986	Keiper, Jr.	
4,738,418	A	4/1988	Farrell	
5,115,970	A	5/1992	Rice et al.	
5,169,064	A	12/1992	Rice et al.	
7,137,601	B2	11/2006	Christ et al.	
2011/0121089	A1 *	5/2011	Seki et al.	238/17

OTHER PUBLICATIONS

Switch Point Guard, www.voestalpine.com/nortrak, web page.
Switch Point Protectors & Guards, www.harmersteel.com, web page.
Switch Point Guards, www.rtools.com, web page.
Guard Rails, Unitrac Railroad Materials, Inc., catalog.

* cited by examiner

Primary Examiner — T. Chase Nelson

Assistant Examiner — Ania Aman

(74) *Attorney, Agent, or Firm* — Roger A. Gilcrest

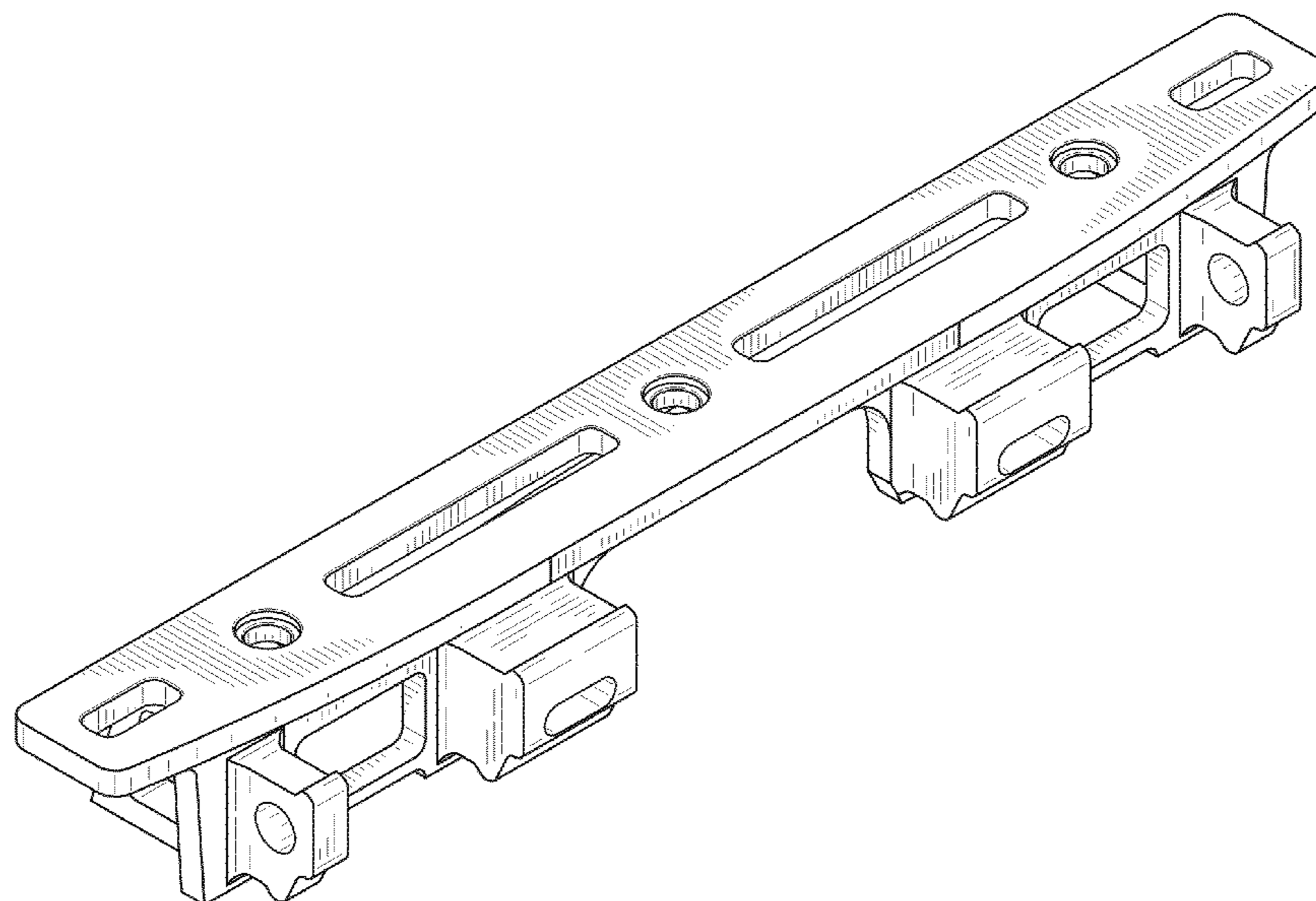
(57) **CLAIM**

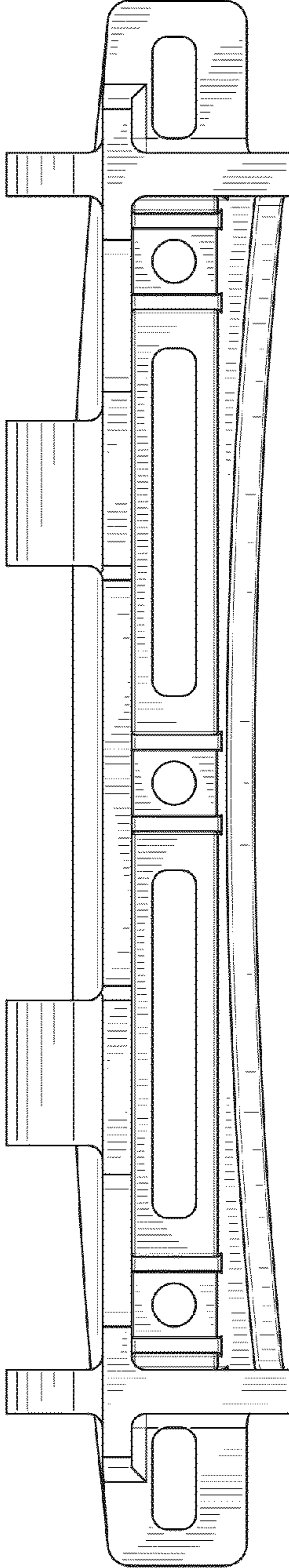
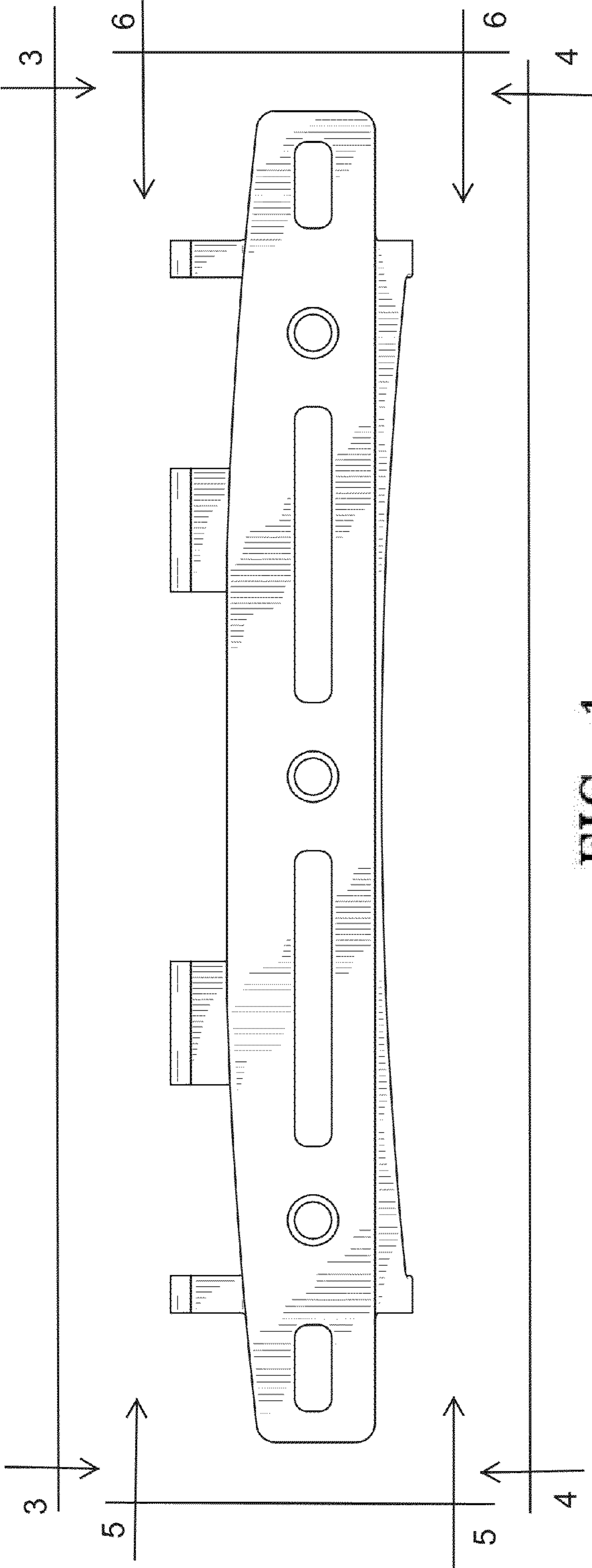
The ornamental design for a switch point guard casting and support structure, as shown and described.

DESCRIPTION

FIG. 1 is a top plan view of the switch point guard casting and support structure showing my new design;
FIG. 2 is a bottom plan view of the switch point guard casting and support structure;
FIG. 3 is a first side elevation view of the switch point guard casting and support structure, taken along line 3-3 of FIG. 1;
FIG. 4 is a second side elevation view of the switch point guard casting and support structure, taken along line 4-4 of FIG. 1;
FIG. 5 is a third side elevation view of the switch point guard casting and support structure, taken along line 5-5 of FIG. 1;
FIG. 6 is a fourth side elevation view of the switch point guard casting and support structure, taken along line 6-6 of FIG. 1;
FIG. 7 is a first upper perspective view of the switch point guard casting and support structure;
FIG. 8 is a second upper perspective view of the switch point guard casting and support structure; and,
FIG. 9 is a lower perspective view of the switch point guard casting and support structure.

1 Claim, 5 Drawing Sheets





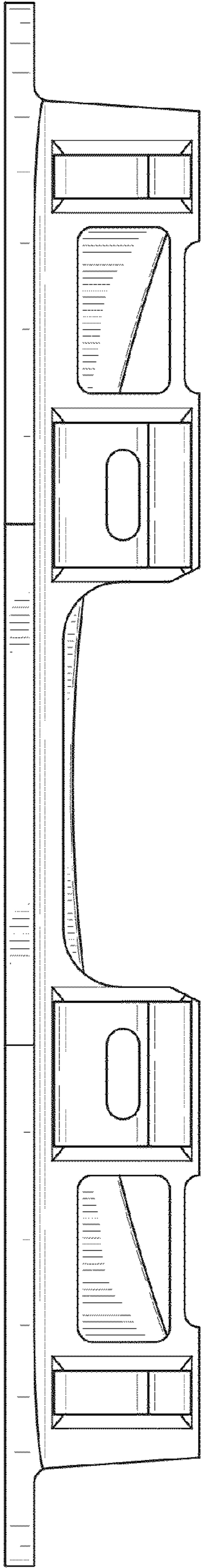


FIG-3

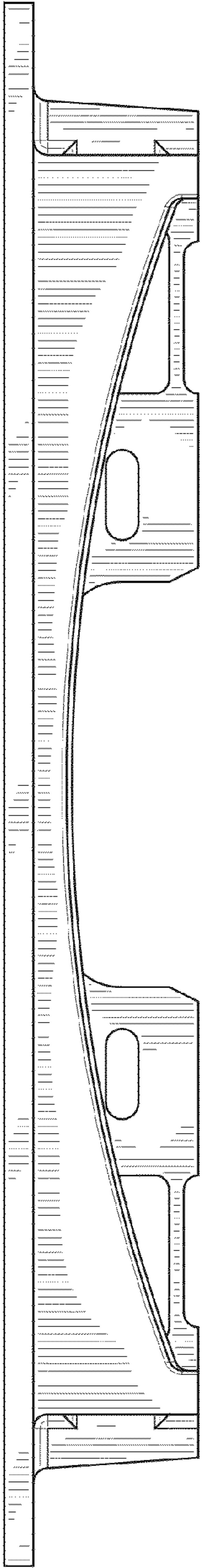


FIG-4

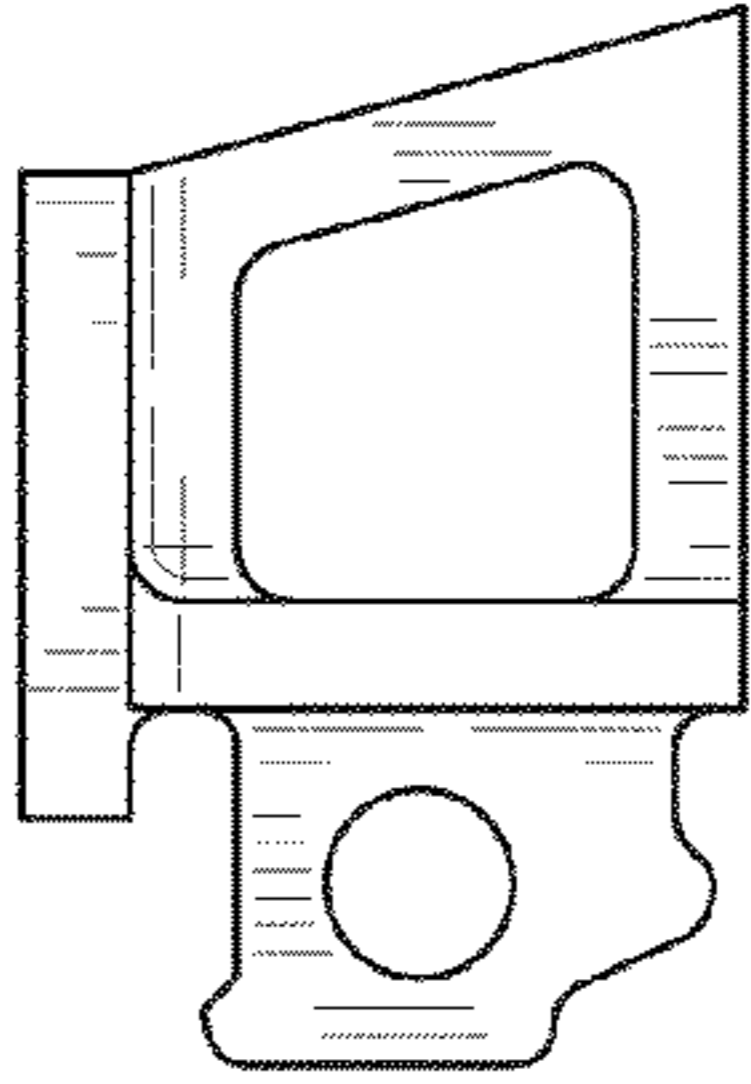


FIG-5

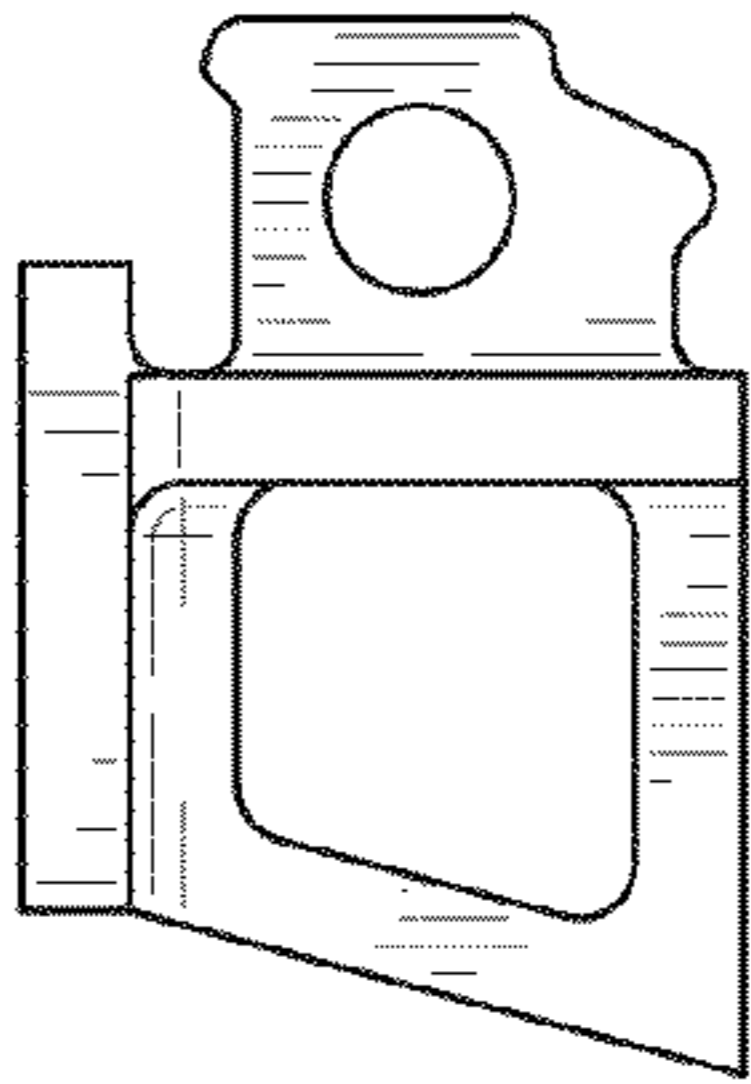


FIG-6

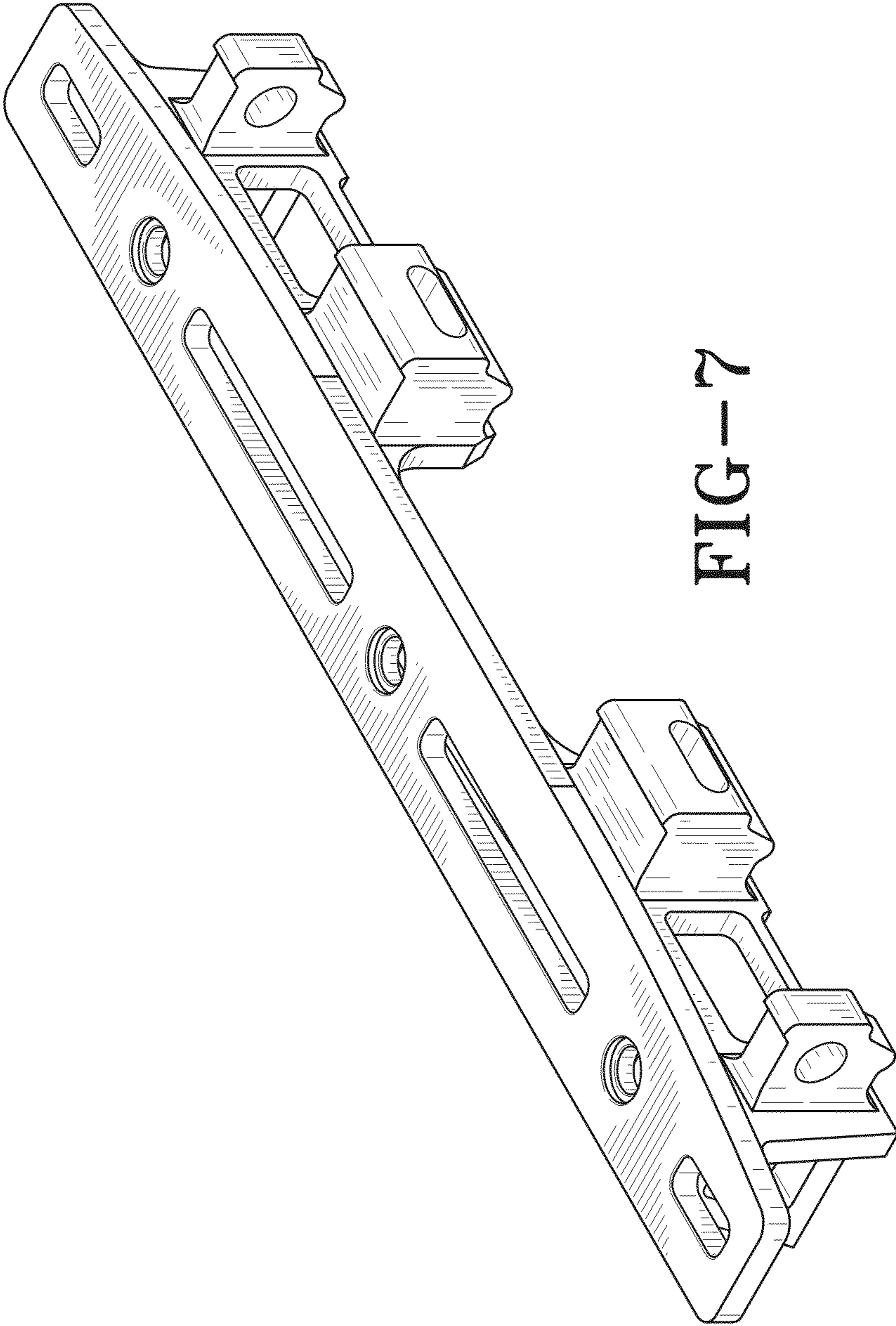


FIG-7

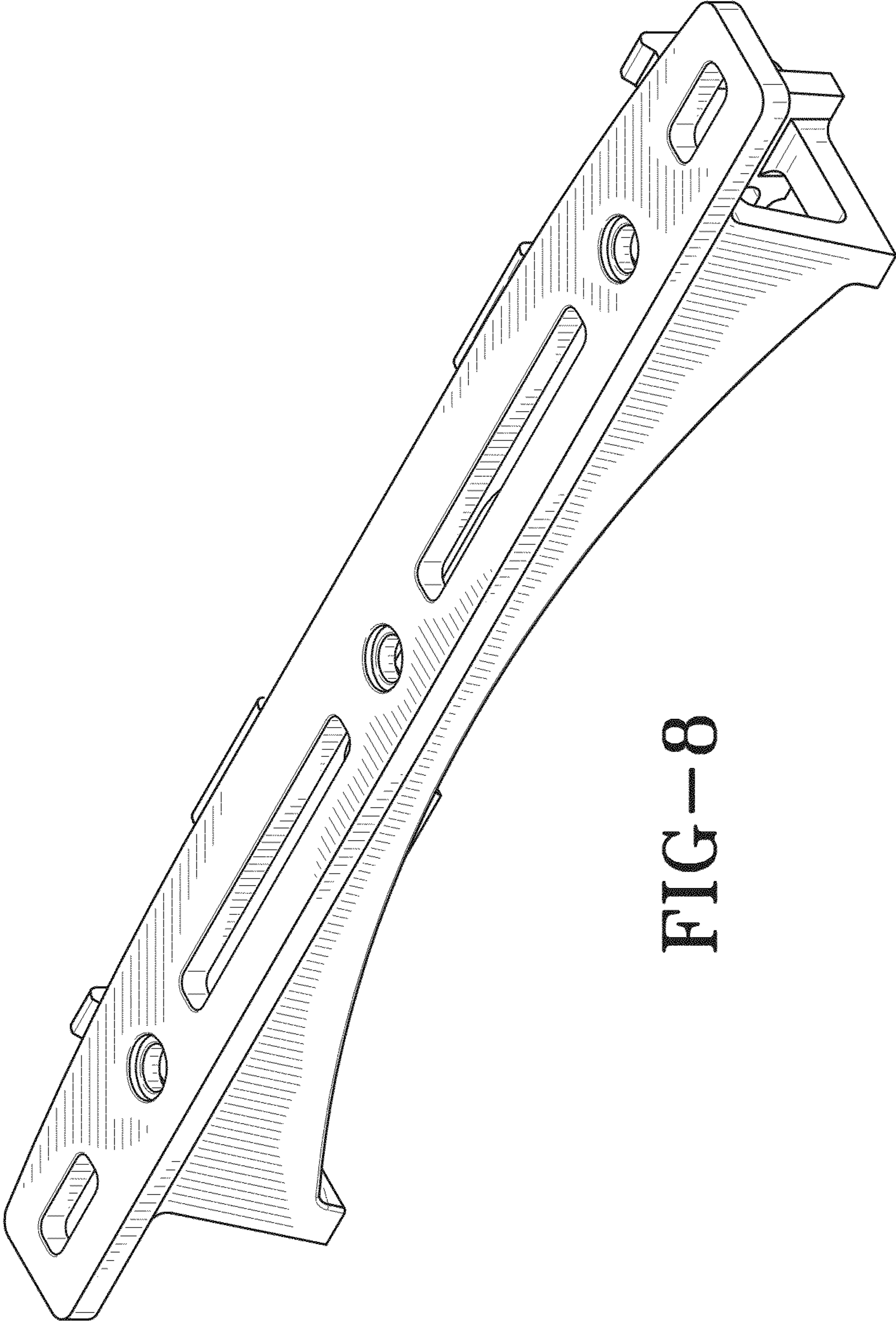


FIG-8

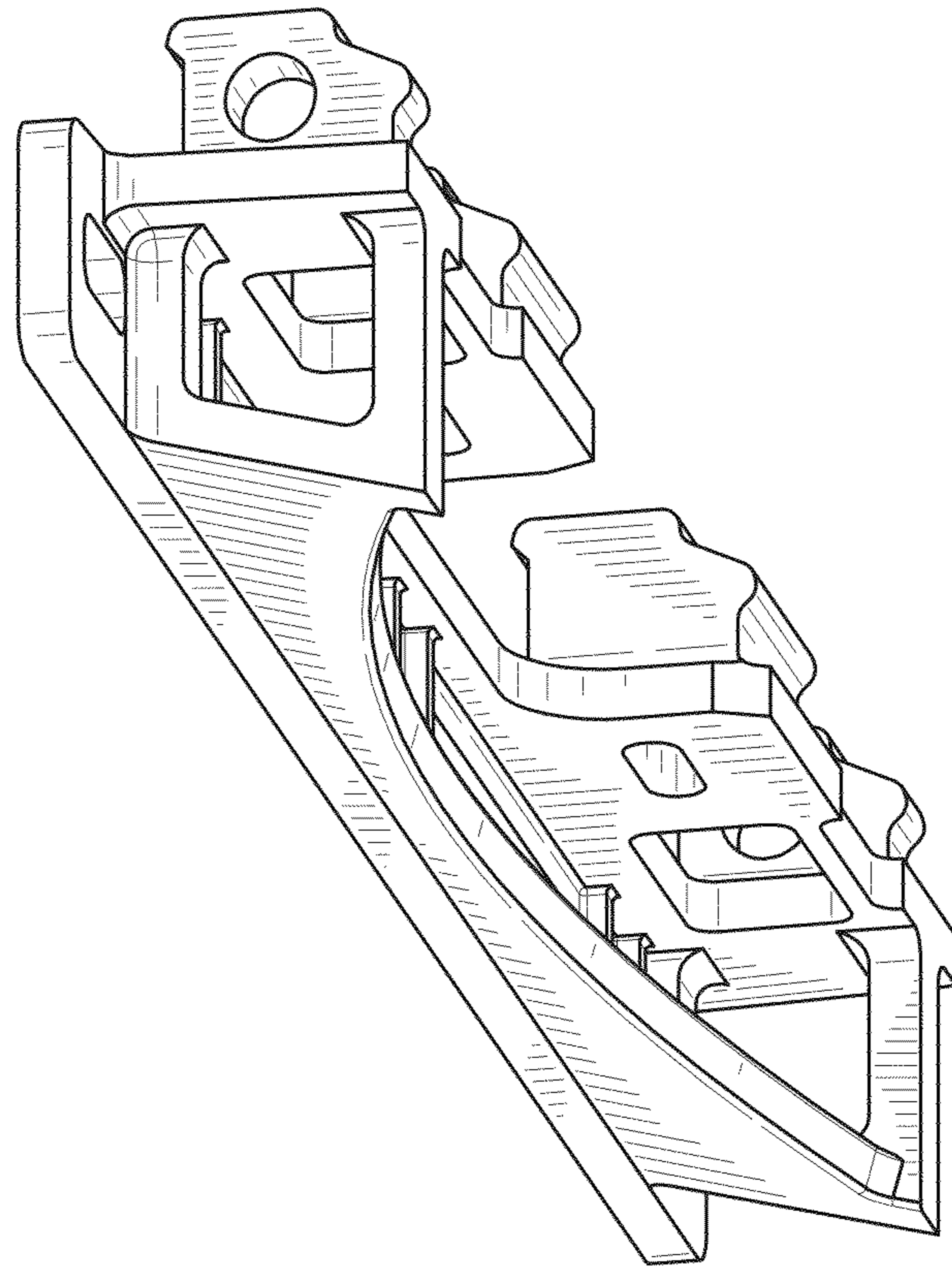


FIG-9