



US00D686943S

(12) **United States Design Patent**  
**Watson et al.**

(10) **Patent No.:** **US D686,943 S**  
(45) **Date of Patent:** **\*\* Jul. 30, 2013**

(54) **DISC FOR A FASTENING DEVICE**  
(75) Inventors: **Brian John Watson**, Edinburgh (GB);  
**Anthony Arthur Wills**, Edinburgh (GB);  
**Philip Mark Hall**, Edinburgh (GB);  
**Richard Nicholas Gore**, Edinburgh  
(GB)

(73) Assignee: **Buttonfix Limited**, Edinburgh (GB)

(\*\*) Term: **14 Years**

(21) Appl. No.: **29/422,998**

(22) Filed: **May 25, 2012**

(30) **Foreign Application Priority Data**

Nov. 25, 2011 (EM) ..... 001953662

(51) **LOC (9) Cl.** ..... **11-02**

(52) **U.S. Cl.**  
USPC ..... **D11/201**

(58) **Field of Classification Search**  
USPC ..... D11/1-2, 200-201, 206-210, 214-218;  
24/163 R, 169-171, 173, 177-179, 191,  
194-195, 197, 200, 614-616, 625, 198; D8/354,  
D8/383, 358, 382, 394; 411/272; 74/567  
See application file for complete search history.

(56) **References Cited**

U.S. PATENT DOCUMENTS

D319,201 S \* 8/1991 Aoki ..... D11/220  
D339,521 S \* 9/1993 Bartlett et al. .... D8/394

D362,176 S \* 9/1995 Solbeck ..... D8/382  
D422,893 S \* 4/2000 Heredos-Formby ..... D8/382  
7,287,304 B2 \* 10/2007 Zebe, Jr. .... 24/134 P  
D619,449 S \* 7/2010 Smith et al. .... D8/382

\* cited by examiner

*Primary Examiner* — Ralf Seifert

(74) *Attorney, Agent, or Firm* — Robert P. Michal; Lucas &  
Mercanti, LLP

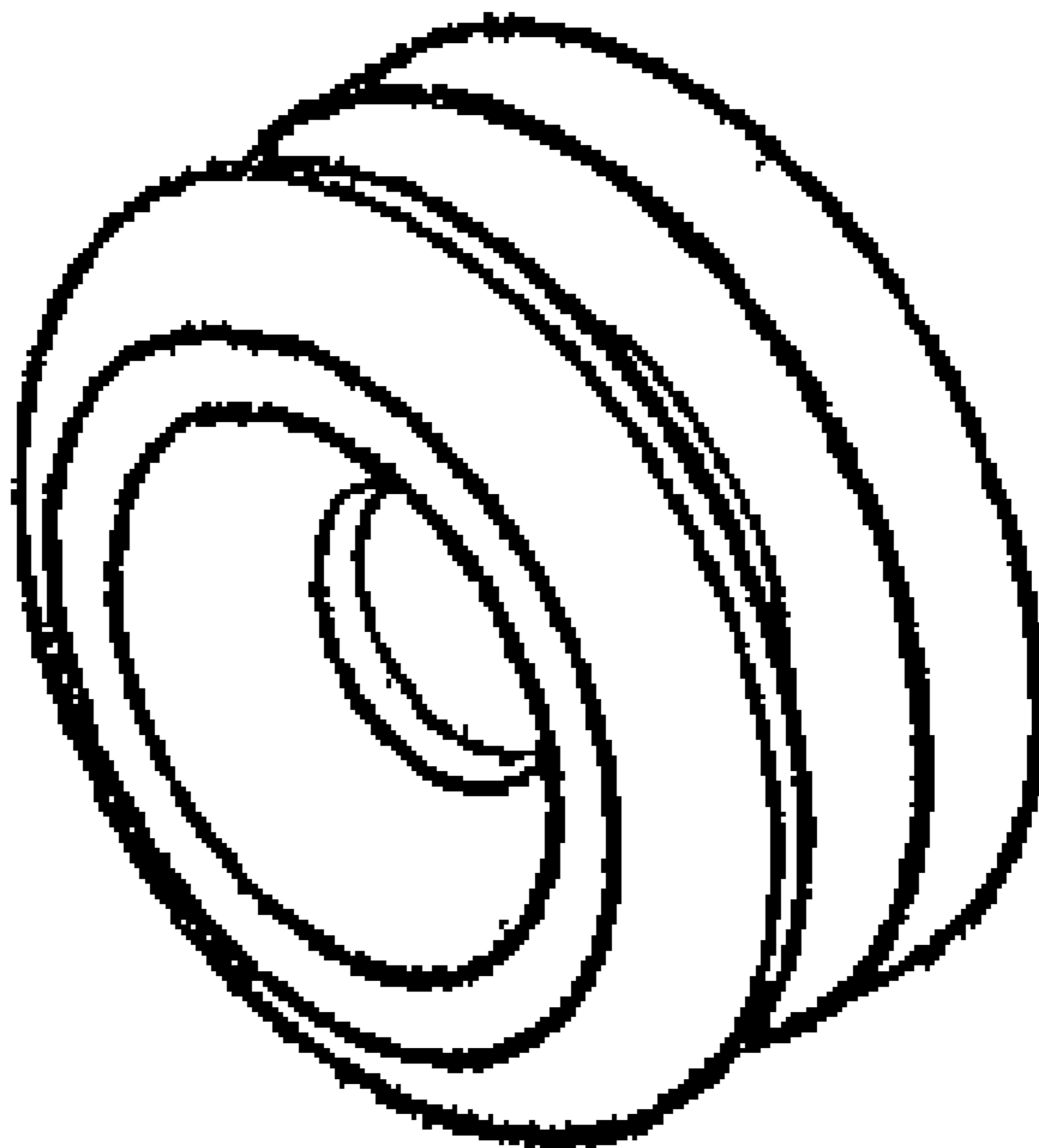
(57) **CLAIM**

The ornamental design for a disc for a fastening device,  
shown and described.

**DESCRIPTION**

FIG. 1 is a front view of the disc for a fastening device  
showing our new design;  
FIG. 2 is a right side view thereof, the left side being a mirror  
image thereof;  
FIG. 3 is a rear view thereof;  
FIG. 4 is a top front perspective view thereof;  
FIG. 5 is a top front perspective view thereof showing the  
environment of use of the design;  
FIG. 6 is a top front perspective view thereof showing the  
environment of use of the design;  
FIG. 7 is a top front perspective view thereof showing the  
environment of use of the design; and,  
FIG. 8 is a top front perspective view thereof showing the  
environment of use of the design.  
The broken lines shown in the figures form no part of the  
claimed design.

**1 Claim, 1 Drawing Sheet**



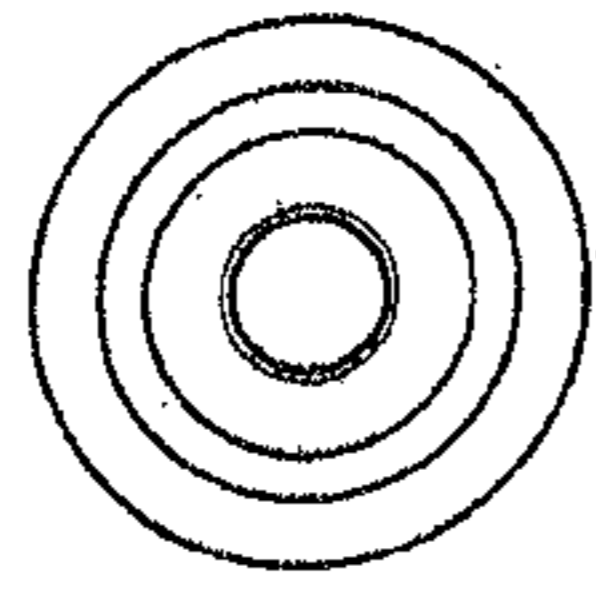


FIG. 1

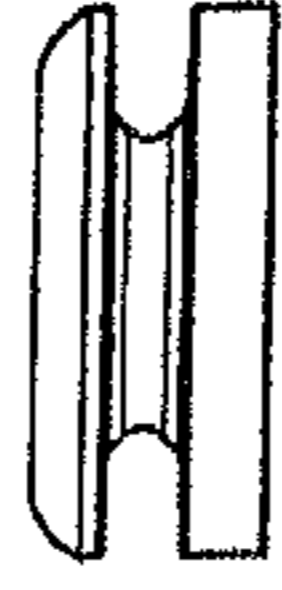


FIG. 2

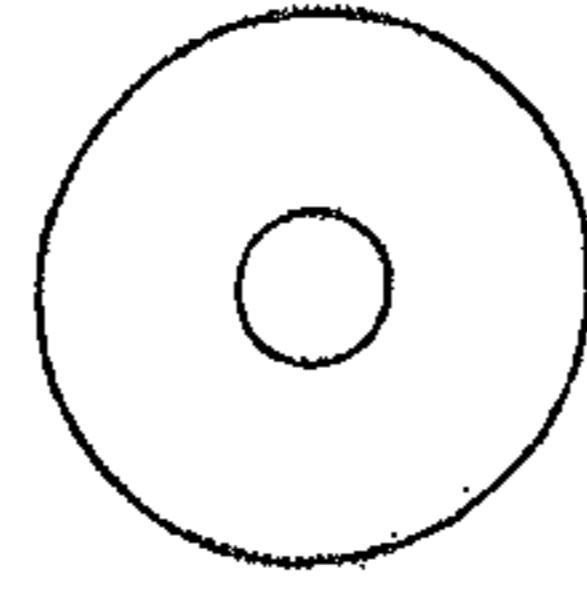


FIG. 3

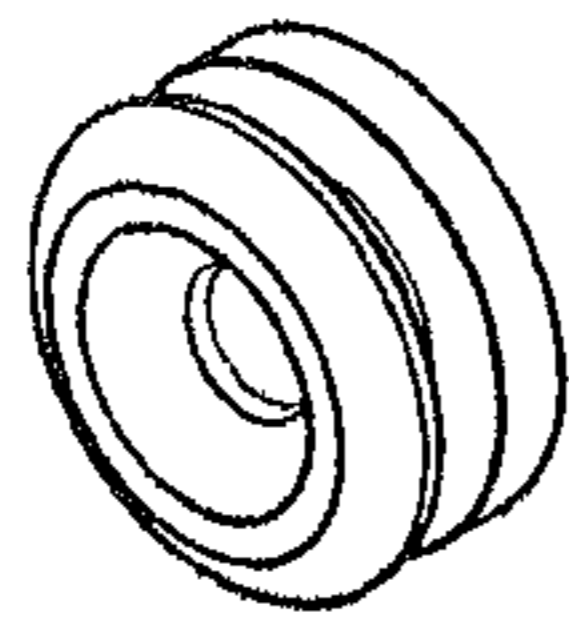


FIG. 4

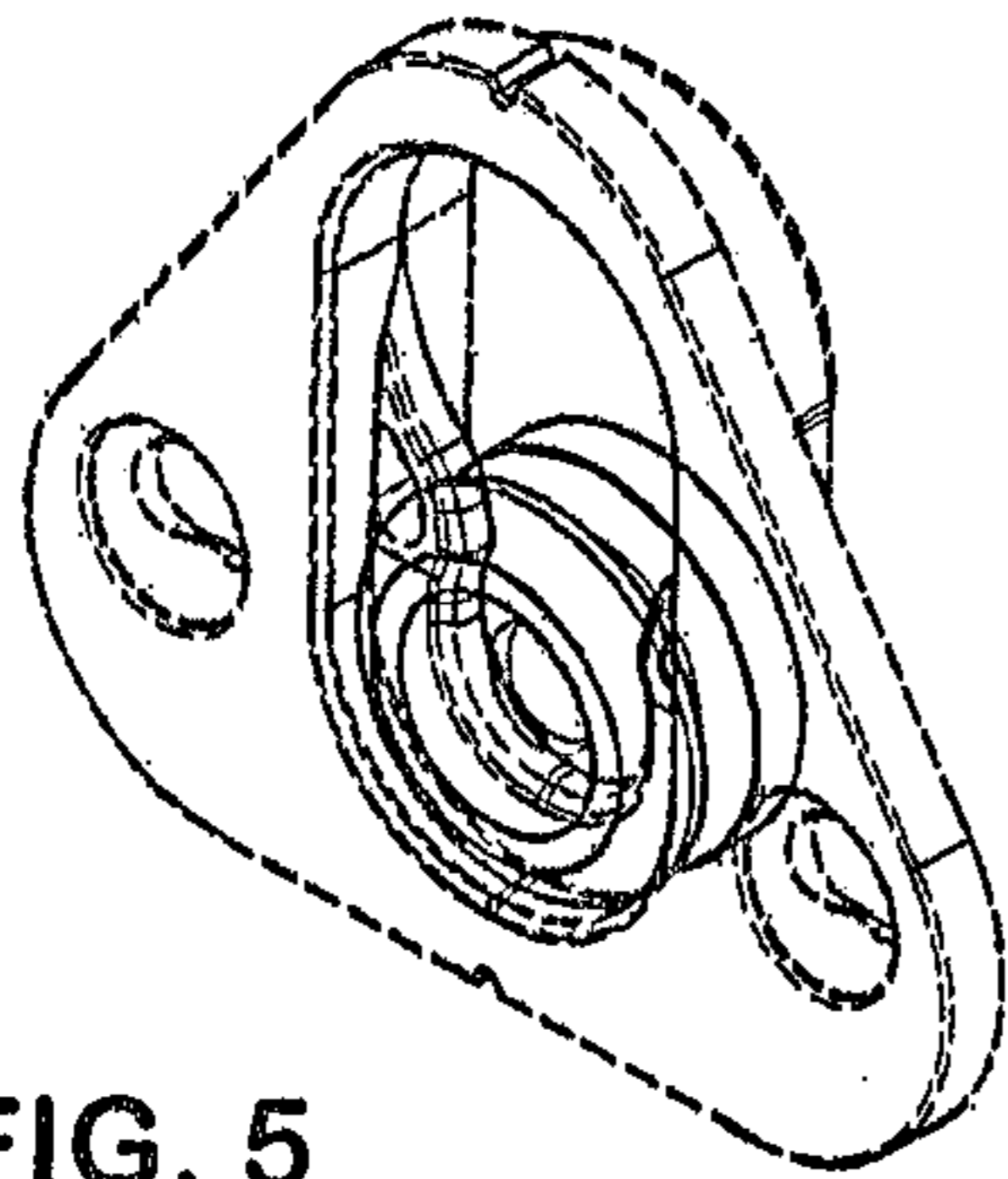


FIG. 5

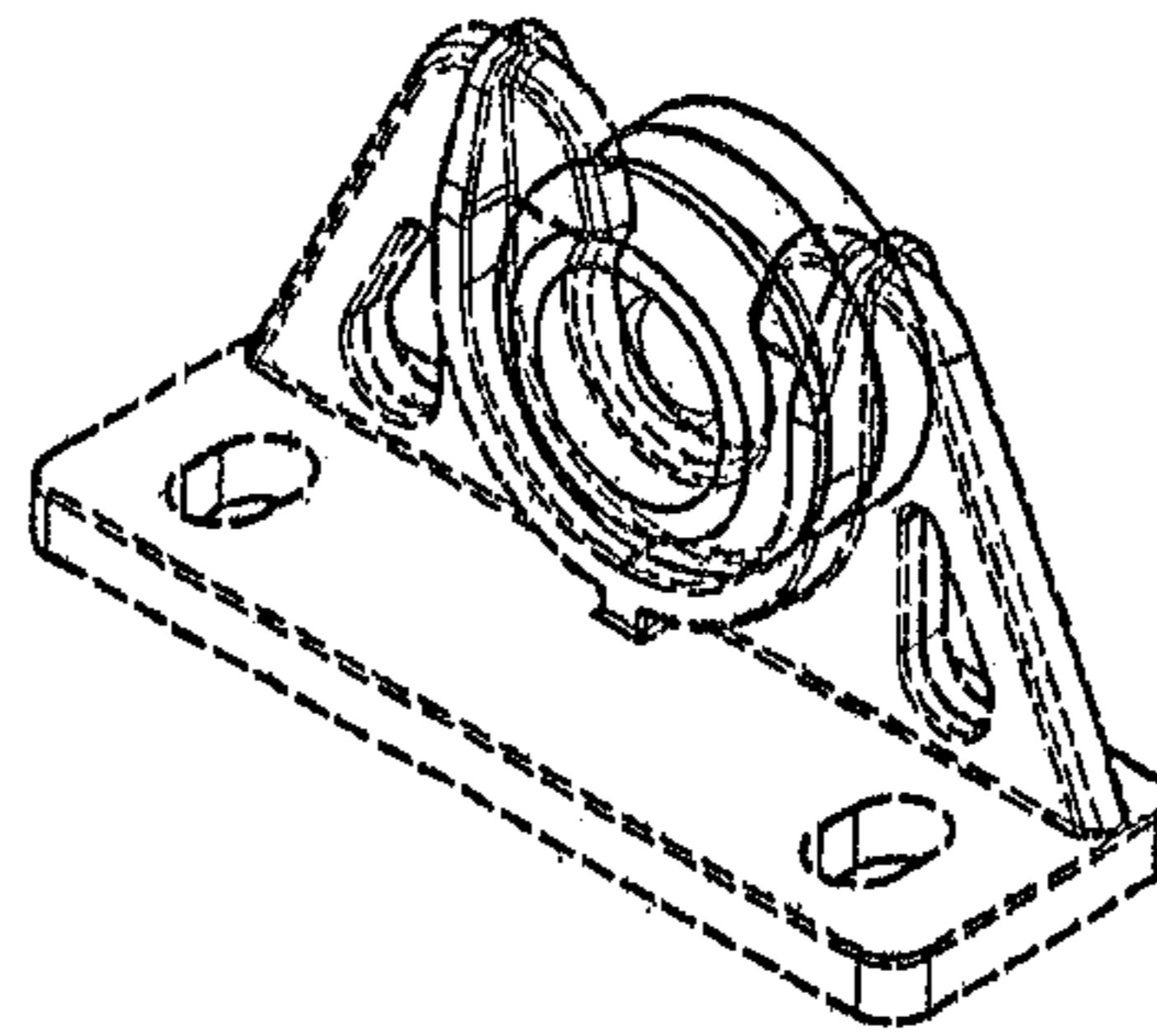


FIG. 6

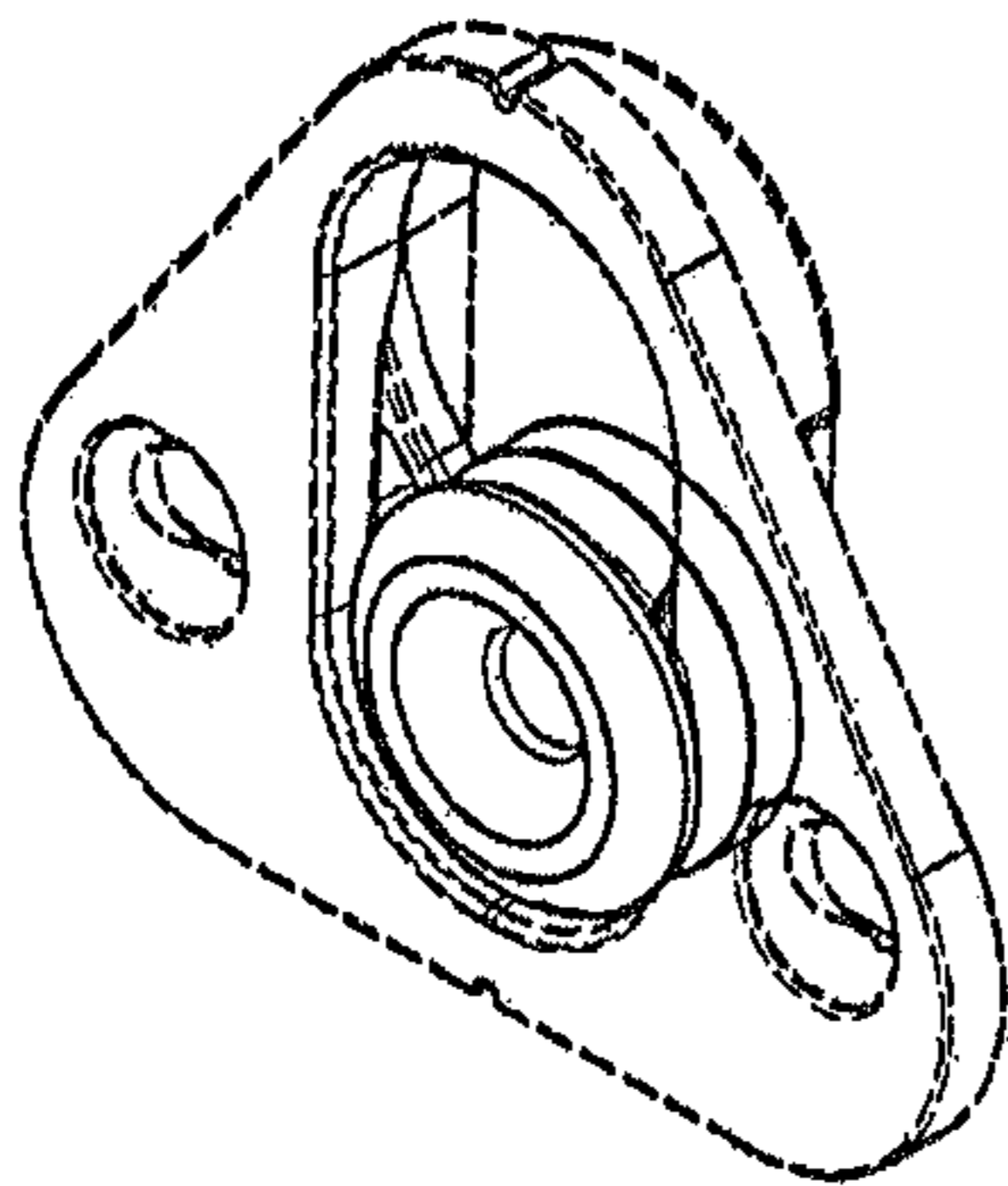


FIG. 7

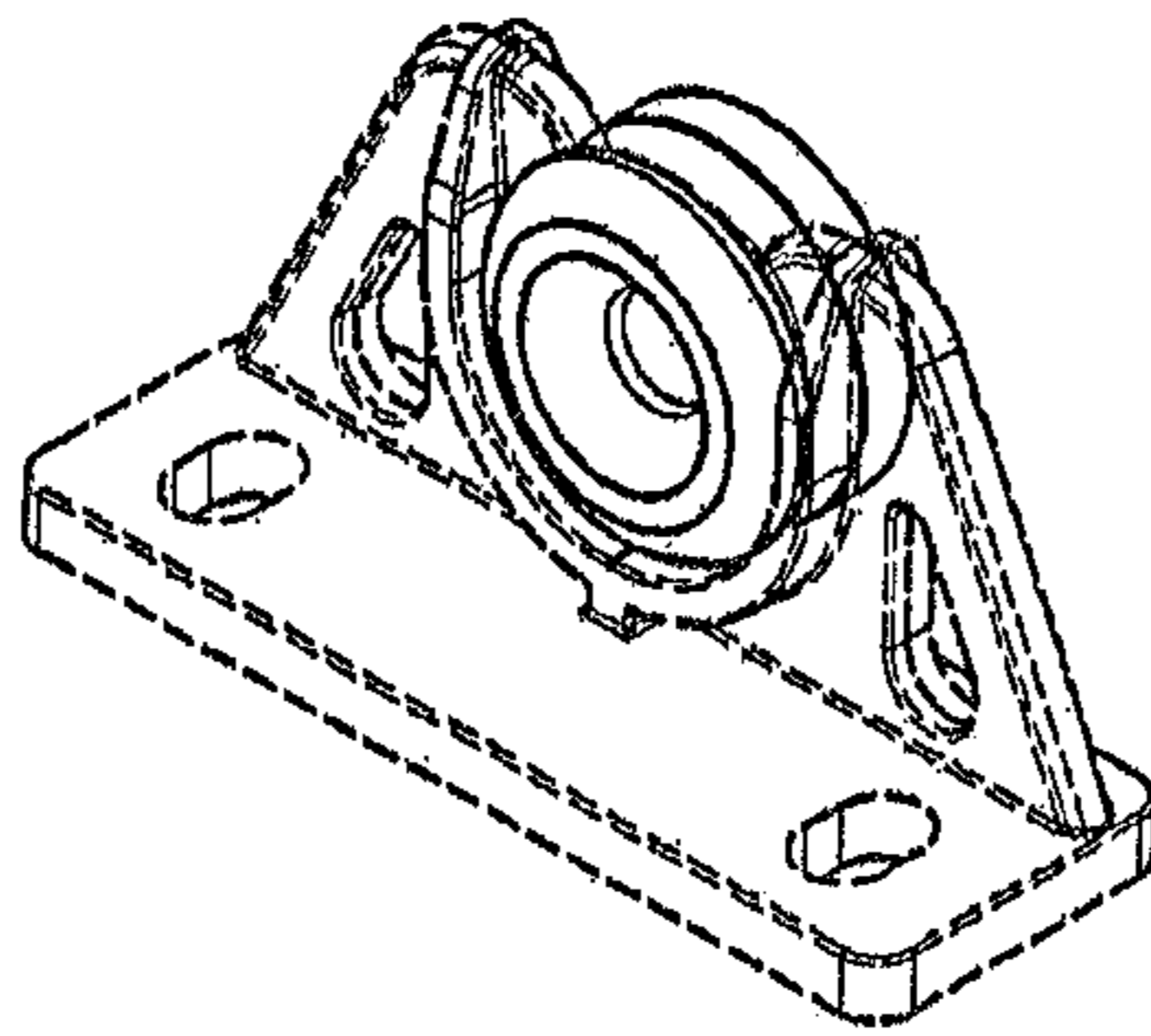


FIG. 8