



US00D686940S

(12) **United States Design Patent**
Donitz

(10) **Patent No.:** **US D686,940 S**
(45) **Date of Patent:** **** Jul. 30, 2013**

(54) **GARDEN APPARATUS**

(75) Inventor: **Efraim Donitz**, North Hollywood, CA (US)

(73) Assignee: **EFCO Inc.**, North Hollywood, CA (US)

(**) Term: **14 Years**

(21) Appl. No.: **29/424,743**

(22) Filed: **Jun. 14, 2012**

(51) **LOC (9) Cl.** **11-02**

(52) **U.S. Cl.**
USPC **D11/143; D6/405**

(58) **Field of Classification Search**
USPC D6/403-405, 556-558; D8/1; D11/143-156,
D11/164; D19/77, 80, 81, 84; D25/100;
D26/9-11, 16, 19; D34/1, 2, 4-6; D99/5,
D99/19; 47/17, 32.4, 32.5, 33, 39, 41.01,
47/41.1, 41.11-41.15, 44-47, 65, 65.5, 65.9,
47/66.1, 66.6, 66.7, 67-71
See application file for complete search history.

(56) **References Cited**

U.S. PATENT DOCUMENTS

D237,001 S * 9/1975 von Serda D11/147
D315,260 S * 3/1991 Kelly D6/405

5,367,823 A * 11/1994 Ferris 47/39
D371,695 S * 7/1996 Buck D6/405
D426,399 S * 6/2000 Yi et al. D6/405
D555,989 S * 11/2007 Sais D8/1
D579,230 S * 10/2008 Denham D6/405
D638,743 S * 5/2011 Bouchard et al. D11/143
D666,021 S * 8/2012 Tremblay D6/405
2008/0302943 A1 * 12/2008 Lunato et al. 248/558

* cited by examiner

Primary Examiner — Garth Rademaker

(74) *Attorney, Agent, or Firm* — David M. Kleiman

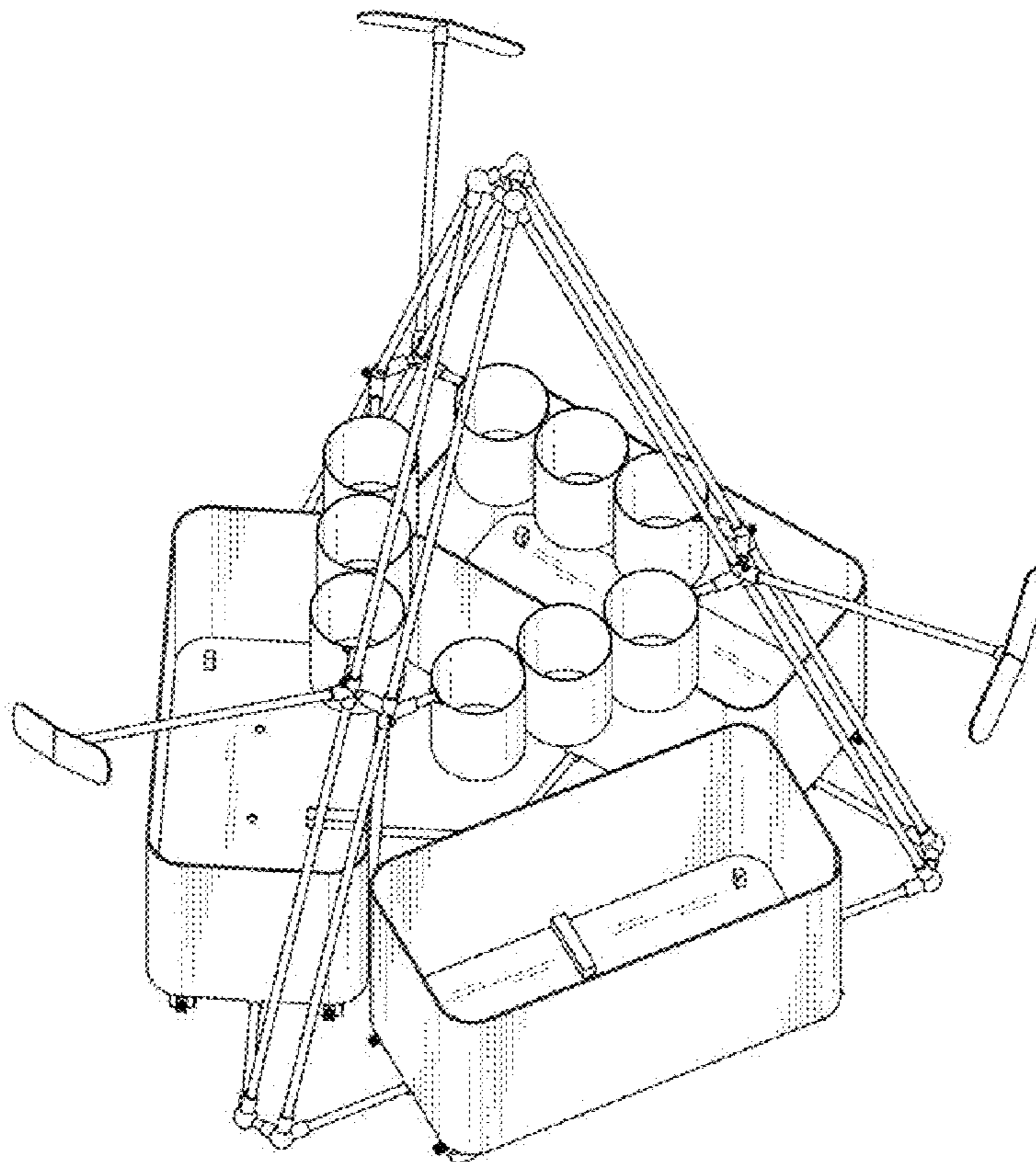
(57) **CLAIM**

The ornamental design for a garden apparatus, as shown and described.

DESCRIPTION

FIG. 1 is a top perspective view of a garden apparatus.
FIG. 2 is a front view of the garden apparatus.
FIG. 3 is a back view of the garden apparatus.
FIG. 4 is a left side view of the garden apparatus.
FIG. 5 is a right side view of the garden apparatus.
FIG. 6 is a top view of the garden apparatus; and,
FIG. 7 is a bottom view of the garden apparatus.

1 Claim, 7 Drawing Sheets



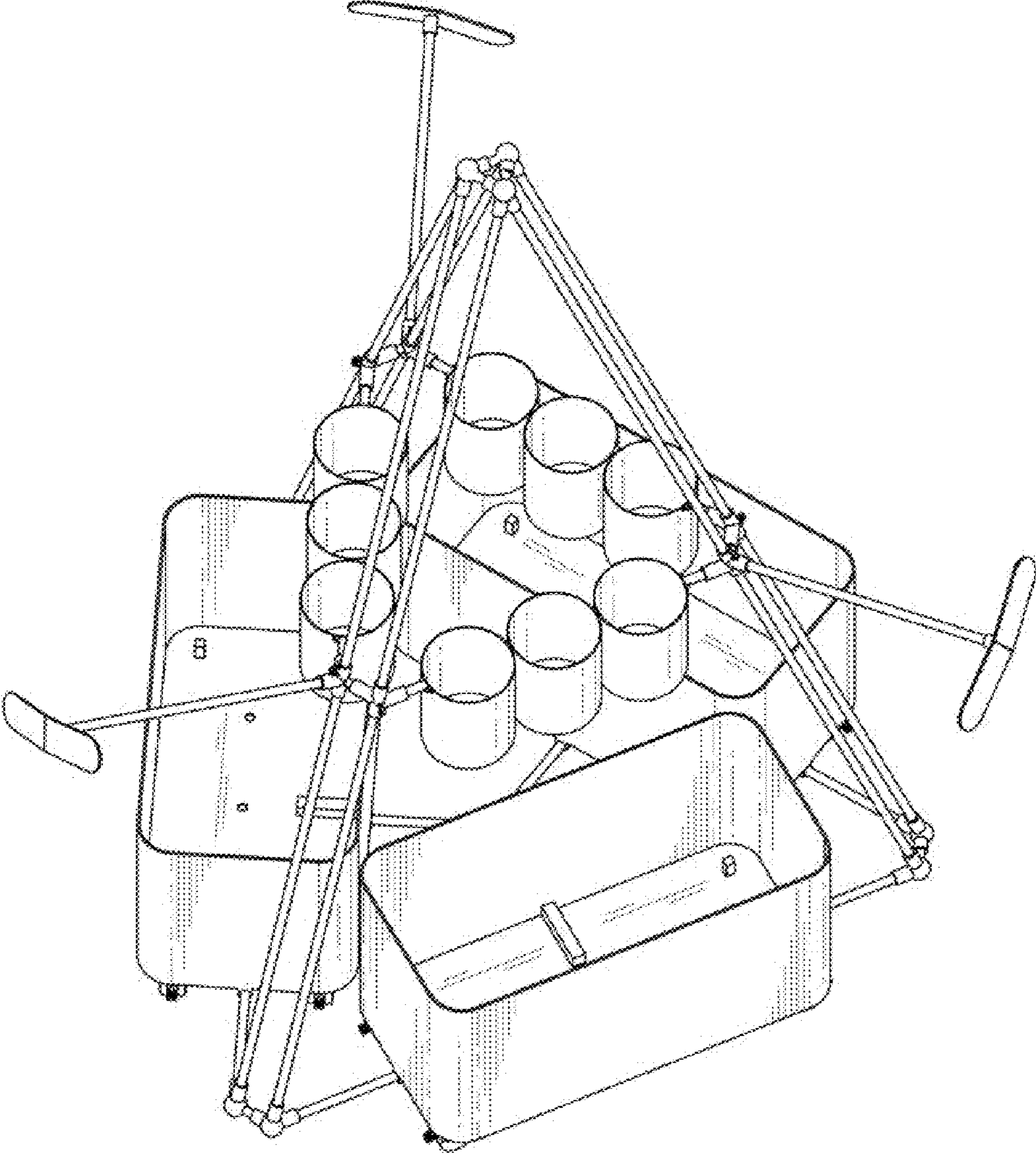


FIG. 1

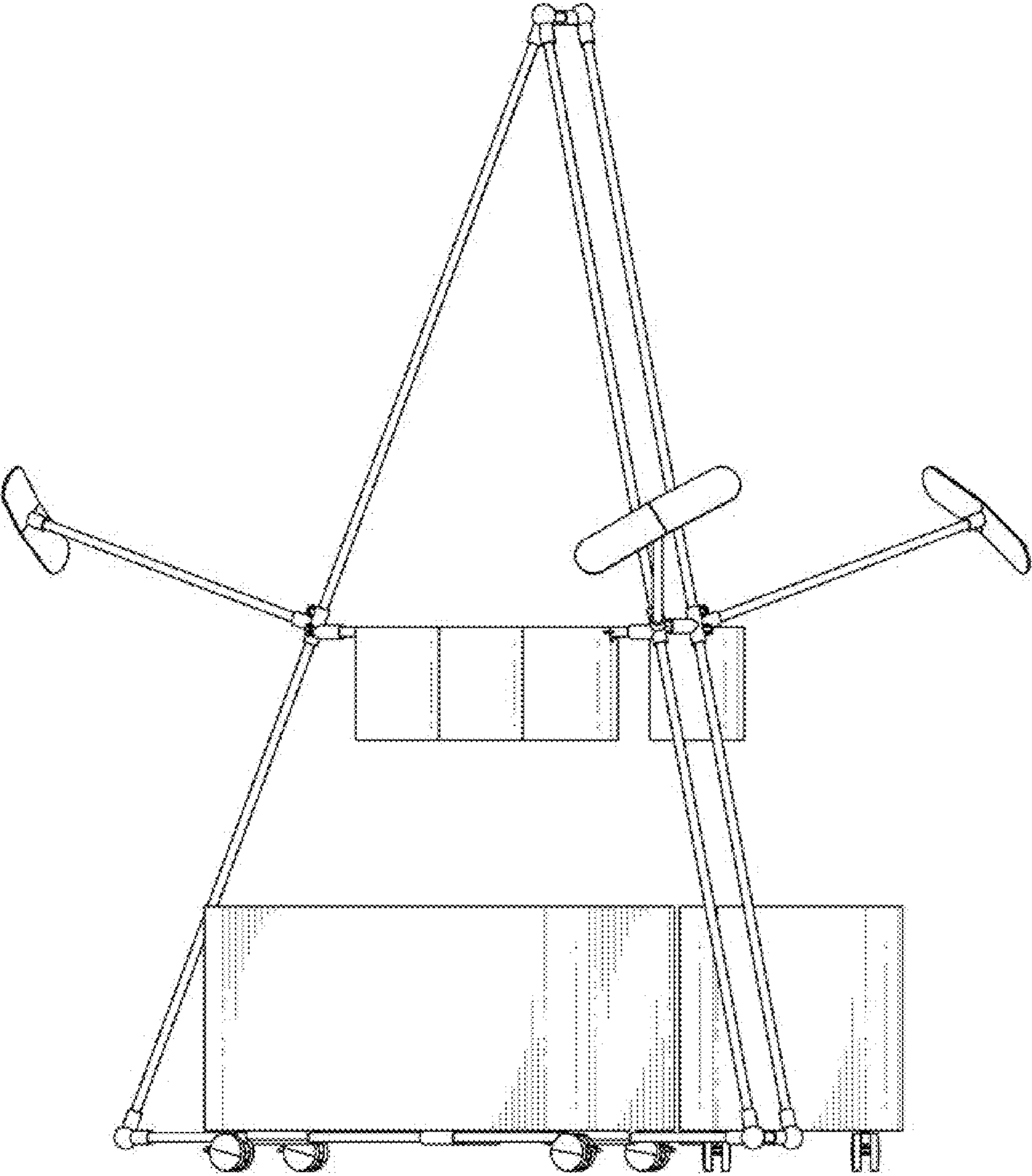


FIG. 2

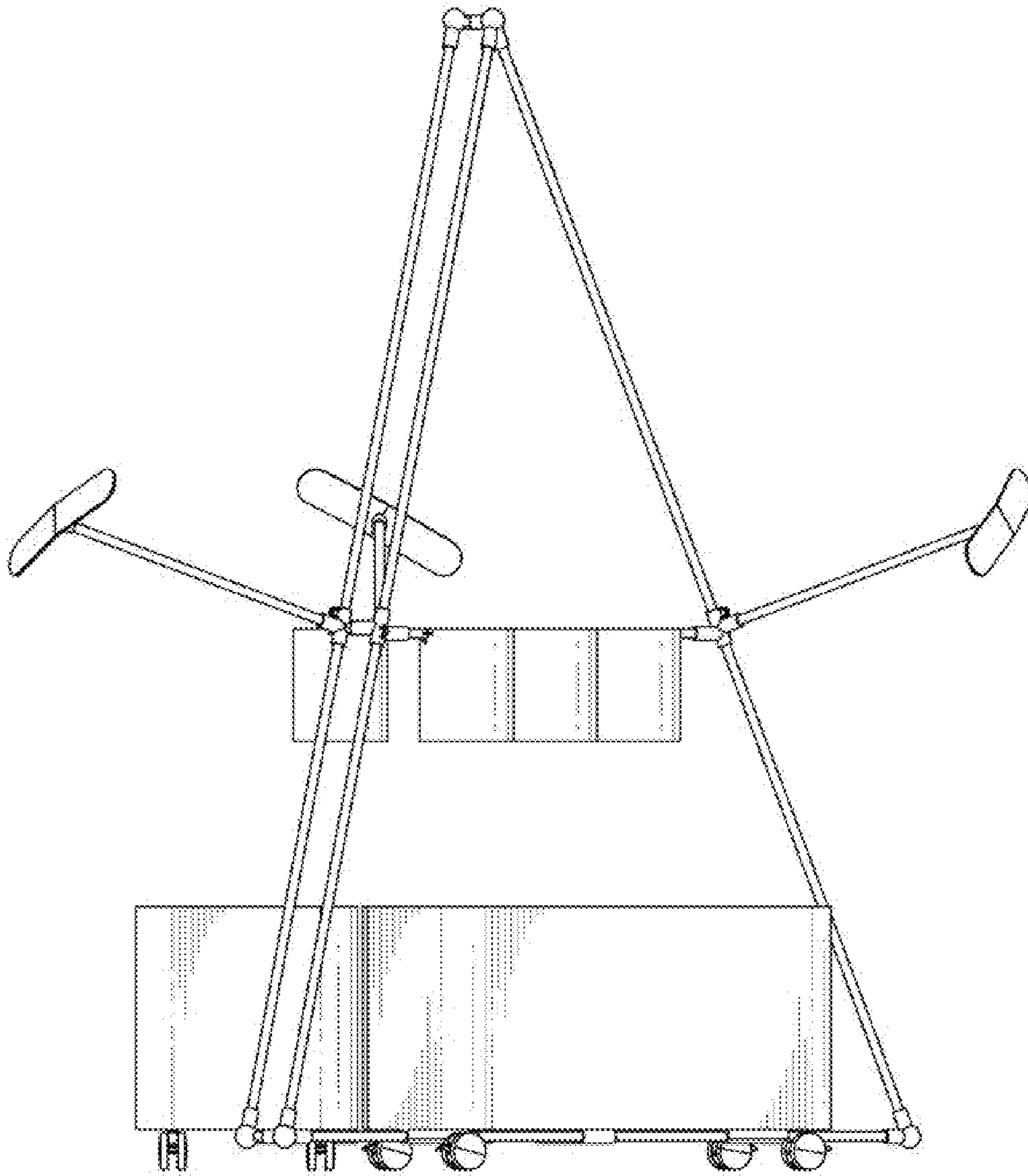


FIG. 3

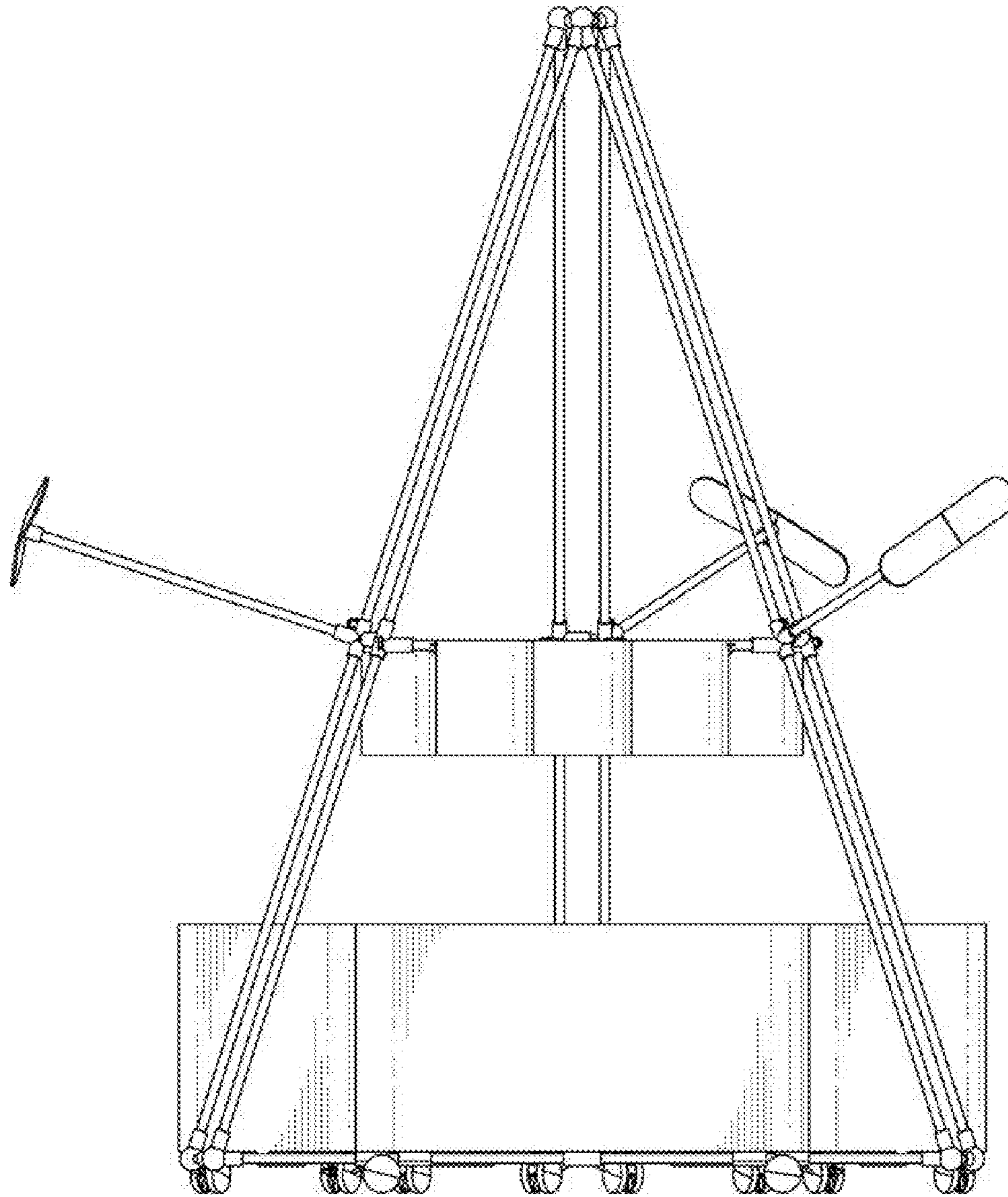


FIG. 4

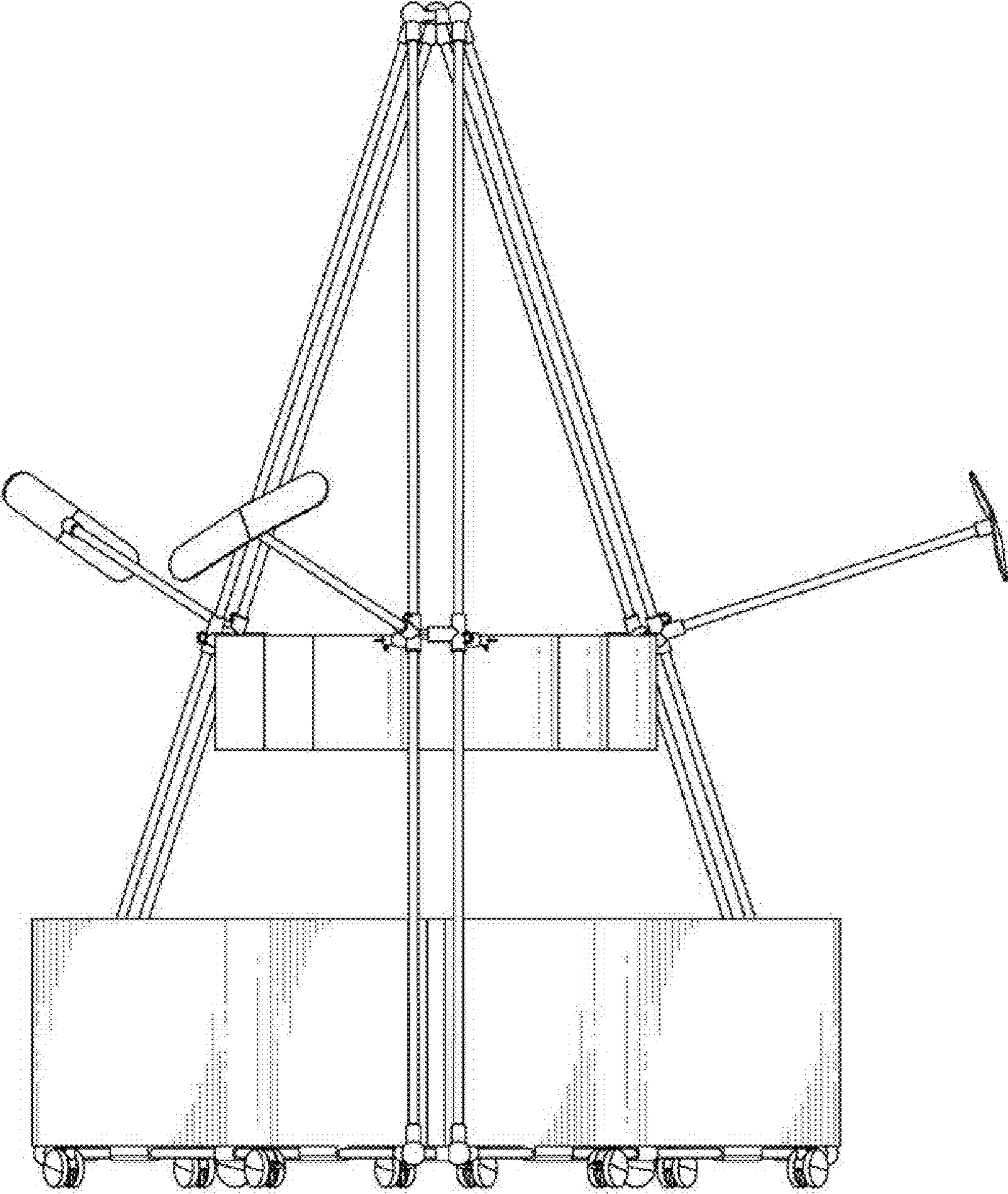


FIG. 5

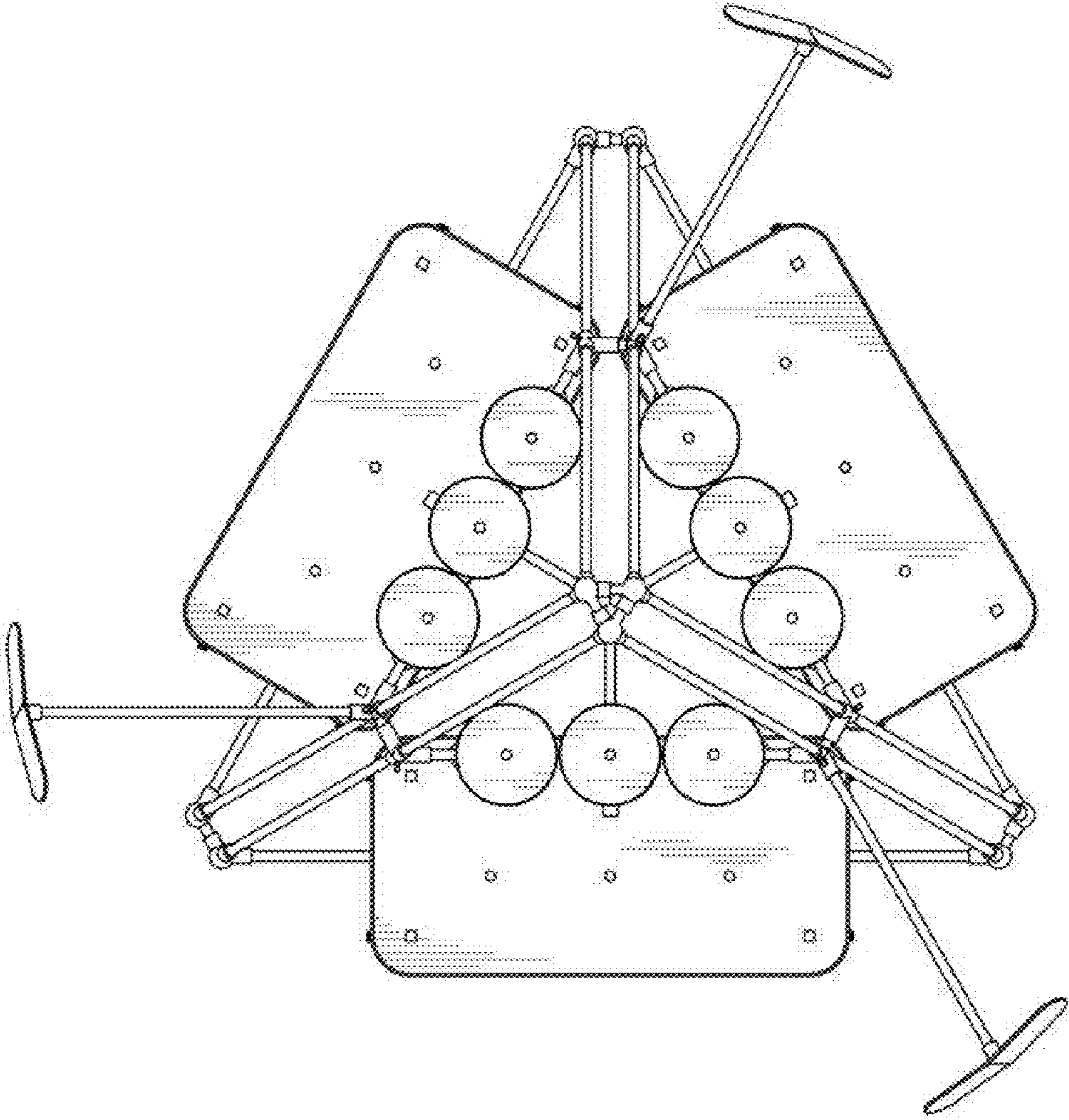


FIG. 6

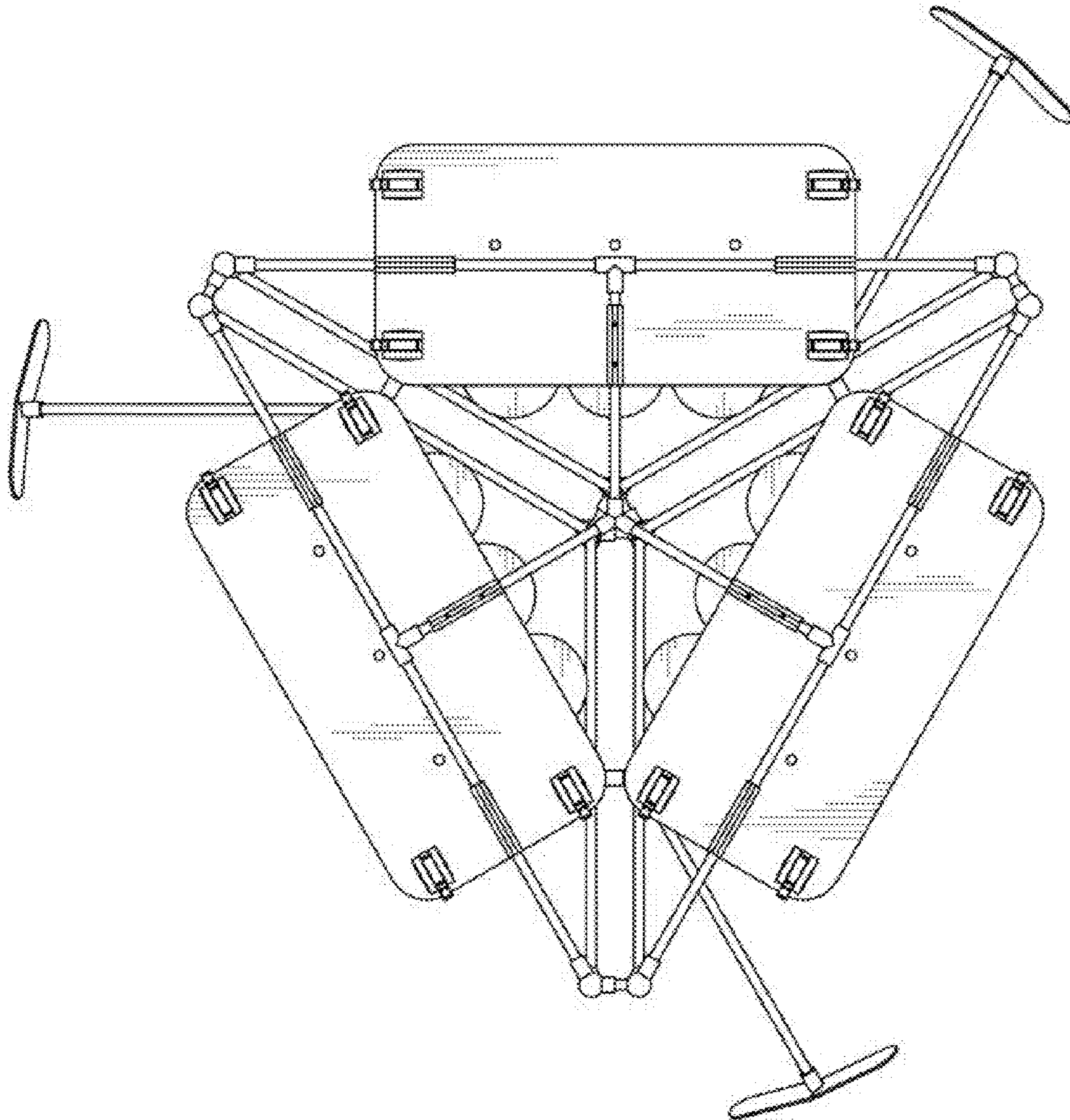


FIG. 7