



US00D686933S

(12) **United States Design Patent**  
**Garzon**

(10) **Patent No.:** **US D686,933 S**  
(45) **Date of Patent:** **\*\* Jul. 30, 2013**

(54) **COMBINED TIMEPIECE DIAL AND HANDS**

5,359,578 A \* 10/1994 Truini ..... 368/76  
D392,632 S \* 3/1998 Spiegel ..... D14/490  
7,061,833 B2 \* 6/2006 Dierenbach ..... 368/76  
D537,741 S \* 3/2007 Gruosi-Scheufele ..... D10/39

(71) Applicant: **Alex Garzon**, Morrisville, PA (US)

(72) Inventor: **Alex Garzon**, Morrisville, PA (US)

(73) Assignee: **Alex Garzon**, Morrisville, PA (US)

(\*\*) Term: **14 Years**

(21) Appl. No.: **29/433,656**

(22) Filed: **Oct. 2, 2012**

(51) **LOC (9) Cl.** ..... **10-07**

(52) **U.S. Cl.**  
USPC ..... **D10/126**

(58) **Field of Classification Search**  
USPC ..... D10/122-126, 30-39, 1-29; 368/223,  
368/228, 229, 231, 232, 233, 239, 76, 77  
See application file for complete search history.

(56) **References Cited**

**U.S. PATENT DOCUMENTS**

1,475,800 A \* 11/1923 Creasy ..... 368/233  
2,202,581 A \* 5/1940 Hammer ..... 368/233  
D181,620 S \* 12/1957 Bloch ..... D10/124  
4,428,682 A \* 1/1984 Winter ..... 368/238  
4,659,232 A \* 4/1987 Coster et al. .... 368/223  
D301,557 S \* 6/1989 Agostini ..... D10/126  
D323,784 S \* 2/1992 Gueit ..... D10/32  
D326,419 S \* 5/1992 Bulgari ..... D10/39  
5,134,595 A \* 7/1992 Faber et al. .... 368/77

\* cited by examiner

*Primary Examiner* — Lucy Lieberman

(57) **CLAIM**

The ornamental design for the combined timepiece dial and hands, as shown and described.

**DESCRIPTION**

FIG. 1 is a top plan view of a combined timepiece dial and hands showing my new design in a position indicative of the time of 2:00:35;

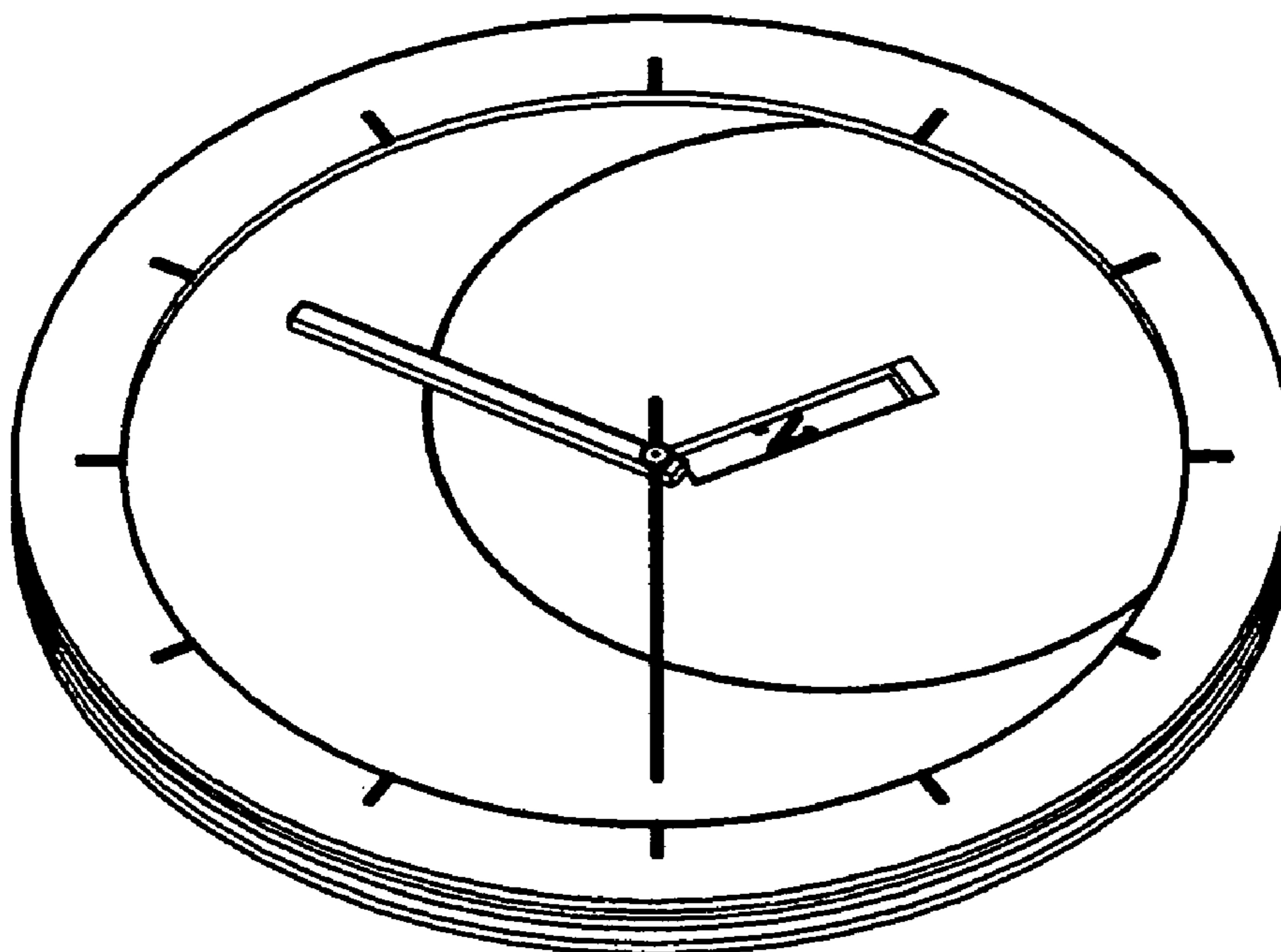
FIG. 2 is a top plan view of the combined timepiece dial and hands of my new design shown in another alternate position, indicative of the time of 5:00:45;

FIG. 3 is a top plan view of the combined timepiece dial and hands of my new design shown in another alternate position, indicative of the time of 9:05:20;

FIG. 4 is a perspective view of the combined timepiece dial and hands of my new design shown in another alternate position, indicative of the time of 1:50:30; and,

FIG. 5 is across-sectional view taken on line 5-5 in FIG. 3. The broken lines in FIG. 3 are used to show portions of a watch case and band that do not form part of the claimed design.

**1 Claim, 3 Drawing Sheets**



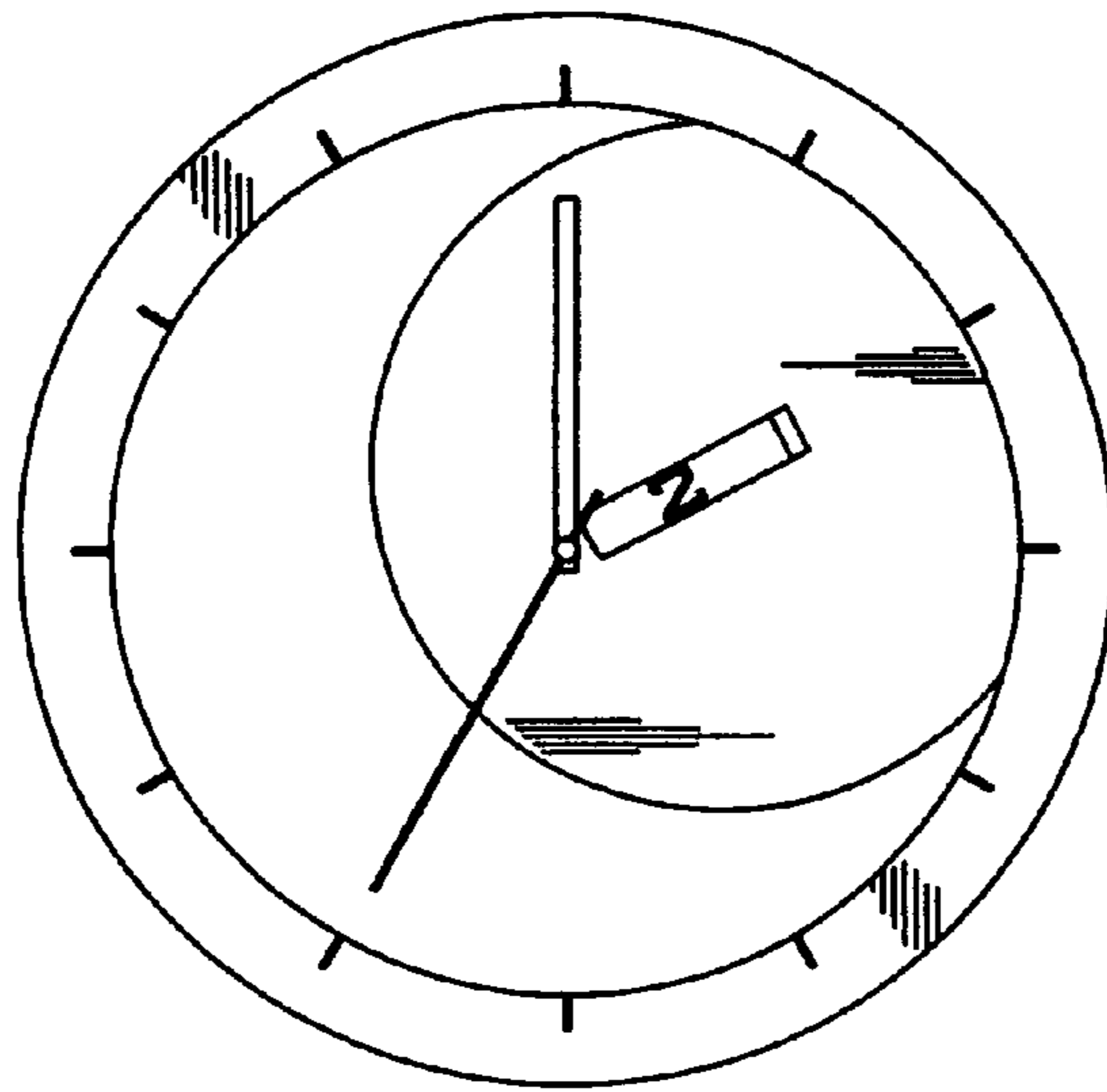


FIG. 1

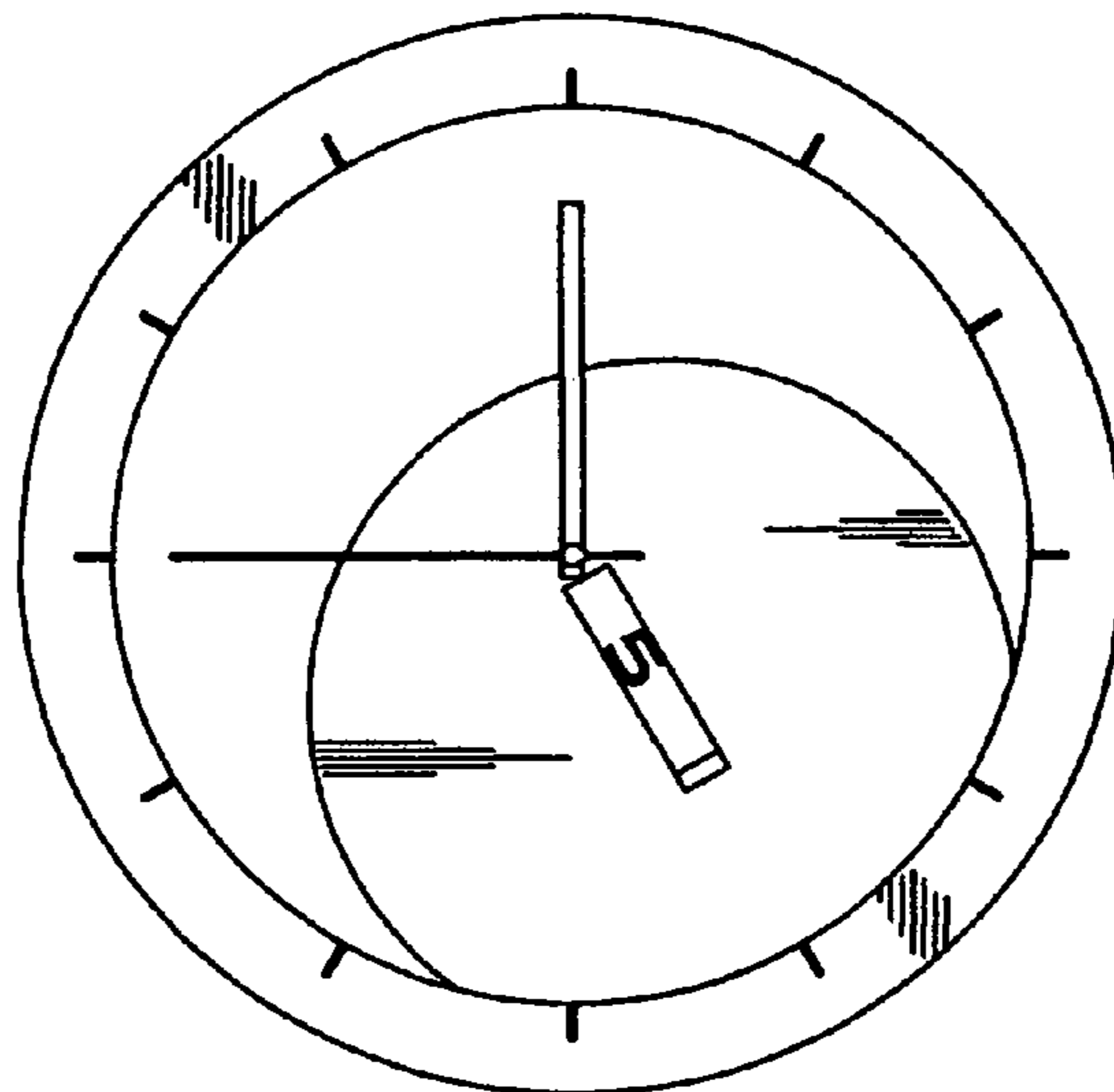


FIG. 2

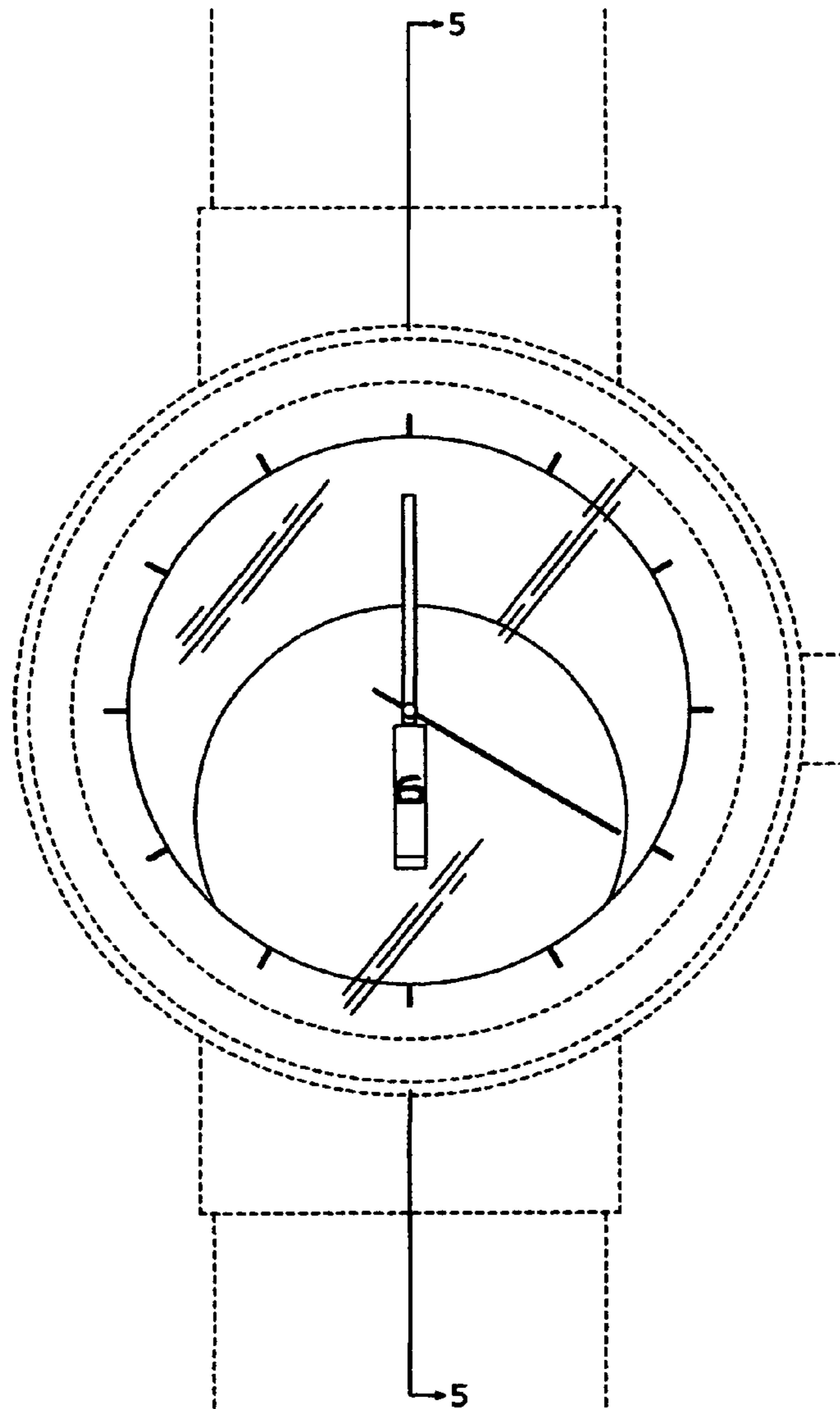


FIG. 3

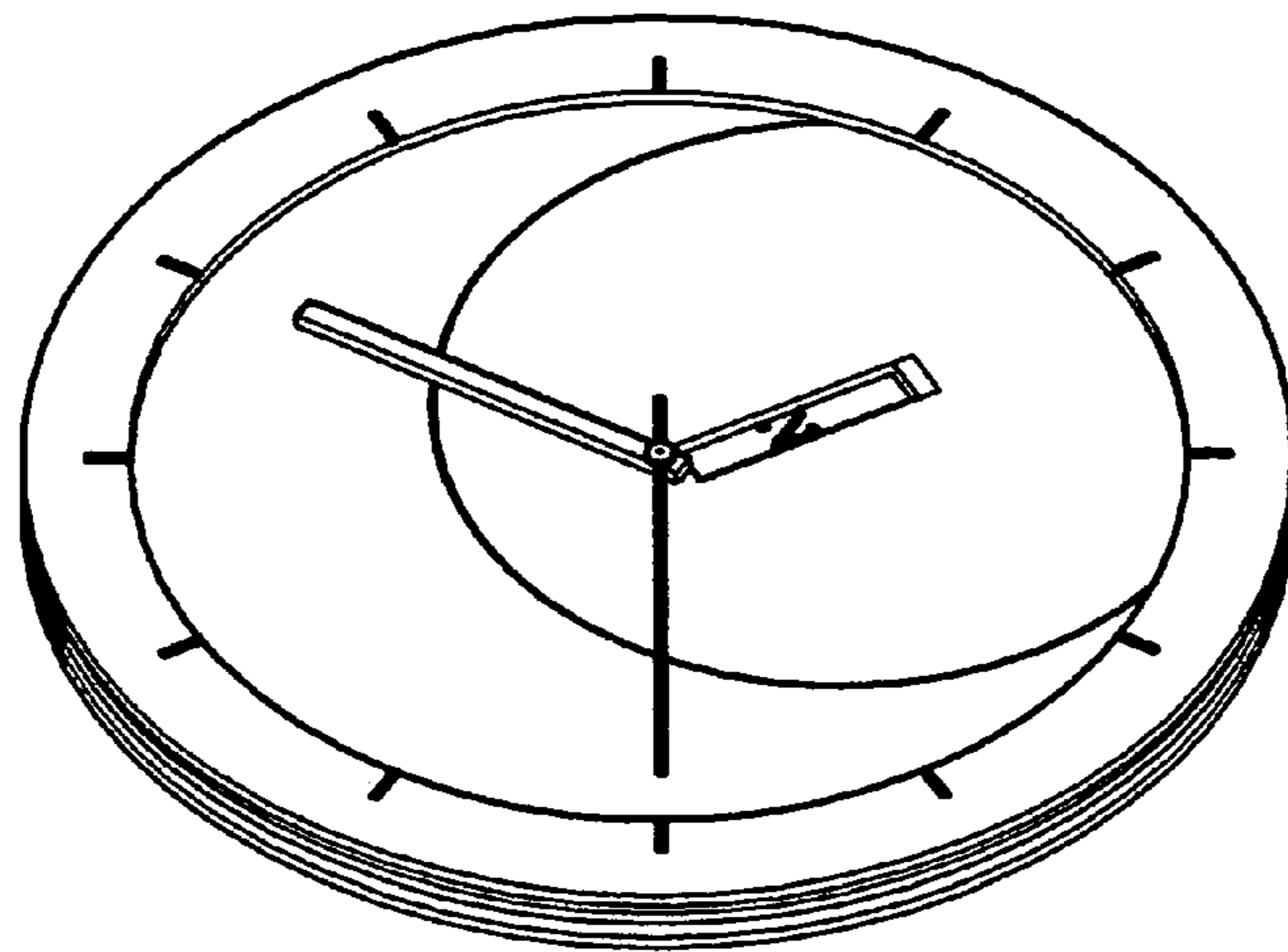


FIG. 4

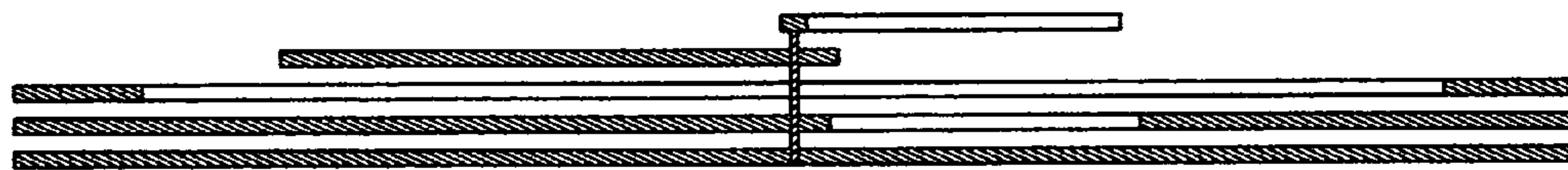


FIG. 5