



US00D686932S

(12) **United States Design Patent**
Kaufman et al.

(10) **Patent No.:** **US D686,932 S**
(45) **Date of Patent:** **** Jul. 30, 2013**

- (54) **PROXIMITY SENSOR**
- (75) Inventors: **Garrett Kaufman**, Evergreen, CO (US);
Peter Kaufman, Marquette, MI (US)
- (73) Assignee: **Essex Electronics, Inc.**, Carpinteria, CA (US)
- (**) Term: **14 Years**
- (21) Appl. No.: **29/416,506**
- (22) Filed: **Mar. 22, 2012**
- (51) **LOC (9) Cl.** **10-05**
- (52) **U.S. Cl.**
USPC **D10/106.8**
- (58) **Field of Classification Search**
USPC .. D10/106.6, 106.8; D13/158, 171; D14/489,
D14/493; 250/214 AL; 200/10; 251/129.04;
323/282; 362/641
See application file for complete search history.

D634,661	S	*	3/2011	Kaufman et al.	D10/106.8
D634,662	S	*	3/2011	Kaufman et al.	D10/106.8
D635,102	S	*	3/2011	Tsui et al.	D13/171
D639,194	S	*	6/2011	Kaufman et al.	D10/106.8
D639,195	S	*	6/2011	Kaufman et al.	D10/106.8
2004/0206609	A1	*	10/2004	Tilley	200/10
2009/0115385	A1	*	5/2009	Williams et al.	323/282

* cited by examiner

Primary Examiner — George D Kirschbaum
(74) *Attorney, Agent, or Firm* — Lewis and Roca LLP

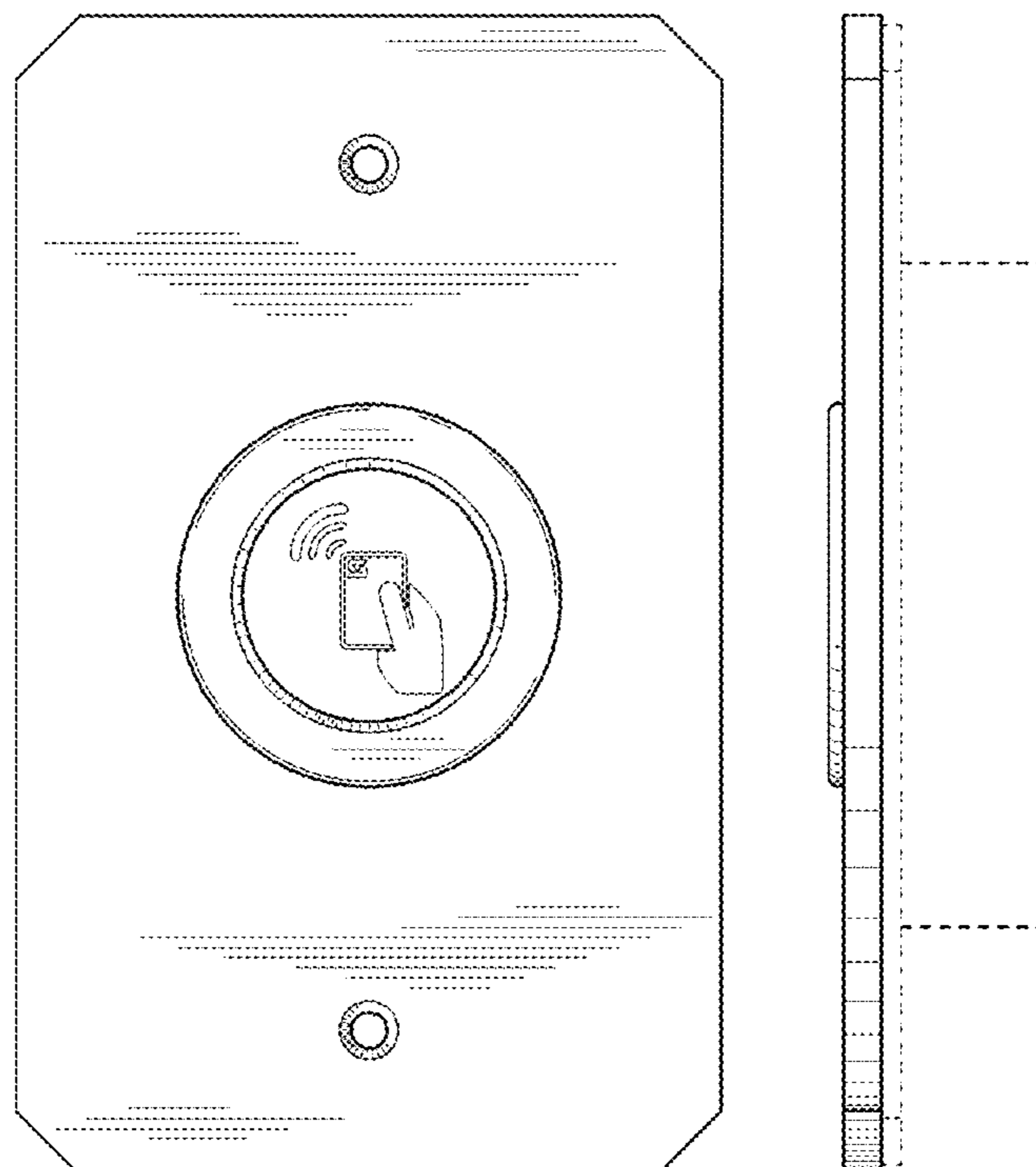
(57) **CLAIM**
The ornamental design for a proximity sensor, as shown and described.

DESCRIPTION

FIG. 1 illustrating a front view of a proximity sensor showing our new design;
 FIG. 2 illustrating a right side view of a proximity sensor showing our new design;
 FIG. 3 illustrating a bottom view of a proximity sensor showing our new design;
 FIG. 4 illustrating a top view of a proximity sensor showing our new design;
 FIG. 5 illustrating a back view of a proximity sensor showing our new design; and,
 FIG. 6 illustrating a back view of a proximity sensor showing our new design.
 The broken line showing is included for the purpose of illustrating portions of the “article” and forms no part of the claimed design.

1 Claim, 3 Drawing Sheets

- (56) **References Cited**
U.S. PATENT DOCUMENTS
4,125,767 A * 11/1978 Silver 250/214 D
D359,252 S * 6/1995 Wilkes et al. D10/110
D376,130 S * 12/1996 Elwell et al. D13/158
D402,269 S * 12/1998 Waters D13/171
D422,991 S * 4/2000 Regan et al. D14/493
D434,387 S * 11/2000 Taylor D13/158
D450,611 S * 11/2001 Stewart et al. D10/106.6
D527,713 S * 9/2006 Indio da Costa D13/171
D535,204 S * 1/2007 Bender et al. D10/106.8
D560,617 S * 1/2008 Poulet D13/158
7,758,234 B1 * 7/2010 Savicki et al. 362/641



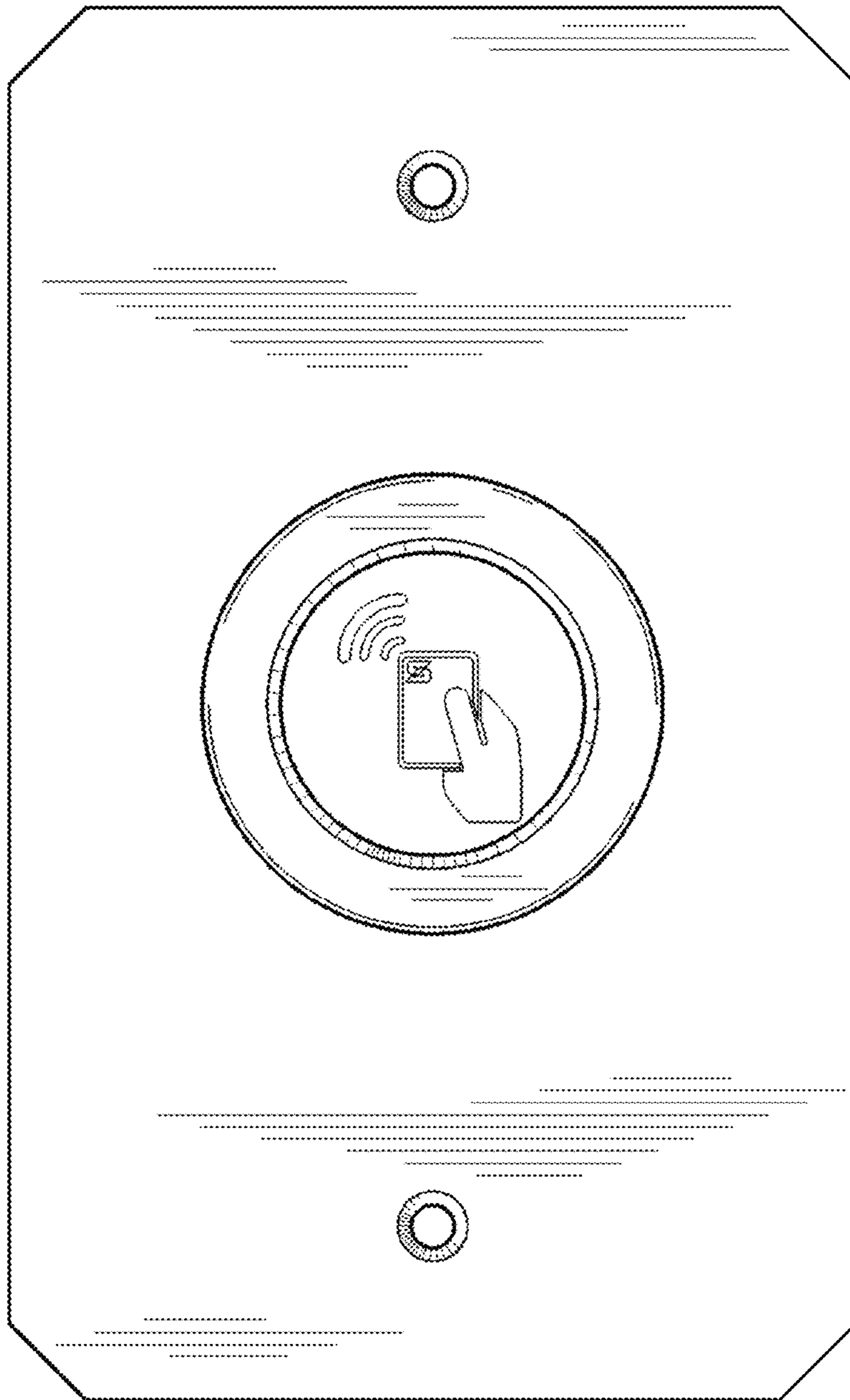


FIG. 1

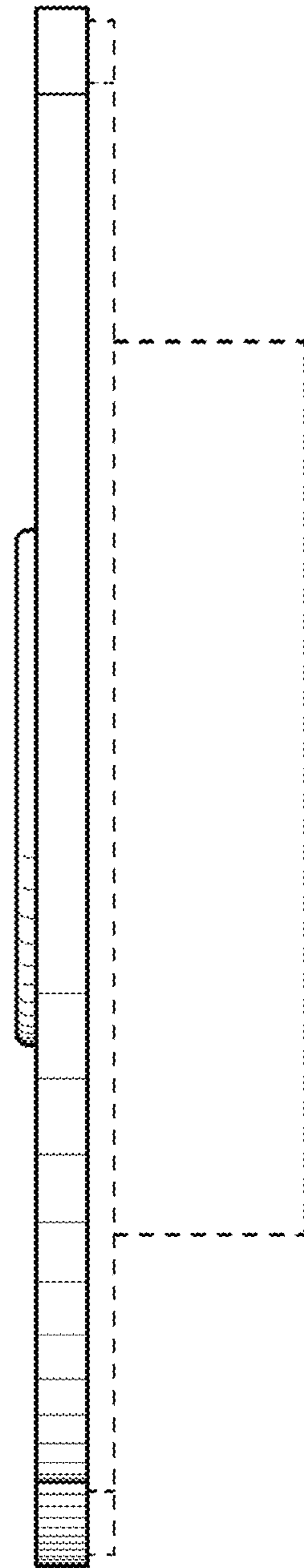


FIG. 2

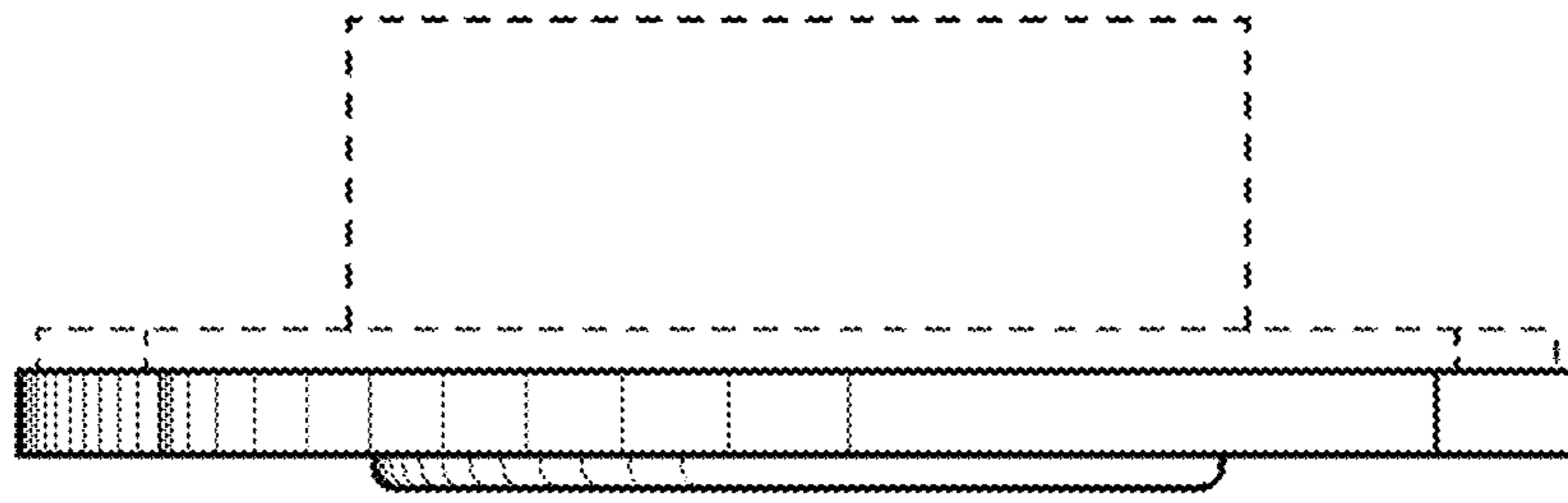


FIG. 3

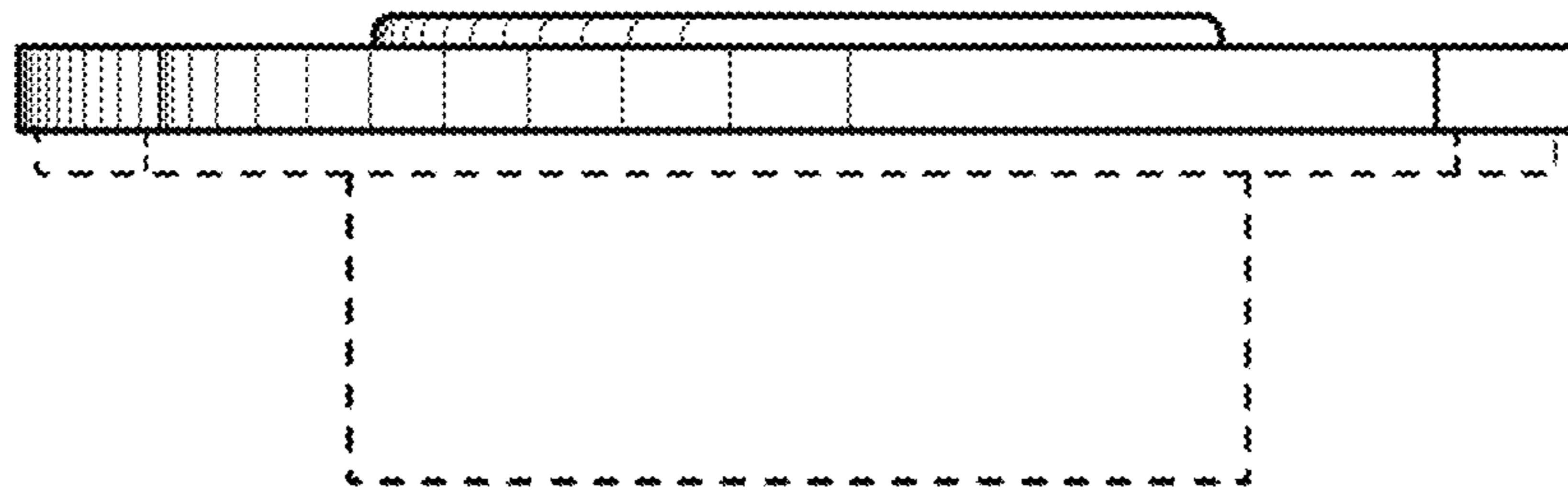


FIG. 4

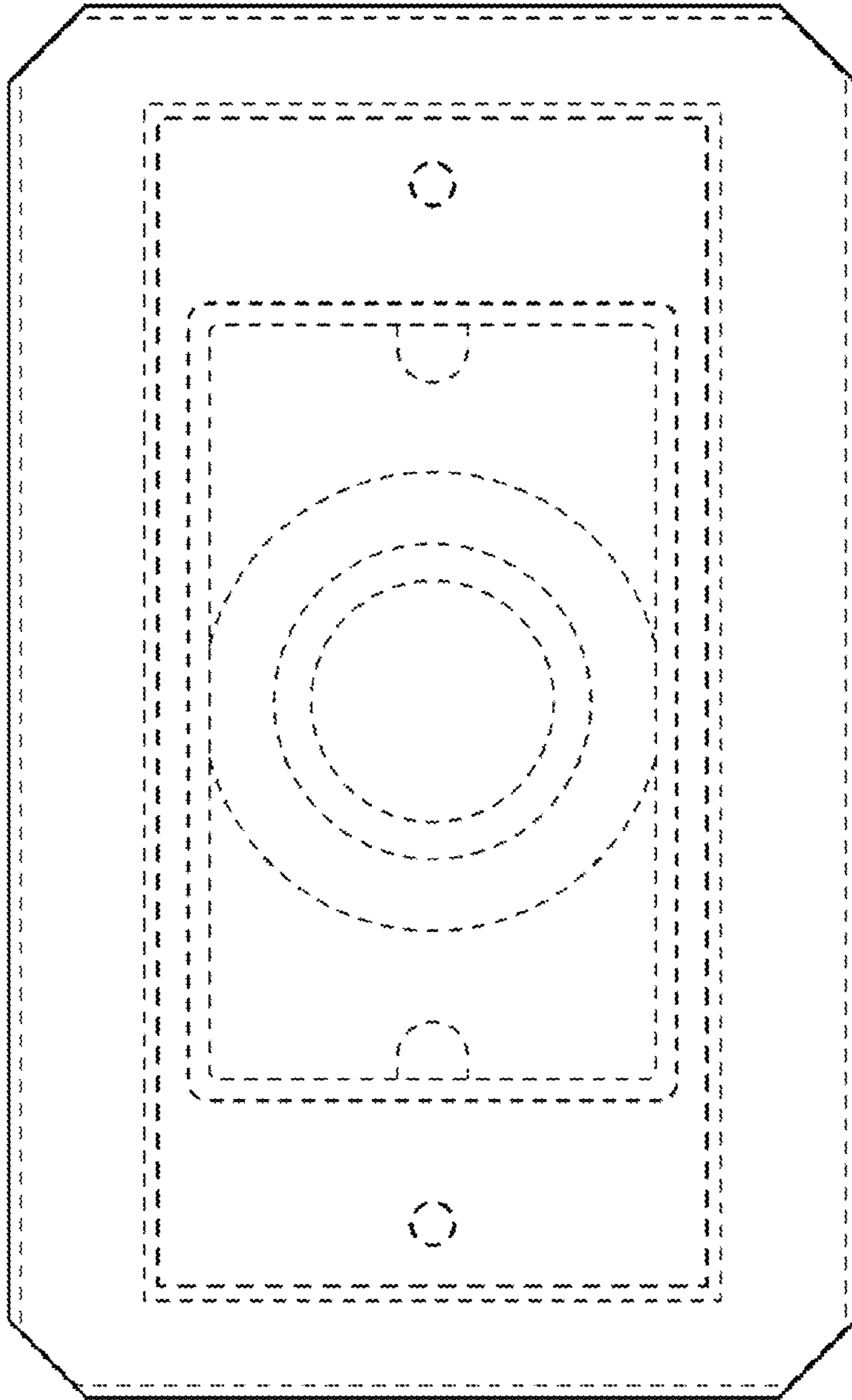


FIG. 5

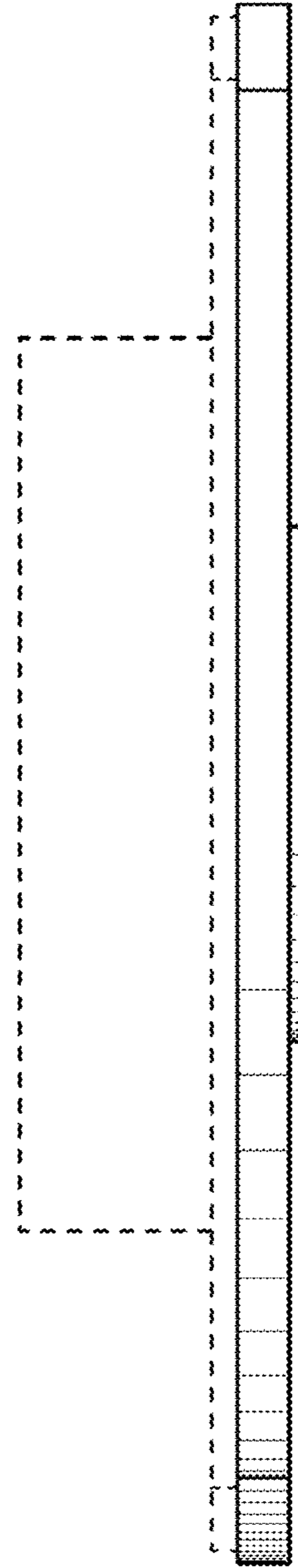


FIG. 6