



US00D686928S

(12) **United States Design Patent**
Cornu

(10) **Patent No.:** **US D686,928 S**

(45) **Date of Patent:** **** Jul. 30, 2013**

(54) **HOUSING FOR A FORCE SENSOR THAT MEASURES THE WEIGHT OF VEHICLES THAT PASS THE SENSOR ON THE ROAD**

D386,431 S * 11/1997 Nagai et al. D10/94
D386,702 S * 11/1997 Nagai et al. D10/94
D469,886 S * 2/2003 Barnett D25/119
D550,861 S * 9/2007 Brabeck et al. D25/123

(75) Inventor: **David Cornu**, Bellinzona (CH)

* cited by examiner

(73) Assignee: **Kistler Holding AG**, Winterthur (CH)

Primary Examiner — Antoine D Davis

(**) Term: **14 Years**

(74) *Attorney, Agent, or Firm* — Dority & Manning, P.A.

(21) Appl. No.: **29/419,847**

(57) **CLAIM**

(22) Filed: **May 2, 2012**

The ornamental design for a housing for a force sensor that measures the weight of vehicles that pass the sensor on the road, as shown and described.

(30) **Foreign Application Priority Data**

DESCRIPTION

Jul. 11, 2011 (CN) 2011 3 0410764

FIG. 1 is an elevated perspective view of an embodiment of the ornamental design for a housing for a force sensor that measures the weight of vehicles that pass the sensor on the road;

(51) **LOC (9) Cl.** **08-05**

(52) **U.S. Cl.**
USPC **D10/87**; D10/94; D10/95

FIG. 2 is an enlarged perspective view of the housing of FIG. 1 taken from the front or the back section thereof;

(58) **Field of Classification Search**
USPC D10/87, 94, 95; D25/119–125; 52/301;
73/1.13; 177/132–136, 139, 200, 246;
256/65.01, 65.02, 65.11, 65.14; 340/666;
702/101, 173–175

FIG. 3 is a top plan view of the housing of FIG. 1 with the redundant middle portion omitted;

See application file for complete search history.

FIG. 4 is a bottom plan view of the housing of FIG. 1 with the redundant middle portion omitted;

(56) **References Cited**

U.S. PATENT DOCUMENTS

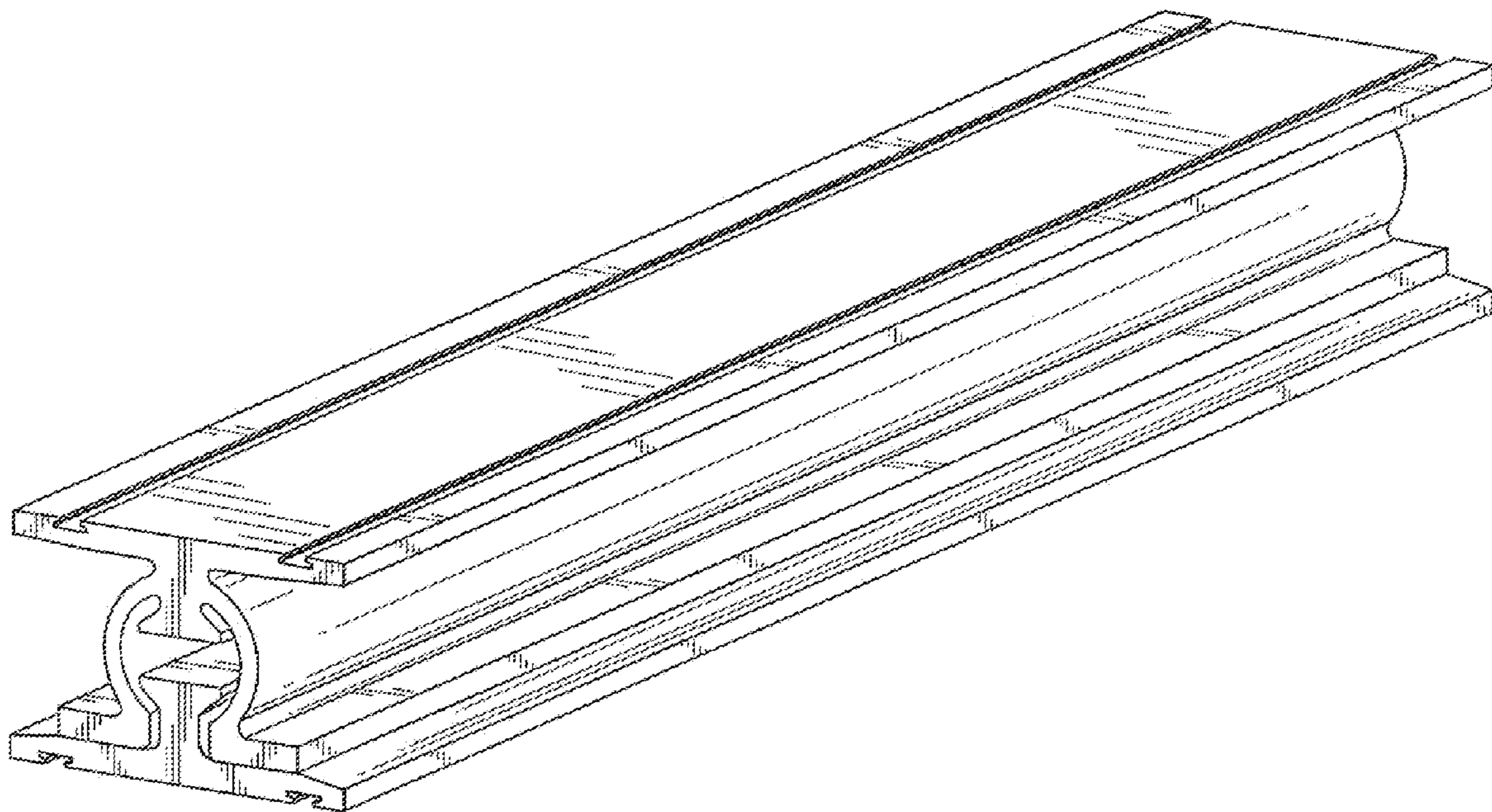
D370,423 S * 6/1996 Nagai et al. D10/94
D370,424 S * 6/1996 Nagai et al. D10/94
D373,738 S * 9/1996 Nagai et al. D10/94

FIG. 5 is a plan view of the front of the housing of FIG. 1, the back view being identical thereof;

FIG. 6 is a plan view of the left side of the housing of FIG. 1 with the redundant middle portion omitted; and,

FIG. 7 is a plan view of the right side of FIG. 1 with the redundant middle portion omitted.

1 Claim, 4 Drawing Sheets



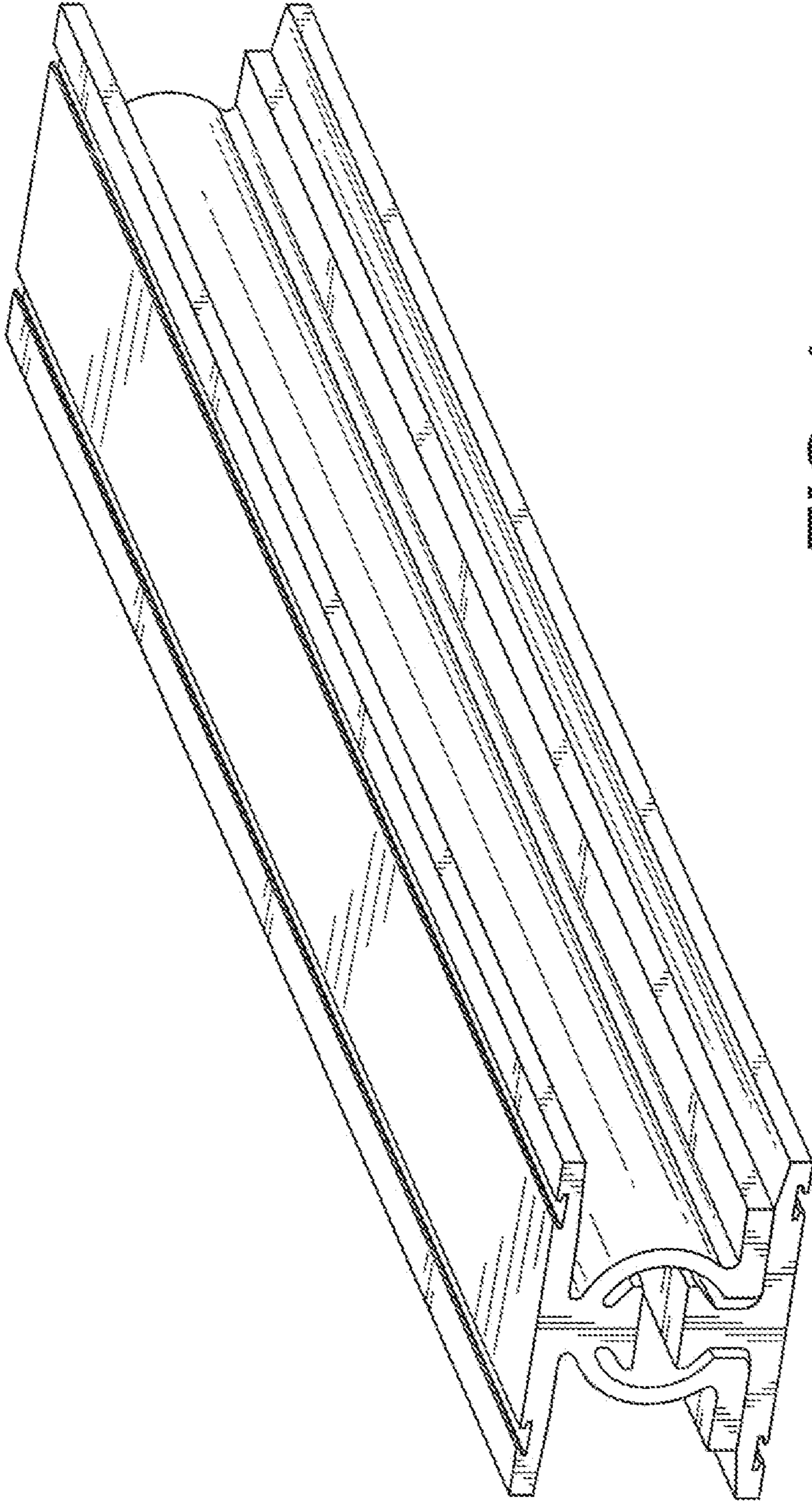


FIG. 1

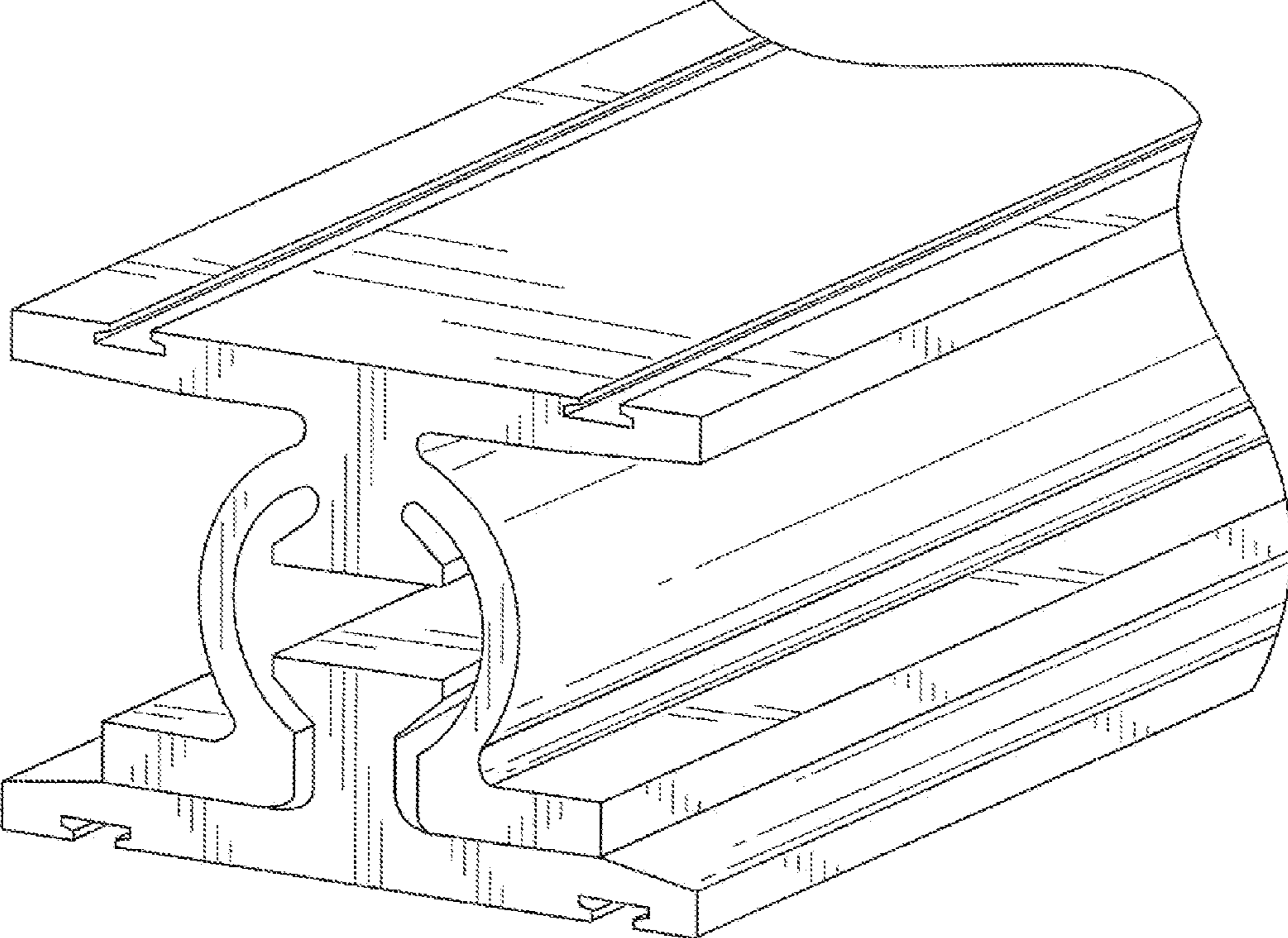


FIG. 2

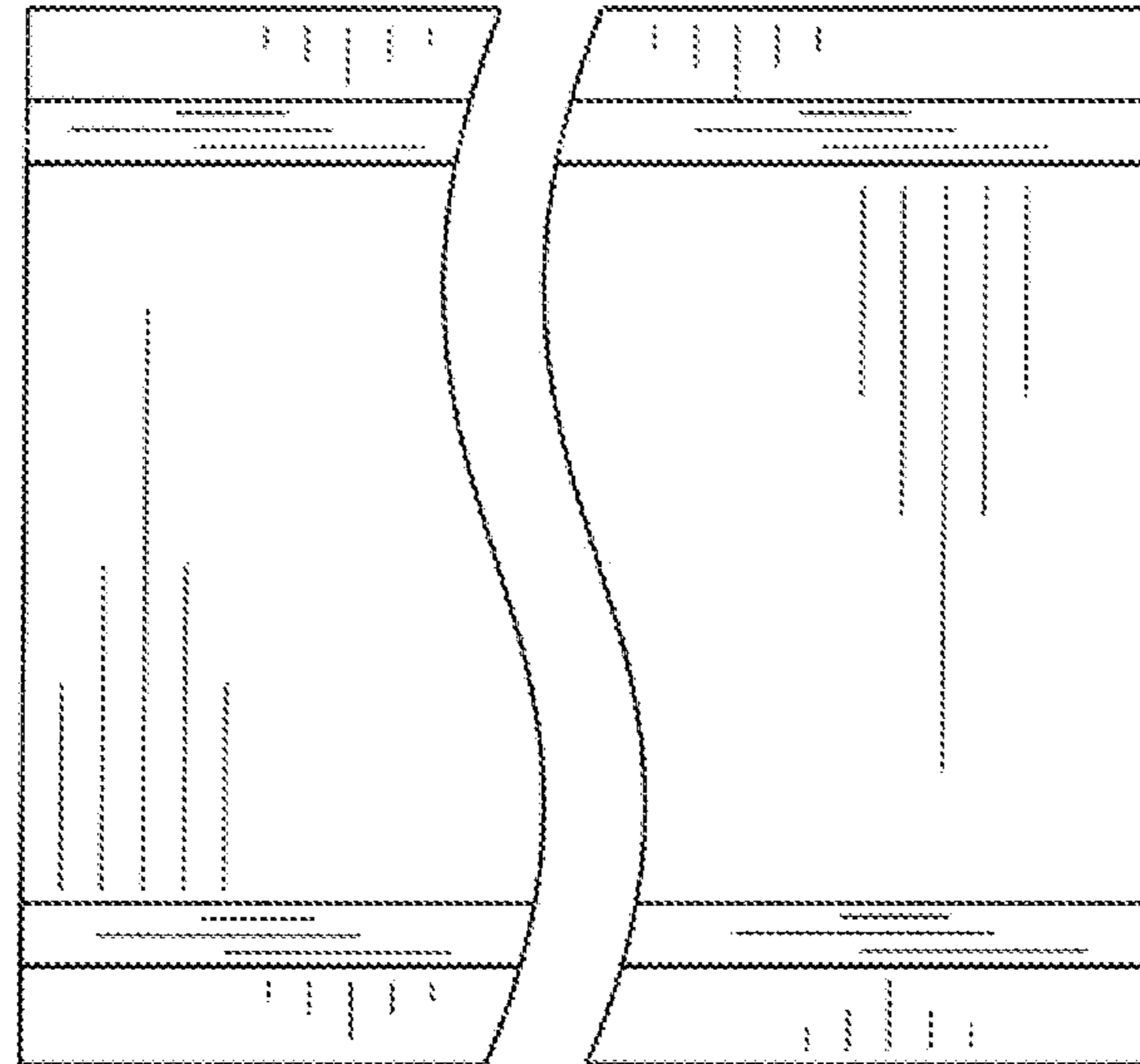


FIG. 4

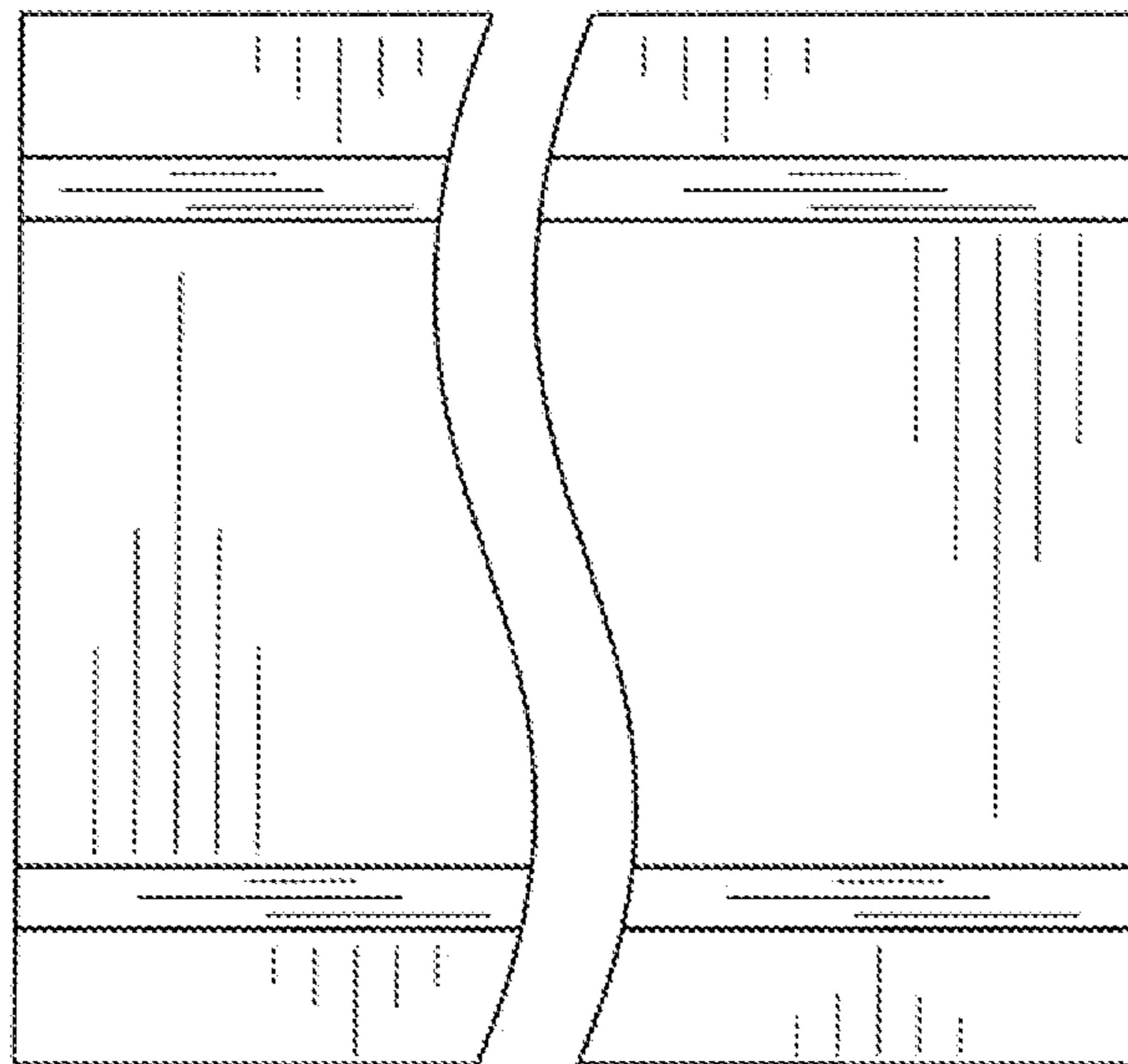


FIG. 3

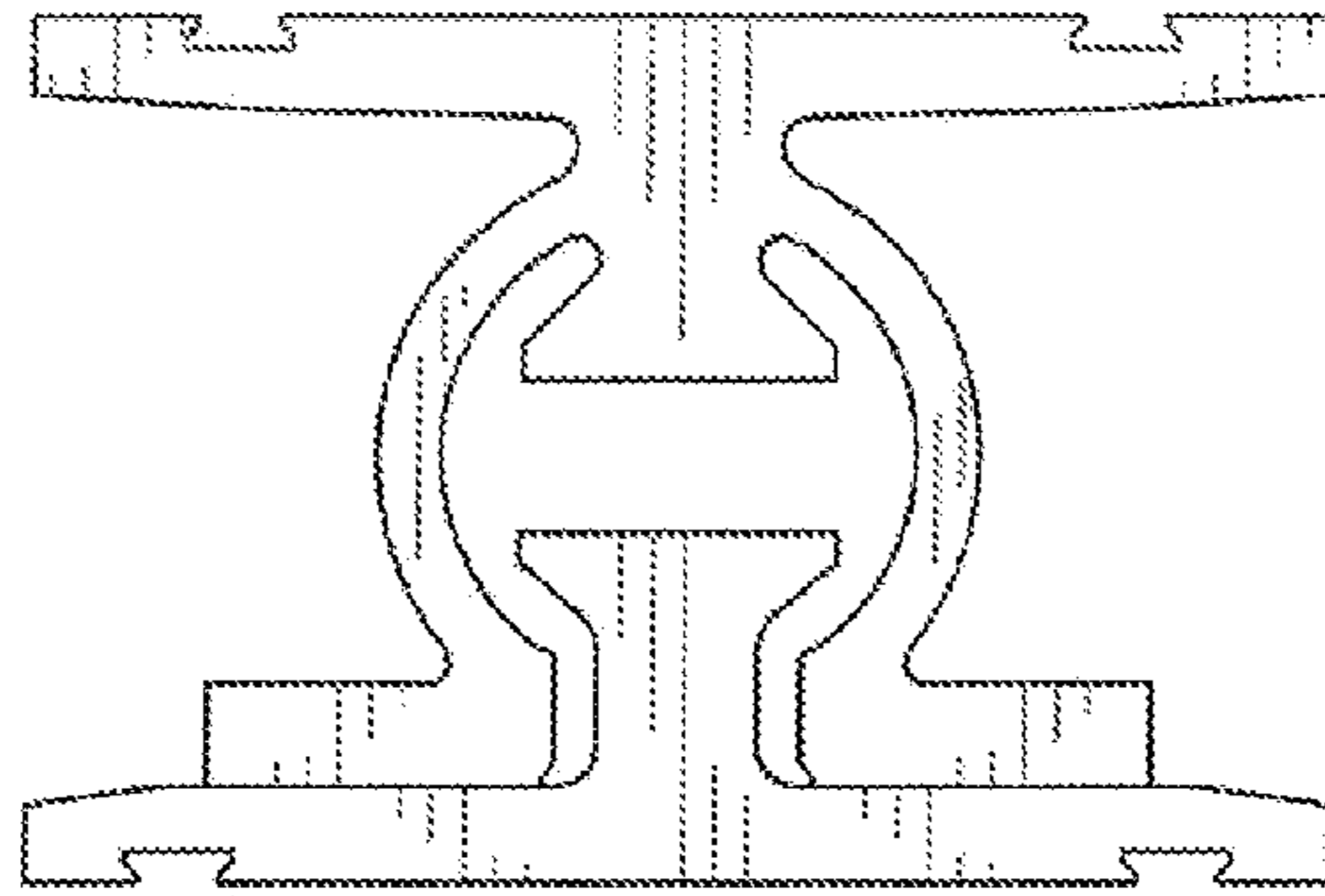


FIG. 5

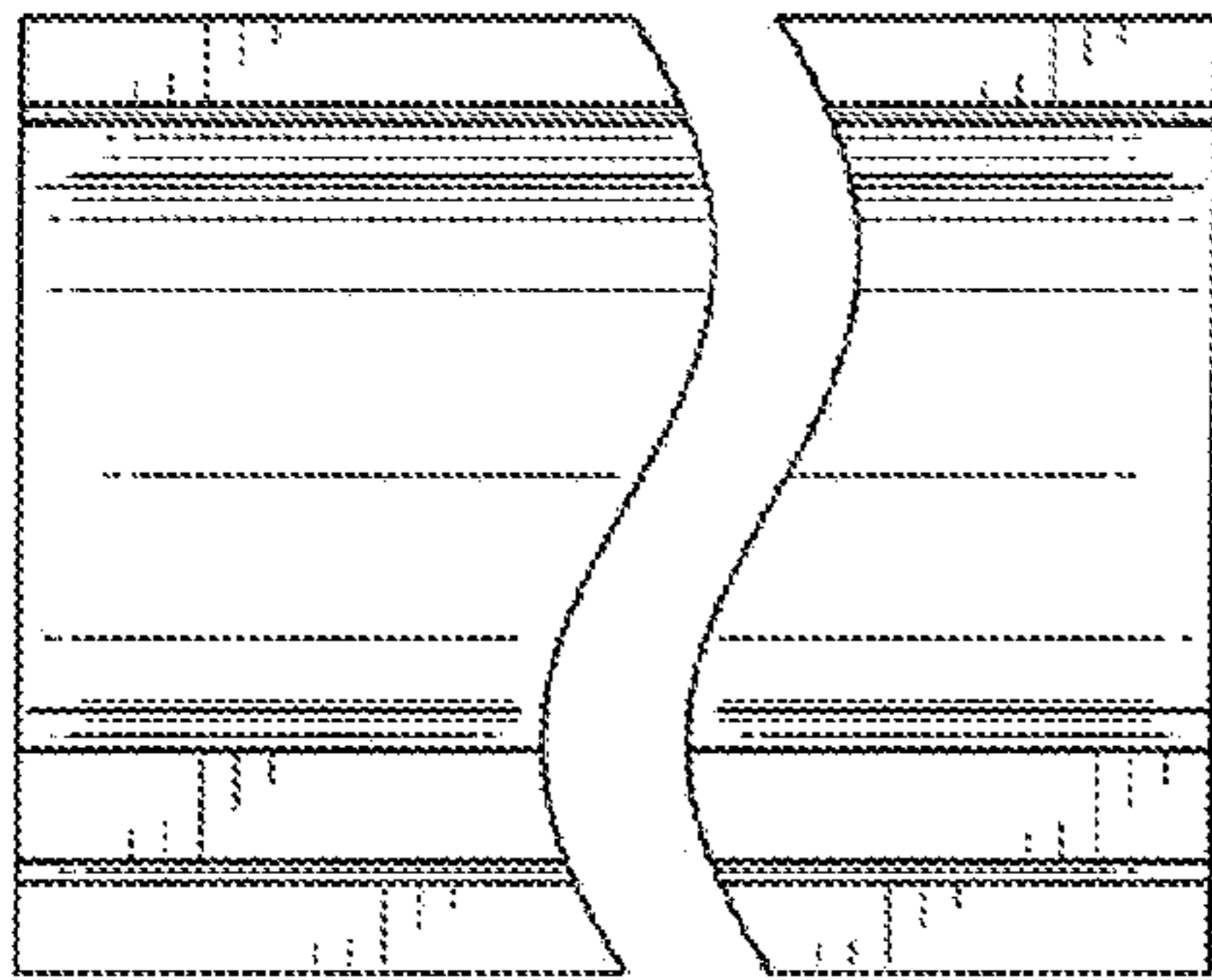


FIG. 6

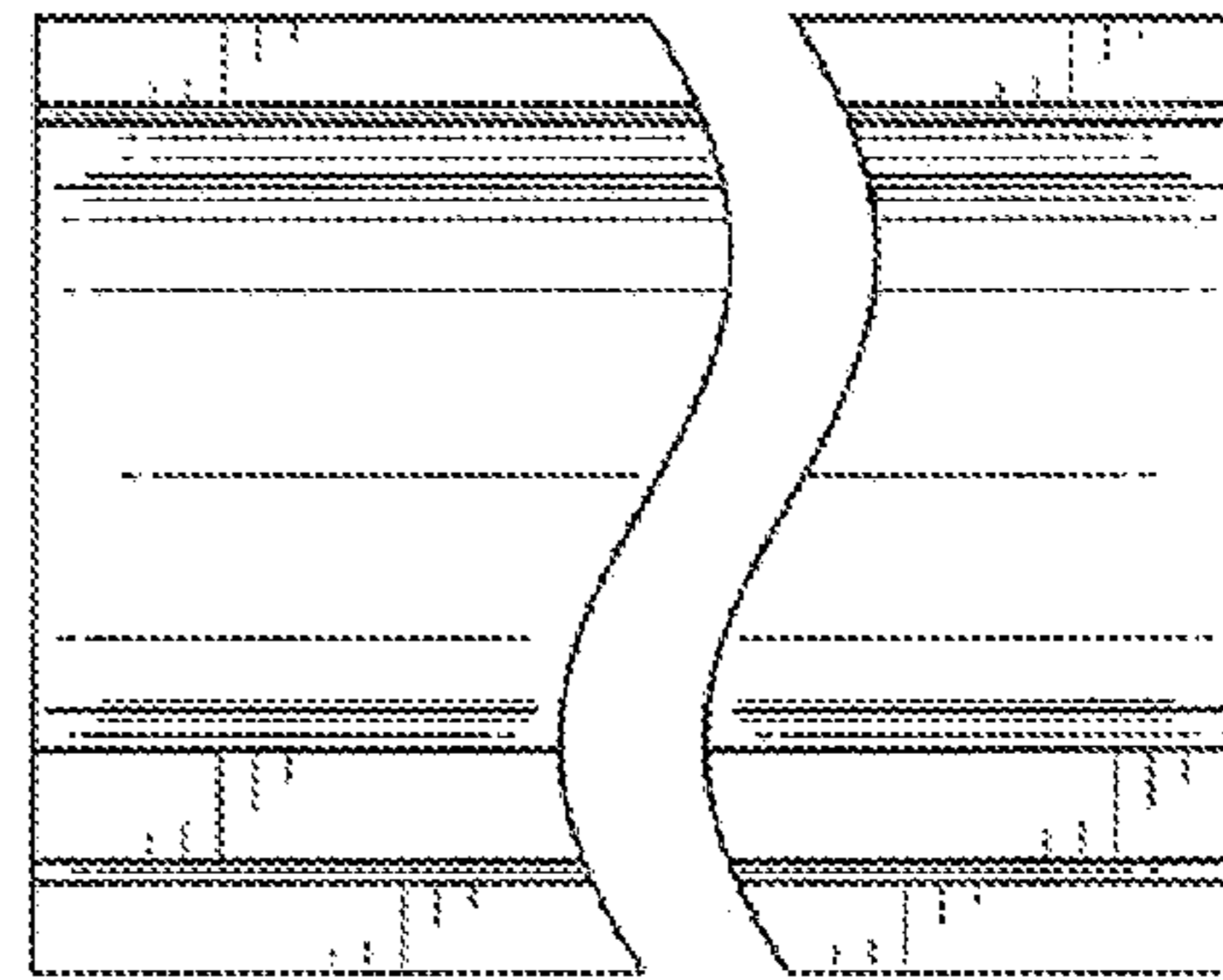


FIG. 7

UNITED STATES PATENT AND TRADEMARK OFFICE
CERTIFICATE OF CORRECTION

PATENT NO. : D686,928 S
APPLICATION NO. : 29/419847
DATED : July 30, 2013
INVENTOR(S) : David Cornu

Page 1 of 1

It is certified that error appears in the above-identified patent and that said Letters Patent is hereby corrected as shown below:

On the title page item (30), under Foreign Application Priority Data

Jul. 11, 2011 should read -- Nov. 7, 2011 --

Signed and Sealed this
Twenty-fifth Day of March, 2014



Michelle K. Lee
Deputy Director of the United States Patent and Trademark Office