



US00D686927S

(12) **United States Design Patent**
Matuschek et al.

(10) **Patent No.:** **US D686,927 S**
(45) **Date of Patent:** **** Jul. 30, 2013**

(54) **STYLUS PLATE FOR A PROBE HEAD**

(56) **References Cited**

(75) Inventors: **Walter Matuschek**, Aalen (DE);
Christian Siegel, Aalen (DE); **Tobias**
Woletz, Essingen (DE); **Walter Jenisch**,
Heidenheim (DE); **Kurt Brenner**,
Satteldorf (DE); **Thomas Engel**, Aalen
(DE)

U.S. PATENT DOCUMENTS

2,275,839	A *	3/1942	Boehne	335/220
4,637,119	A *	1/1987	Schneider et al.	33/561
4,649,623	A *	3/1987	Schneider et al.	33/561
4,938,083	A *	7/1990	Gurny et al.	73/866.5
6,608,478	B1 *	8/2003	Dziech et al.	73/866.5

* cited by examiner

Primary Examiner — Antoine D Davis

(73) Assignee: **Carl Zeiss Industrielle Messtechnik**
GmbH, Oberkochen (DE)

(74) *Attorney, Agent, or Firm* — Harness, Dickey & Pierce,
P.L.C.

(**) Term: **14 Years**

(57) **CLAIM**

The ornamental design for a stylus plate for a probe head, as shown and described.

(21) Appl. No.: **29/404,528**

DESCRIPTION

(22) Filed: **Oct. 21, 2011**

(30) **Foreign Application Priority Data**

Apr. 29, 2011 (EM) 00185746700010010

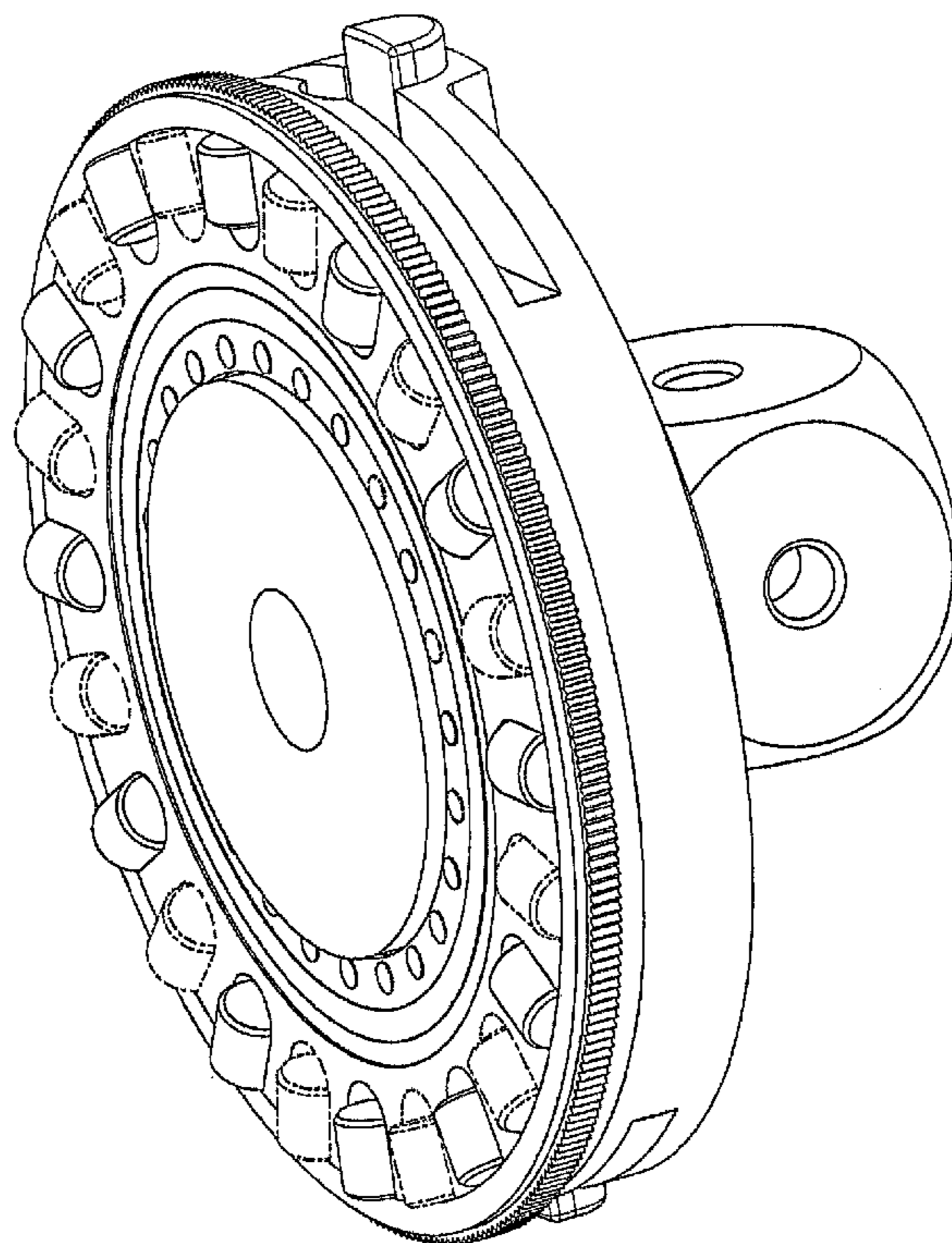
(51) **LOC (9) Cl.** **10-04**

(52) **U.S. Cl.**
USPC **D10/74**

(58) **Field of Classification Search**
USPC D10/74; 73/866.5; 33/559
See application file for complete search history.

FIG. 1 is a perspective view of a stylus plate for a probe head embodying our new design;
FIG. 2 is a front elevational view of the stylus plate shown in FIG. 1;
FIG. 3 is a rear elevational view of the stylus plate shown in FIG. 1;
FIG. 4 is a right end view of the stylus plate shown in FIG. 1;
FIG. 5 is a left end view of the stylus plate shown in FIG. 1;
FIG. 6 is a top elevational view of the stylus plate shown in FIG. 1; and,
FIG. 7 is a bottom elevational view of the stylus plate shown in FIG. 1.

1 Claim, 7 Drawing Sheets



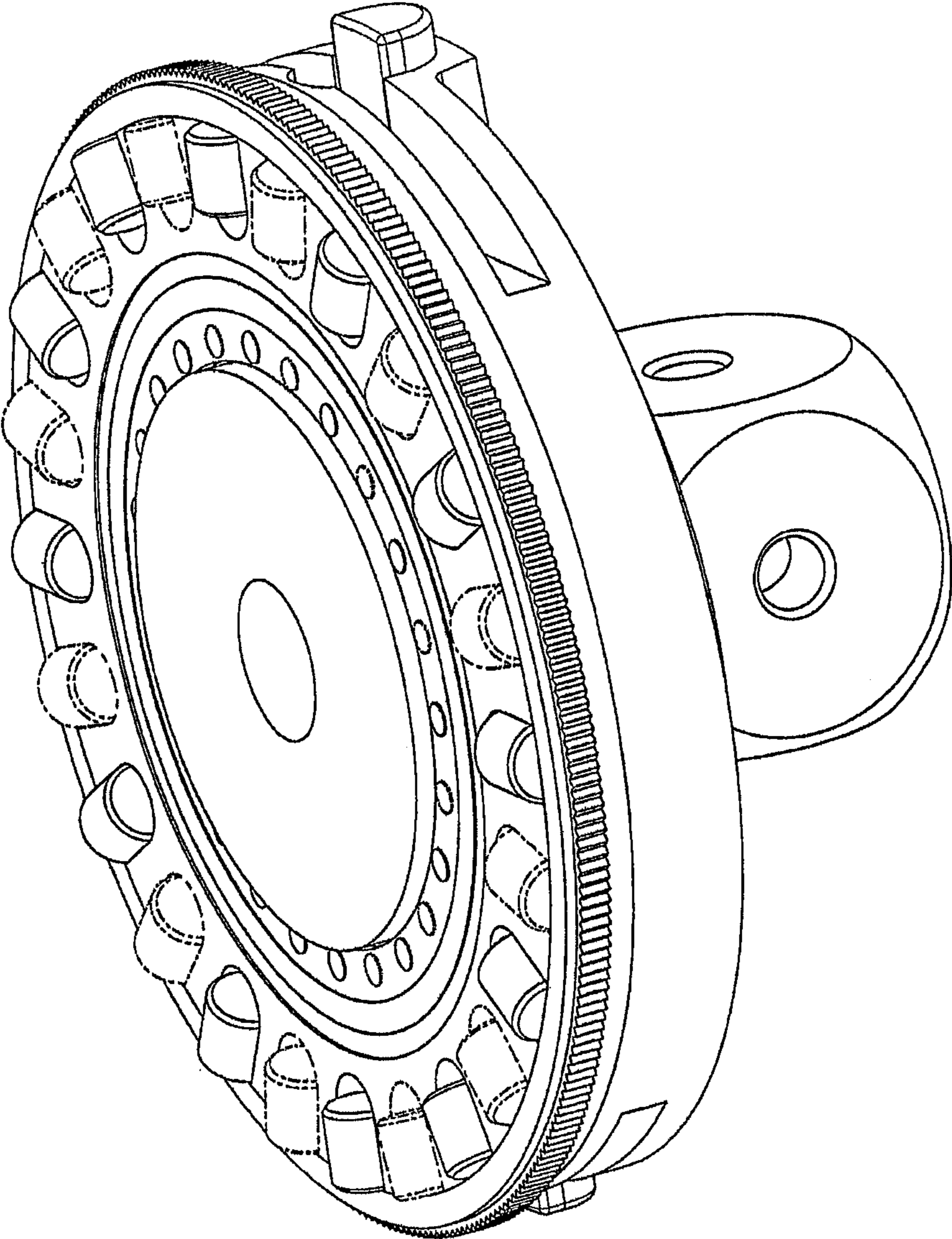


FIG. 1

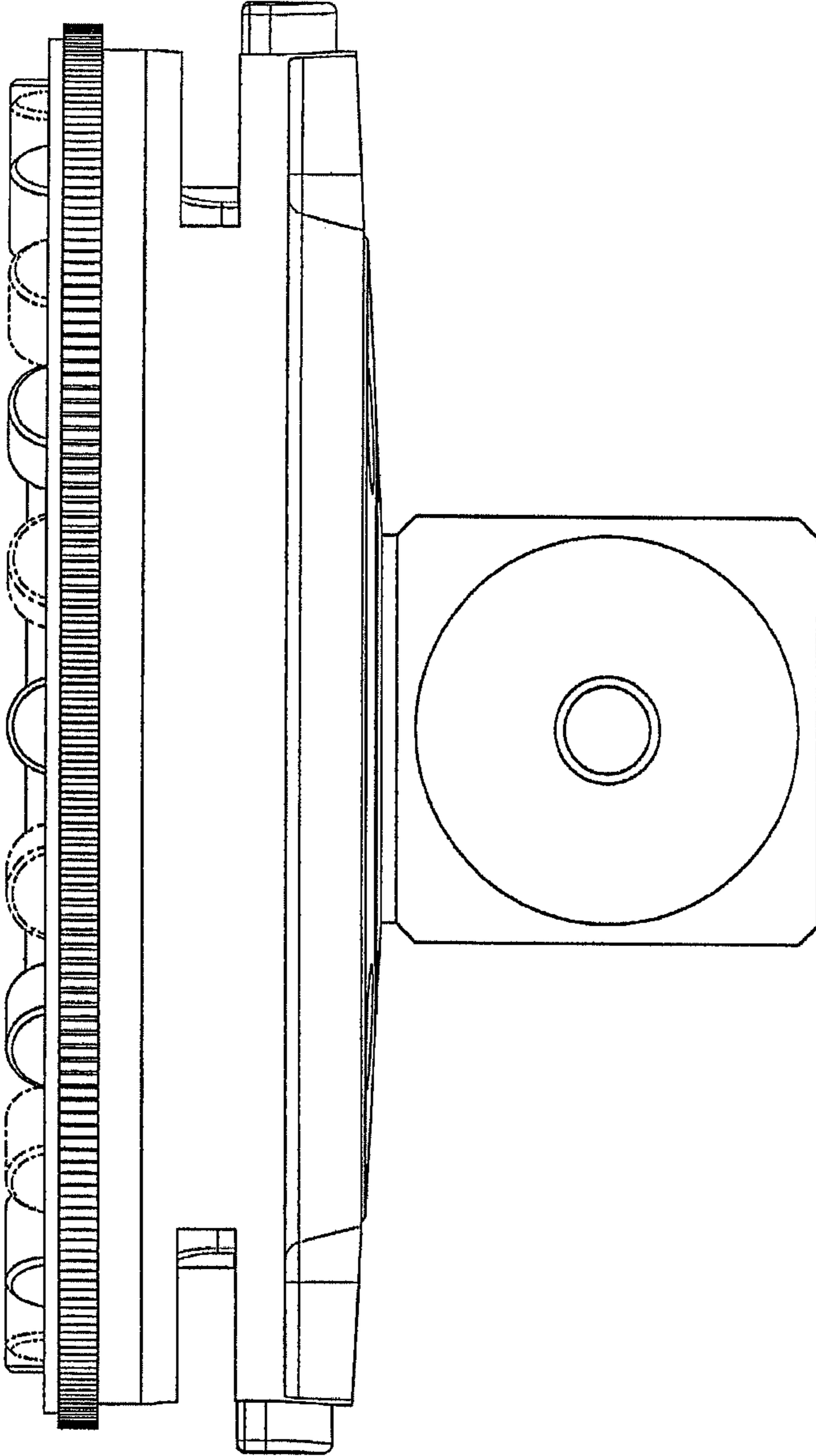


FIG. 2

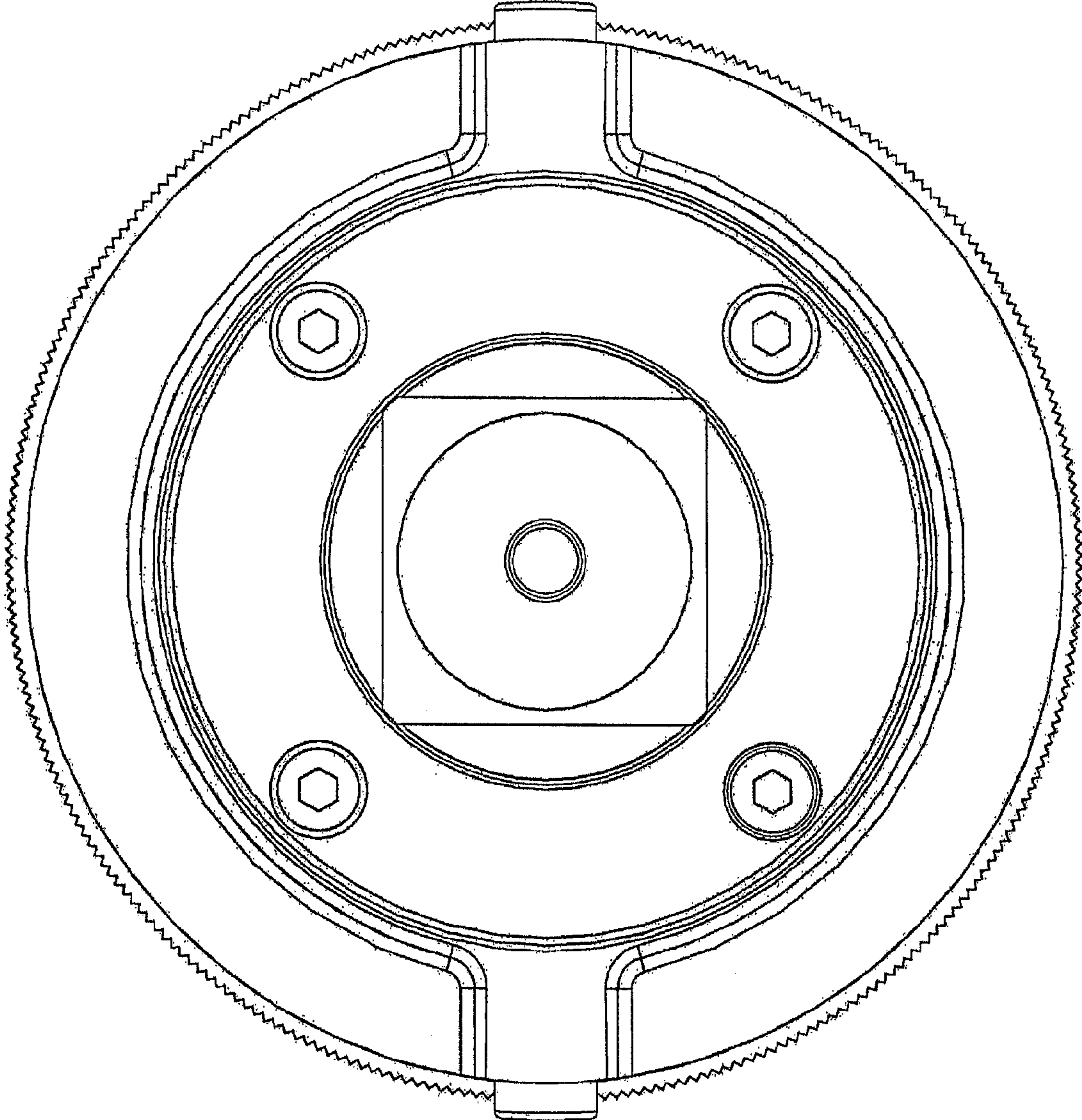


FIG. 3

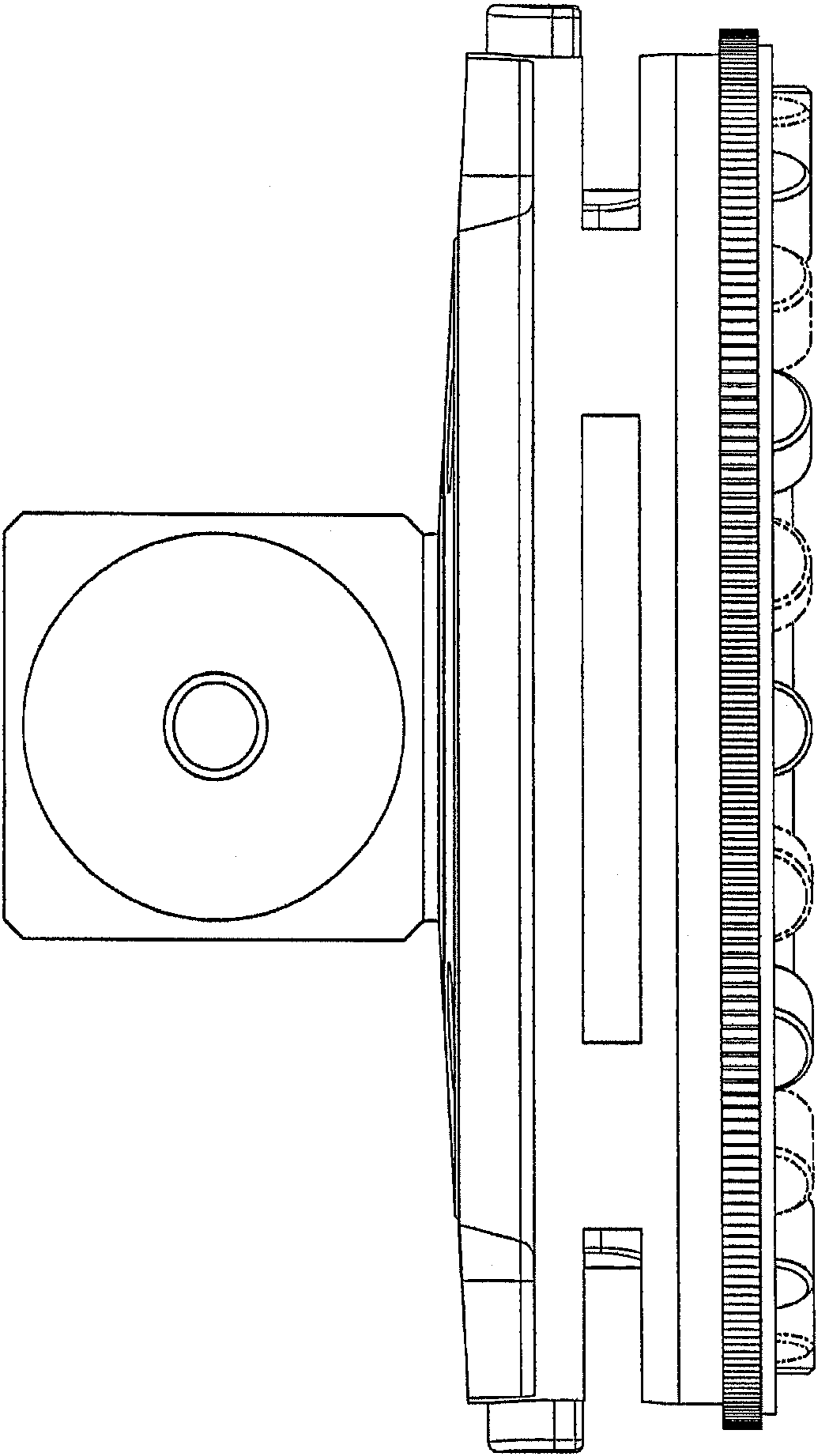


FIG. 4

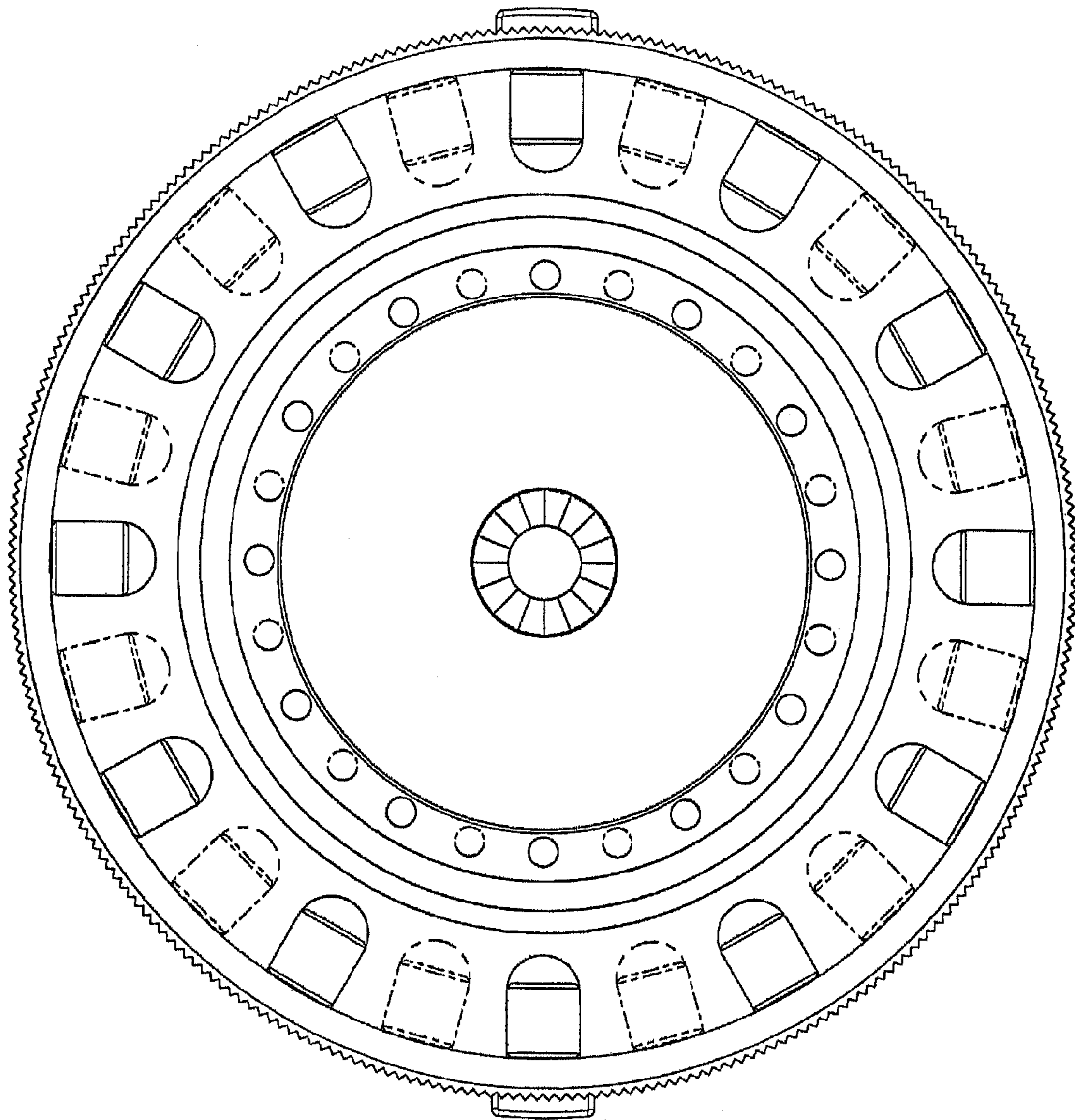


FIG. 5

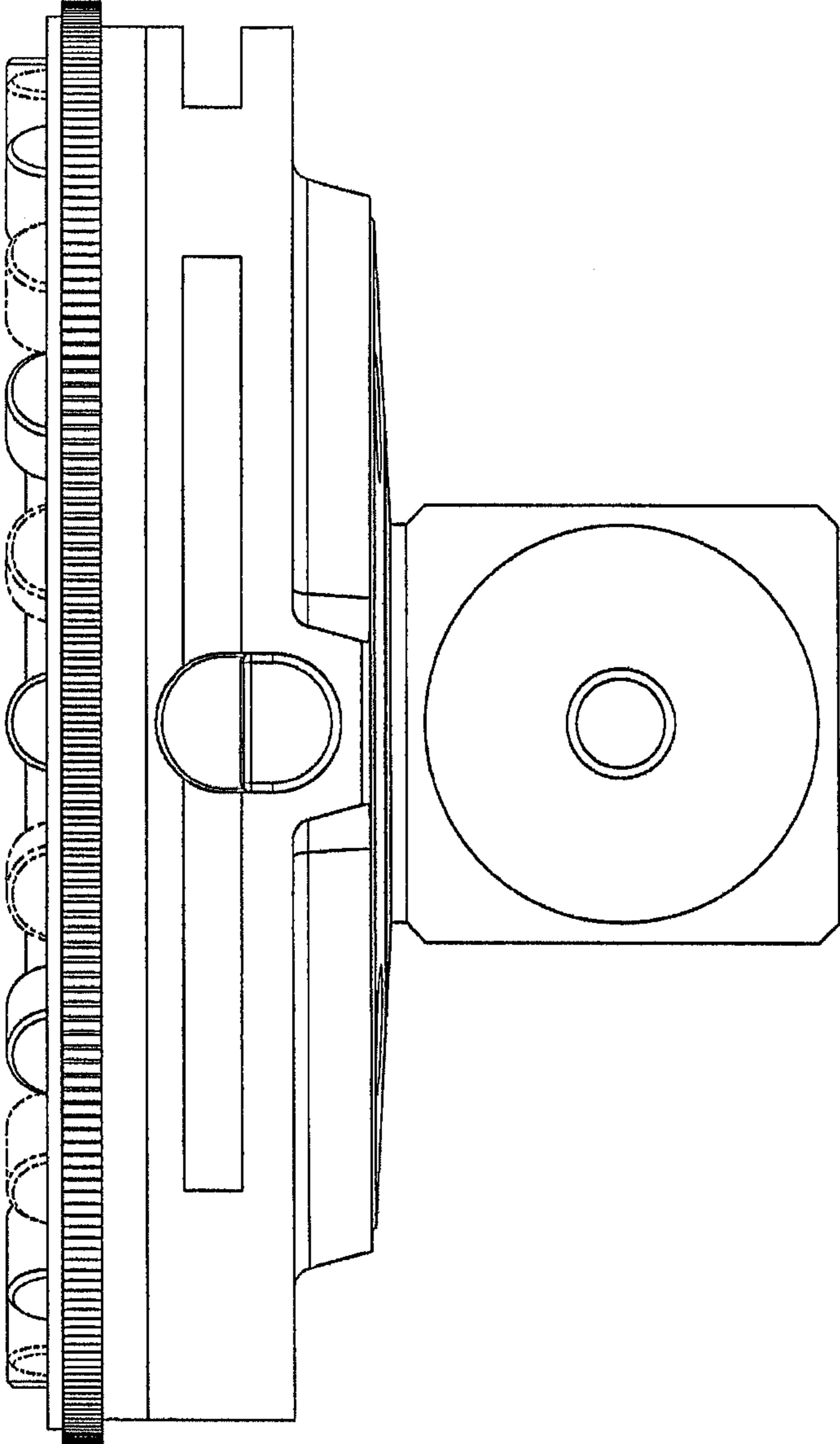


FIG. 6

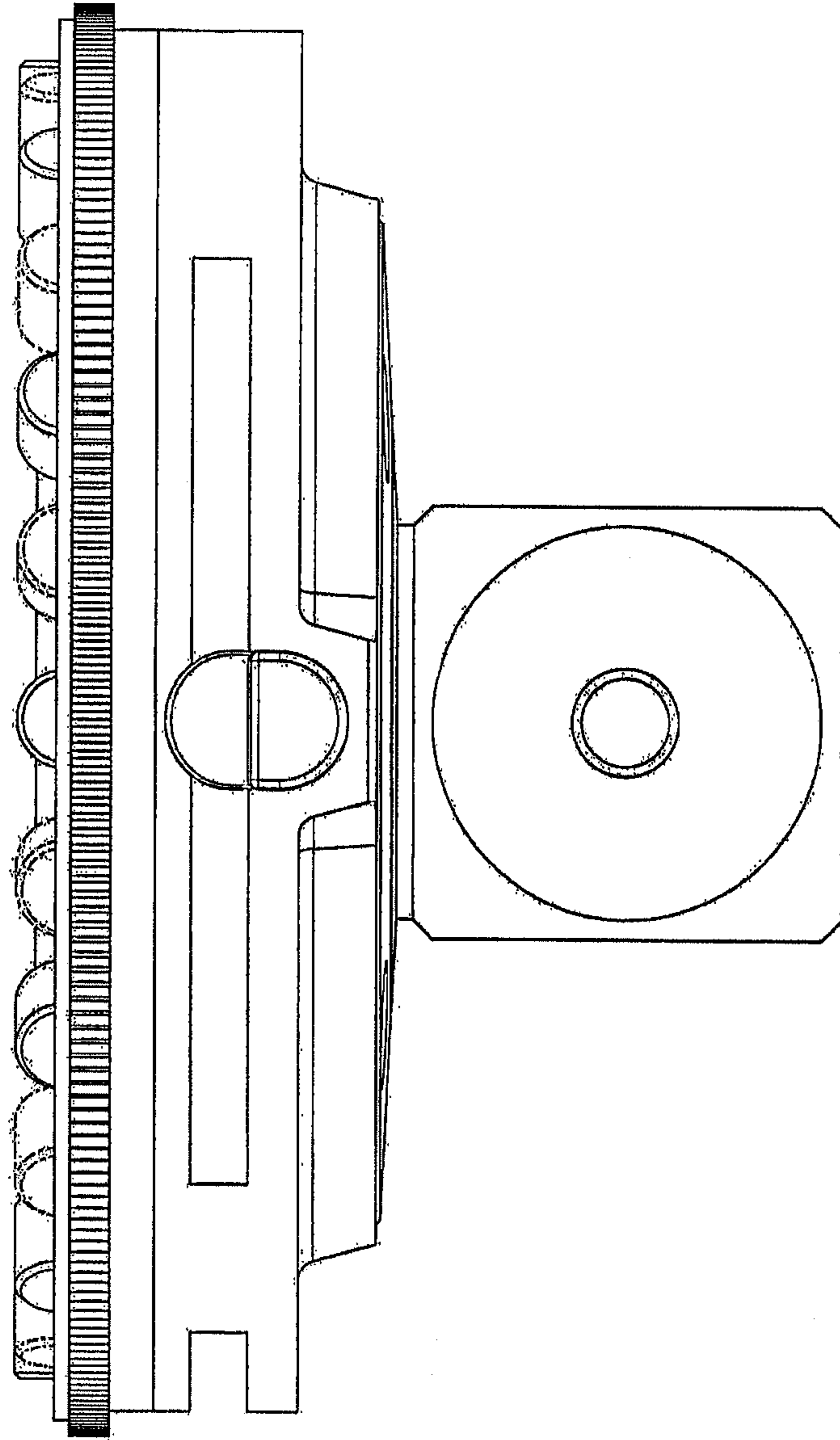


FIG. 7