



US00D686926S

(12) **United States Design Patent**  
**Moe**

(10) **Patent No.:** **US D686,926 S**

(45) **Date of Patent:** **\*\* Jul. 30, 2013**

(54) **STUD LEVEL**

*Primary Examiner* — Antoine D Davis

(75) Inventor: **Richard James Moe**, Waterloo (CA)

(57) **CLAIM**

(73) Assignee: **Richard James Moe**, Waterloo, Ontario (CA)

I claim the ornamental design for the stud level, as shown and described.

(\*\*) Term: **14 Years**

**DESCRIPTION**

(21) Appl. No.: **29/416,254**

(22) Filed: **Mar. 20, 2012**

(51) **LOC (9) Cl.** ..... **10-04**

(52) **U.S. Cl.**  
USPC ..... **D10/62; D10/64; D10/69; D10/71**

(58) **Field of Classification Search**  
USPC ..... D10/62, 64, 69, 71; 33/501, 459,  
33/645, 563, 578, 520, 194, 451, 367, 354,  
33/474, 476, 501.09, 669  
See application file for complete search history.

FIG. 1 is perspective view of a first variant of a stud level;  
FIG. 2 is a front view of the first variant;  
FIG. 3 is a rear view of the first variant;  
FIG. 4 is a top view of the first variant;  
FIG. 5 is a bottom view of the first variant;  
FIG. 6 is a right hand side view of the first variant;  
FIG. 7 is a left hand side view of the first variant;  
FIG. 8 is a perspective view of a second variant of a stud level;  
FIG. 9 is a front view of the second variant;  
FIG. 10 is a rear view of the second variant;  
FIG. 11 is a top view of the second variant;  
FIG. 12 is a bottom view of the second variant;  
FIG. 13 is a right hand side view of the second variant;  
FIG. 14 is a left hand side view of the second variant;  
FIG. 15 is a perspective view of a third variant of a stud level;  
and,  
FIG. 16 is a front view of the third variant;  
FIG. 17 is a rear view of the third variant;  
FIG. 18 is a top view of the third variant;  
FIG. 19 is a bottom view of the third variant;  
FIG. 20 is a right hand side view of the third variant;  
FIG. 21 is a left hand side view of the third variant;  
FIG. 22 is a perspective view of a fourth variant of a stud level;  
and,  
FIG. 23 is a rear view of the fourth variant.

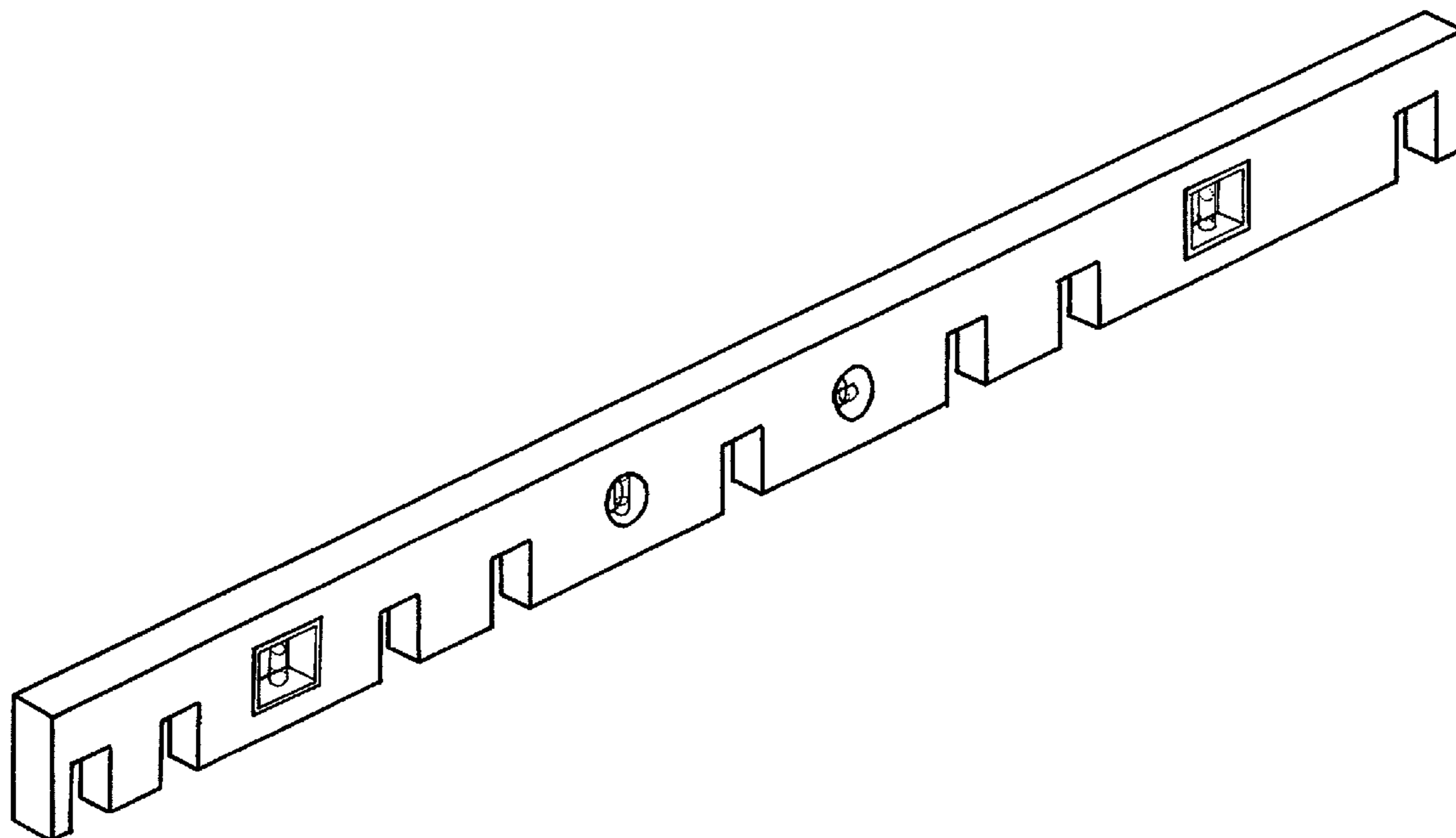
(56) **References Cited**

**U.S. PATENT DOCUMENTS**

1,665,400	A	4/1928	Bittner	
2,659,980	A	11/1953	Dunn	
3,169,320	A	2/1965	Currie	
3,201,874	A	8/1965	Christy	
3,628,253	A	12/1971	Shepard	
3,834,033	A	9/1974	Pinkard	
D253,462	S	11/1979	Packard	
4,212,108	A	7/1980	Jackson	
D265,177	S *	6/1982	Skinner	D10/64
D314,520	S	2/1991	Hass	
6,895,683	B1 *	5/2005	Olsen	33/474
D593,886	S *	6/2009	Mirer et al.	D10/71

\* cited by examiner

**1 Claim, 20 Drawing Sheets**



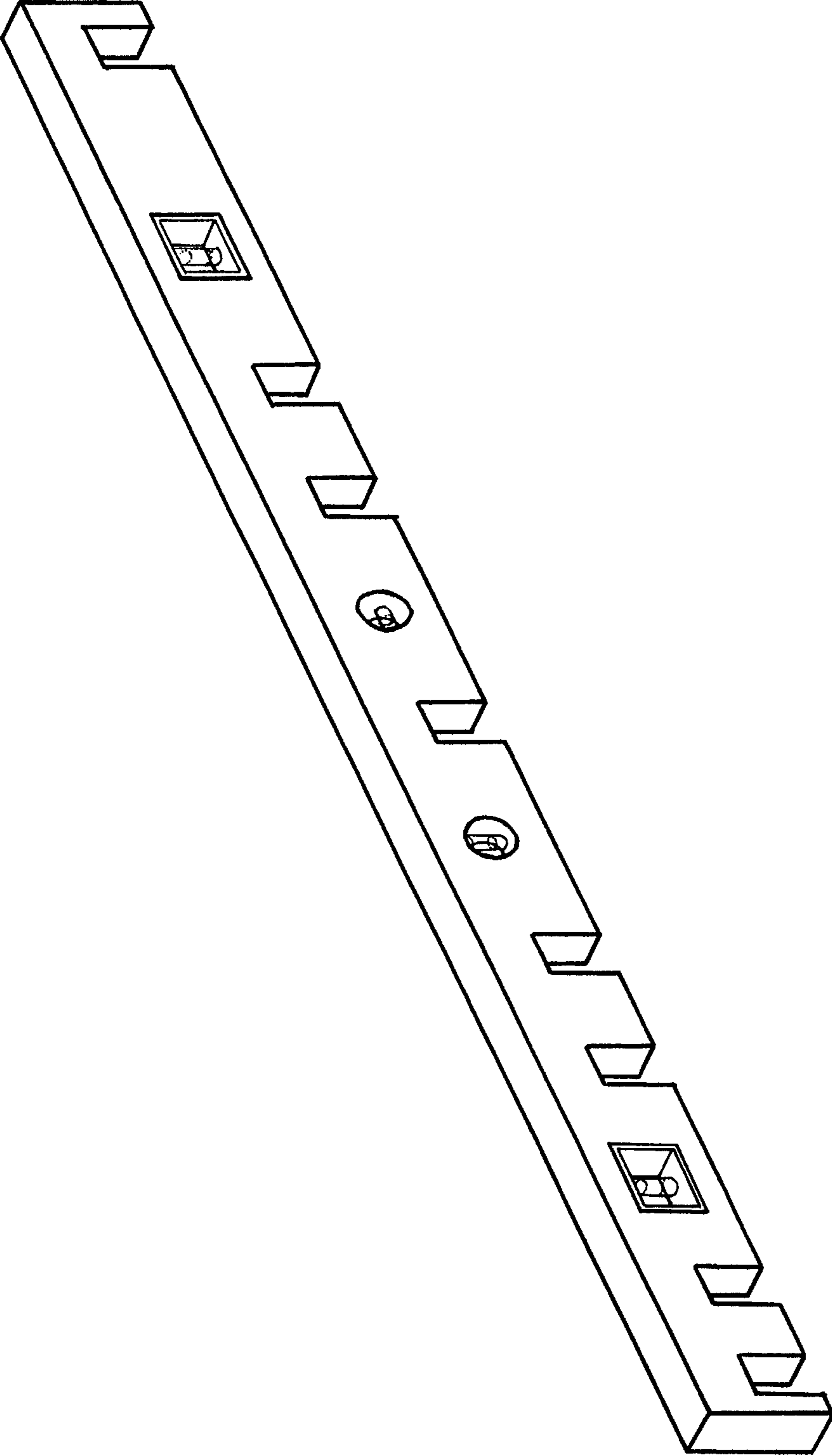


FIG. 1

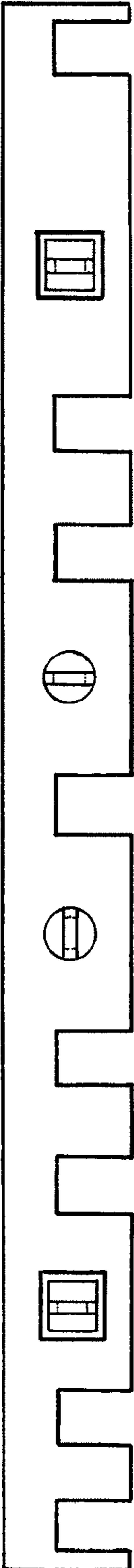


FIG. 2

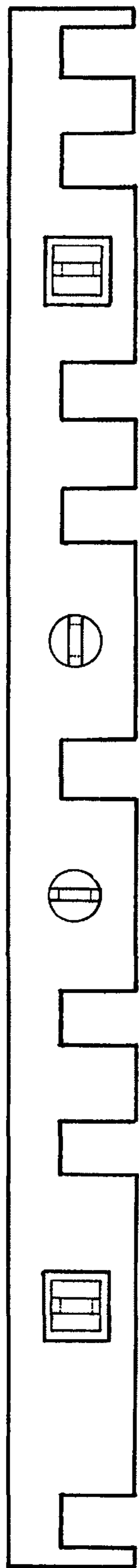


FIG. 3



**FIG. 4**



FIG. 5



**FIG. 6**



**FIG. 7**

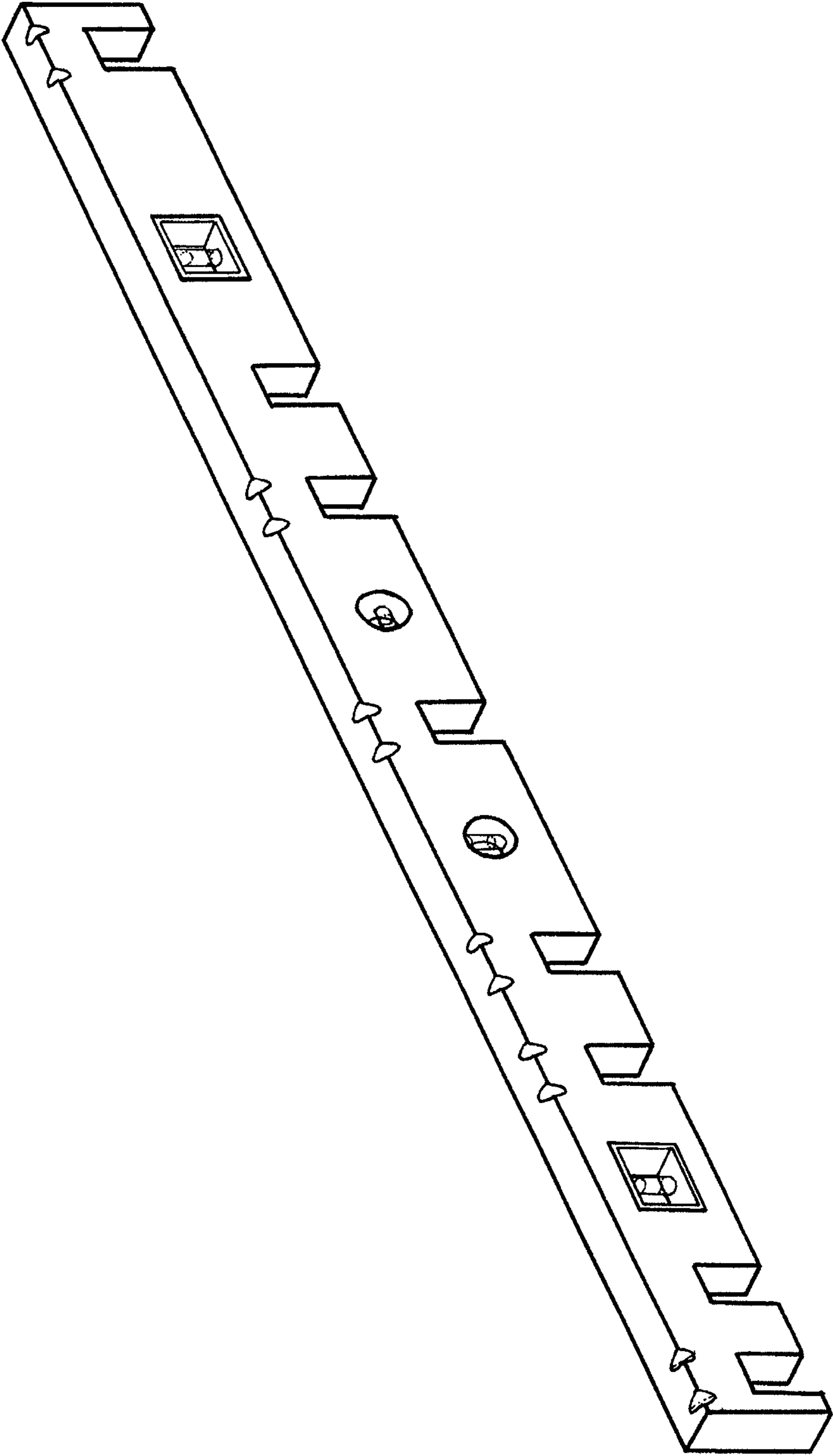


FIG. 8



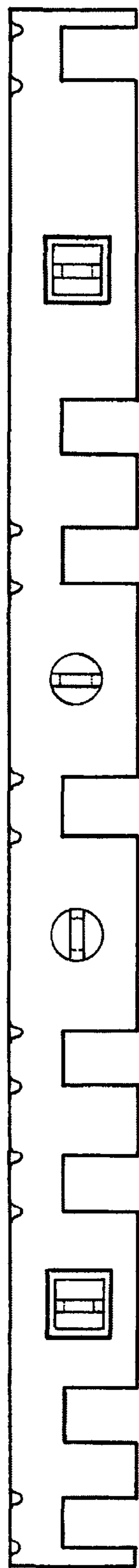


FIG. 9

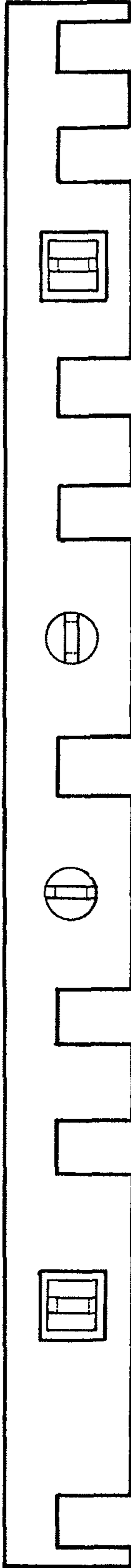


FIG. 10



FIG. 11

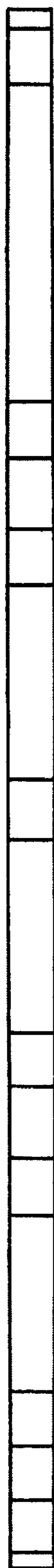
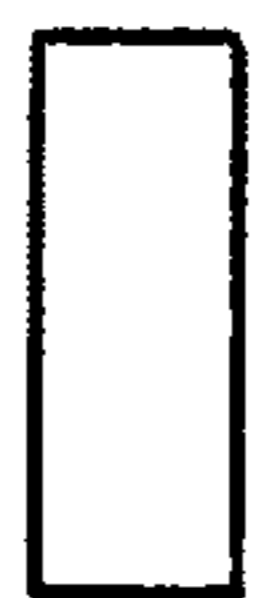


FIG. 12



**FIG. 13**



**FIG. 14**

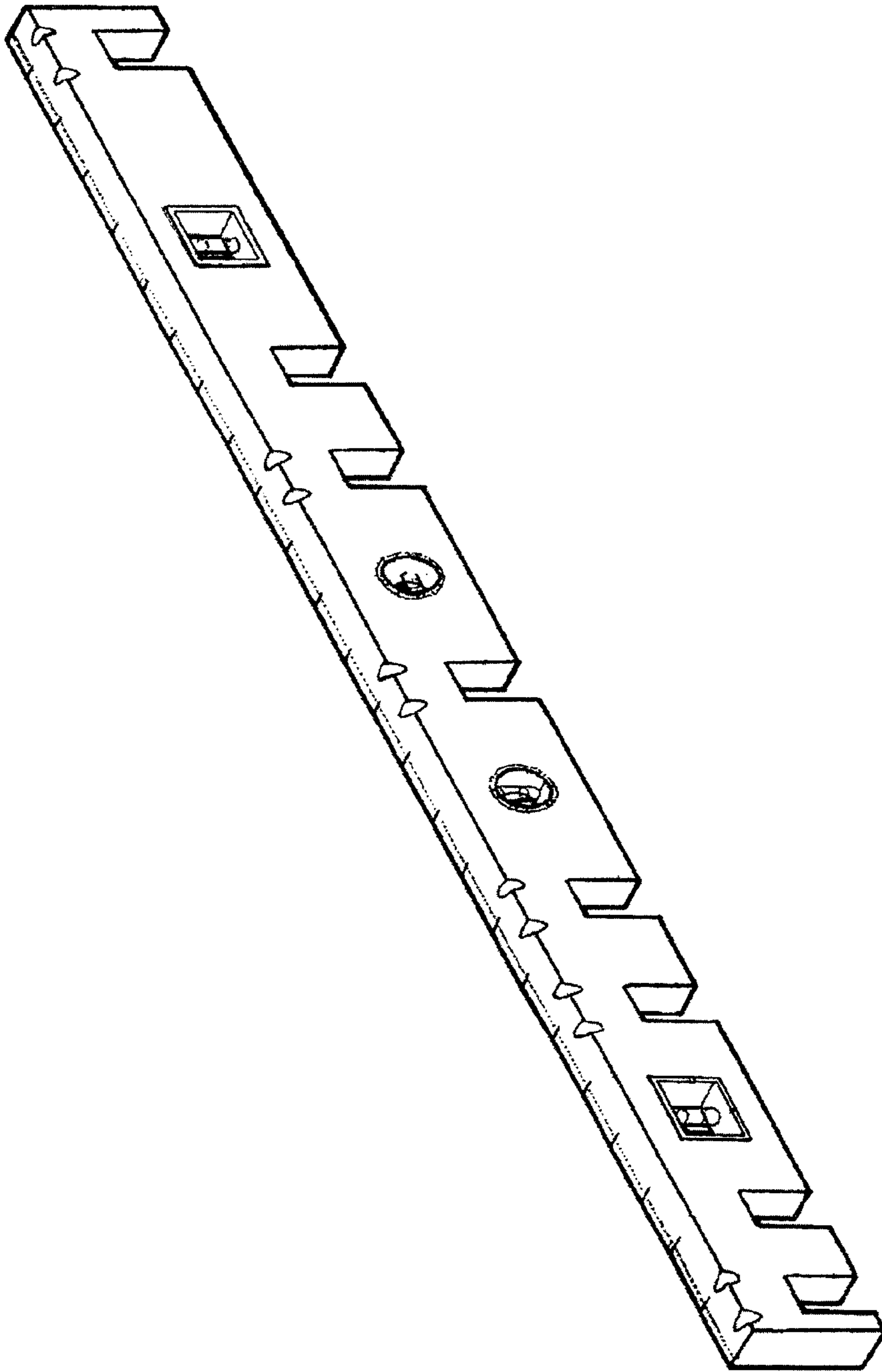


FIG. 15

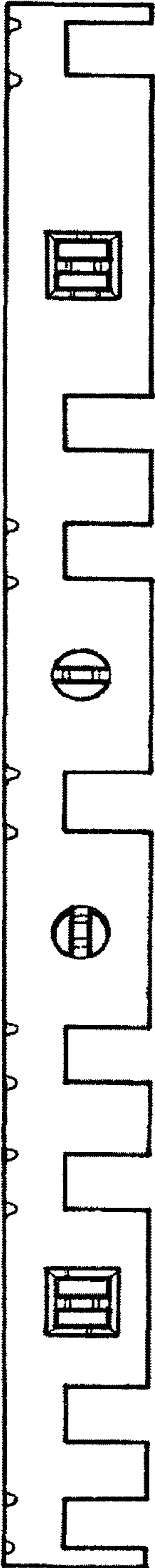


FIG. 16

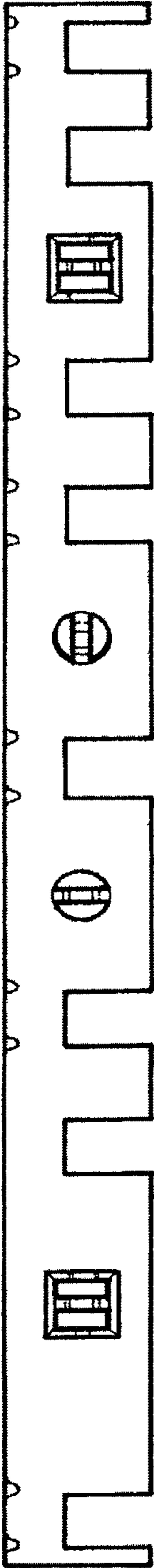


FIG. 17



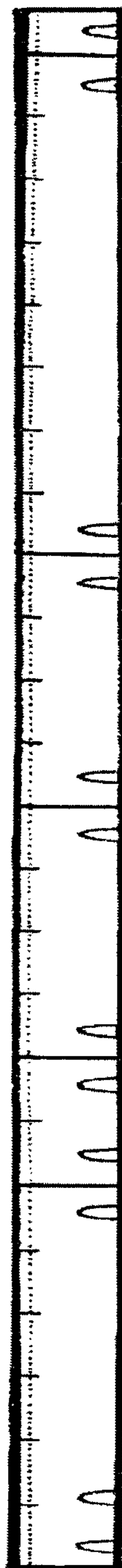


FIG. 18



FIG. 19



**FIG. 20**



**FIG. 21**

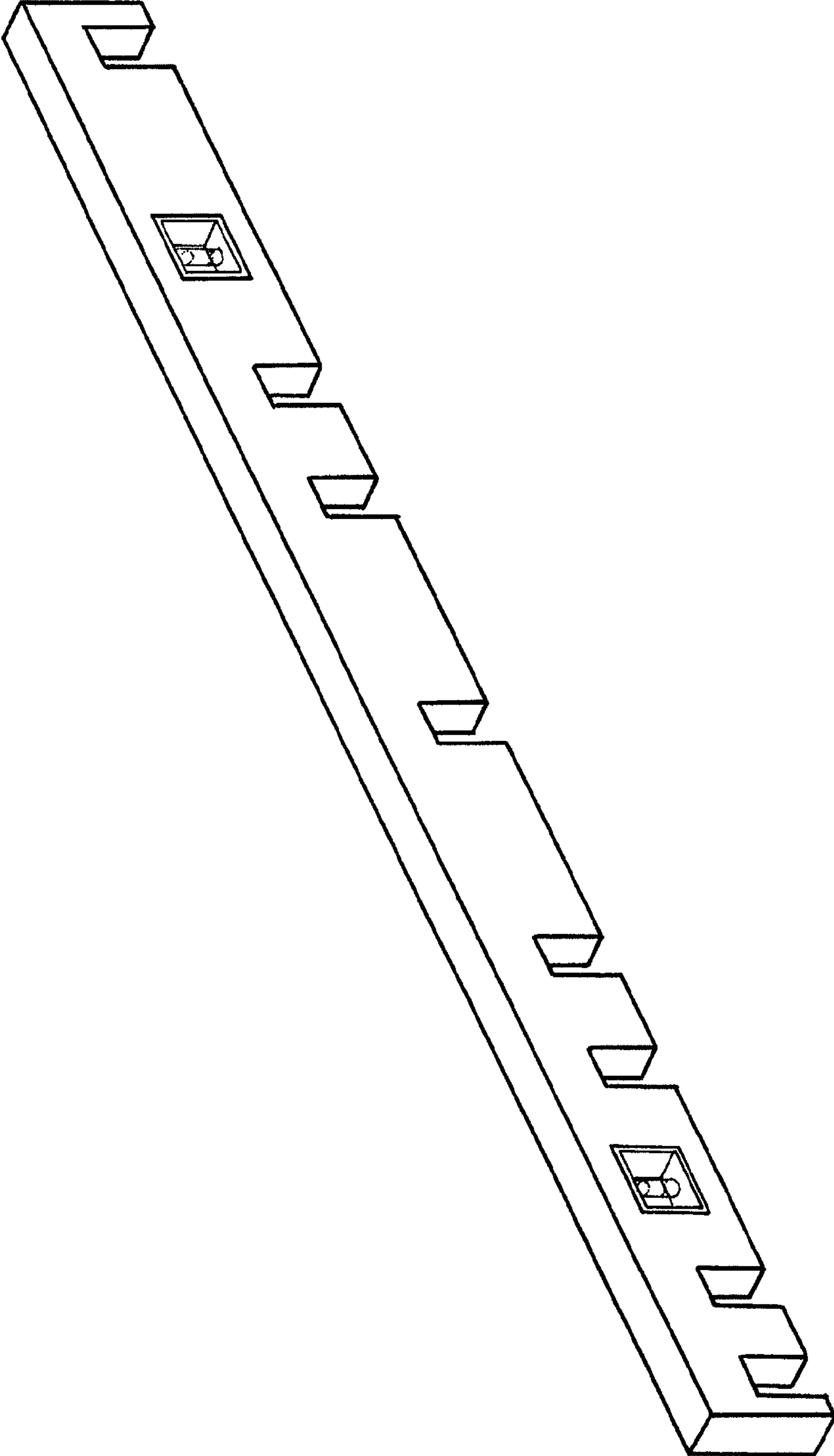


FIG. 22

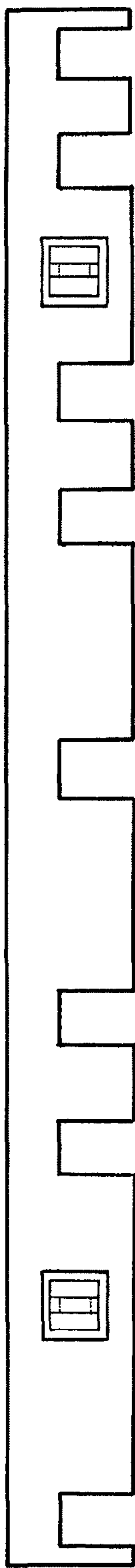


FIG. 23