



US00D686924S

(12) **United States Design Patent**
McQuillen et al.

(10) **Patent No.:** **US D686,924 S**
(45) **Date of Patent:** **** Jul. 30, 2013**

(54) **METAL DETECTOR BODY**

(75) Inventors: **Skye McQuillen**, Echunga (AU);
Brendan Smith, Athelstone (AU);
Richard Escane, Hallet Cove (AU);
Liam Gall, Payneham (AU); **Evan Pryce**, Kensington (AU); **Cosmo Luppino**, Rostrevor (AU)

(73) Assignee: **Minelab Electronics Pty Limited**,
Torrensville (AU)

(**) Term: **14 Years**

(21) Appl. No.: **29/423,718**

(22) Filed: **Jun. 4, 2012**

(30) **Foreign Application Priority Data**

Apr. 5, 2012 (AU) 11737/2012

(51) **LOC (9) Cl.** **10-04**

(52) **U.S. Cl.**
USPC **D10/47**

(58) **Field of Classification Search**
USPC D10/47; 324/67, 202, 326-329, 233,
324/207.2, 226, 345, 242, 243, 244, 253,
324/225, 228, 252, 248, 301; 340/368, 933;
702/38; 172/371, 438

See application file for complete search history.

(56) **References Cited**

U.S. PATENT DOCUMENTS

4,540,943	A *	9/1985	Akers	324/326
D451,413	S *	12/2001	May et al.	D10/47
D490,002	S *	5/2004	Sanchez	D10/47
D624,445	S *	9/2010	Heckhausen	D10/47
D652,330	S *	1/2012	Arnold et al.	D10/47
8,174,429	B2 *	5/2012	Steinway et al.	342/22

* cited by examiner

Primary Examiner — Antoine D Davis

(74) *Attorney, Agent, or Firm* — Beyer Law Group LLP

(57) **CLAIM**

We claim the ornamental design of a metal detector body, as shown and described in the accompanying drawings.

DESCRIPTION

FIG. 1 is a perspective view of the metal detector body, showing the new, original and ornamental design;

FIG. 2 is a top perspective view thereof;

FIG. 3 is a top view thereof;

FIG. 4 is a side view thereof;

FIG. 5 is a side view thereof;

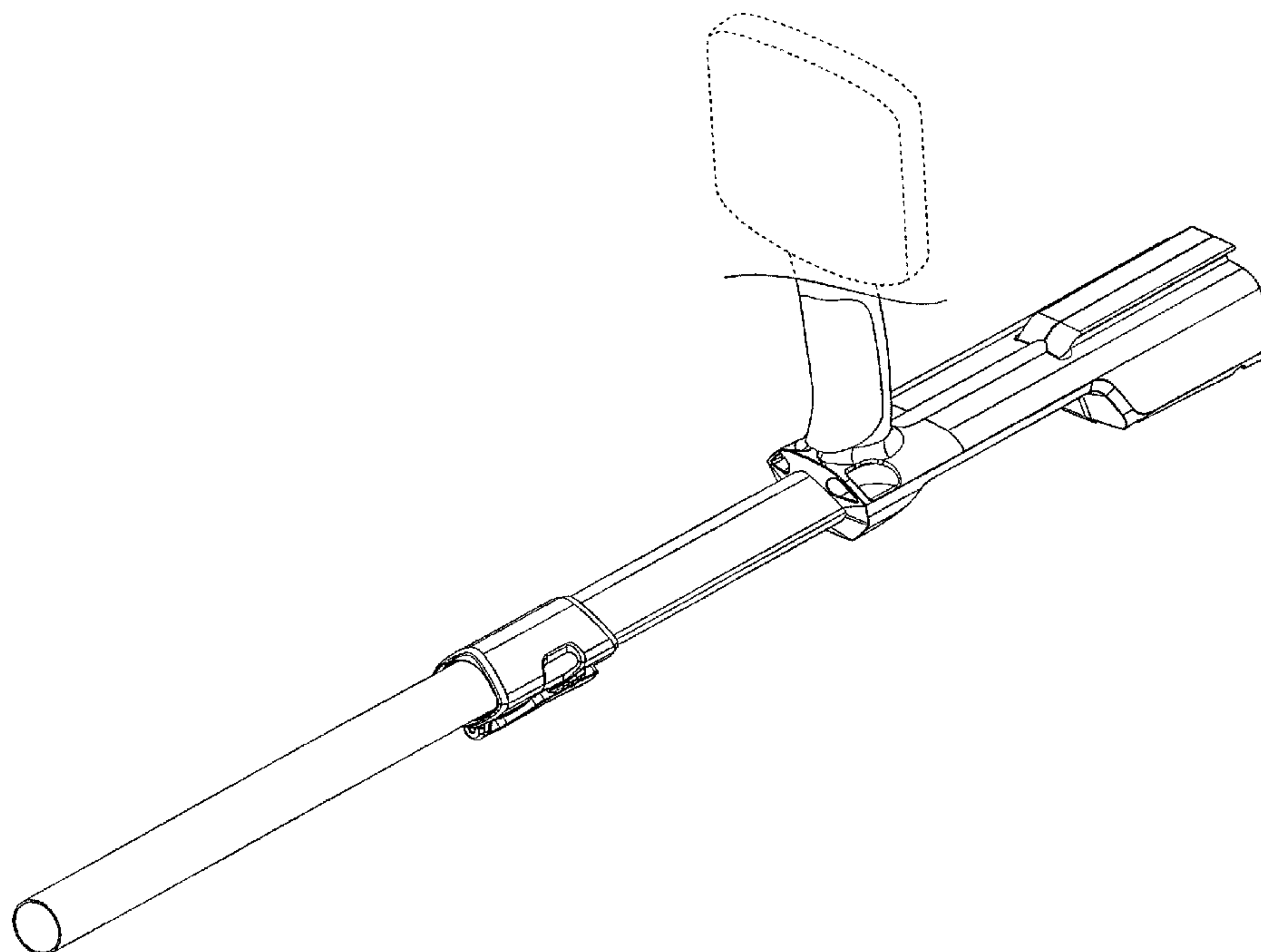
FIG. 6 is a bottom view thereof;

FIG. 7 is a front view thereof; and,

FIG. 8 is a back view thereof.

The broken line showing of non-claimed subject matter is included for the purpose of illustrating structural features and forms no part of the claimed design.

1 Claim, 5 Drawing Sheets



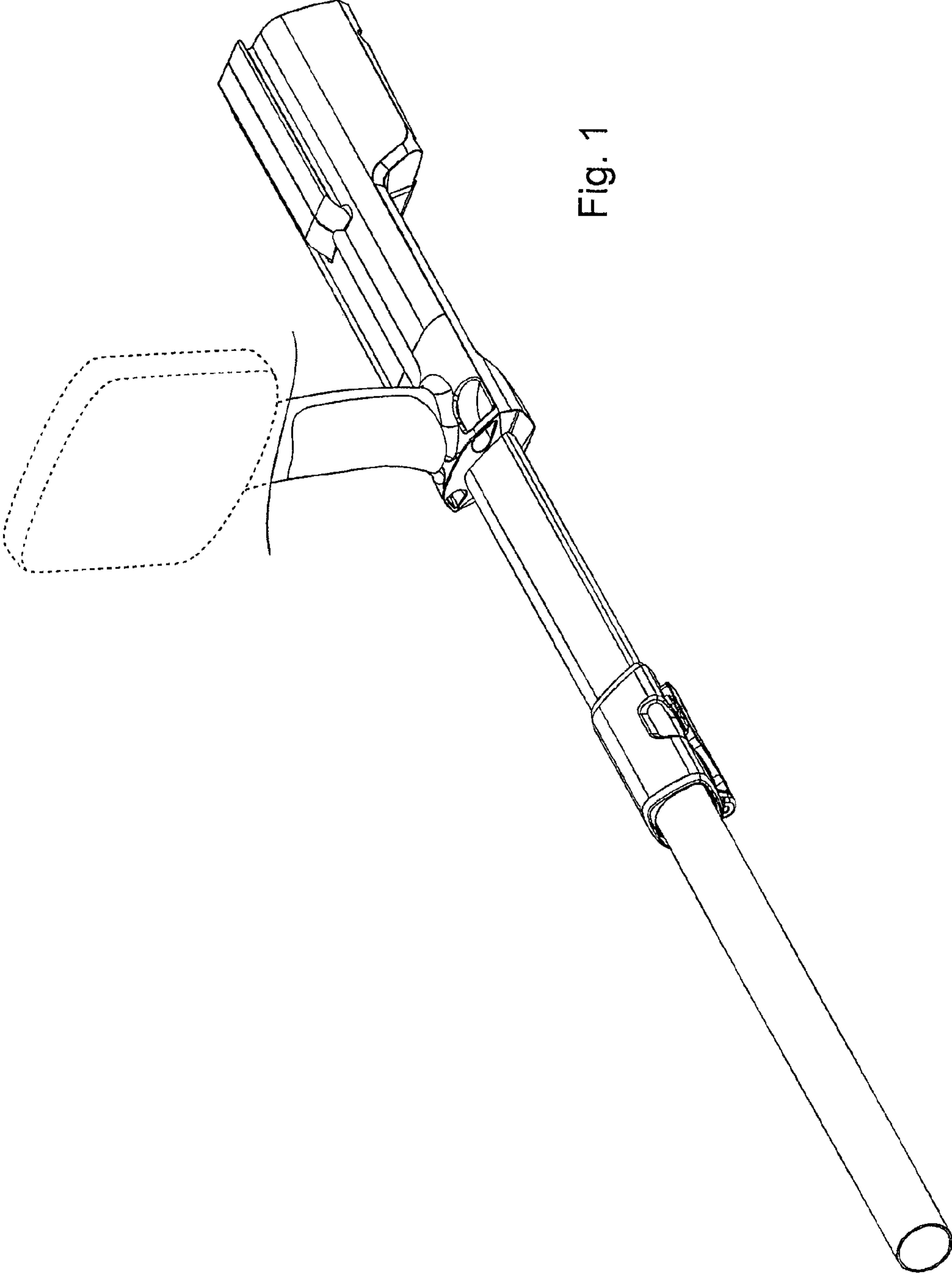


Fig. 1

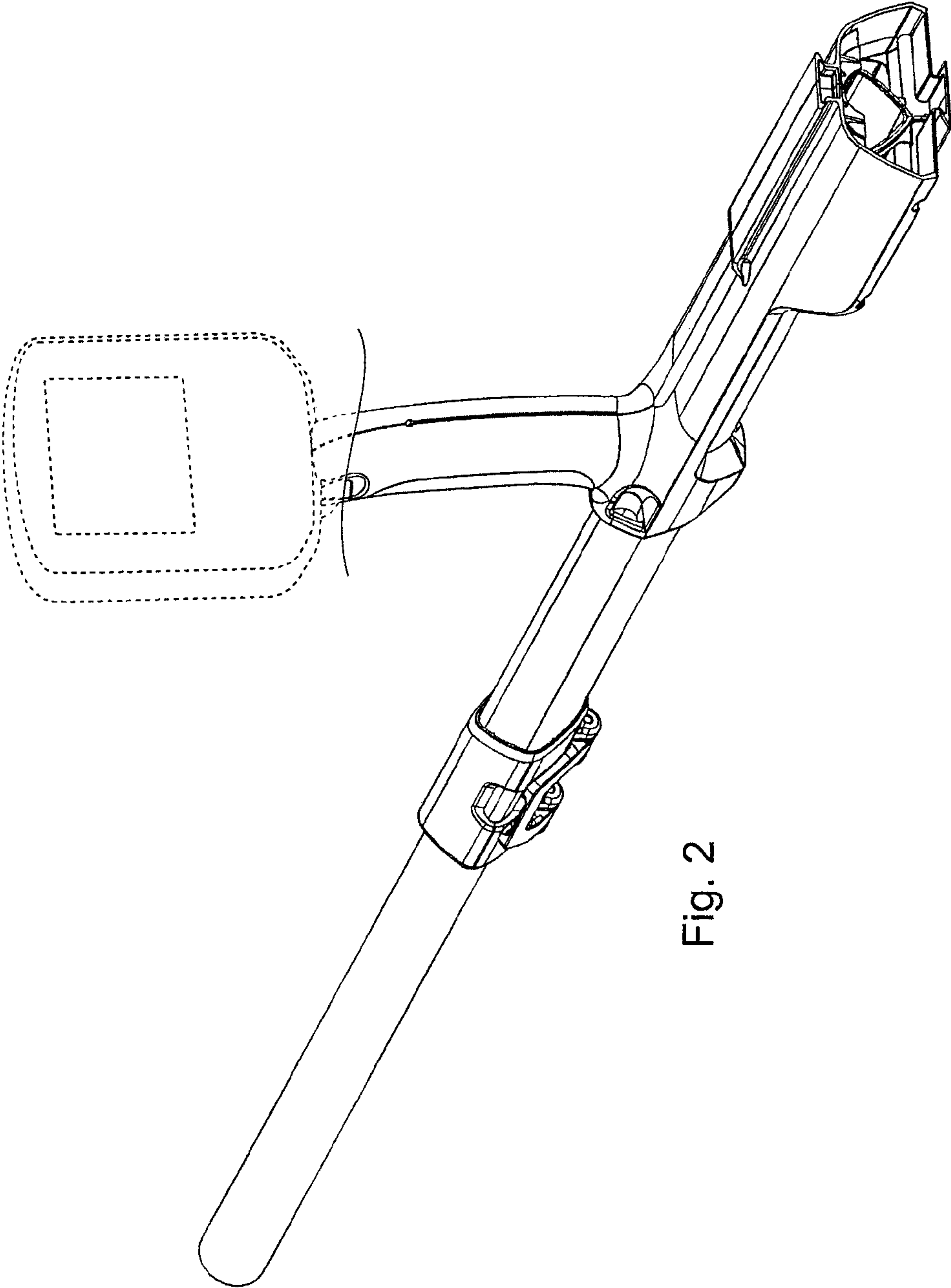


Fig. 2

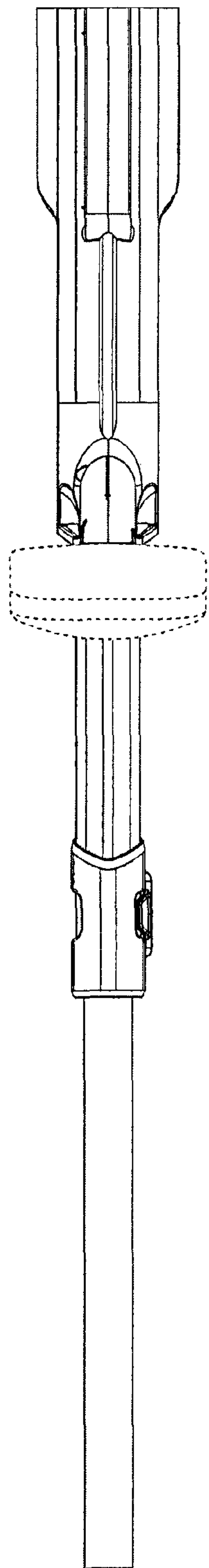


Fig. 3

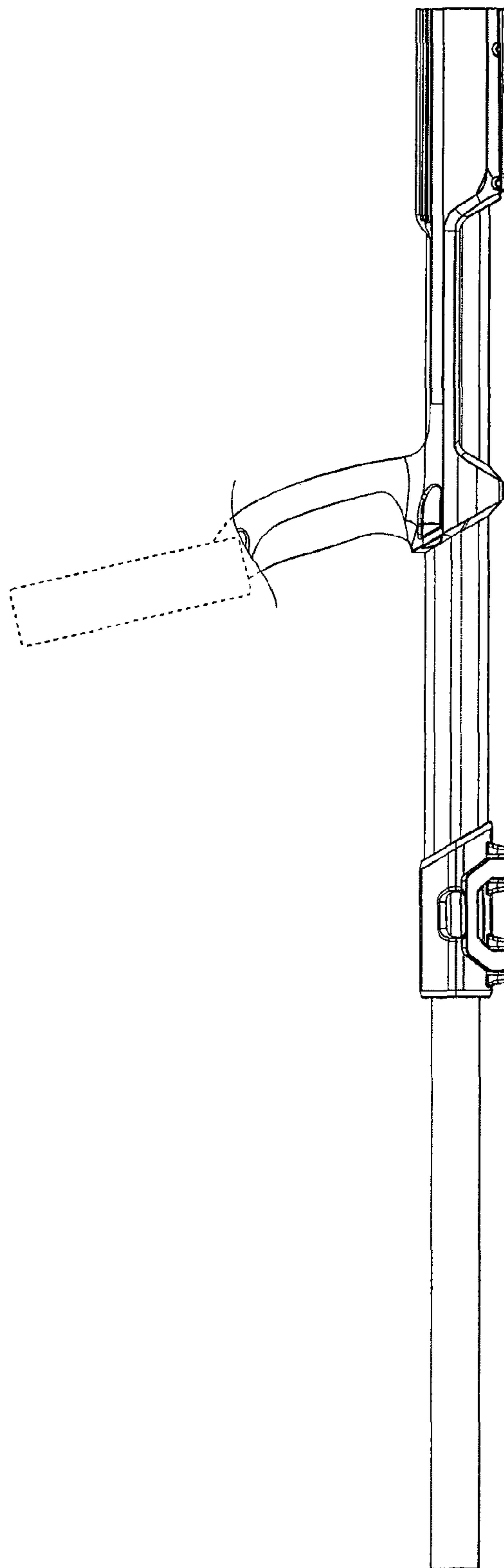


Fig. 4

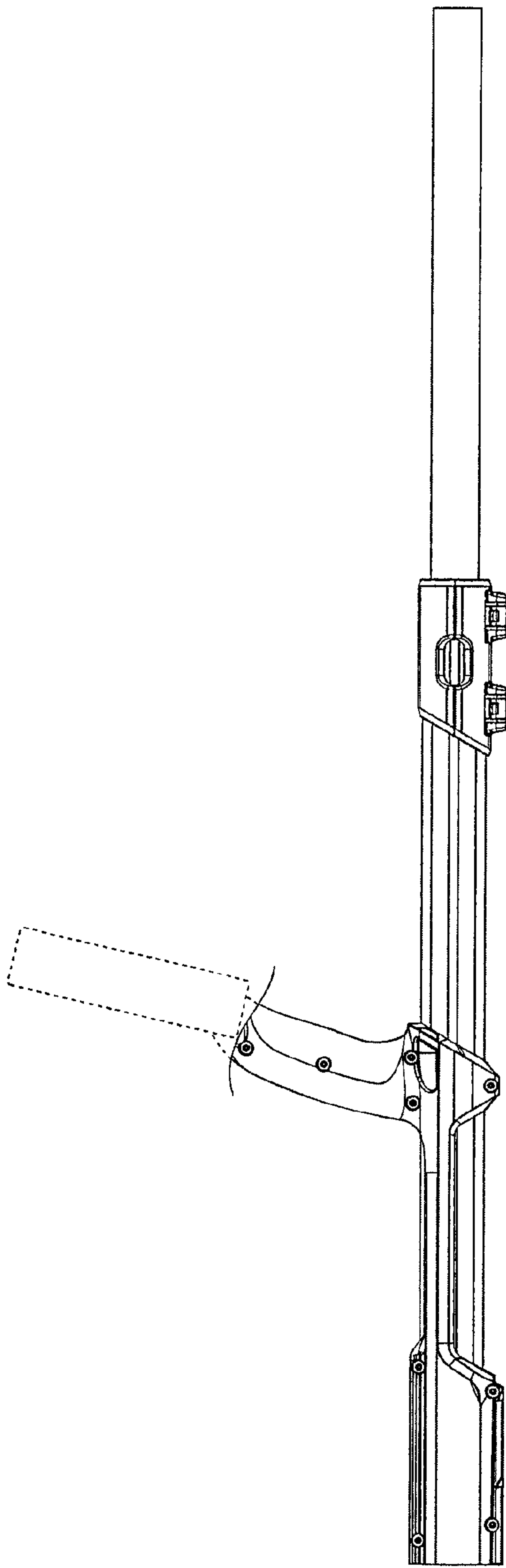


Fig. 5

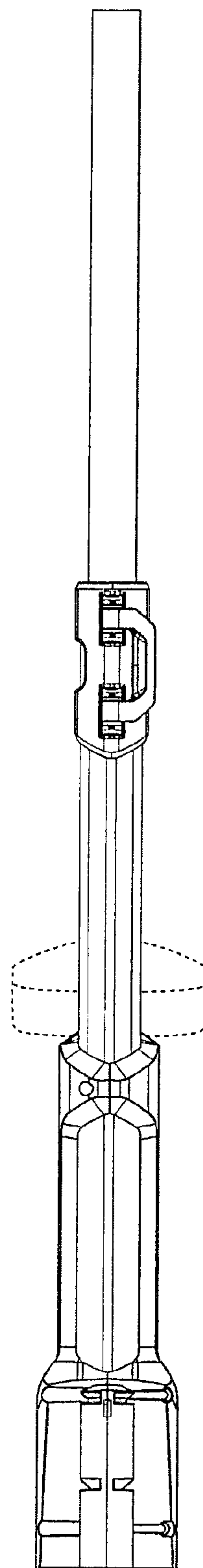


Fig. 6

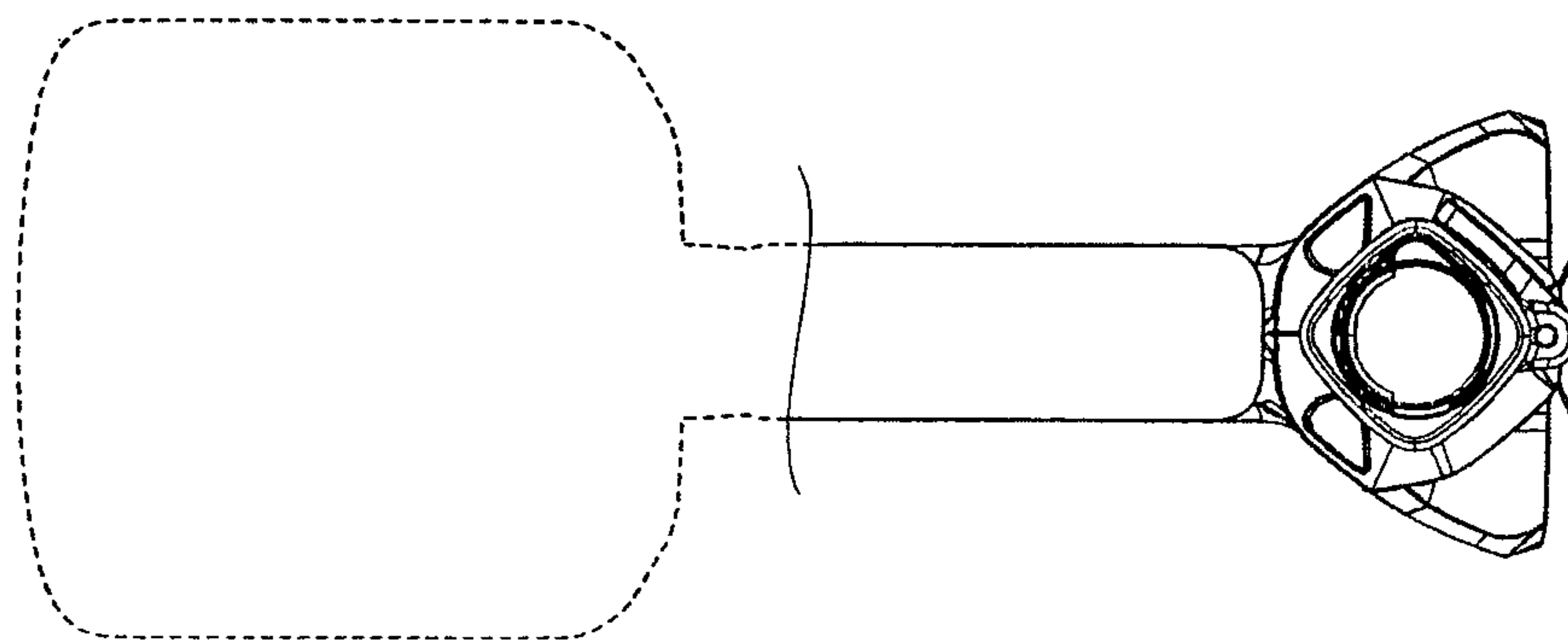


Fig. 8

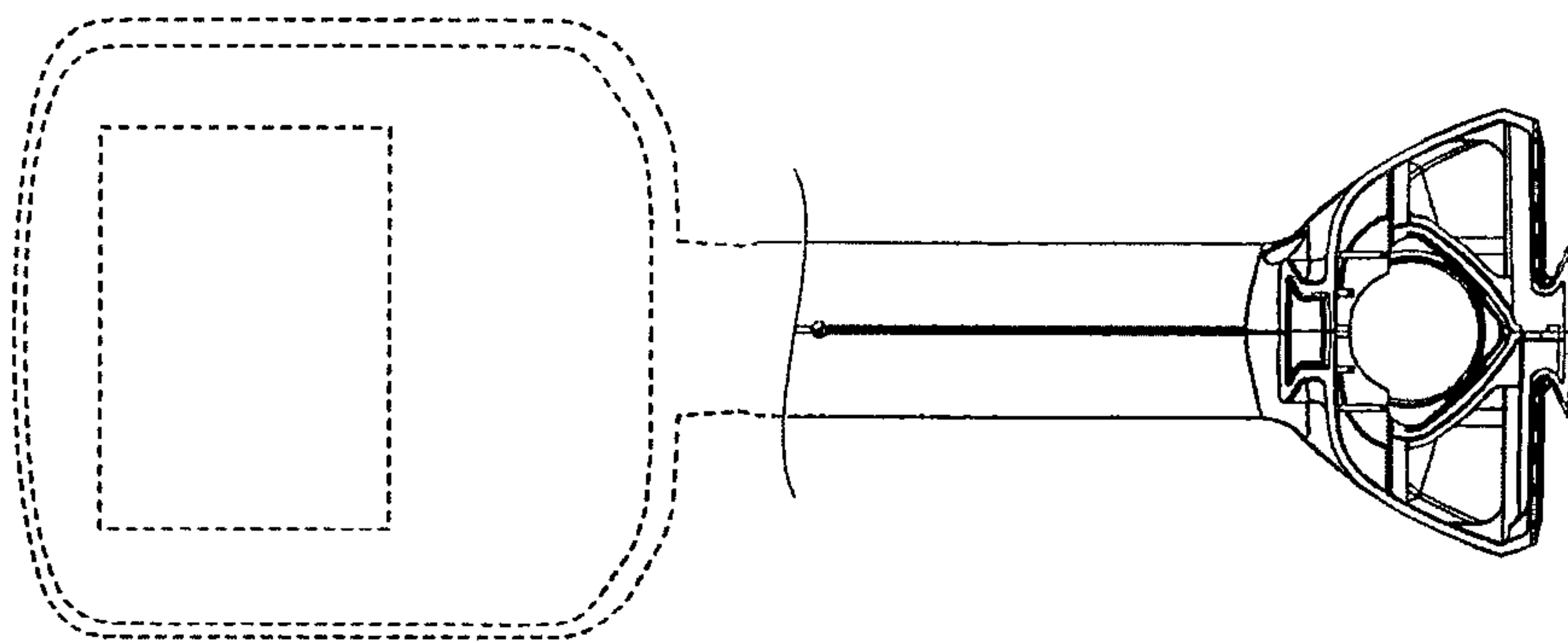


Fig. 7