

US00D686922S

(12) **United States Design Patent**  
**Davis et al.**

(10) **Patent No.:** **US D686,922 S**

(45) **Date of Patent:** **\*\* \*Jul. 30, 2013**

(54) **CONTACT LENS BLISTER PACKAGE**

(75) Inventors: **Robert Davis**, Eastleigh (GB); **Stephen English**, Havant (GB); **Kevin Aldridge**, Southampton (GB); **Hayden Atkinson**, Tadley (GB)

(73) Assignee: **CooperVision International Holding Company, LP**, St. Michael (BB)

(\*) Notice: This patent is subject to a terminal disclaimer.

(\*\*) Term: **14 Years**

(21) Appl. No.: **29/419,044**

(22) Filed: **Apr. 24, 2012**

(51) **LOC (9) Cl.** ..... **09-01**

(52) **U.S. Cl.**  
USPC ..... **D9/732**

(58) **Field of Classification Search**  
USPC ..... D9/416, 418, 419, 424, 427, 428, D9/736-762; 206/5, 5.1, 6, 216, 365, 461-471, 206/484, 485, 486, 493, 524.1, 527, 528, 206/531, 532, 534, 538, 539, 557, 566, 564, 206/565, 775-783; D24/121, 218, 227, 229, D24/224; D7/538, 541, 546, 549, 553.6, D7/553.3, 557, 586, 614; D3/203.2, 203.3, D3/264, 310, 309, 311, 312, 313  
See application file for complete search history.

(56) **References Cited**

**U.S. PATENT DOCUMENTS**

D357,115 S \* 4/1995 Abrams et al. .... D3/264  
D371,678 S \* 7/1996 Borghorst et al. .... D3/264

6,029,808 A \* 2/2000 Peck et al. .... 206/210  
D435,966 S \* 1/2001 Duis et al. .... D3/264  
D462,900 S \* 9/2002 Yamada et al. .... D9/707  
D496,790 S \* 10/2004 Dzwil et al. .... D3/264  
D511,893 S \* 11/2005 Chou et al. .... D3/264  
D556,602 S \* 12/2007 Clements et al. .... D9/732  
D556,603 S \* 12/2007 Barnes et al. .... D9/732  
D559,706 S \* 1/2008 Clements et al. .... D9/732

\* cited by examiner

*Primary Examiner* — Derrick Holland

*Assistant Examiner* — Lauren Calve

(74) *Attorney, Agent, or Firm* — Klein, O'Neill & Singh, LLP

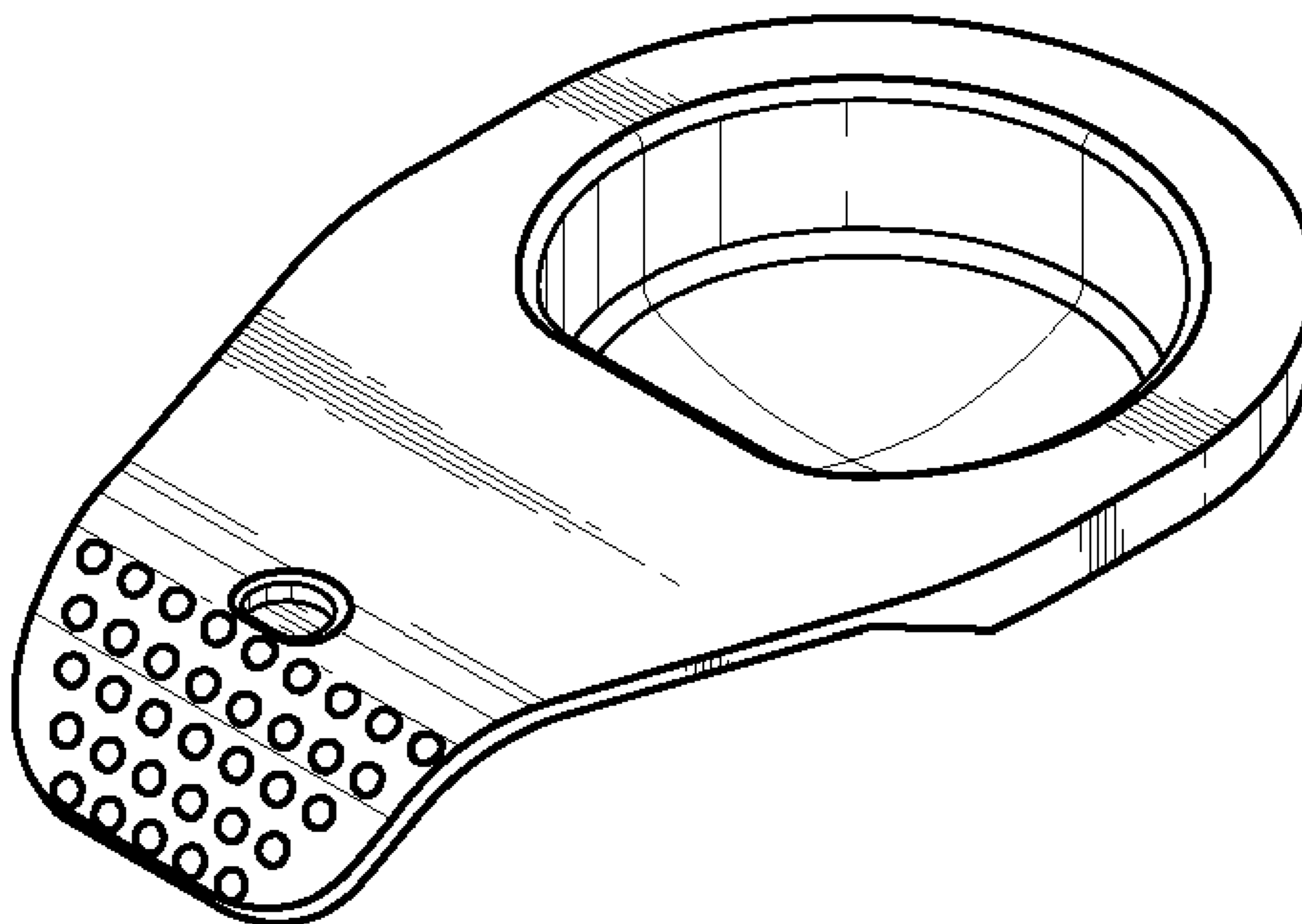
(57) **CLAIM**

The ornamental design for a contact lens blister package, as shown and described.

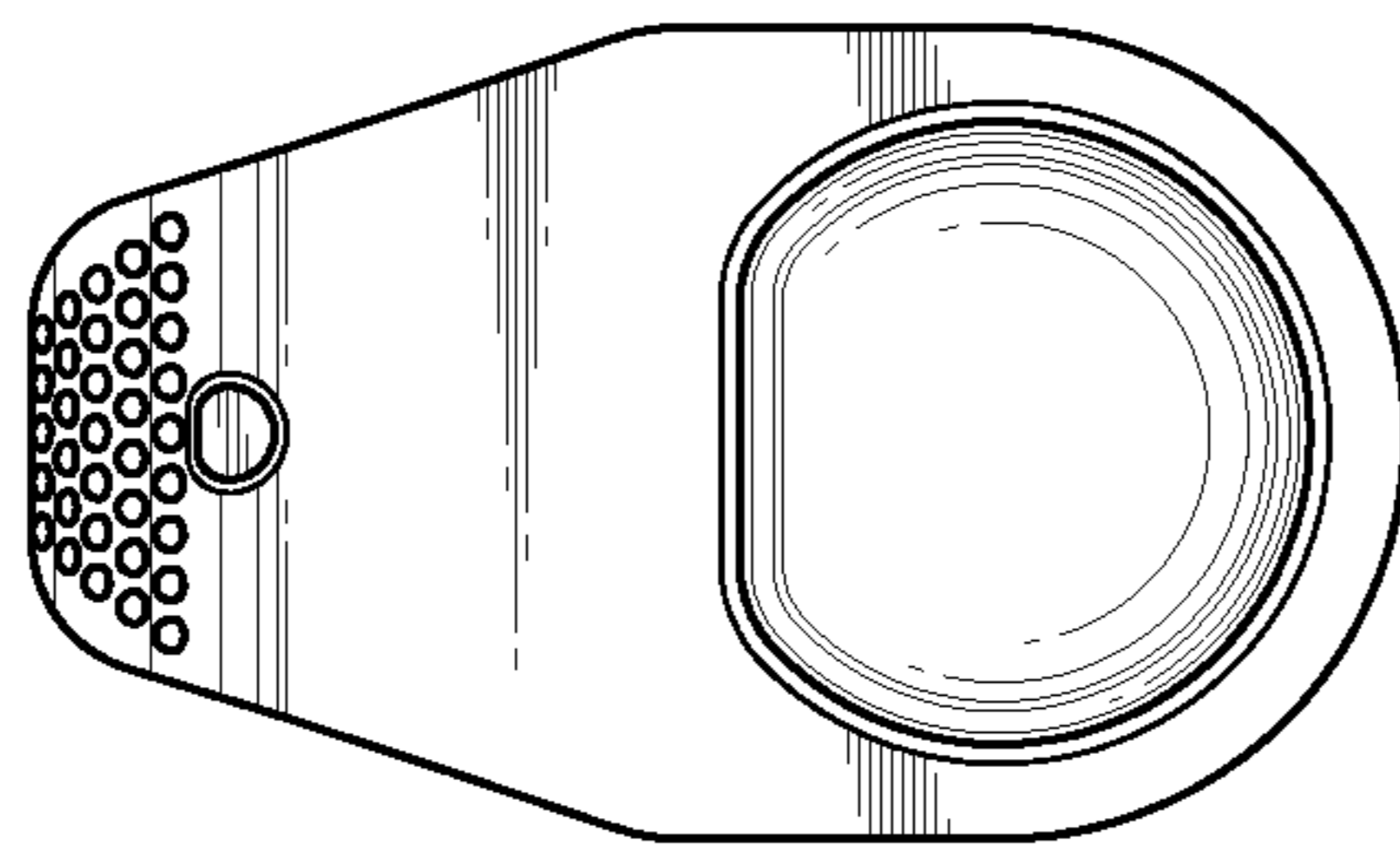
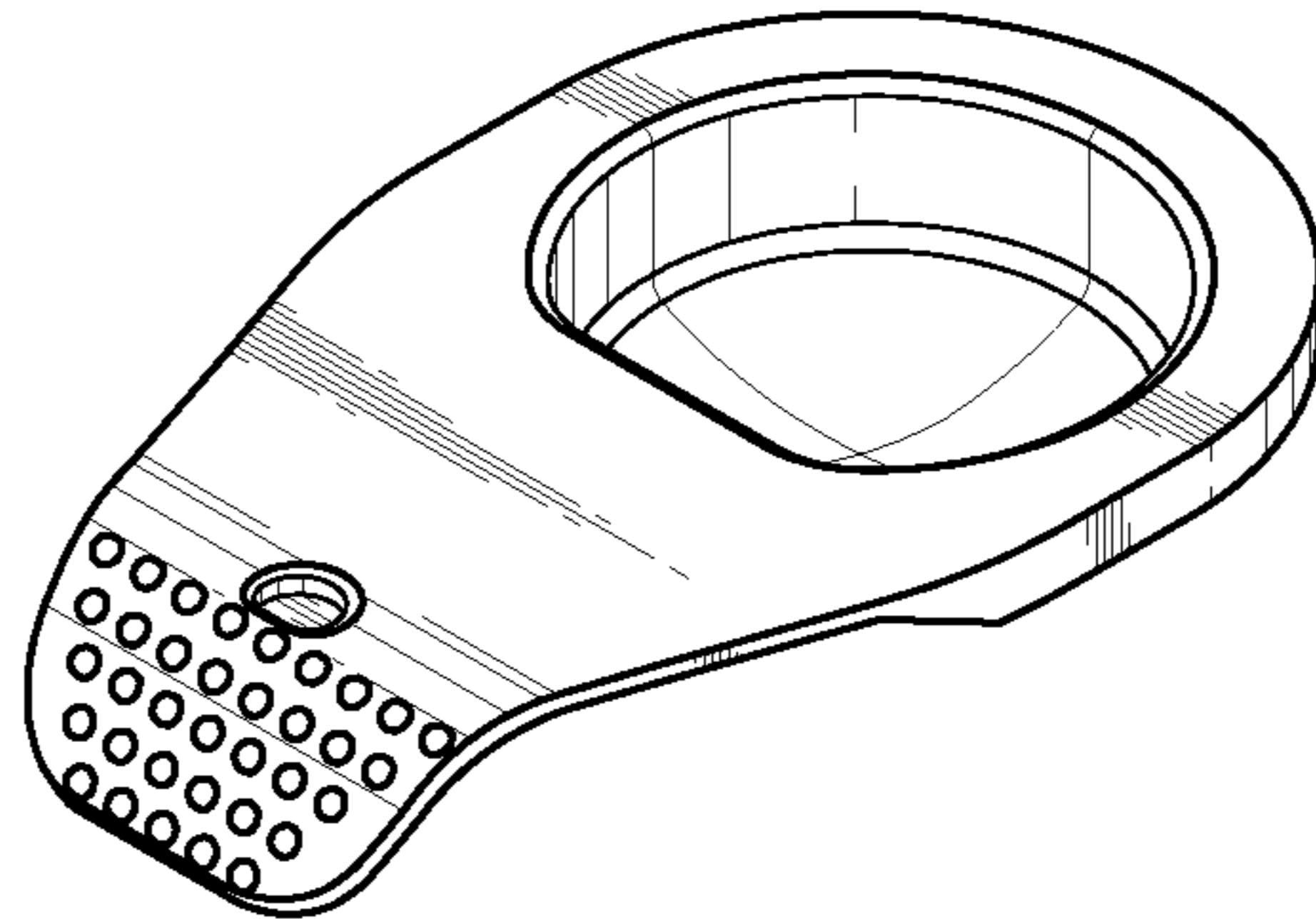
**DESCRIPTION**

FIG. 1 is a perspective view of a contact lens blister package, showing our new design;  
FIG. 2 is a top plan view thereof;  
FIG. 3 is a bottom plan view thereof;  
FIG. 4 is a right side elevation view thereof;  
FIG. 5 is a rear elevation view thereof;  
FIG. 6 is a front elevation view thereof;  
FIG. 7 is a perspective view thereof covered with a sealing layer; and,  
FIG. 8 is a perspective view of four blister packages shown in FIG. 1.  
The broken line showing of a contact lens blister package represents unclaimed subject matter and forms no part of the claimed design.

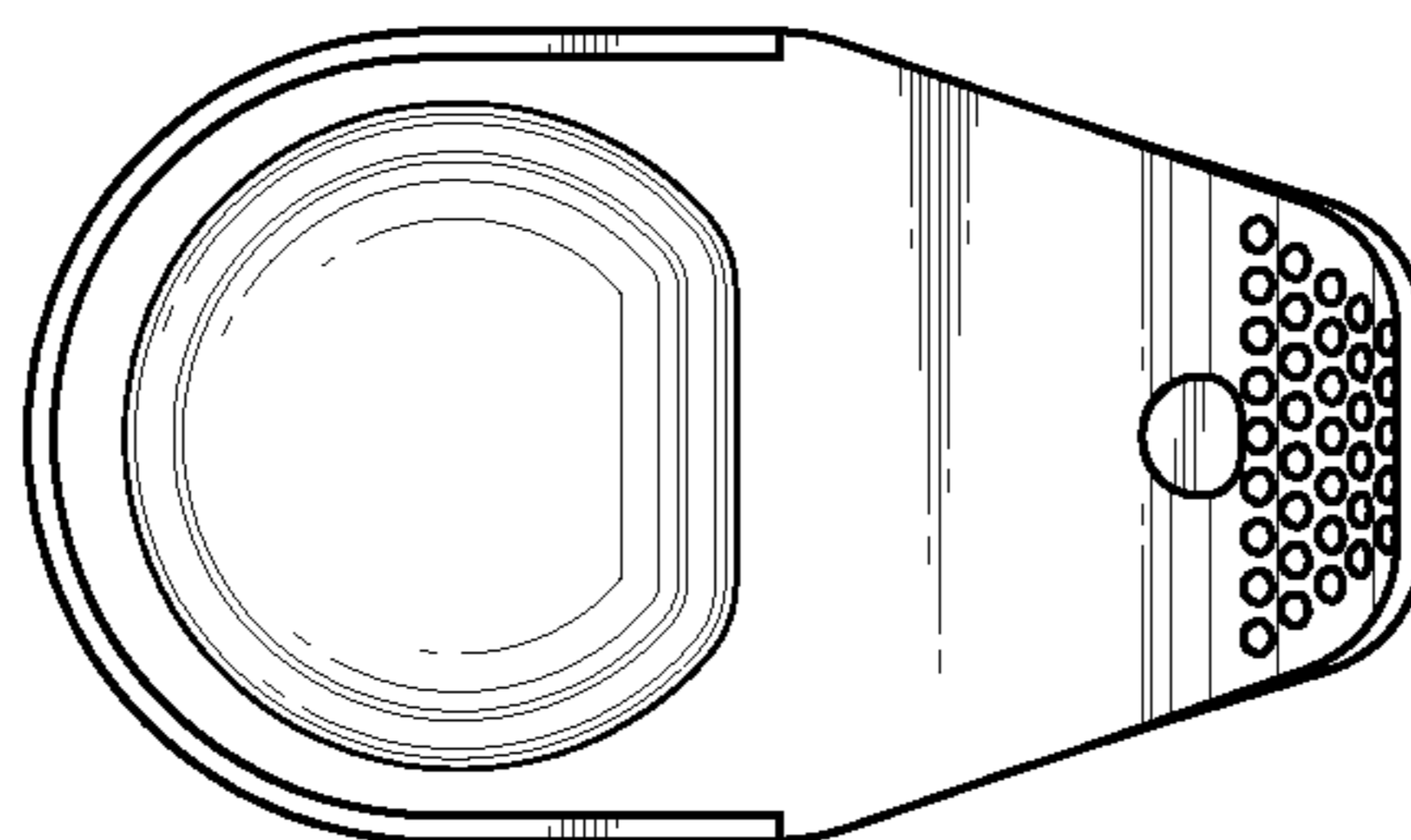
**1 Claim, 2 Drawing Sheets**



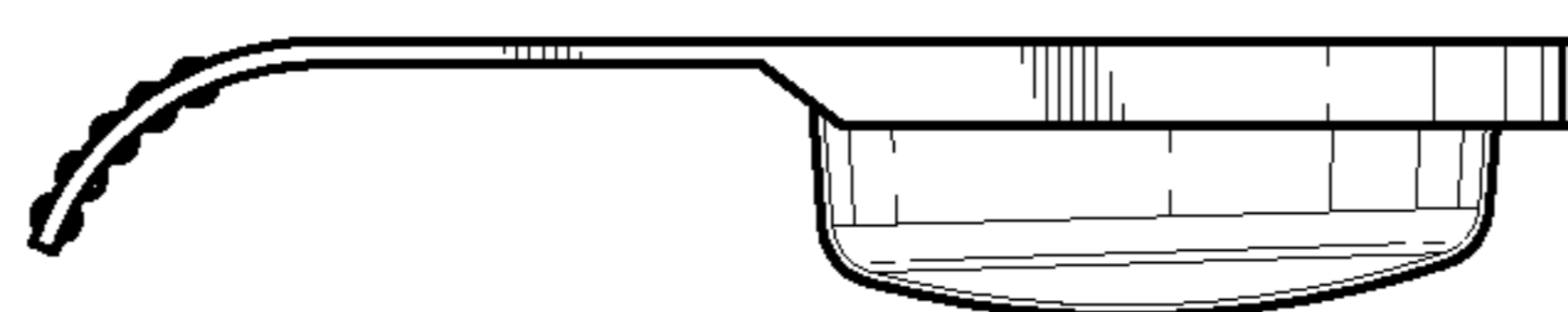
*FIG. 1*



*FIG. 2*



*FIG. 3*



*FIG. 4*

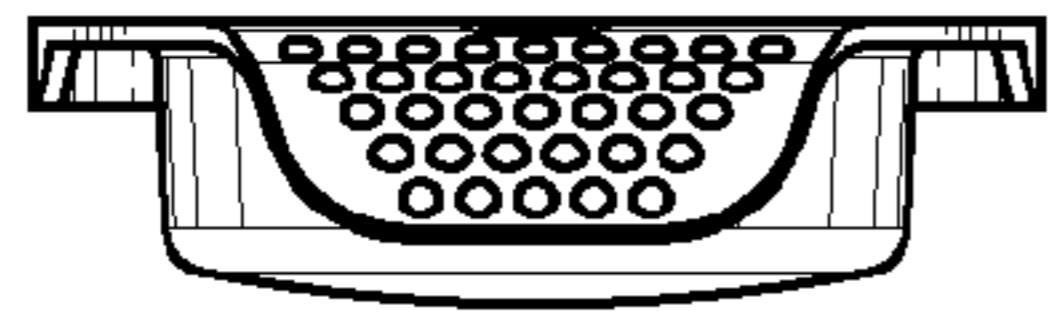


FIG. 5

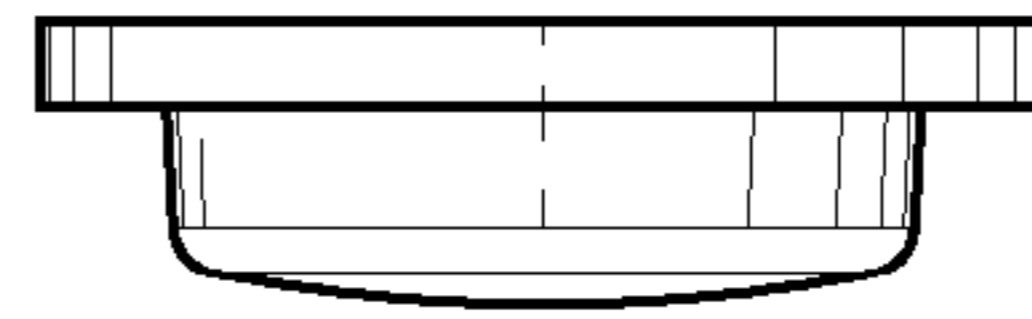


FIG. 6

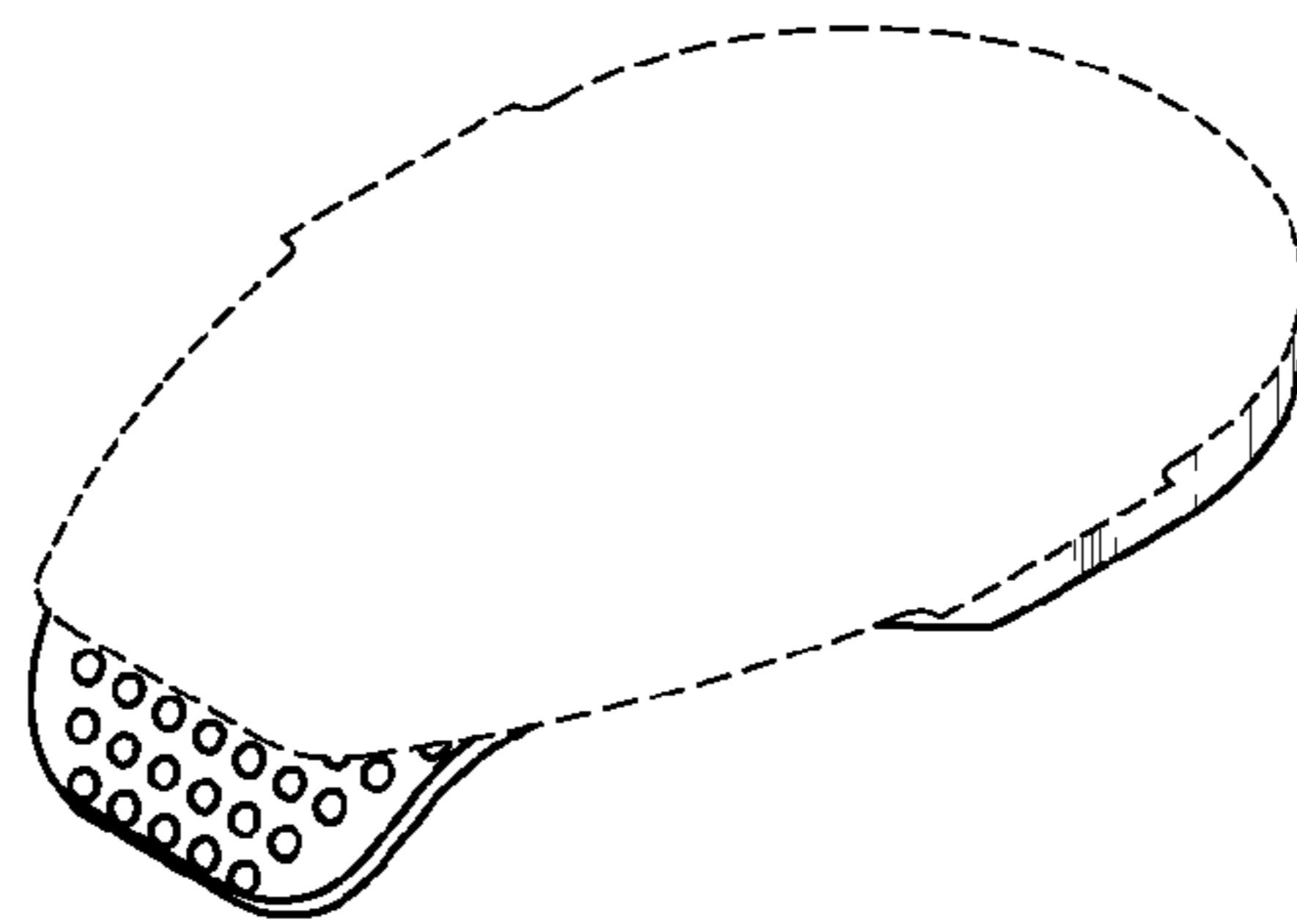


FIG. 7

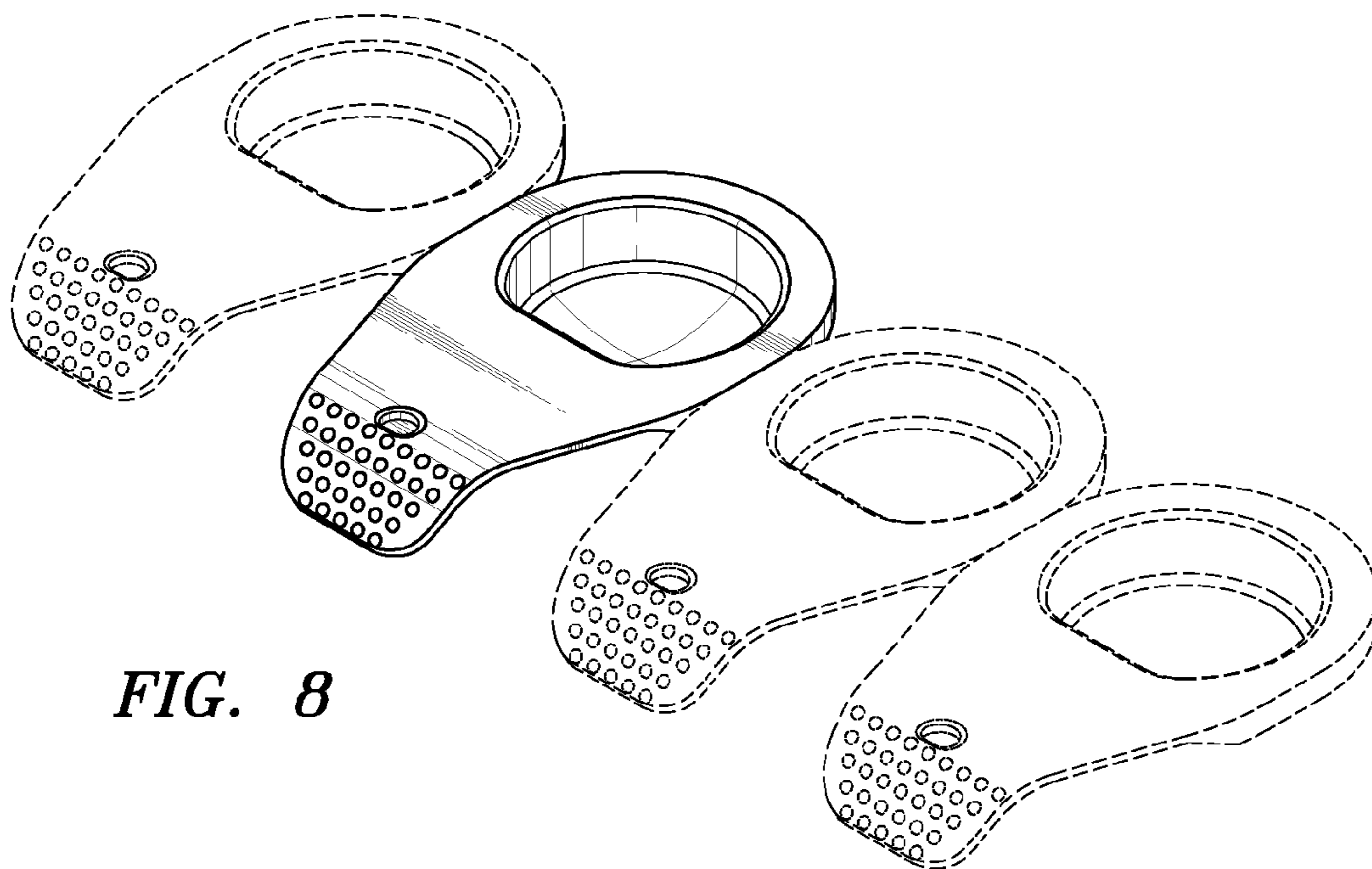


FIG. 8