



US00D686920S

(12) **United States Design Patent**
Cassius et al.

(10) **Patent No.:** **US D686,920 S**
(45) **Date of Patent:** **** Jul. 30, 2013**

(54) **COMBINED FOOD STORAGE AND DISPLAY CONTAINER**

Primary Examiner — Sandra Morris
(74) *Attorney, Agent, or Firm* — Fulbright & Jaworski LLP

(75) Inventors: **Mark Cassius**, Tucson, AZ (US); **Sean Frisby**, Grand Rapids, MI (US); **David Leitch**, Willcox, AZ (US)

(57) **CLAIM**
The ornamental design for the combined food storage and display container, as shown and described.

(73) Assignee: **NatureSweet USA, LLC**, San Antonio, TX (US)

DESCRIPTION

(**) Term: **14 Years**

(21) Appl. No.: **29/419,476**

(22) Filed: **Apr. 27, 2012**

(51) **LOC (9) Cl.** **09-01**

(52) **U.S. Cl.**
USPC **D9/636; D9/425**

(58) **Field of Classification Search**
USPC D9/600, 636–638, 414, 418, 420–433;
206/457, 527, 540; 220/890; 229/153; D11/145;
D7/514–515, 571, 613
See application file for complete search history.

FIG. 1 is a perspective view of the combined food storage and display container according to one embodiment of the present invention;
FIG. 2 is a perspective view of the combined food storage and display container in a disassembled state showing the bottom, top, and label according to one embodiment of the present invention;
FIG. 3 is a top view of the combined food storage and display container according to one embodiment of the present invention;
FIG. 4 is a bottom view of the combined food storage and display container according to one embodiment of the present invention;
FIG. 5 is a side view of the combined food storage and display container according to one embodiment of the present invention;
FIG. 6 is a side view of the combined food storage and display container on the opposite side shown in FIG. 5 according to one embodiment of the present invention;
FIG. 7 is a front view of the combined food storage and display container according to one embodiment of the present invention; and,
FIG. 8 is a back view of the combined food storage and display container according to one embodiment of the present invention.

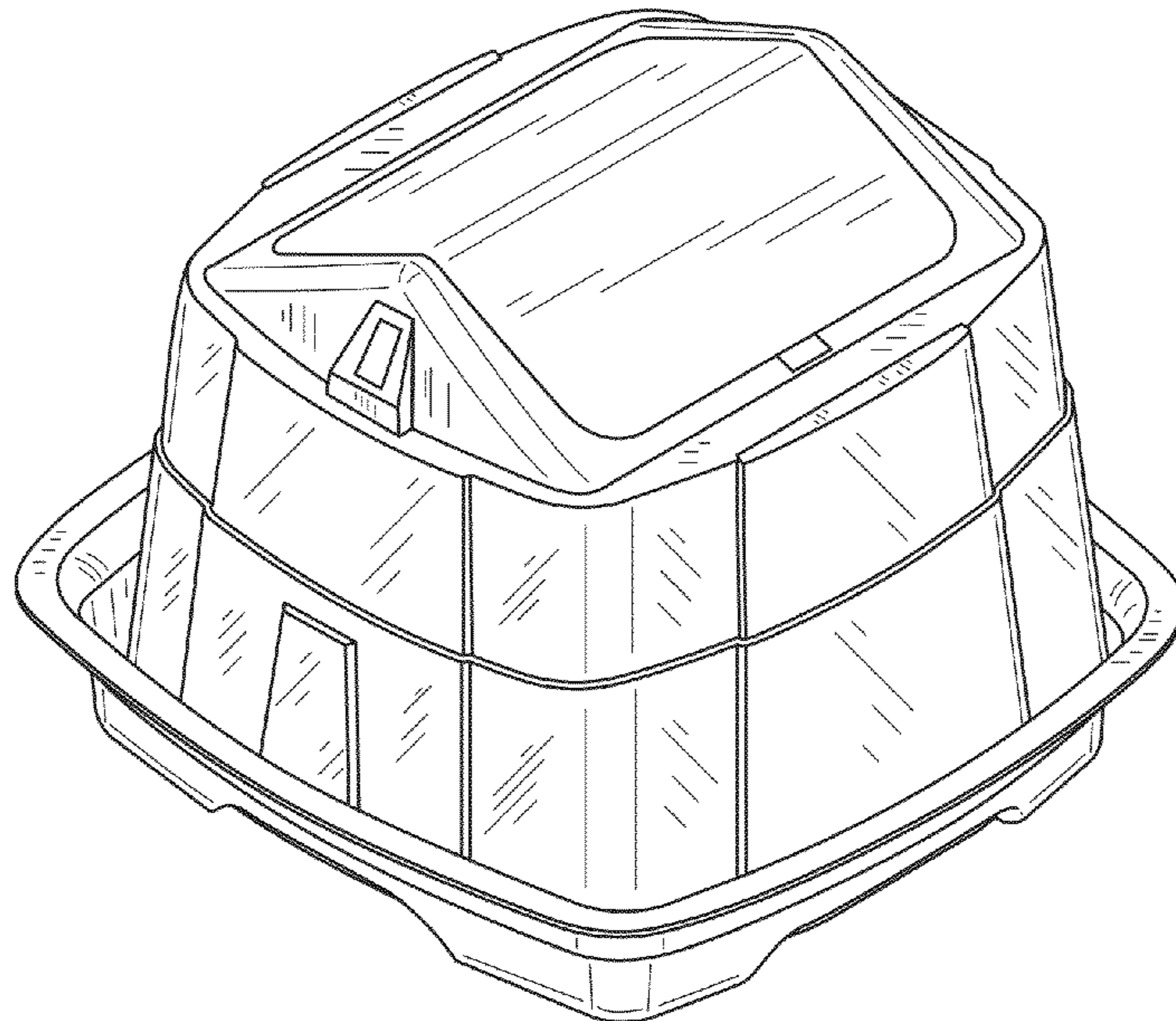
(56) **References Cited**

U.S. PATENT DOCUMENTS

D194,198 S *	12/1962	Van Dyck	D9/418
D240,354 S *	6/1976	Finkelstein	D9/636
D267,474 S *	1/1983	Maroszek	D9/418
5,396,985 A *	3/1995	Seki	206/457
D410,840 S *	6/1999	Wyslotsky et al.	D9/418
D437,554 S *	2/2001	Milton	D9/420
D509,733 S *	9/2005	Jongens	D9/430
D623,242 S *	9/2010	Greer	D9/636

* cited by examiner

1 Claim, 6 Drawing Sheets



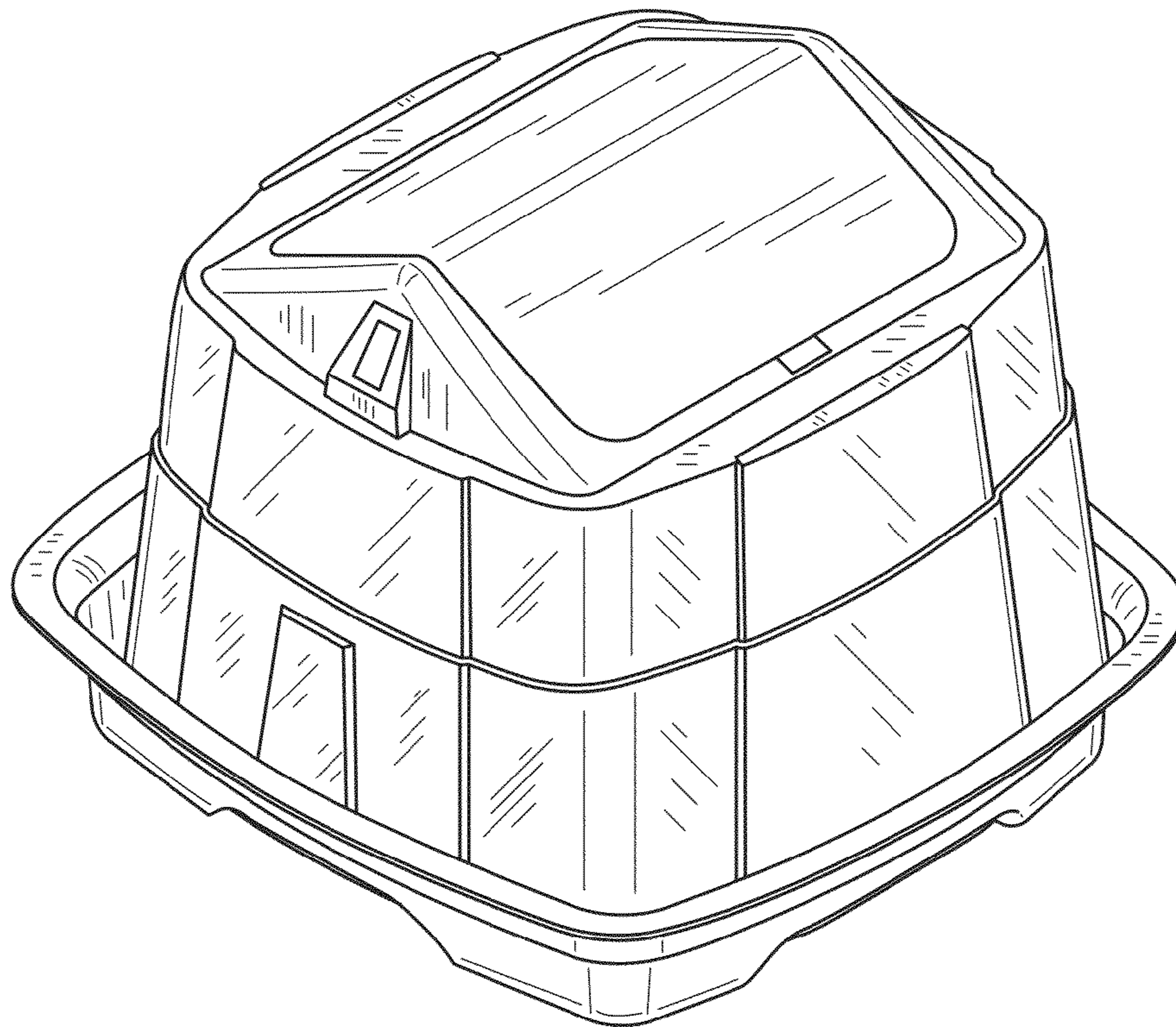
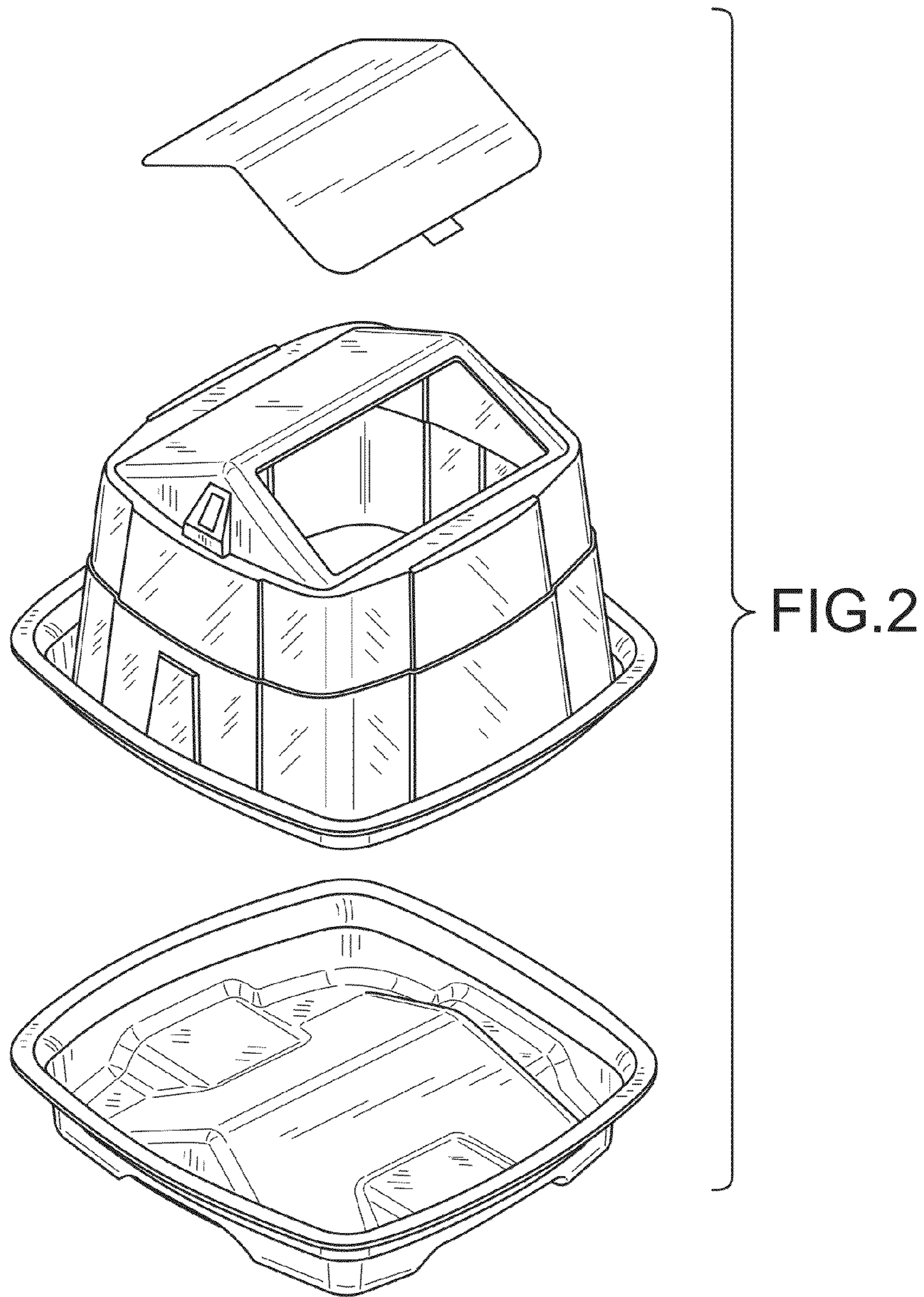


FIG.1



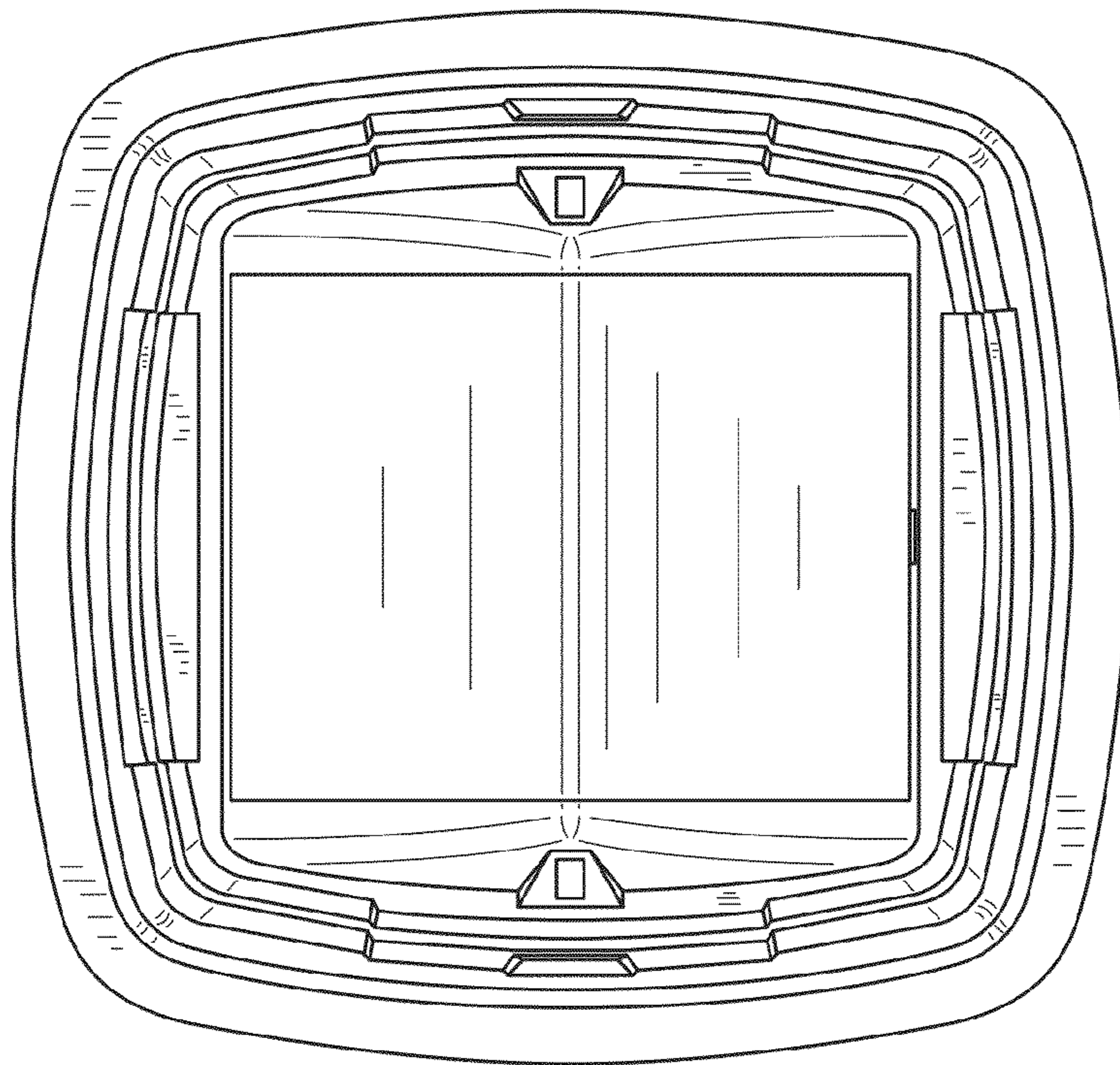


FIG.3

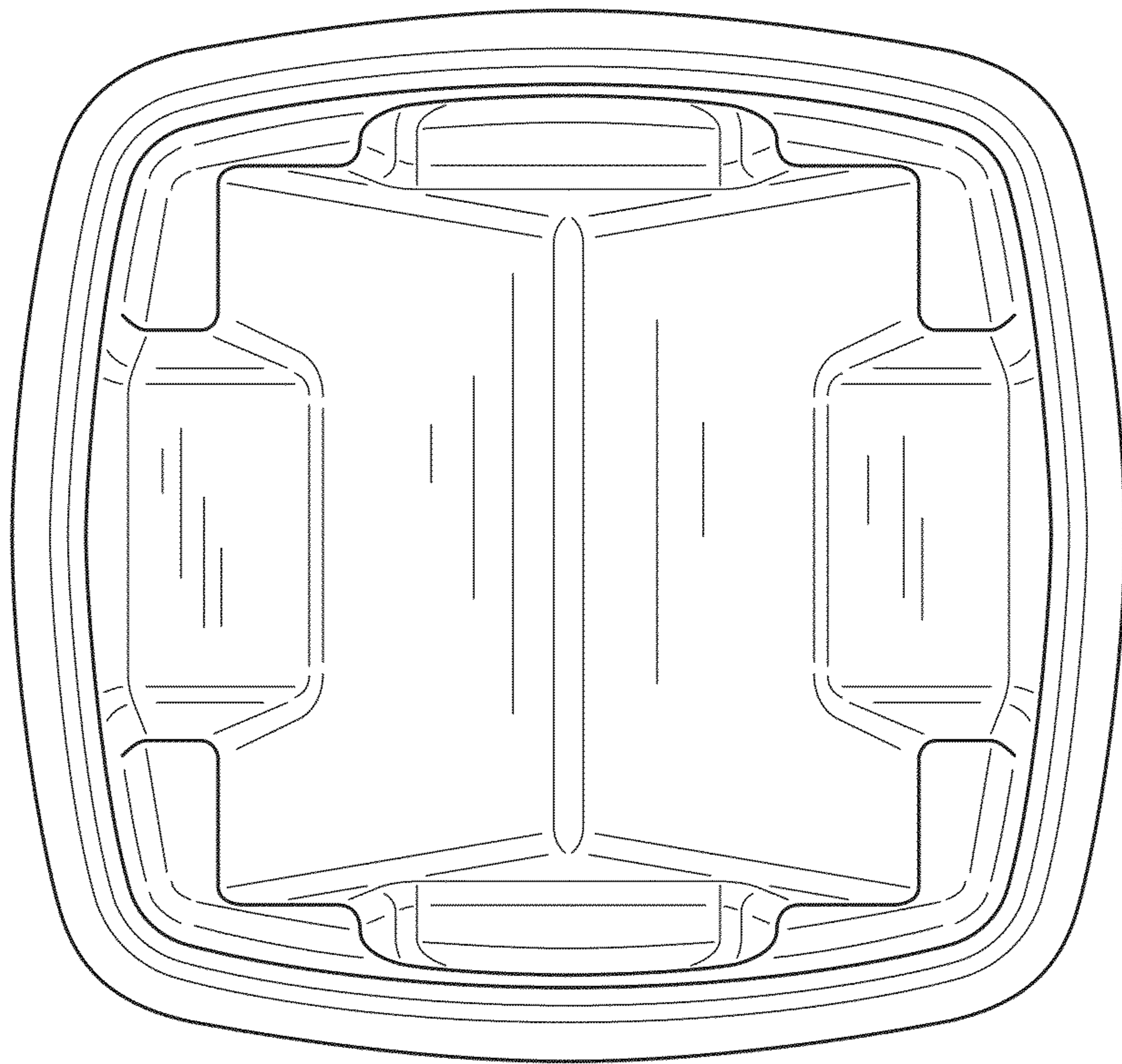


FIG.4

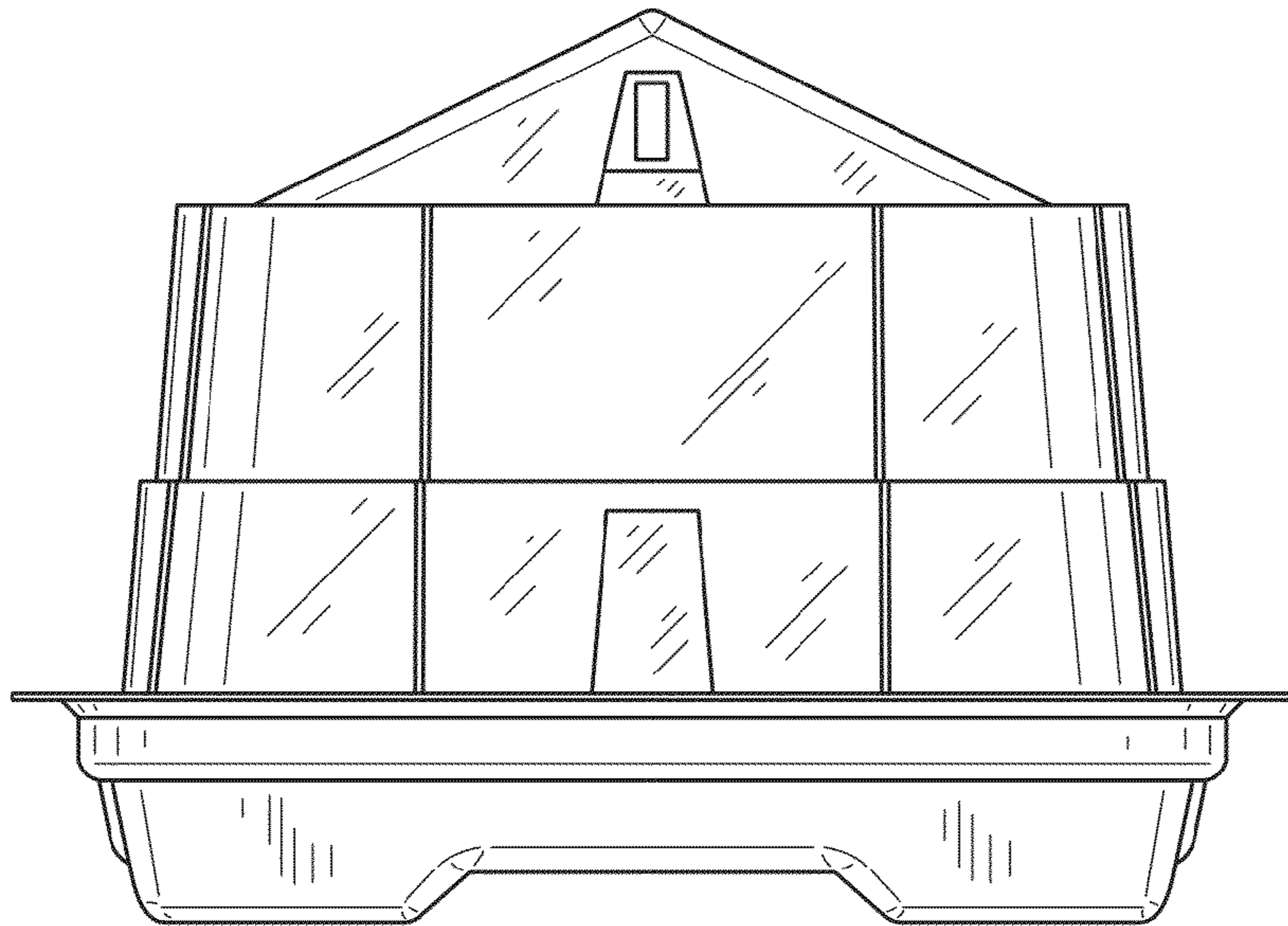


FIG.5

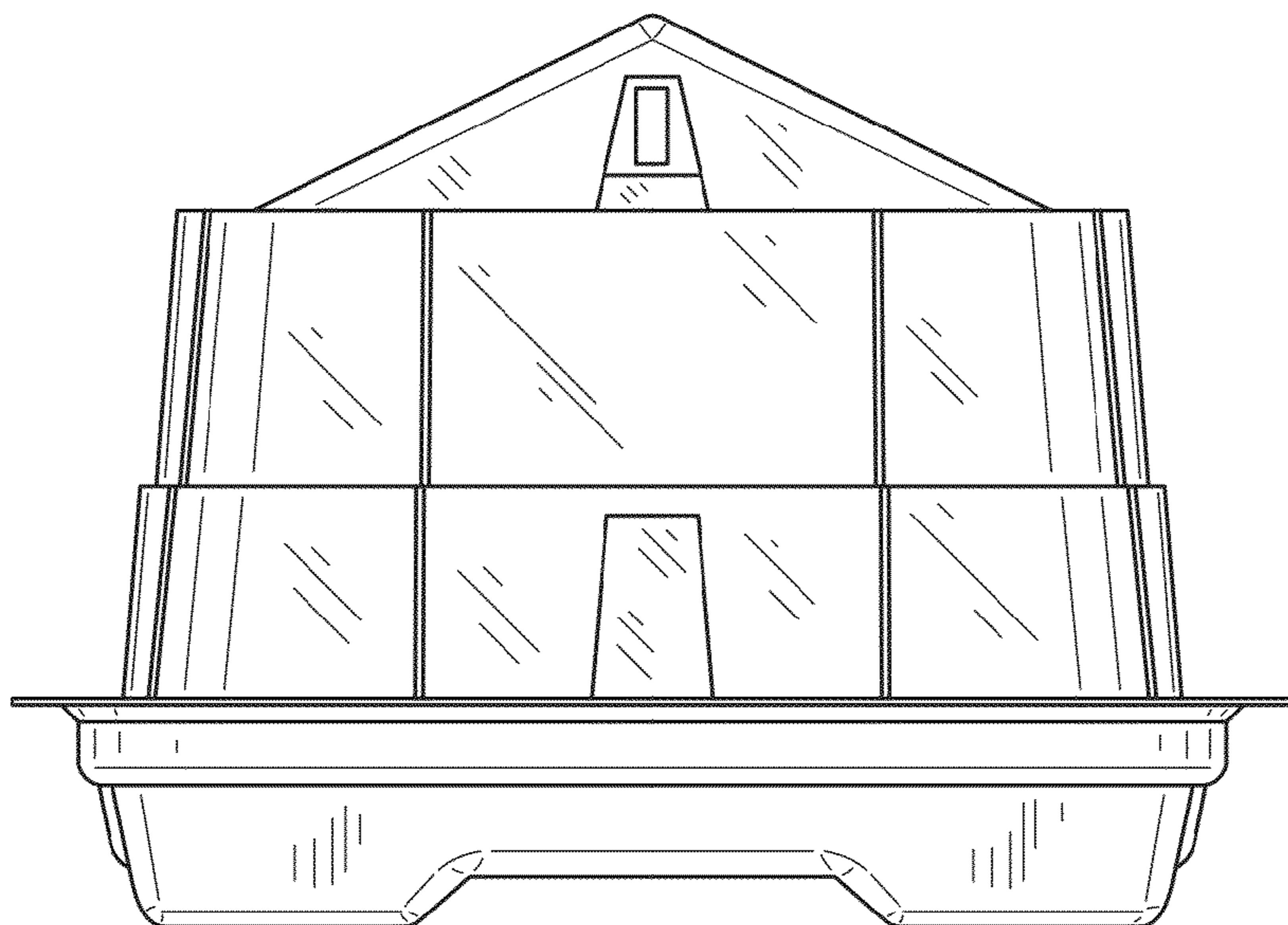


FIG.6

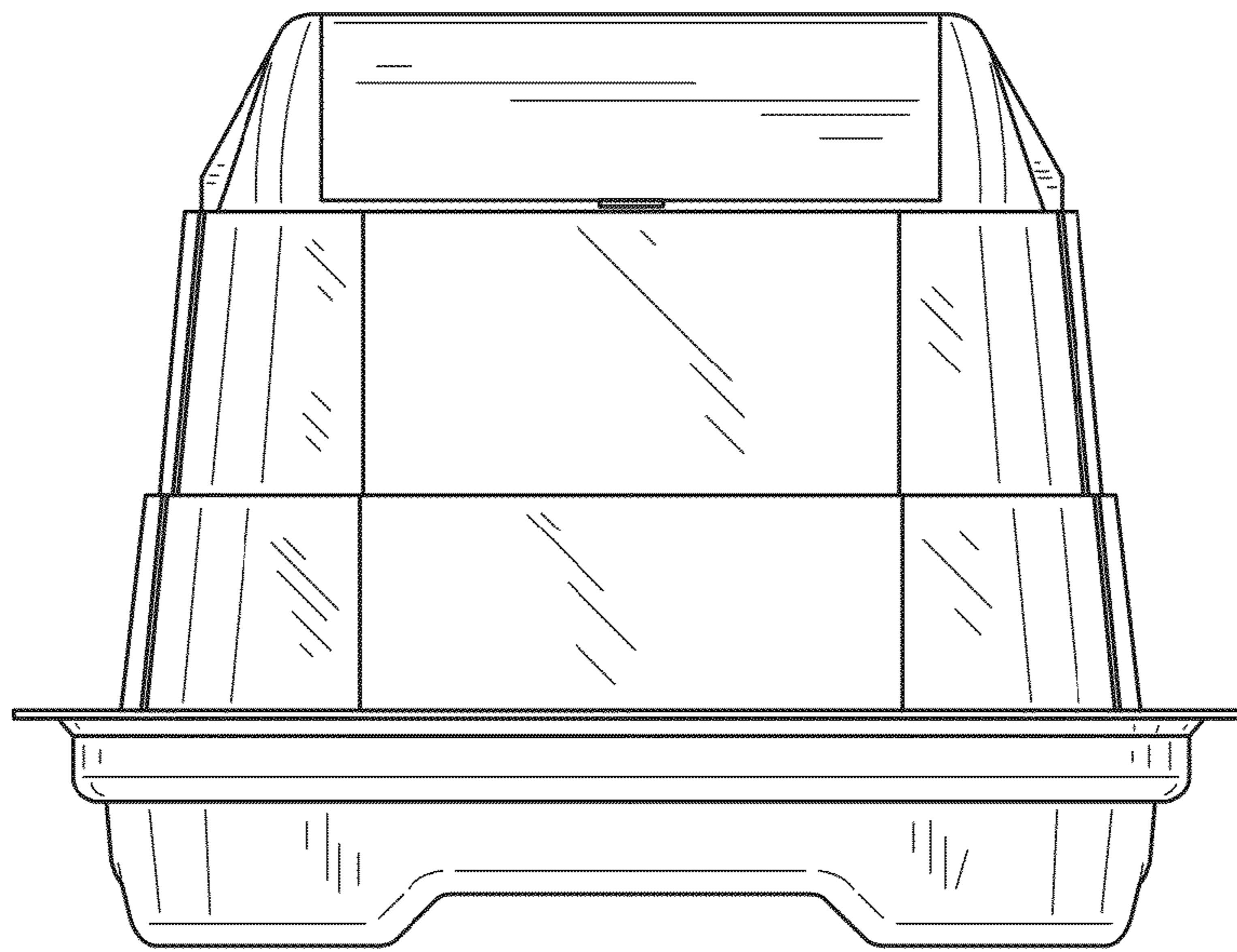


FIG. 7

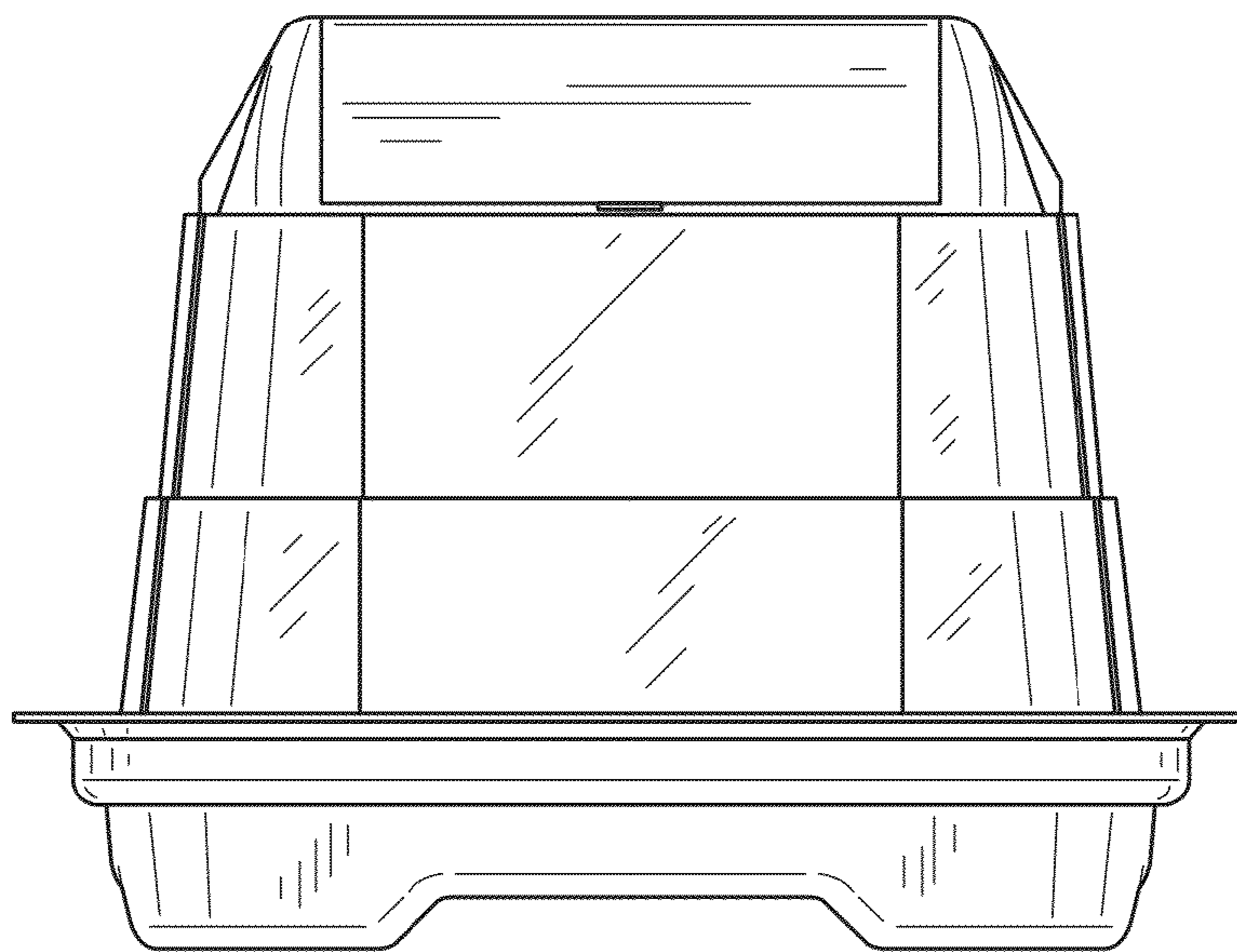


FIG. 8