



US00D686917S

(12) **United States Design Patent**  
**Seng**

(10) **Patent No.:** **US D686,917 S**

(45) **Date of Patent:** **\*\* Jul. 30, 2013**

(54) **CAP**

(75) Inventor: **Tan Khiang Seng, Johor (MY)**

(73) Assignee: **Reckitt & Colman (Overseas) Limited,**  
Slough, Berkshire (GB)

(\*\*) Term: **14 Years**

(21) Appl. No.: **29/422,370**

(22) Filed: **May 18, 2012**

(30) **Foreign Application Priority Data**

Nov. 24, 2011 (EM) ..... 001952391-0001

(51) **LOC (9) Cl.** ..... **09-07**

(52) **U.S. Cl.**  
USPC ..... **D9/448**

(58) **Field of Classification Search**

USPC ..... D9/724, 688, 686, 454, 450, 449,  
D9/448, 447, 435, 434; D28/7; 239/333;  
222/95, 536, 402.1, 153.14, 153.05, 153.04;  
220/200; 215/200

See application file for complete search history.

(56) **References Cited**

U.S. PATENT DOCUMENTS

D314,917 S \* 2/1991 Thompson ..... D9/448  
D512,309 S \* 12/2005 Geier ..... D9/448  
D536,969 S \* 2/2007 Geier ..... D9/448  
D538,651 S \* 3/2007 Nukuto et al. .... D9/448  
D564,876 S \* 3/2008 Nickel et al. .... D9/448

\* cited by examiner

*Primary Examiner* — Susan Bennett Hattan

(74) *Attorney, Agent, or Firm* — Norris McLaughlin & Marcus PA

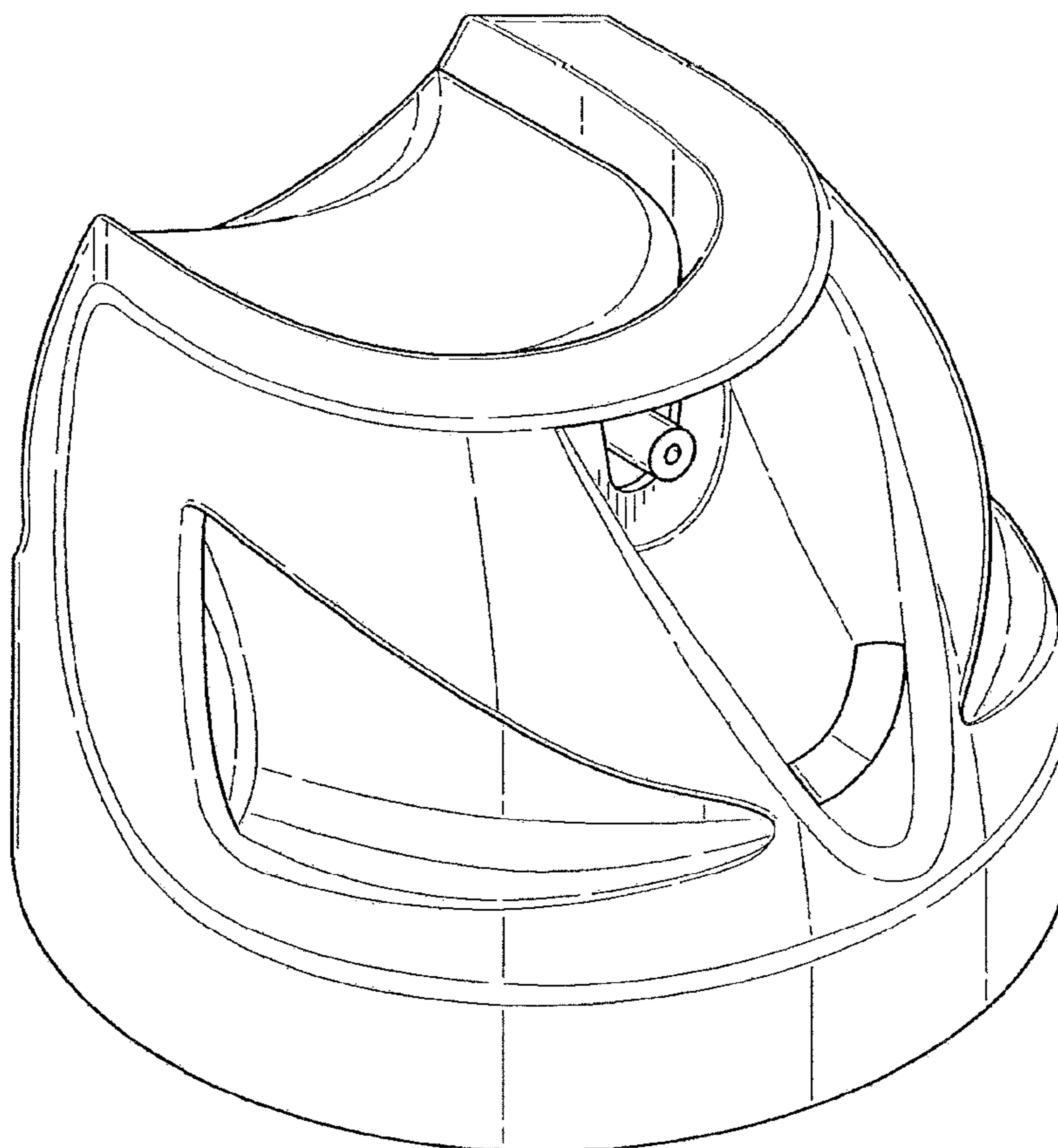
(57) **CLAIM**

The ornamental design for a cap, as shown and described.

**DESCRIPTION**

FIG. 1 is a front and side perspective view of my cap;  
FIG. 2 is a front elevational view thereof;  
FIG. 3 is a rear elevational view thereof;  
FIG. 4 is a right side elevational view thereof;  
FIG. 5 is a left side elevational view thereof;  
FIG. 6 is a top plan view thereof; and,  
FIG. 7 is a bottom plan view thereof.  
The broken lines shown in depict environmental subject matter only, and form no part of the claimed design.

**1 Claim, 5 Drawing Sheets**



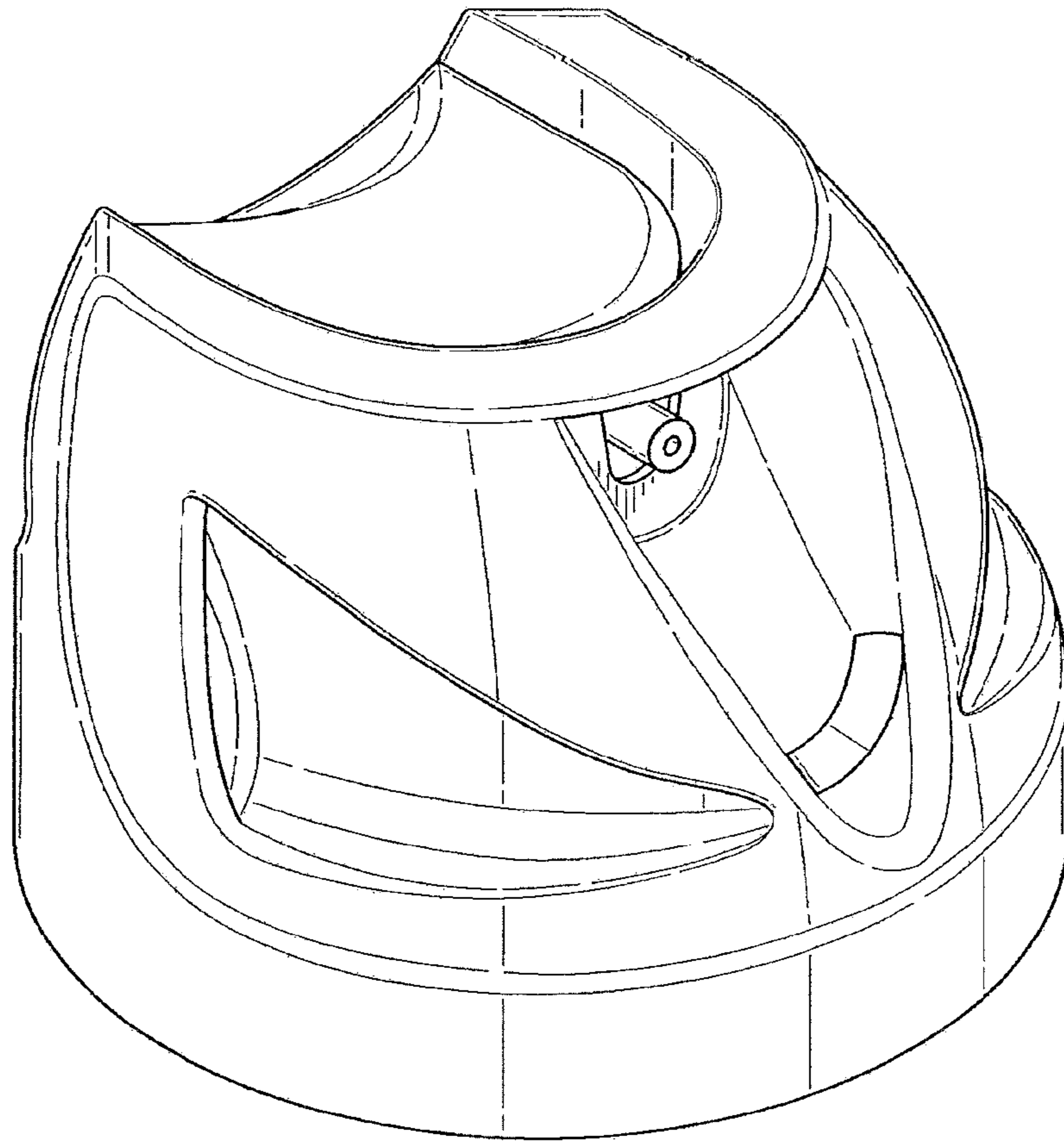


Fig. 1

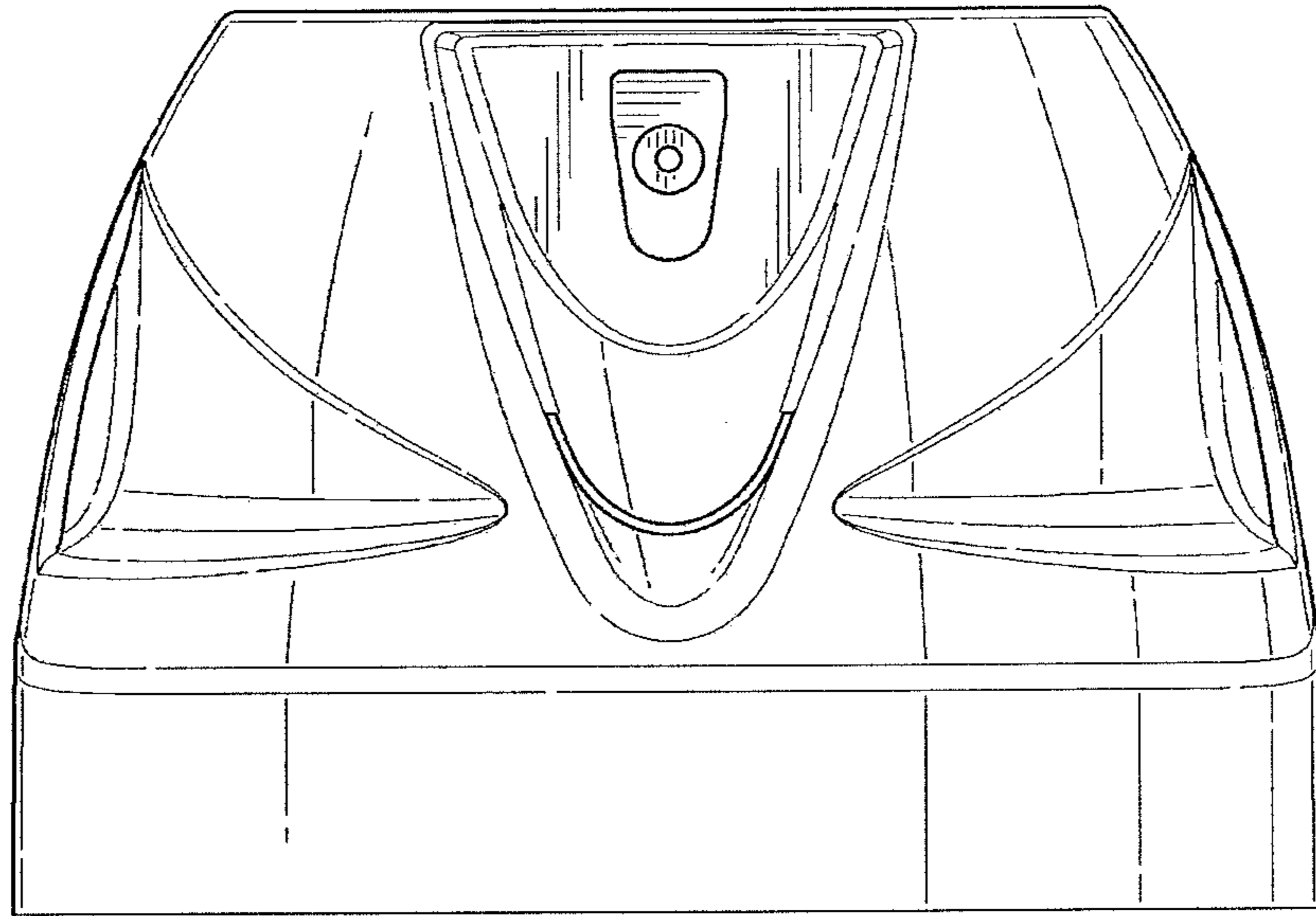


Fig. 2

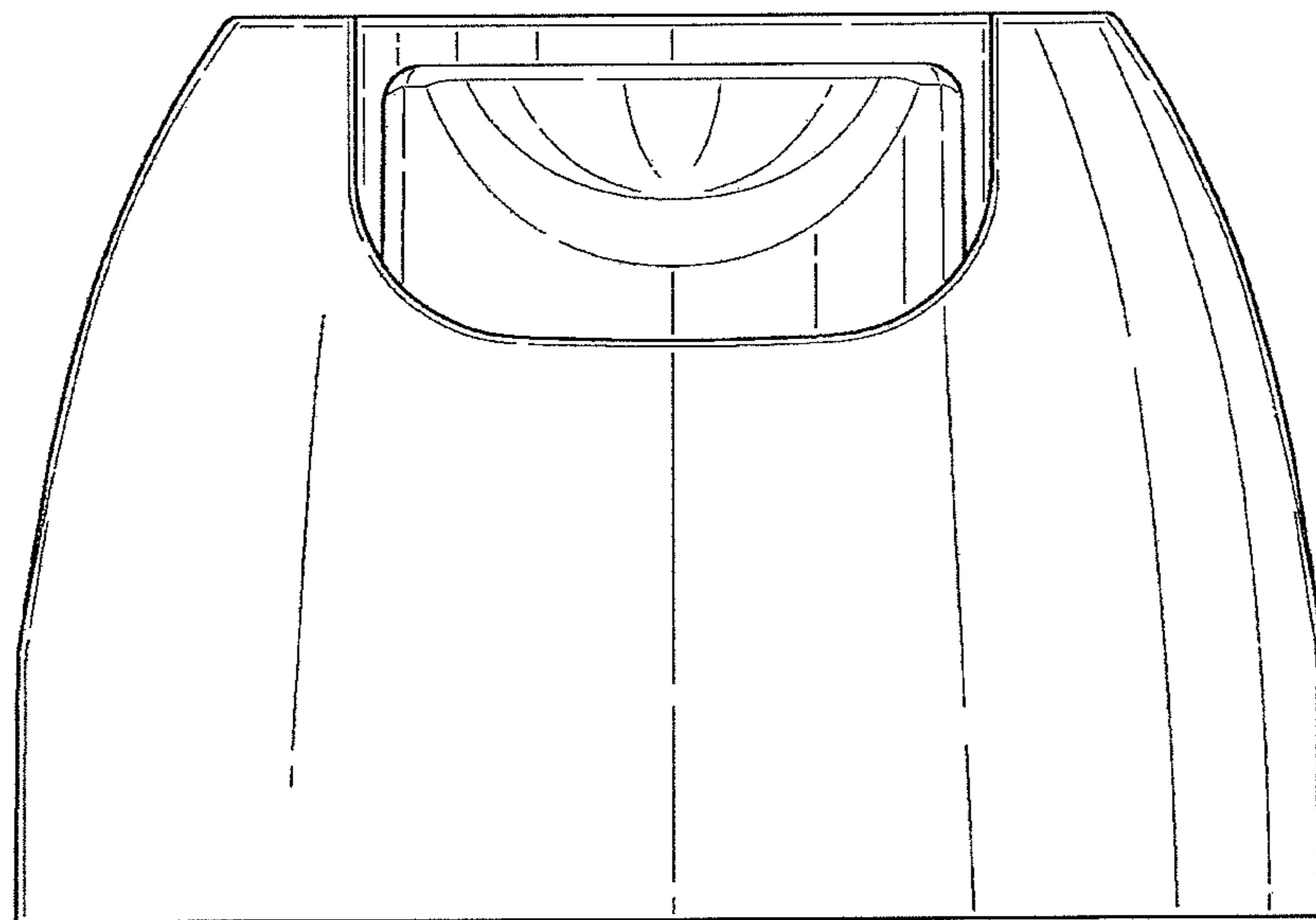


Fig. 3

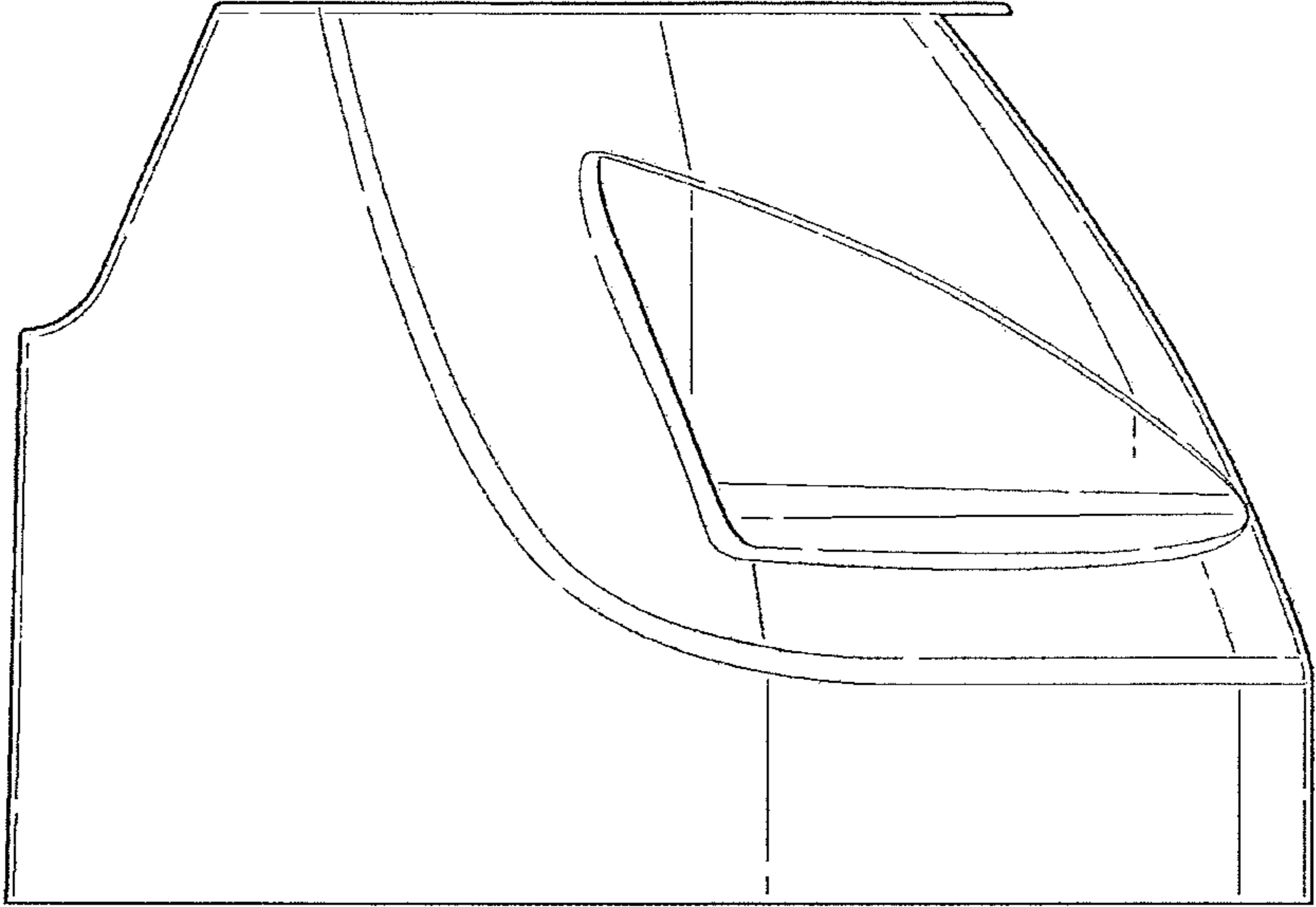


Fig. 4

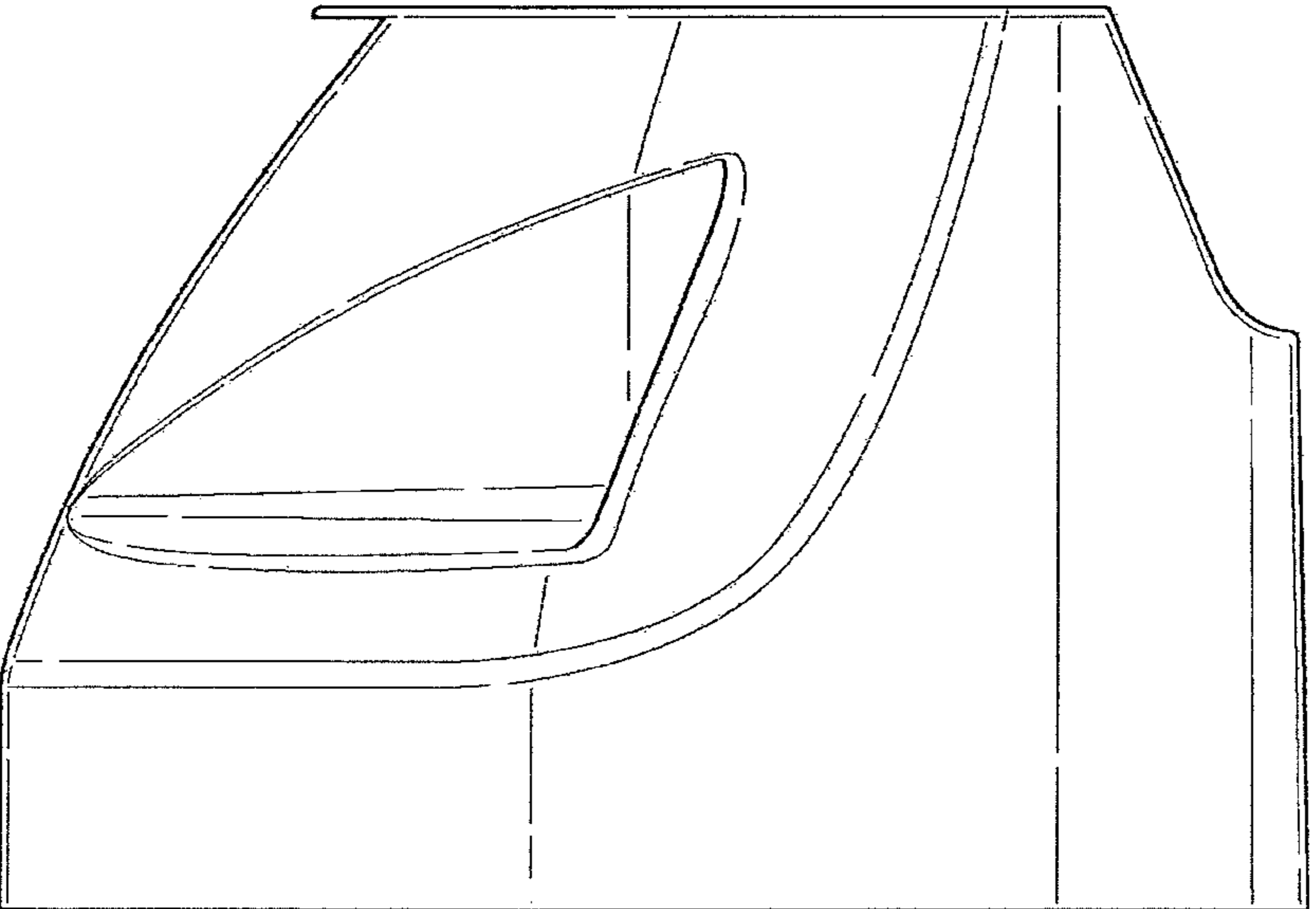


Fig. 5

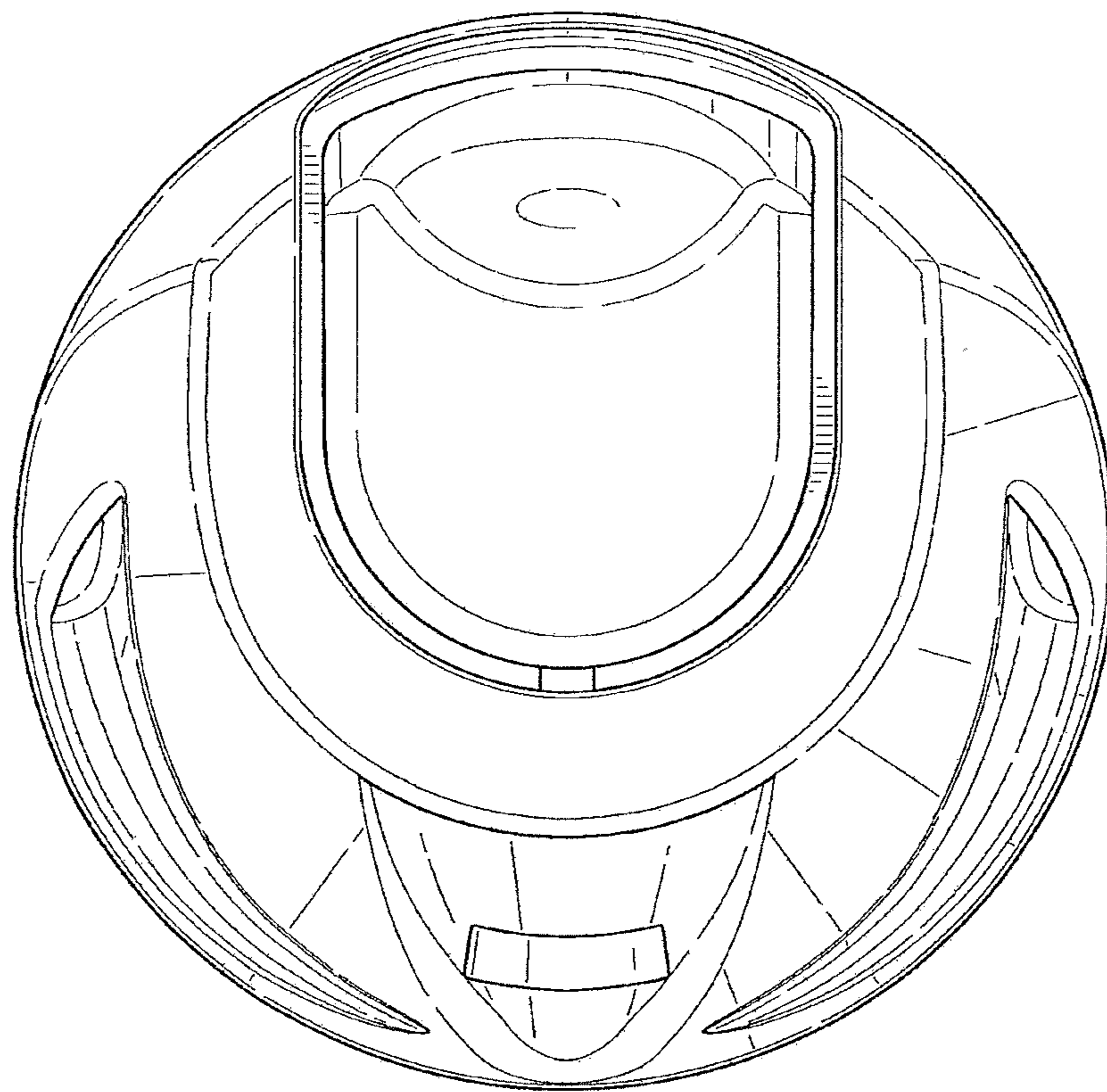


Fig. 6

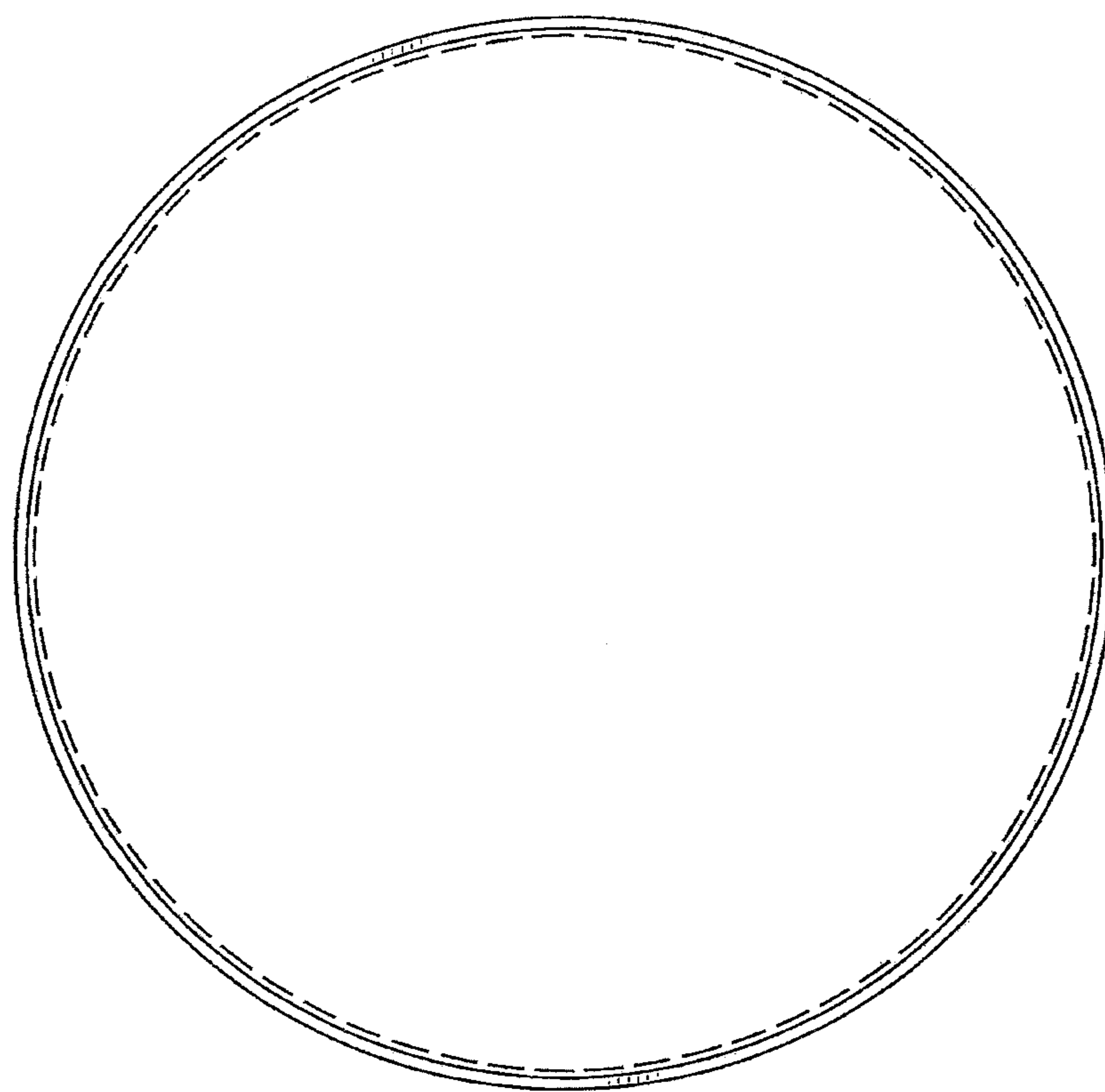


Fig. 7