



US00D686916S

(12) **United States Design Patent**
O'Brien

(10) **Patent No.:** **US D686,916 S**
(45) **Date of Patent:** **** Jul. 30, 2013**

(54) **CONTAINER WITH CASTLE-SHAPED BASE**

(71) Applicant: **Printpack Illinois, Inc.**, Elgin, IL (US)

(72) Inventor: **Patrick L. O'Brien**, Toano, VA (US)

(73) Assignee: **Printpack Illinois, Inc.**, Elgin, GA (US)

(**) Term: **14 Years**

(21) Appl. No.: **29/435,685**

(22) Filed: **Oct. 26, 2012**

(51) **LOC (9) Cl.** **09-03**

(52) **U.S. Cl.**
USPC **D9/429**

(58) **Field of Classification Search**
USPC D9/414, 418, 424, 425, 428, 429,
D9/500; D7/619, 629; 229/400-406, 932,
229/906.1; 220/656-659, 669-675, 912,
220/4.21-4.27; 206/553, 557, 541, 775, 776
See application file for complete search history.

(56) **References Cited**

U.S. PATENT DOCUMENTS

3,357,590	A	12/1967	Safford	
3,935,955	A	2/1976	Das	
D240,019	S	5/1976	Taylor	
D260,967	S	9/1981	Taylor	
D270,332	S	8/1983	Gaunt	
D272,418	S	1/1984	Gruodis et al.	
4,859,337	A	8/1989	Woltermann	
4,925,048	A	5/1990	Noack	
D327,845	S	7/1992	Behm et al.	
D330,330	S	10/1992	Behm et al.	
5,232,120	A	8/1993	Dunken et al.	
5,325,765	A	7/1994	Sylvan et al.	
D351,790	S *	10/1994	Haindl	D9/425
5,375,719	A	12/1994	Mittmann et al.	
5,419,436	A	5/1995	Powell	
D364,564	S *	11/1995	Moore	D9/429

D380,383	S	7/1997	Wiemann et al.	
D390,460	S *	2/1998	Schmidt	D9/428
D398,528	S	9/1998	Wiemann et al.	
5,840,189	A	11/1998	Sylvan et al.	
5,992,632	A	11/1999	Karren	
6,024,244	A	2/2000	Hicks	
6,086,931	A *	7/2000	Whiteford	426/118
6,134,832	A	10/2000	Bokmiller et al.	
6,138,862	A	10/2000	Tai	
D435,216	S	12/2000	Paoloski	
D438,794	S *	3/2001	Miles et al.	D9/429
D452,434	S *	12/2001	Sweeney	D9/429
6,440,256	B1	8/2002	Gordon et al.	
D474,110	S	5/2003	Sweeney	
6,589,577	B2	7/2003	Lazaris	
6,607,762	B2	8/2003	Lazaris et al.	

(Continued)

FOREIGN PATENT DOCUMENTS

WO	2008136026	11/2008
WO	2012055751	5/2012
WO	2012122329	9/2012

Primary Examiner — Thomas Johannes

(74) *Attorney, Agent, or Firm* — Sutherland Asbill and Brennan LLP

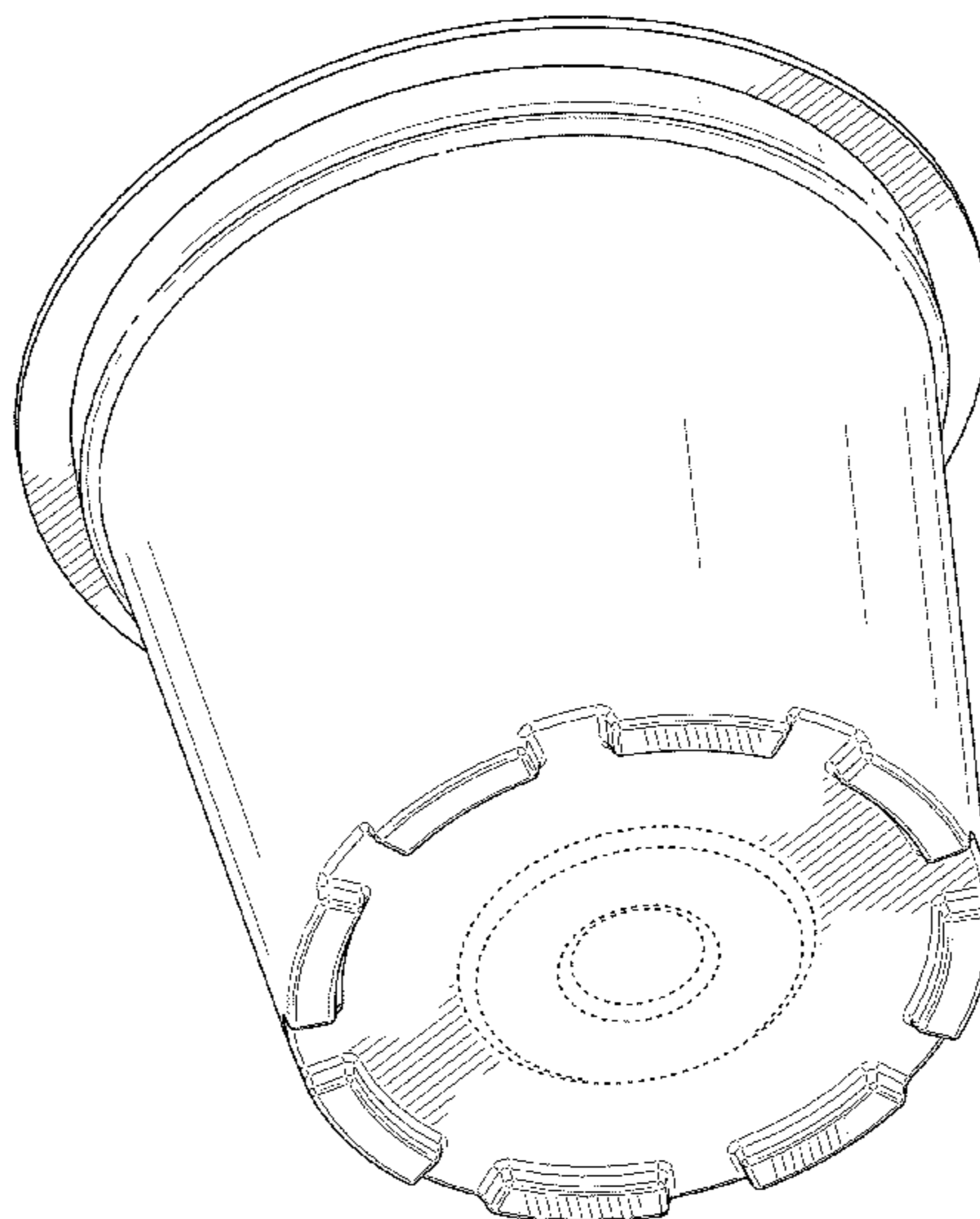
(57) **CLAIM**

The ornamental design for a container with a castle-shaped base, as shown and described.

DESCRIPTION

FIG. 1 is a side view of a container with a castle-shaped base according to a first embodiment; FIG. 2 is a bottom view thereof; FIG. 3 is a top view thereof; and, FIG. 4 is a forward lower perspective view thereof. The broken lines are directed to environment and show unclaimed subject matter only; the broken lines form no part of the claimed design.

1 Claim, 4 Drawing Sheets



US D686,916 S

U.S. PATENT DOCUMENTS						
6,645,537	B2	11/2003	Sweeney et al.	D645,340	S 9/2011	Menard et al.
6,810,788	B2	11/2004	Hale	D647,398	S 10/2011	Winkler
6,837,377	B2	1/2005	Shuert	D647,399	S 10/2011	Winkler
D502,362	S	3/2005	Lazaris et al.	D648,212	S *	11/2011 Golota et al. D9/428
D502,870	S	3/2005	Bennett et al.	D651,096	S 12/2011	Nakagiri
D504,814	S	5/2005	Bretz et al.	D651,901	S 1/2012	Miller et al.
D519,831	S *	5/2006	de Cleir et al. D9/428	8,127,663	B2 3/2012	Nottingham et al.
D522,368	S	6/2006	Darr et al.	2002/0112983	A1 8/2002	Padovani
D528,422	S	9/2006	Darr et al.	2002/0134701	A1 9/2002	Olsthoorn et al.
D530,615	S	10/2006	Darr et al.	2004/0173565	A1 9/2004	Semersky et al.
D532,293	S	11/2006	Martin	2005/0017013	A1 1/2005	Peisach et al.
D532,307	S	11/2006	Durand	2005/0051478	A1 3/2005	Karanikos
D541,147	S *	4/2007	LaMasney D9/428	2005/0173287	A1 8/2005	Smith et al.
7,204,056	B2	4/2007	Sieverding	2009/0194546	A1 8/2009	Lane
D554,507	S	11/2007	Laupie	2010/0018889	A1 1/2010	Korpanty et al.
D554,508	S	11/2007	YunFu	2010/0064899	A1 3/2010	Aardenburg
D574,242	S	8/2008	Lin	2010/0072165	A1 3/2010	Schau
D595,581	S	7/2009	Brunson	2010/0288131	A1 11/2010	Kilber
D603,221	S	11/2009	Liu et al.	2010/0288133	A1 11/2010	Litzka et al.
D605,502	S *	12/2009	Honda et al. D9/429	2010/0303964	A1 12/2010	Beaulieu et al.
D606,363	S	12/2009	Aardenburg	2010/0303965	A1 12/2010	Mariller
7,624,535	B2	12/2009	Schmidt	2011/0076361	A1 3/2011	Peterson et al.
7,624,673	B2	12/2009	Zanetti	2011/0147392	A1 6/2011	Trude et al.
7,677,435	B2	3/2010	Stahlecker	2011/0151075	A1 6/2011	Peterson
D616,704	S	6/2010	Hou	2011/0240506	A1 10/2011	D'Amato
D620,310	S	7/2010	Lundberg	2011/0259205	A1 10/2011	Delorme
D622,147	S	8/2010	Pedmo	2011/0283890	A1 11/2011	Scrivani
D623,063	S	9/2010	Pedmo	2011/0305801	A1 12/2011	Beer
7,789,255	B2	9/2010	Zoppas	2012/0006205	A1 1/2012	Vanni
D628,476	S	12/2010	Vang	2012/0055832	A1 3/2012	Riethmueller
D628,883	S *	12/2010	Stephens D9/429	2012/0058226	A1 3/2012	Winkler
D630,947	S	1/2011	Mashouf	2012/0097602	A1 4/2012	Tedford
7,891,513	B2	2/2011	Mody et al.	2012/0121764	A1 5/2012	Lai et al.
D637,484	S	5/2011	Winkler	2012/0121768	A1 5/2012	Lai et al.
7,981,451	B2	7/2011	Ozanne	2012/0171332	A1 7/2012	Lai et al.
D643,734	S	8/2011	Perez	2012/0201933	A1 8/2012	Dran et al.

* cited by examiner

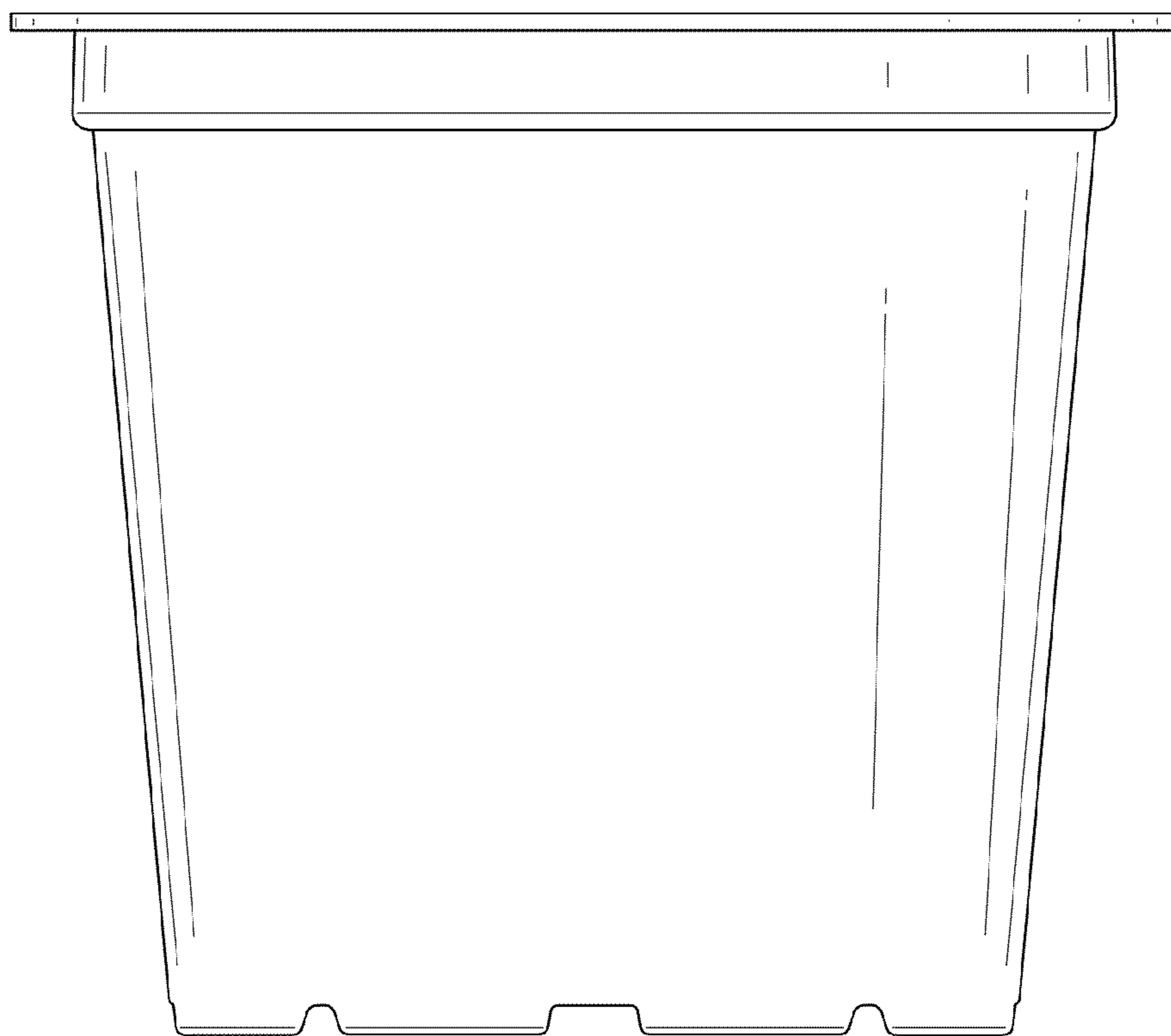


FIG. 1

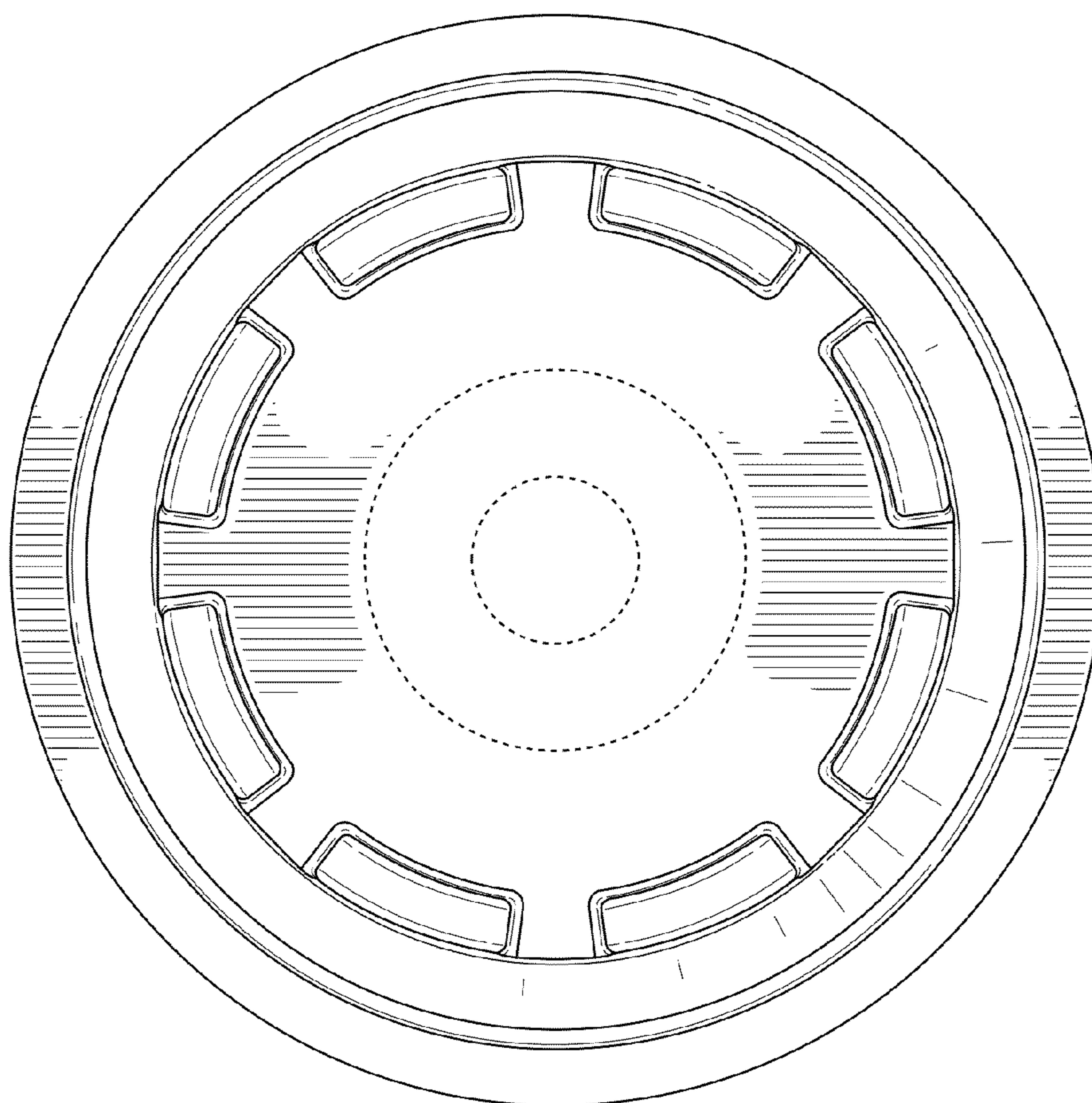


FIG. 2

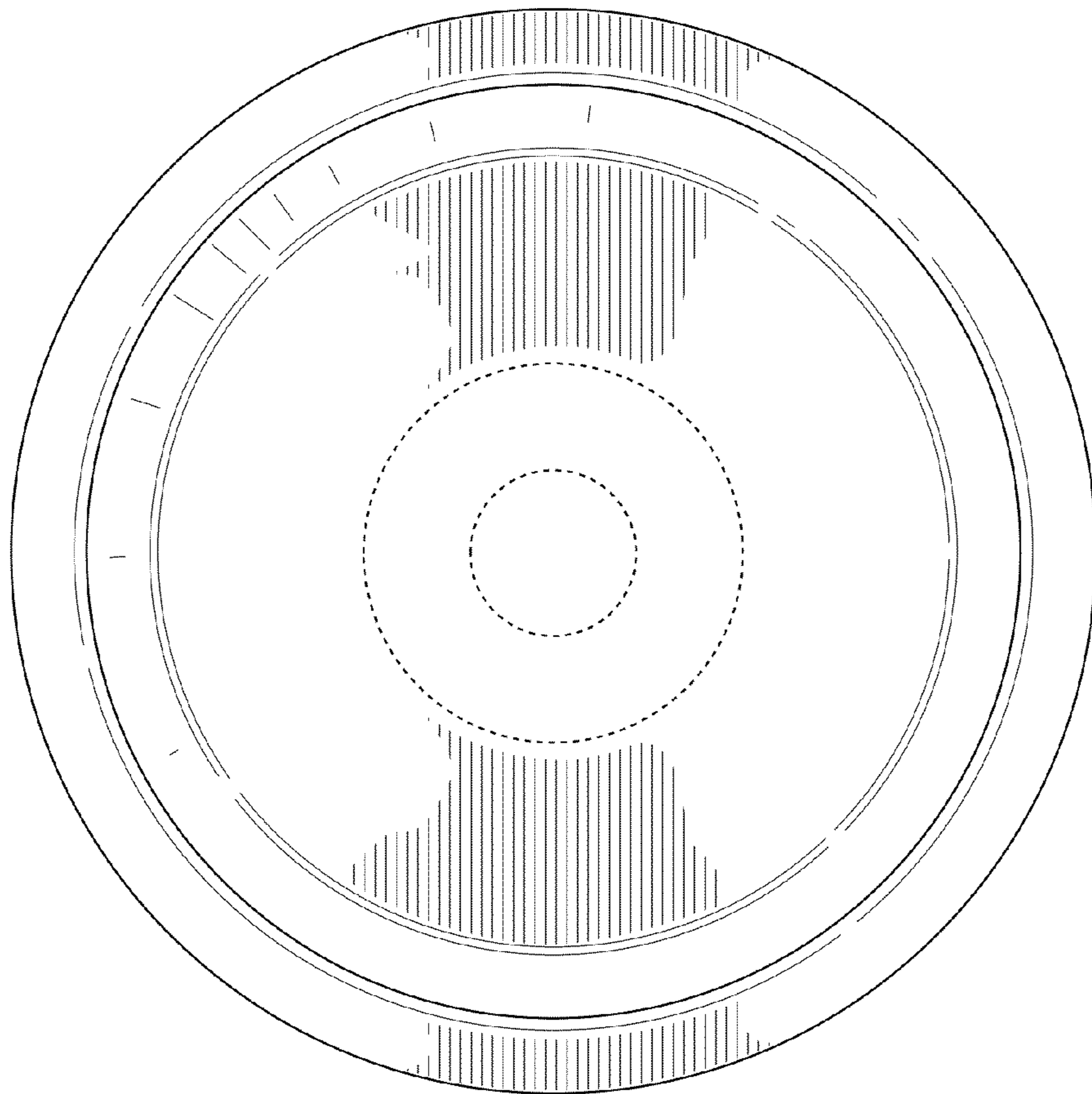


FIG. 3

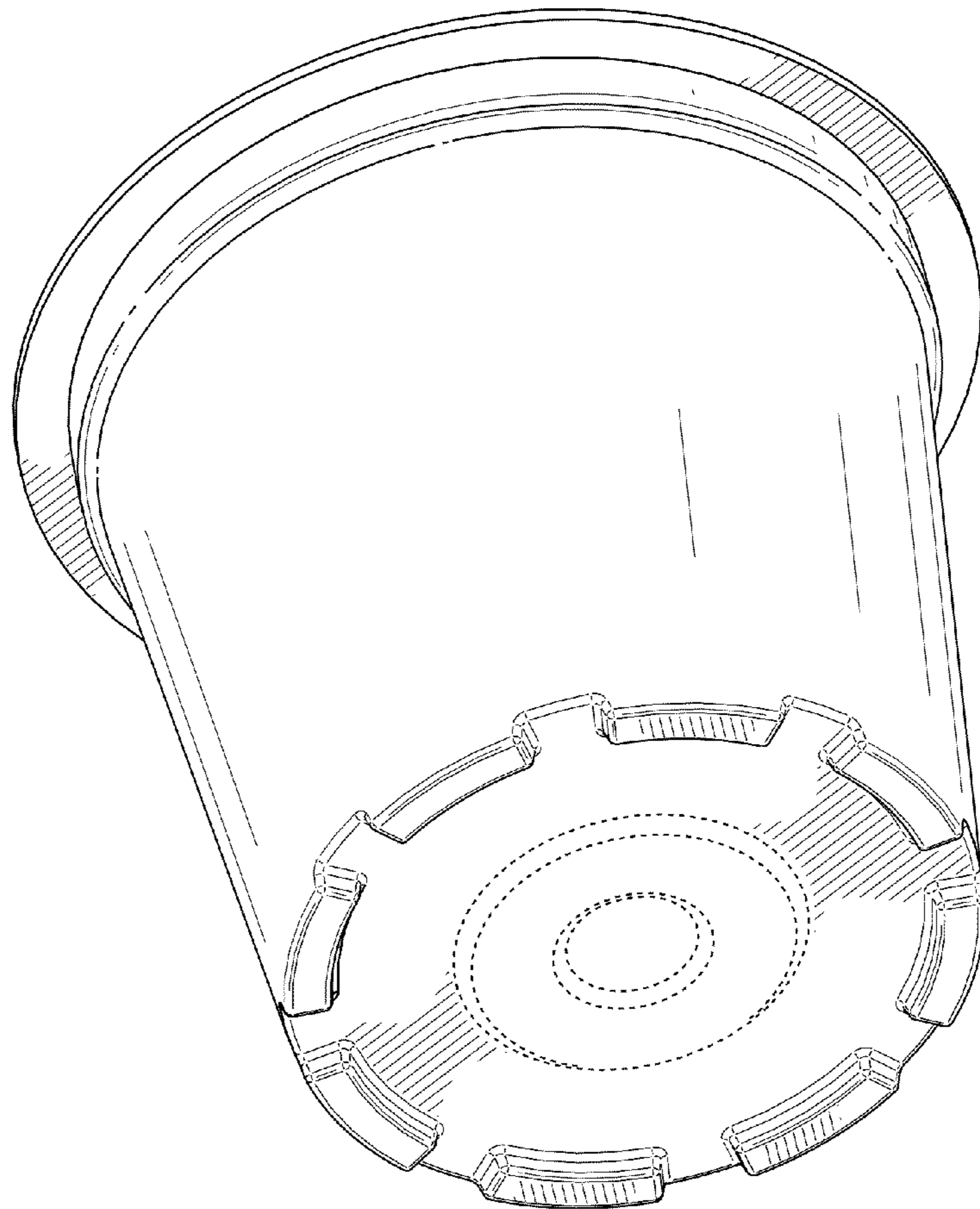


FIG. 4