



US00D686915S

(12) **United States Design Patent**  
**Harvey et al.**

(10) **Patent No.:** **US D686,915 S**  
(45) **Date of Patent:** **\*\* Jul. 30, 2013**

(54) **FOOD CONTAINER BASE**

(75) Inventors: **Katie Harvey**, Claremont, CA (US);  
**Ayberk Abayhan**, Lake Bluff, IL (US);  
**Tom Guerin**, Chicago, IL (US)

(73) Assignees: **Pactiv LLC**, Lake Forest, IL (US); **Havi Global Solutions, LLC**, Downers Grove, IL (US)

(\*\*) Term: **14 Years**

(21) Appl. No.: **29/412,698**

(22) Filed: **Feb. 7, 2012**

(51) **LOC (9) Cl.** ..... **09-03**

(52) **U.S. Cl.**  
USPC ..... **D9/428**

(58) **Field of Classification Search**  
USPC ..... D9/424, 425, 428, 737, 761; D7/360,  
D7/545, 553.6; 206/501-509, 512; 220/575  
See application file for complete search history.

(56) **References Cited**

U.S. PATENT DOCUMENTS

D415,421	S	*	10/1999	McCann	.....	D9/428
6,371,327	B1	*	4/2002	Swiontek et al.	.....	220/574
D483,999	S	*	12/2003	Beachum et al.	.....	D7/553.6
D508,822	S	*	8/2005	Smith et al.	.....	D7/545
D523,287	S	*	6/2006	Hayes et al.	.....	D7/545
7,121,422	B2	*	10/2006	Gitschlag et al.	.....	220/575
7,337,943	B2	*	3/2008	Johns et al.	.....	229/406

D571,156	S	*	6/2008	Gartz et al.	.....	D7/545
D579,713	S	*	11/2008	Dodane	.....	D7/360
D607,689	S	*	1/2010	Hart et al.	.....	D7/360
2007/0170083	A1	*	7/2007	Smith et al.	.....	206/509

OTHER PUBLICATIONS

U.S. Appl. No. 29/412,700, Oct. 23, 2012 Notice of Allowance.  
U.S. Appl. No. 29/412,696, filed Feb. 7, 2012.  
U.S. Appl. No. 29/412,700, filed Feb. 7, 2012.

\* cited by examiner

*Primary Examiner* — Thomas Johannes

(74) *Attorney, Agent, or Firm* — Baker Botts L.L.P.

(57) **CLAIM**

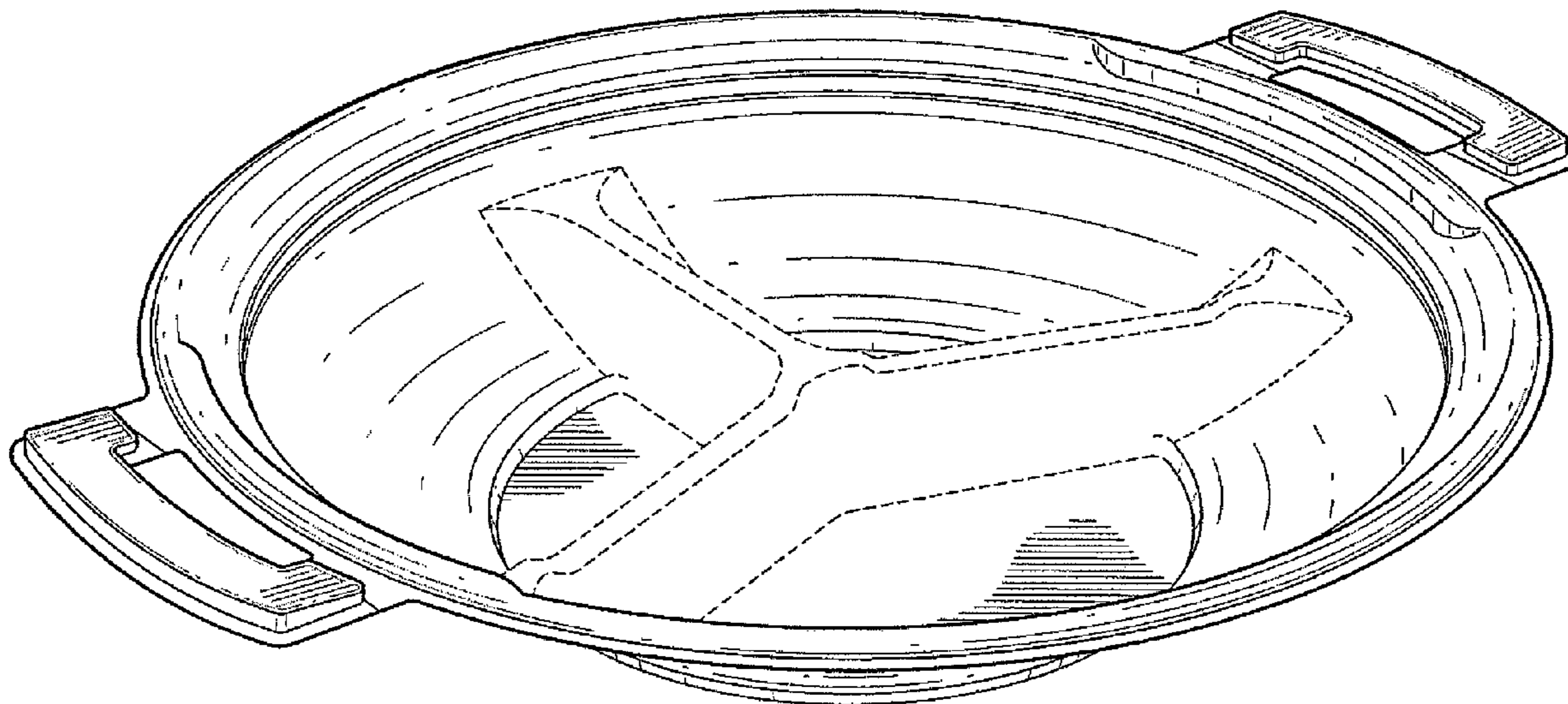
The ornamental design for a food container base, as shown and described.

**DESCRIPTION**

FIG. 1 is a perspective view of a food container base of our design;  
FIG. 2 is a front view thereof;  
FIG. 3 is a right side view thereof;  
FIG. 4 is a back view thereof;  
FIG. 5 is a left side view thereof;  
FIG. 6 is a top view thereof; and,  
FIG. 7 is a bottom view thereof.

The broken line portion of the figure drawings is included to show unclaimed subject matter only and forms no part of the claimed design.

**1 Claim, 7 Drawing Sheets**



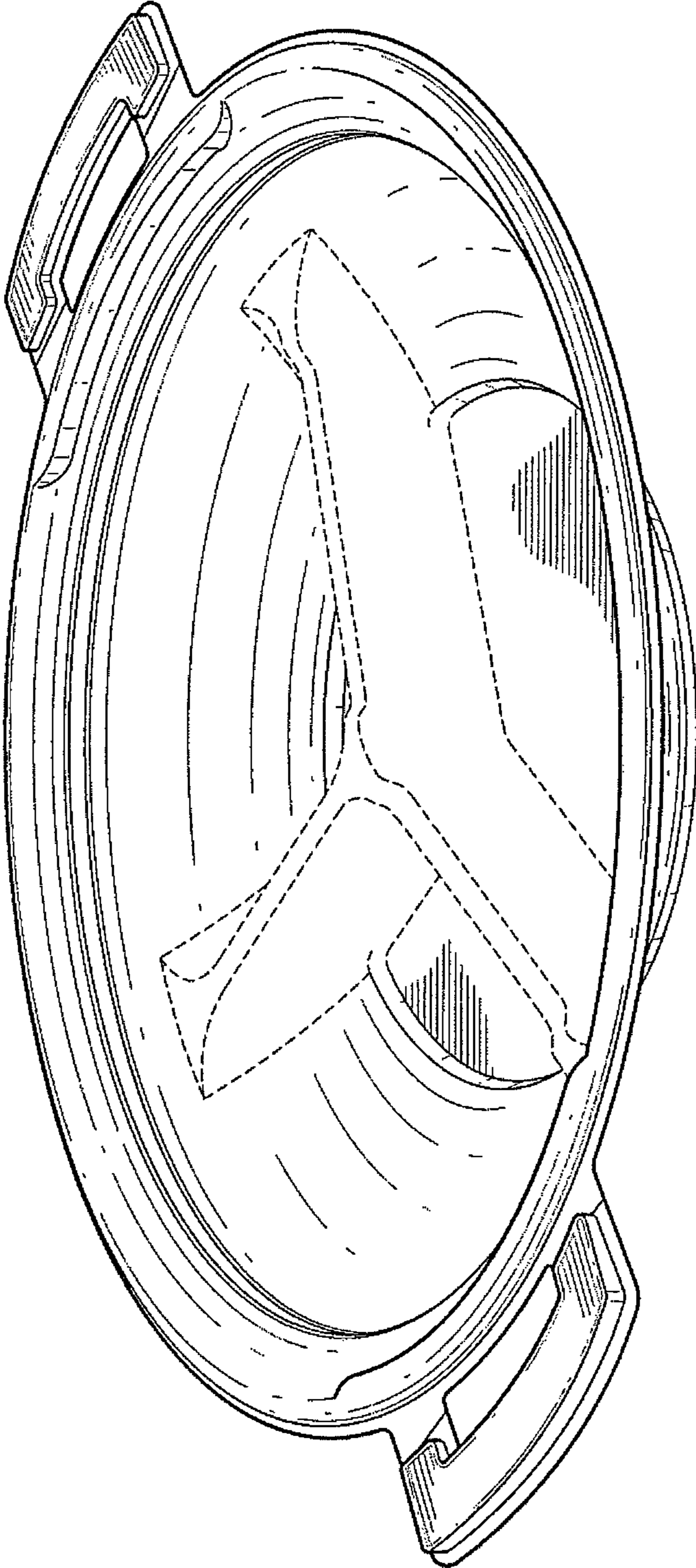


FIG. 1

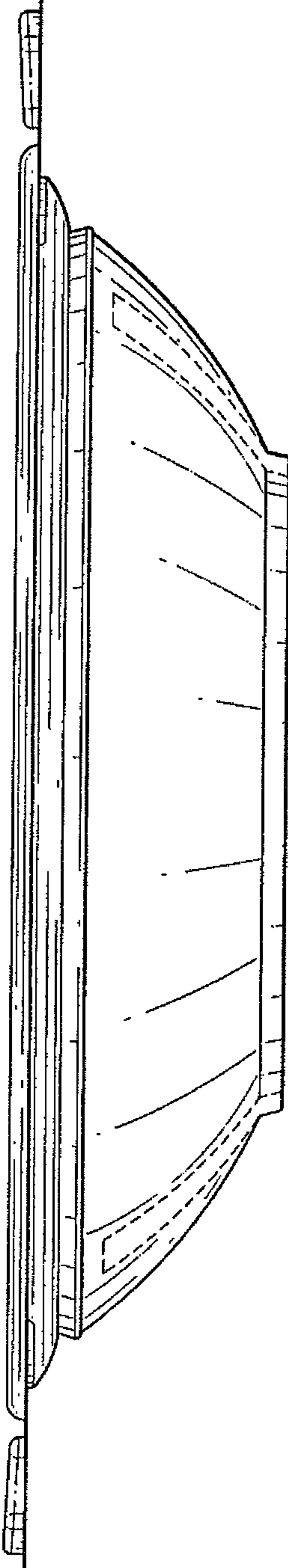


FIG. 2

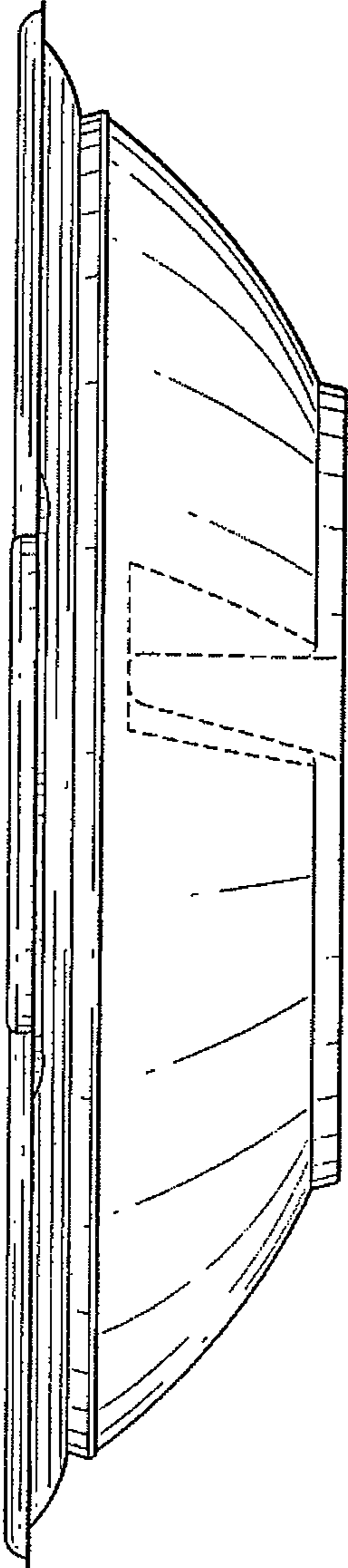


FIG. 3

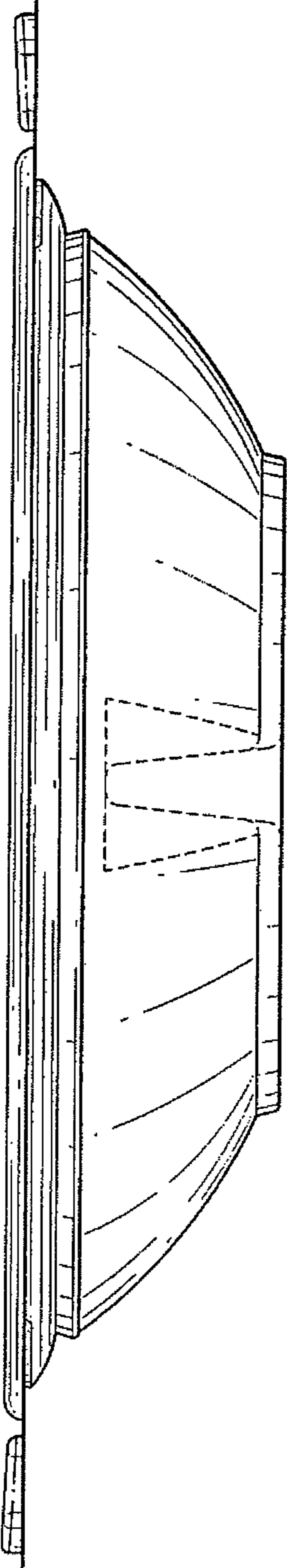


FIG. 4



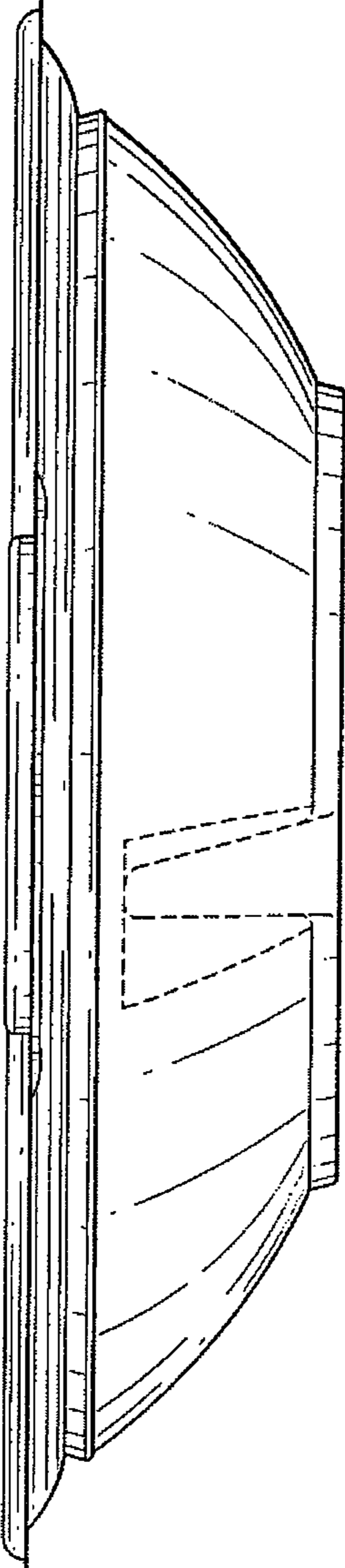


FIG. 5

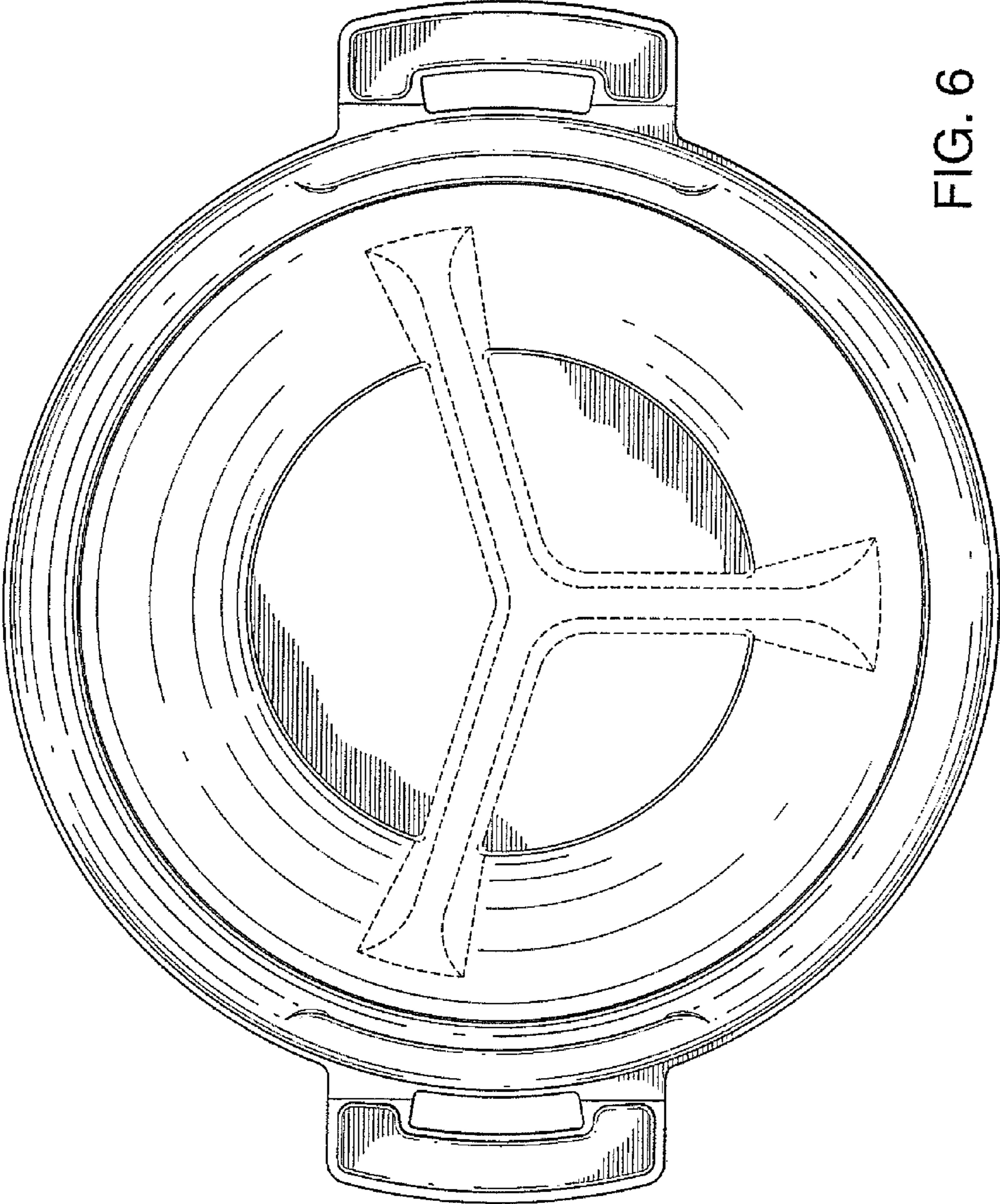


FIG. 6

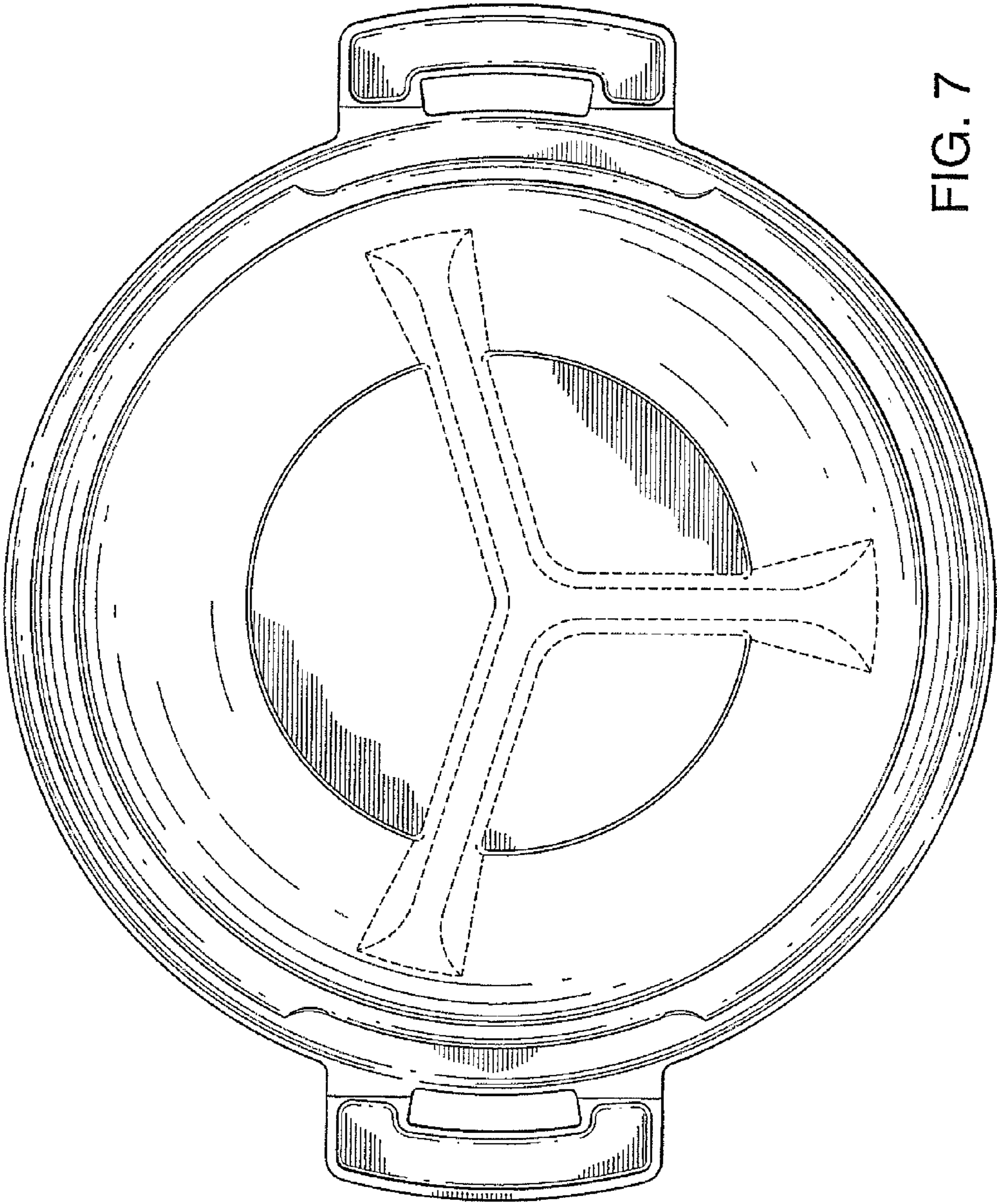


FIG. 7