



US00D686914S

(12) **United States Design Patent**
Harvey et al.

(10) **Patent No.:** **US D686,914 S**
(45) **Date of Patent:** **** Jul. 30, 2013**

(54) **FOOD CONTAINER WITH LID**

D579,713 S * 11/2008 Dodane D7/360
D607,689 S * 1/2010 Hart et al. D7/360
D665,675 S * 8/2012 Wu D9/761

(75) Inventors: **Katie Harvey**, Claremont, CA (US);
Ayberk Abayhan, Lake Bluff, IL (US);
Tom Guerin, Chicago, IL (US)

OTHER PUBLICATIONS

U.S. Appl. No. 29/412,698, filed Feb. 7, 2012.
U.S. Appl. No. 29/412,700, filed Feb. 7, 2012.
U.S. Appl. No. 29/412,700, filed Oct. 23, 2012, Notice of Allowance.

(73) Assignees: **Pactiv LLC**, Lake Forest, IL (US); **Havi Global Solutions, LLC**, Downers Grove, IL (US)

* cited by examiner

(**) Term: **14 Years**

Primary Examiner — Thomas Johannes

(21) Appl. No.: **29/412,696**

(74) *Attorney, Agent, or Firm* — Baker Botts L.L.P.

(22) Filed: **Feb. 7, 2012**

(57) **CLAIM**

The ornamental design for a food container with lid, as shown and described.

(51) **LOC (9) Cl.** **09-03**

DESCRIPTION

(52) **U.S. Cl.**
USPC **D9/428**

(58) **Field of Classification Search**
USPC D9/424, 425, 428, 737, 761, 435; D7/360,
D7/545, 553.6; 206/501–509, 512; 220/575
See application file for complete search history.

FIG. 1 is a perspective view of a food container with lid of our design;
FIG. 2 is a front view thereof;
FIG. 3 is a right side view thereof;
FIG. 4 is a back view thereof;
FIG. 5 is a left side view thereof;
FIG. 6 is a top view thereof;
FIG. 7 is a bottom view thereof; and,
FIG. 8 is an exploded view thereof.

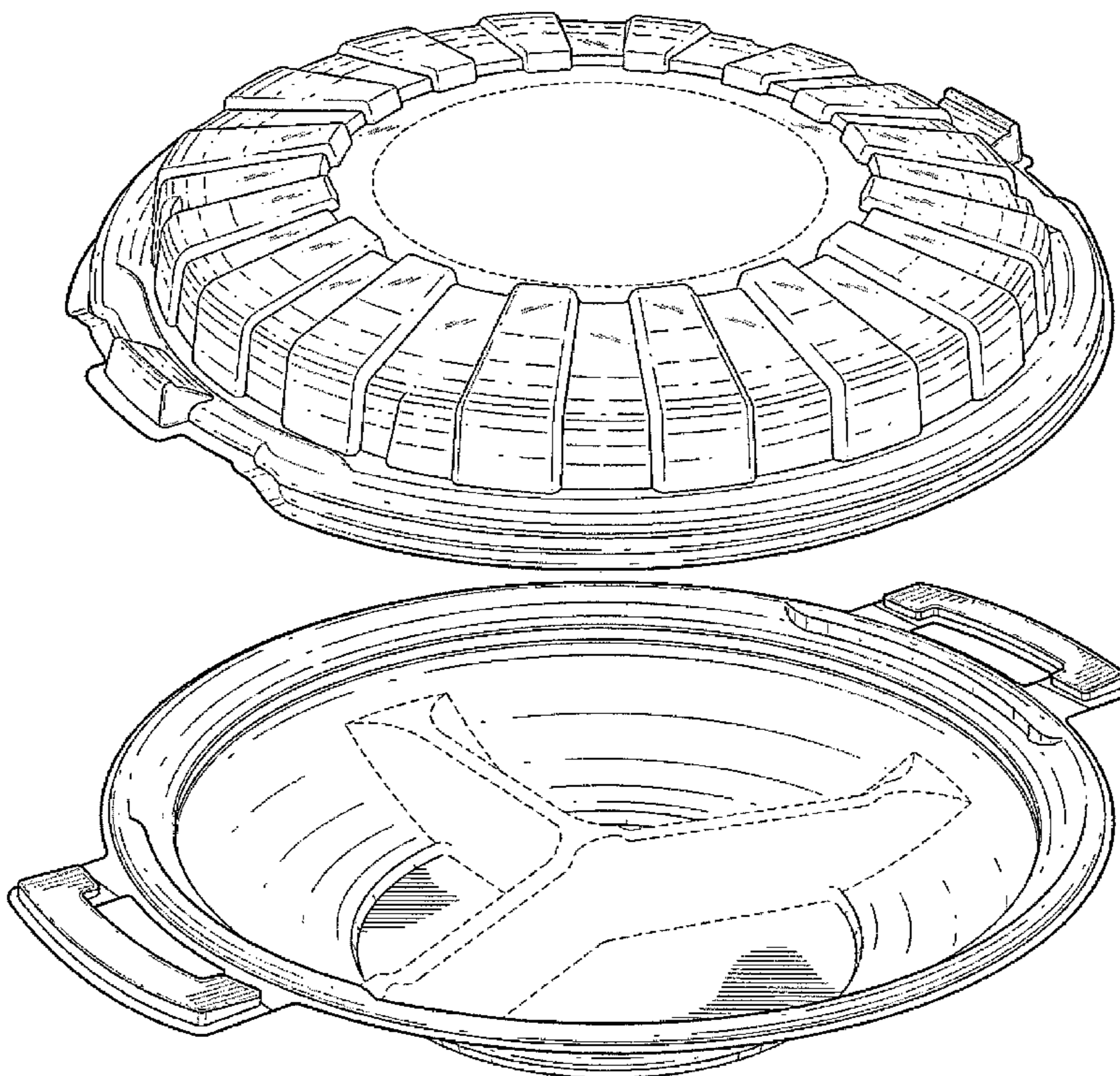
(56) **References Cited**

U.S. PATENT DOCUMENTS

D398,847 S * 9/1998 Wyslowsky et al. D9/425
D415,421 S * 10/1999 McCann D9/428
D451,018 S * 11/2001 Chen et al. D9/737
D483,999 S * 12/2003 Beachum et al. D7/553.6
D523,287 S * 6/2006 Hayes et al. D7/545
D552,425 S * 10/2007 Hayes et al. D7/585
7,337,943 B2 * 3/2008 Johns et al. 229/406

The broken line portion of the figure drawings is included to show unclaimed subject matter only and forms no part of the claimed design.

1 Claim, 8 Drawing Sheets



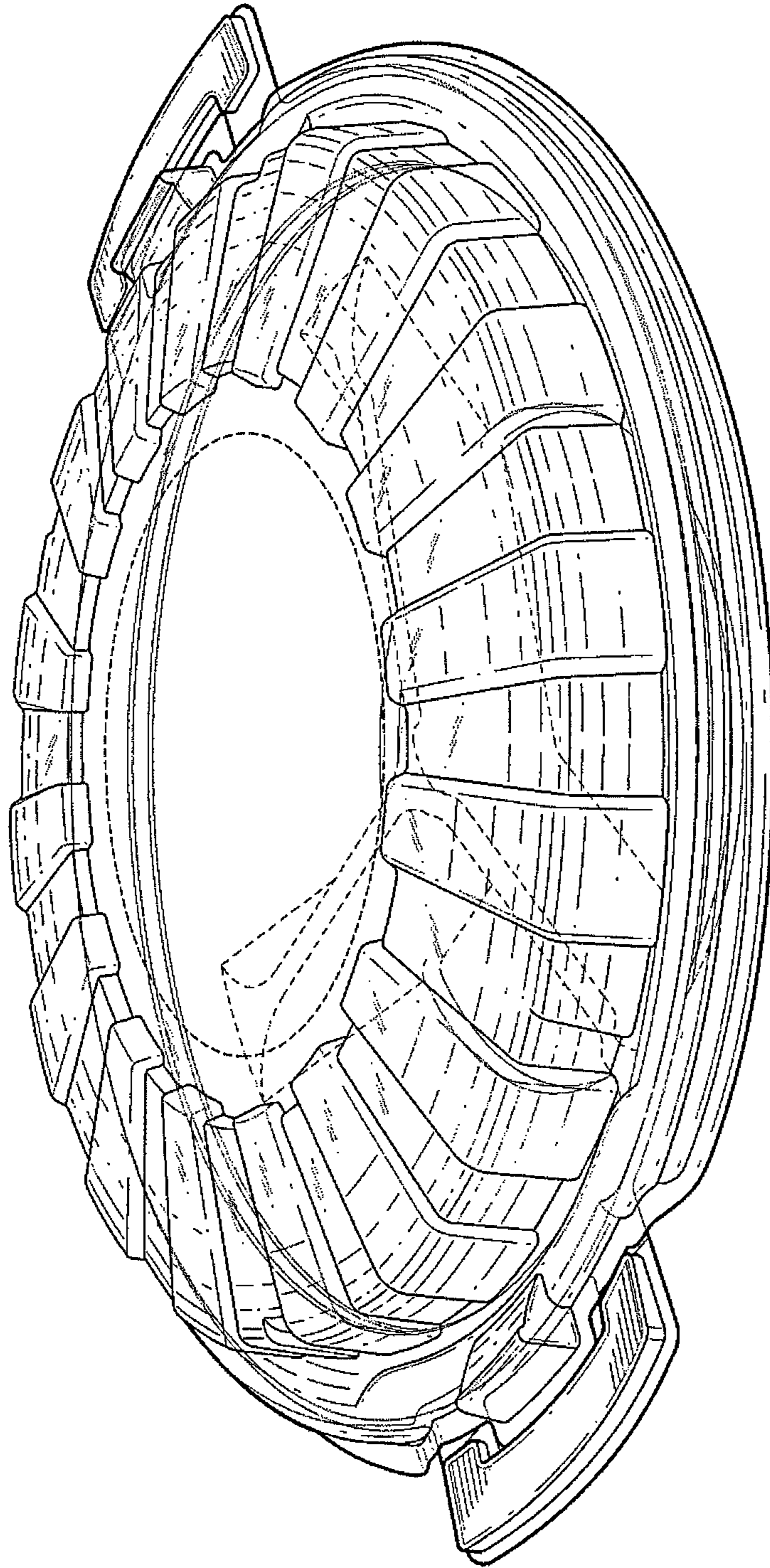


FIG. 1

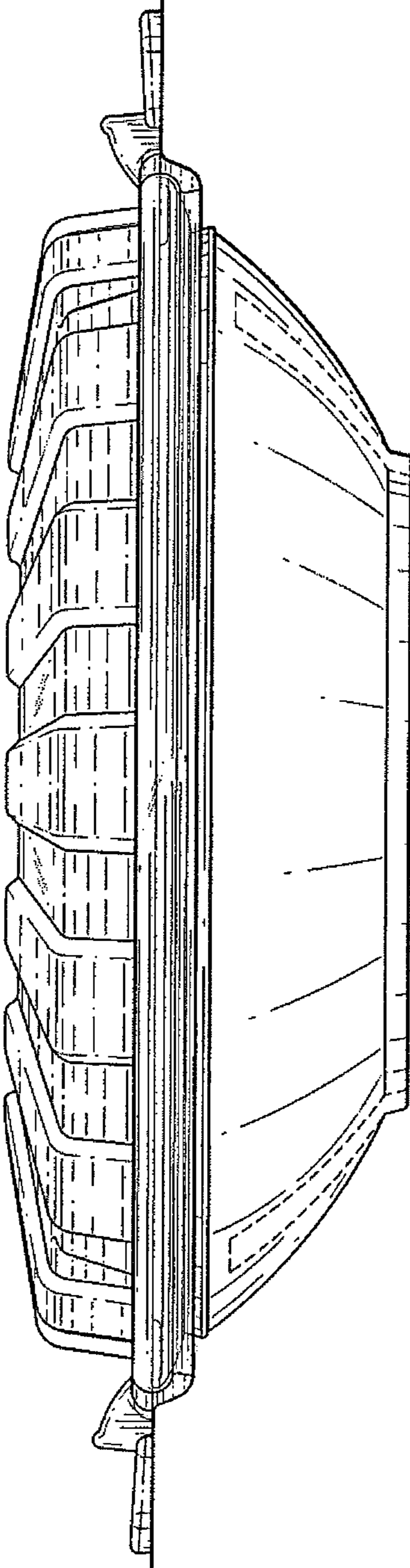


FIG. 2

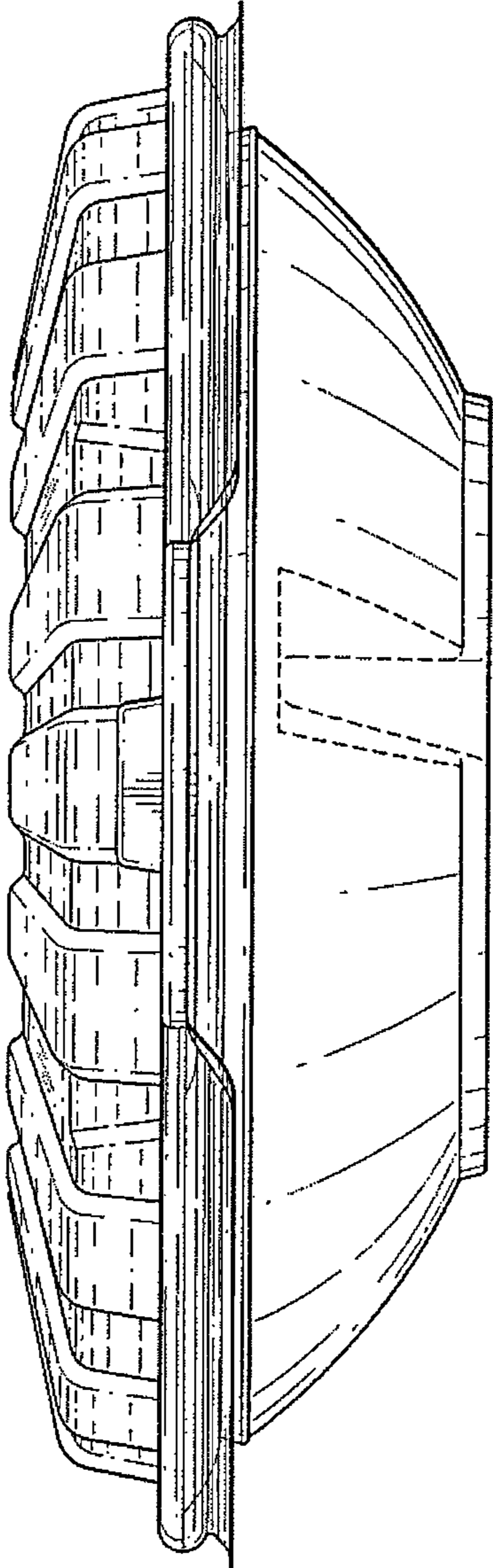


FIG. 3

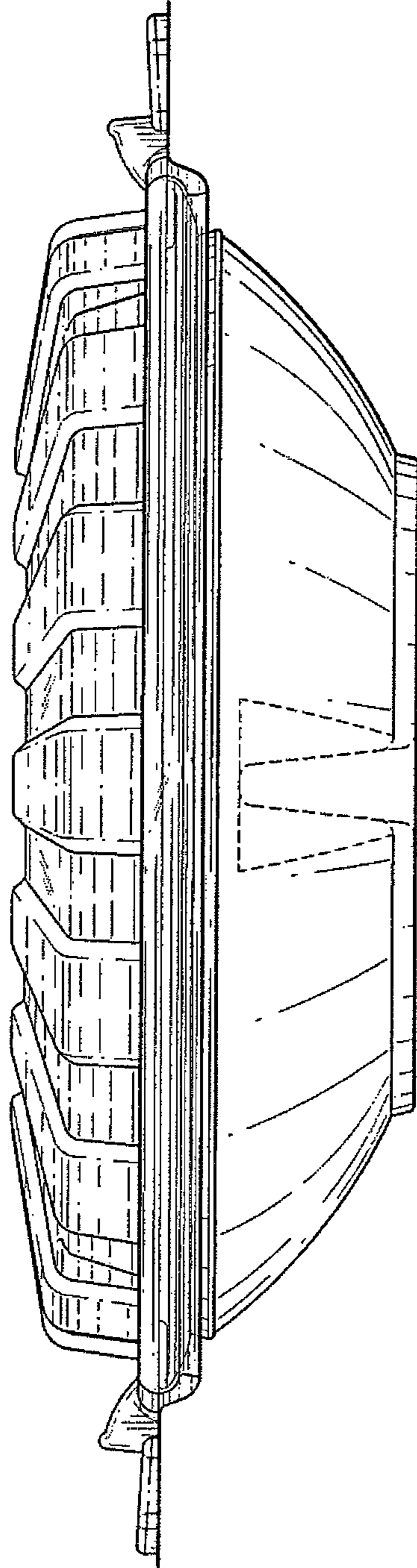


FIG. 4

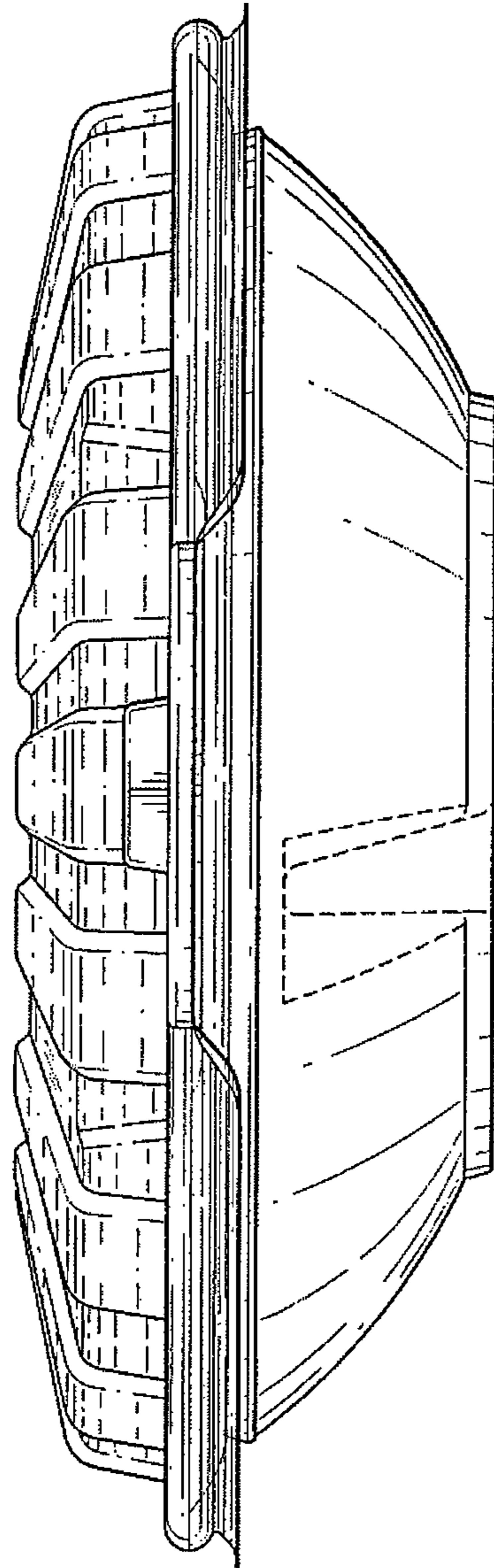


FIG. 5

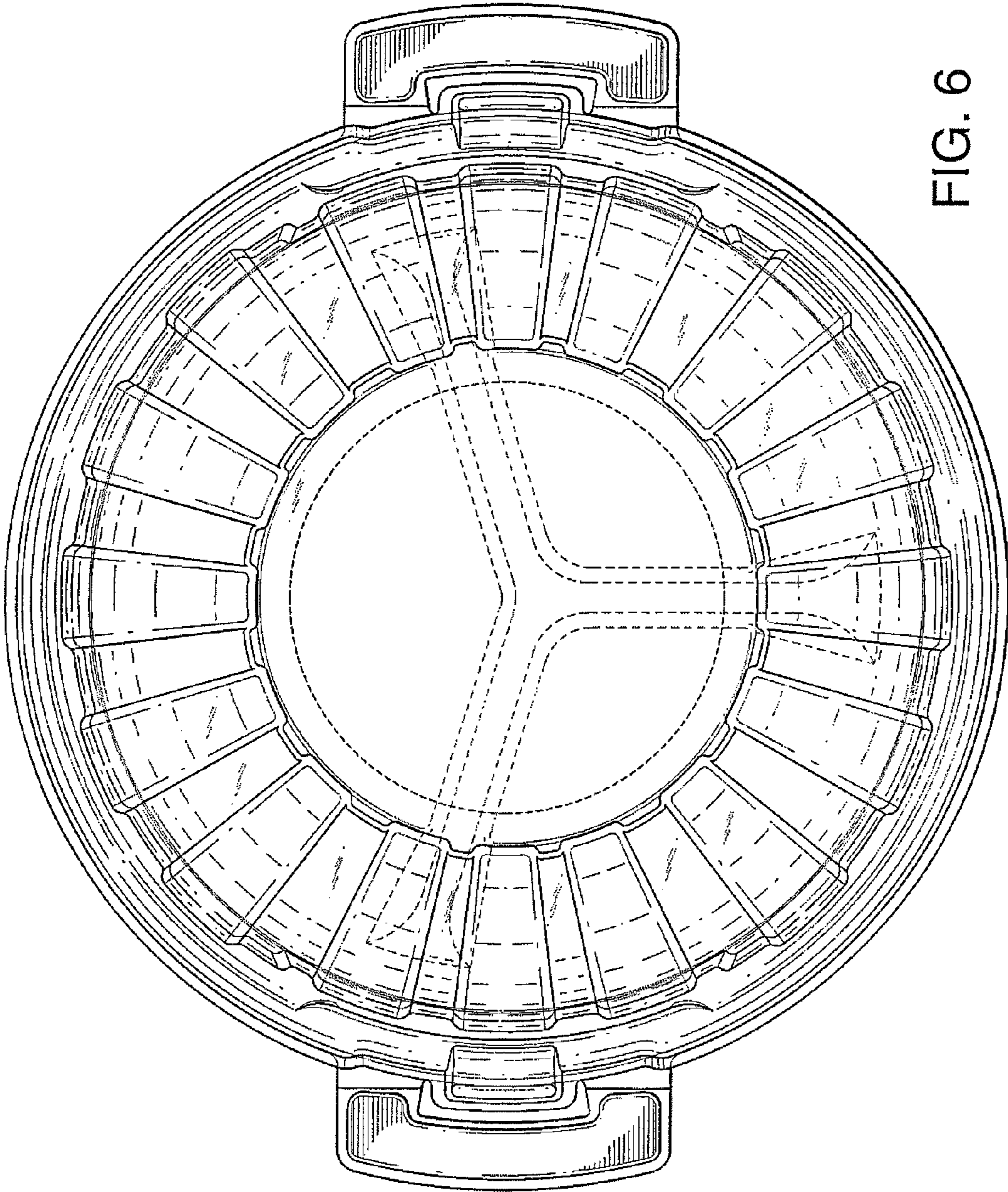


FIG. 6

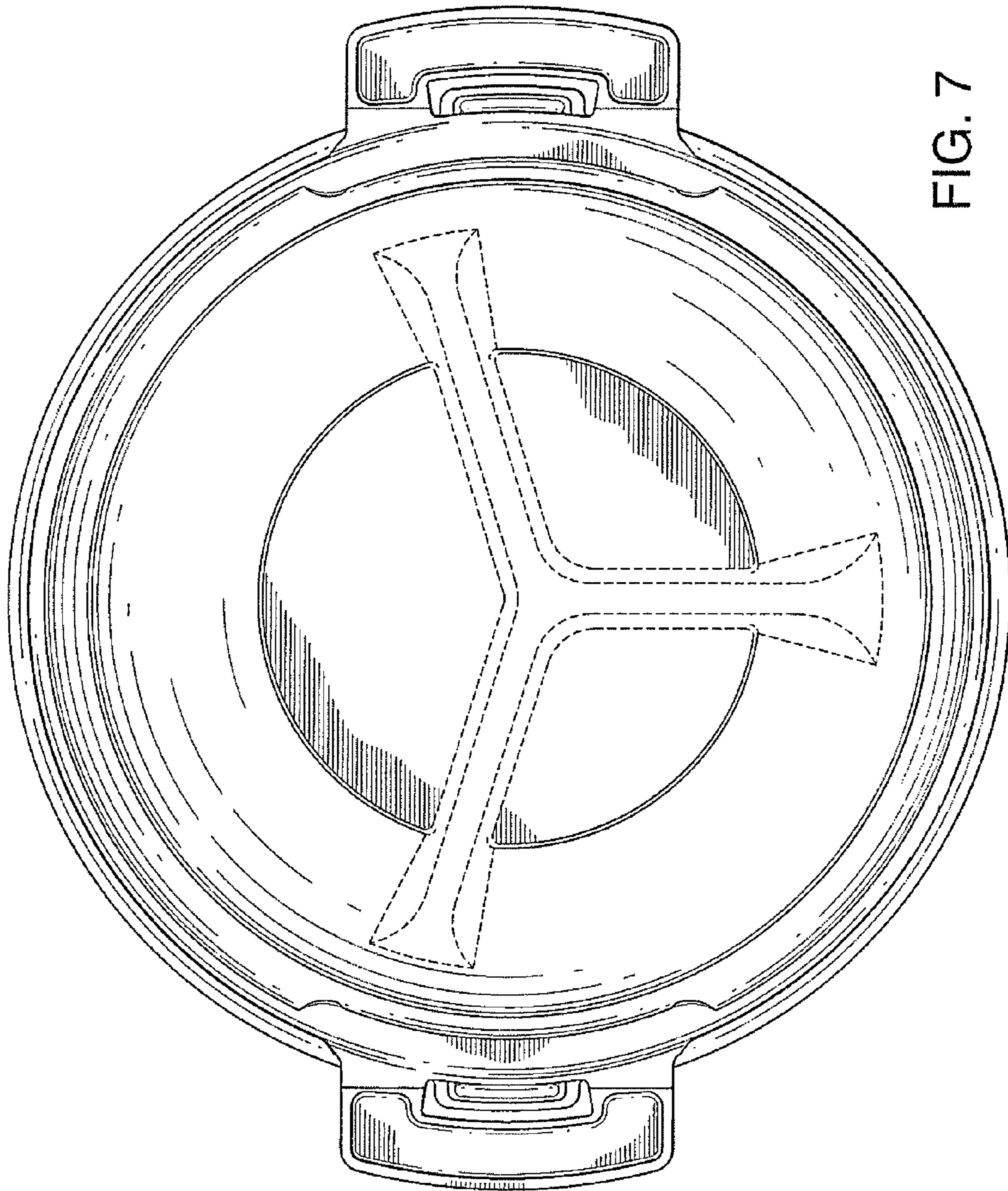


FIG. 7

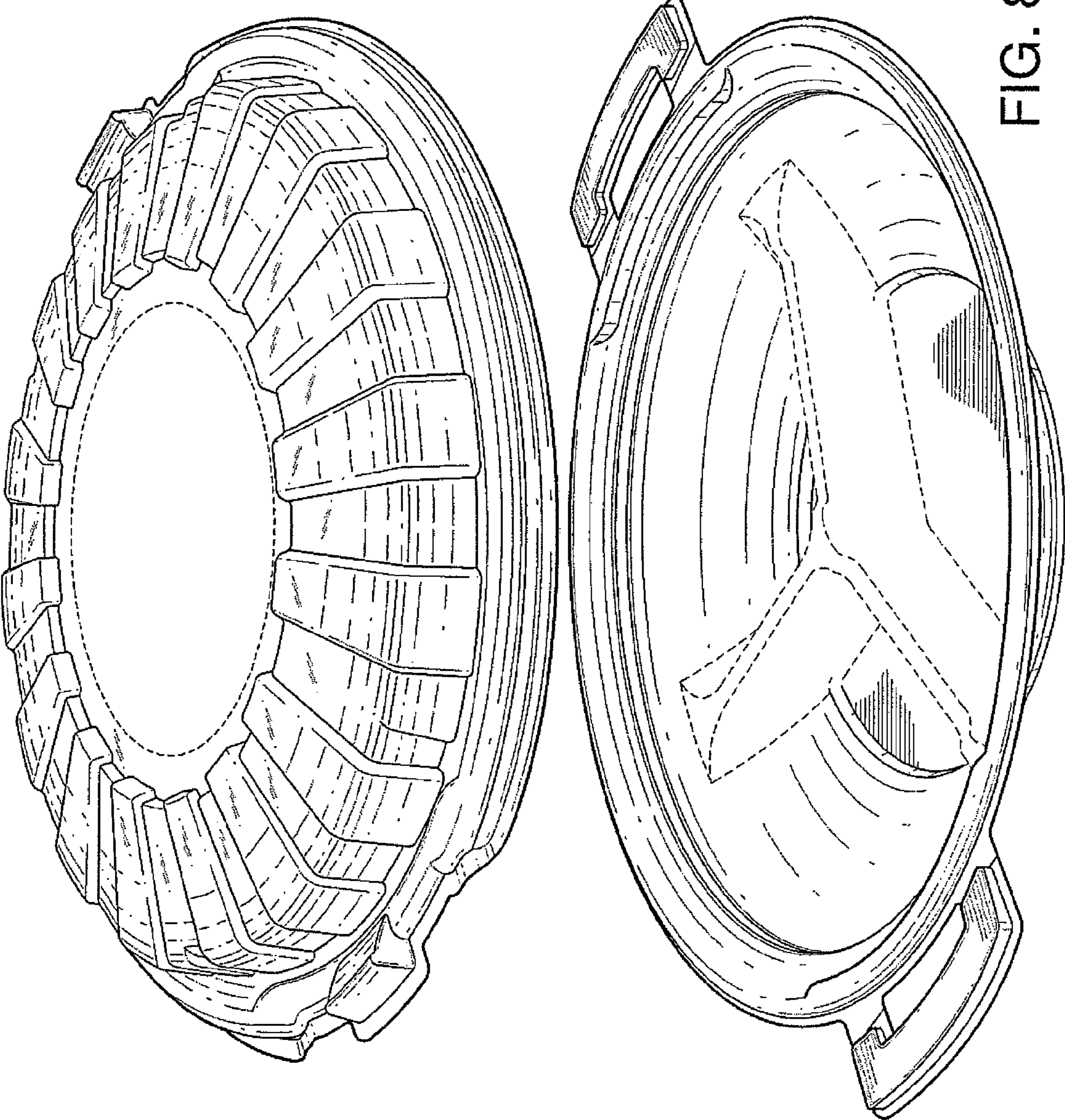


FIG. 8