



US00D686909S

(12) **United States Design Patent**  
**Frydlewski et al.**

(10) **Patent No.:** **US D686,909 S**  
(45) **Date of Patent:** **\*\* Jul. 30, 2013**

(54) **FASTENING DEVICE**

(75) Inventors: **Gaston Frydlewski**, Brooklyn, NY (US); **Maria Raquel Waingarten**, Brooklyn, NY (US); **Brian Le Gette**, Baltimore, MD (US); **David Reeb**, Sykesville, MD (US); **Alan Tipp**, Bennington, NE (US)

(73) Assignee: **Hickies, Inc.**, Brooklyn, NY (US)

(\*\*) Term: **14 Years**

(21) Appl. No.: **29/412,658**

(22) Filed: **Feb. 6, 2012**

(51) **LOC (9) Cl.** ..... **08-08**

(52) **U.S. Cl.**  
USPC ..... **D8/394**; D8/396; D2/978

(58) **Field of Classification Search**  
USPC ..... D8/356, 383, 394–396; 24/16 PB, 24/17 AP, 30.5 P, 30.5 S, 300–302, 339, DIG. 16, 713, 713.1; 248/58, 60, 74.3, 71; 70/16; 128/878; D12/408; D2/978  
See application file for complete search history.

(56) **References Cited**

U.S. PATENT DOCUMENTS

565,884	A *	8/1896	Emmons	132/275
830,902	A *	9/1906	Keller	24/714.4
1,678,241	A *	7/1928	Benz	36/50.1
1,685,489	A *	9/1928	Jansen	24/713.1
D89,286	S *	2/1933	Rosenthal	D11/231
1,945,932	A *	2/1934	Caley	132/247
D177,723	S *	5/1956	Doherty	D2/978
3,193,950	A	7/1965	Liou	
3,731,350	A	5/1973	Diebold	
4,112,988	A *	9/1978	Nelson	81/456
4,486,965	A	12/1984	Friton	

(Continued)

OTHER PUBLICATIONS

International Search Report and Written Opinion for International Patent Application No. PCT/US12/41713.

*Primary Examiner* — John Windmuller

(74) *Attorney, Agent, or Firm* — Andrew F. Young, Esq.; Lackenbach Siegel, LLP

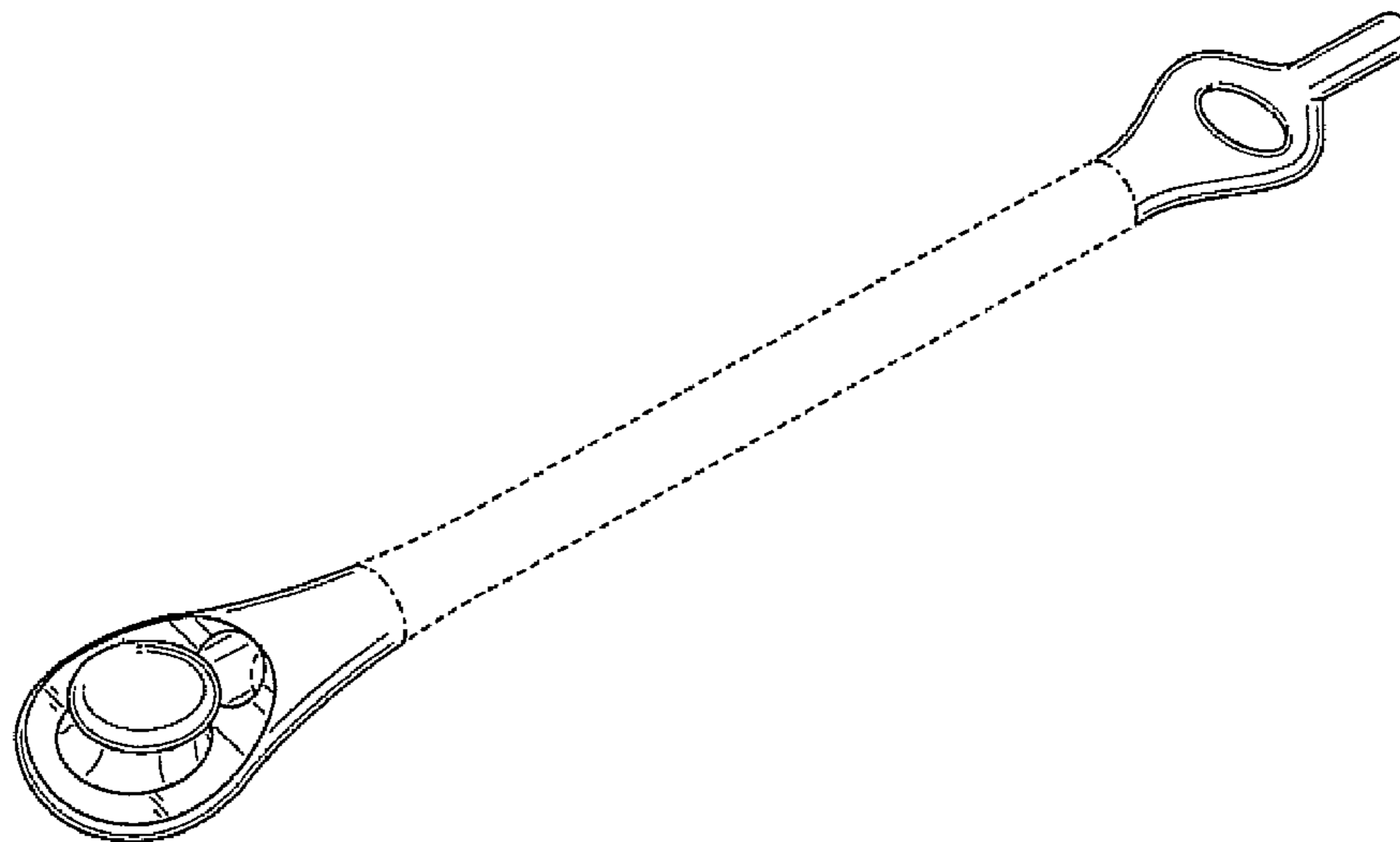
(57) **CLAIM**

The ornamental design for a fastening device, as shown and described.

**DESCRIPTION**

FIG. 1 a front perspective view of the design for a fastening device;  
FIG. 2 is a top view thereof;  
FIG. 3 is a bottom view thereof;  
FIG. 4 is a left side view thereof;  
FIG. 5 is a right side view thereof;  
FIG. 6 is a first end view thereof;  
FIG. 7 is a second end view thereof, the second end view being opposite to the first end view;  
FIG. 8 is a front perspective view of the design for a fastening device according to FIGS. 1-7 having first and second ends thereof coupled together;  
FIG. 9 is a top view of the fastening device as shown in FIG. 8;  
FIG. 10 is a bottom view of the fastening device as shown in FIG. 8;  
FIG. 11 is a right side view of the fastening device as shown in FIG. 8;  
FIG. 12 is a left side view of the fastening device as shown in FIG. 8;  
FIG. 13 is an end view of the fastening device as shown in FIG. 8; and,  
FIG. 14 is an end view opposite to the end view of FIG. 13.  
The broken lines in the figures represent areas of the fastening device that form no part of the claimed design. The dot-dash lines in the figures represent boundaries between claimed and unclaimed areas.

**1 Claim, 9 Drawing Sheets**



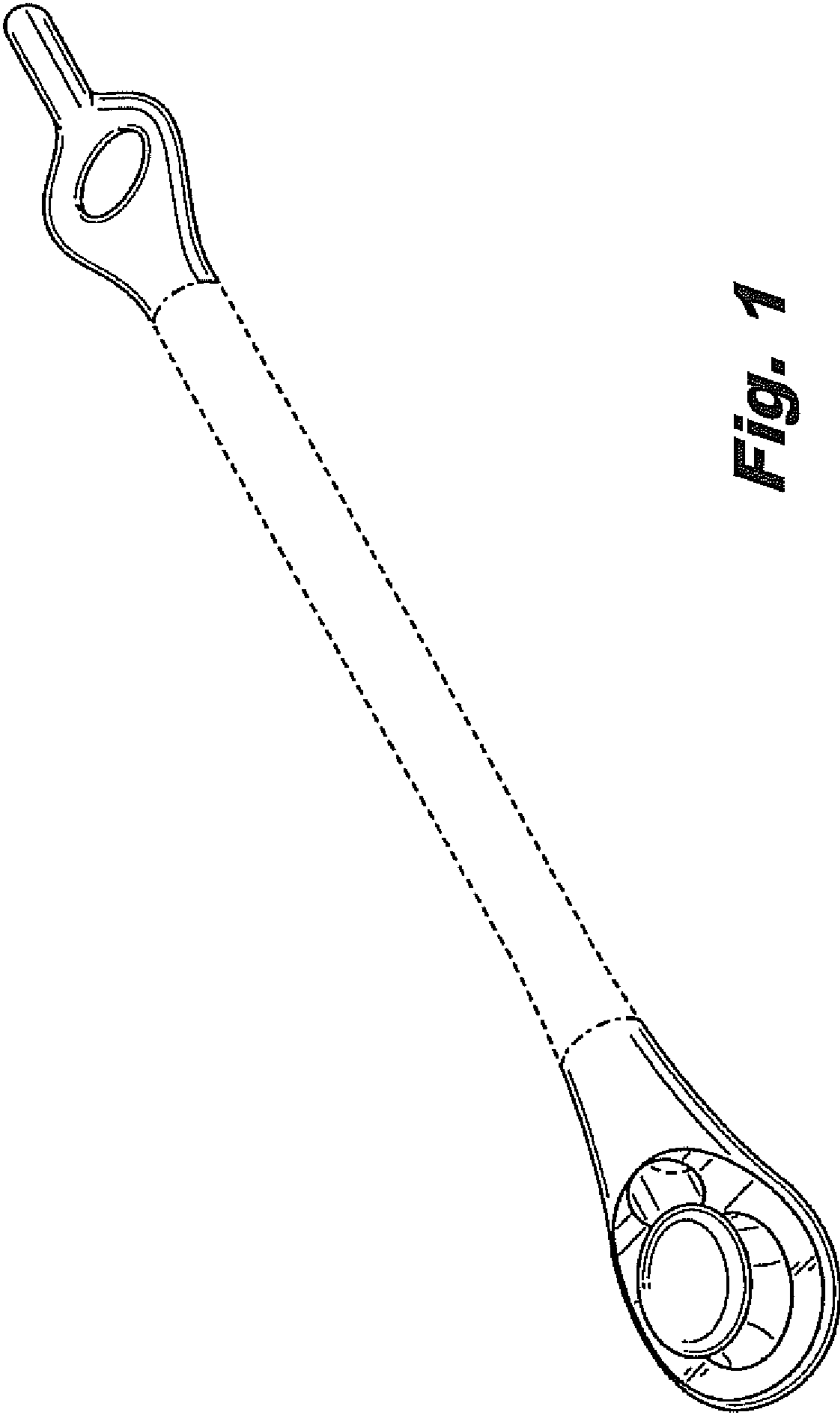
# US D686,909 S

Page 2

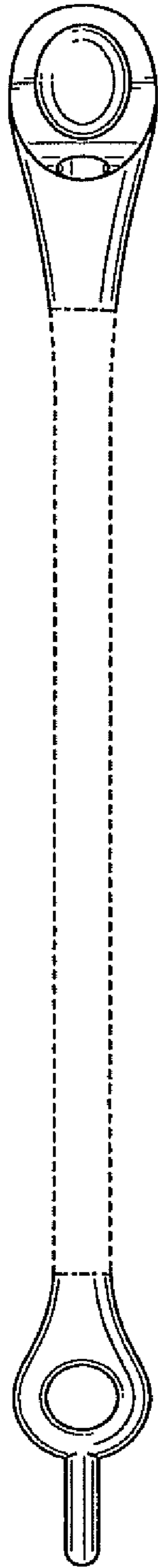
## U.S. PATENT DOCUMENTS

5,214,826	A	6/1993	Fortune				
5,239,732	A *	8/1993	Steven	24/575.1			
5,388,315	A	2/1995	Jones				
5,537,763	A	7/1996	Donnadieu et al.				
5,639,244	A *	6/1997	Stricklin	434/260			
5,692,276	A *	12/1997	Paxton	24/713.6			
6,490,767	B2 *	12/2002	Haiduk	24/298			
6,701,589	B1	3/2004	Kliewer				
D503,034	S *	3/2005	Choi	D2/978			
D543,833	S *	6/2007	Folk et al.	D8/349			
7,506,420	B2	3/2009	Frydlewski				
D614,855	S *	5/2010	Inohara et al.	D2/978			
D615,385	S *	5/2010	Arendt	D8/349			
D641,708	S *	7/2011	Yamauchi	D13/154			
D672,230	S *	12/2012	Laverack et al.	D8/396			
2003/0140459	A1 *	7/2003	Strange et al.	24/16 PB			
2004/0139583	A1 *	7/2004	Wendle	24/16 PB			
2005/0251967	A1 *	11/2005	McNeill	24/16 PB			
2006/0168785	A1	8/2006	Kraft et al.				
2009/0242439	A1	10/2009	Talley				
2010/0293767	A1	11/2010	Talley				
2010/0325849	A1	12/2010	Clayton				

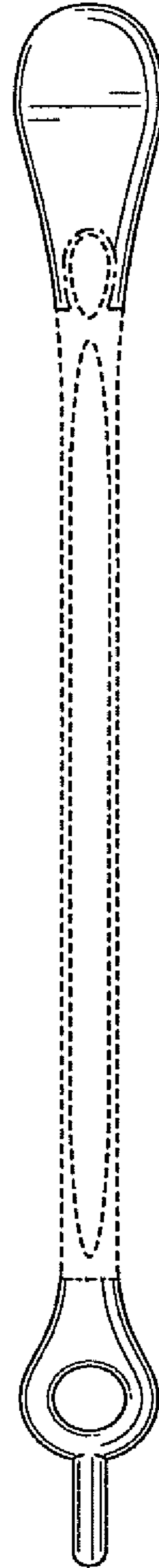
\* cited by examiner



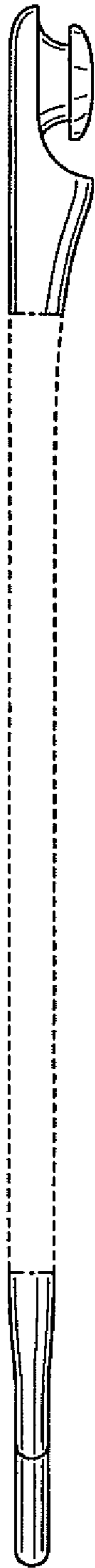
**Fig. 1**



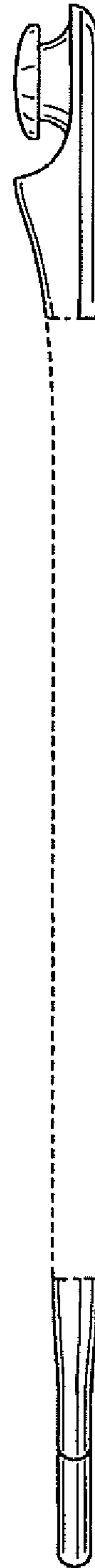
**Fig. 2**



**Fig. 3**



***Fig. 4***



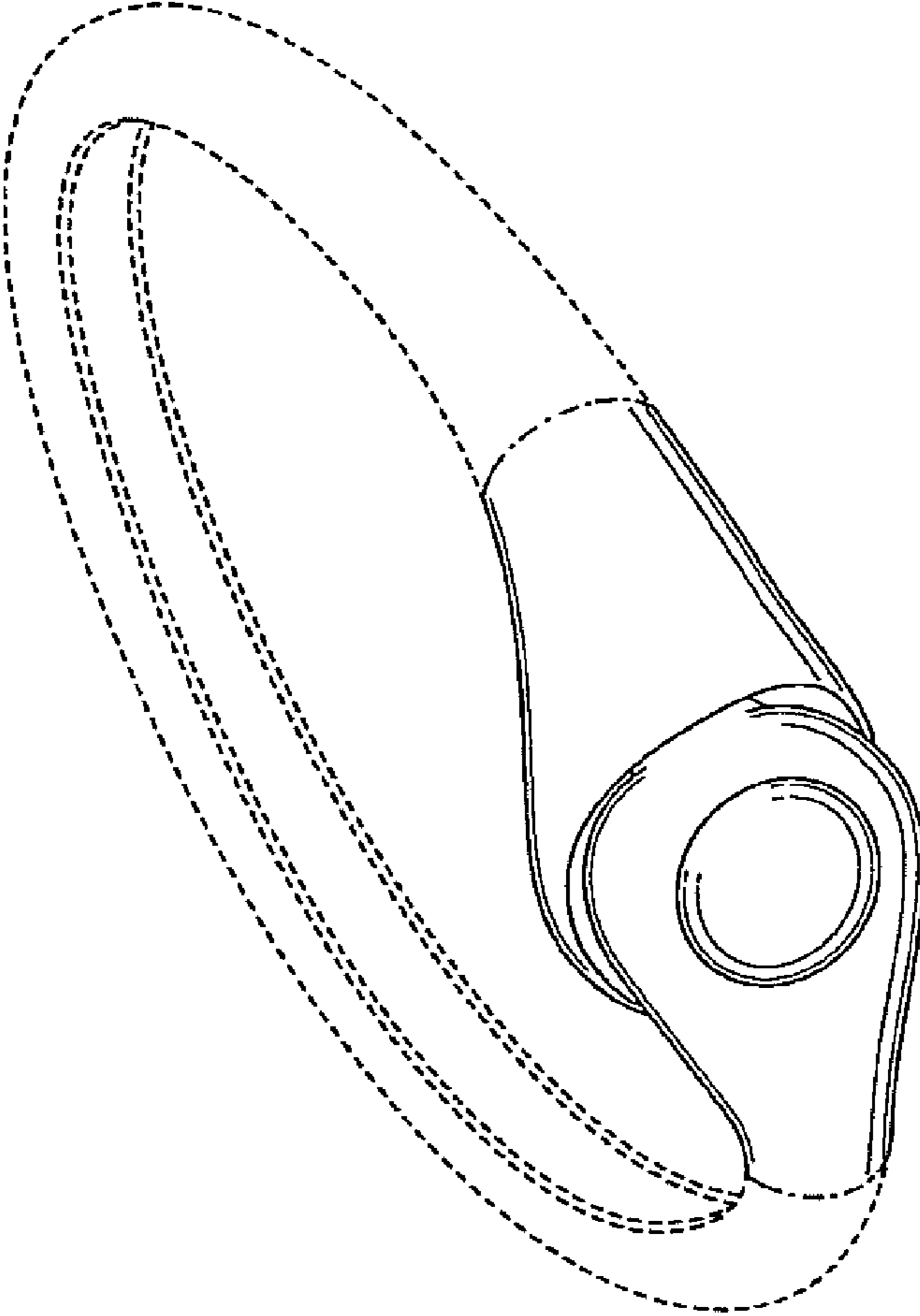
***Fig. 5***



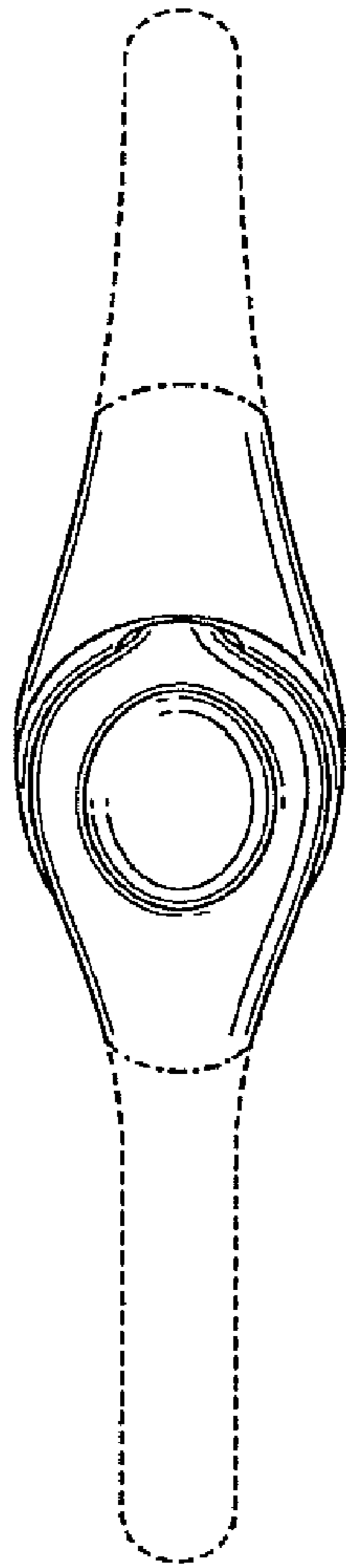
***Fig. 6***



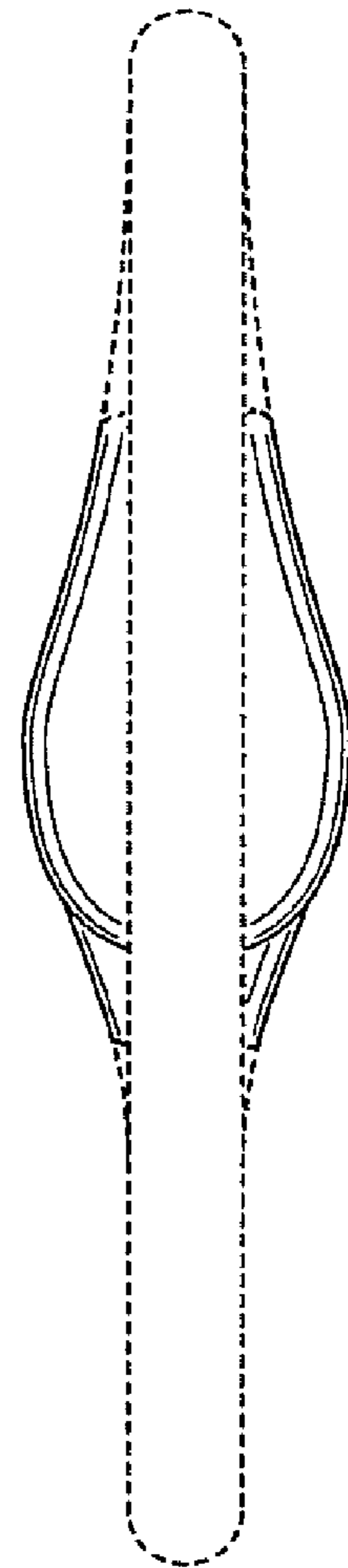
***Fig. 7***



***Fig. 8***

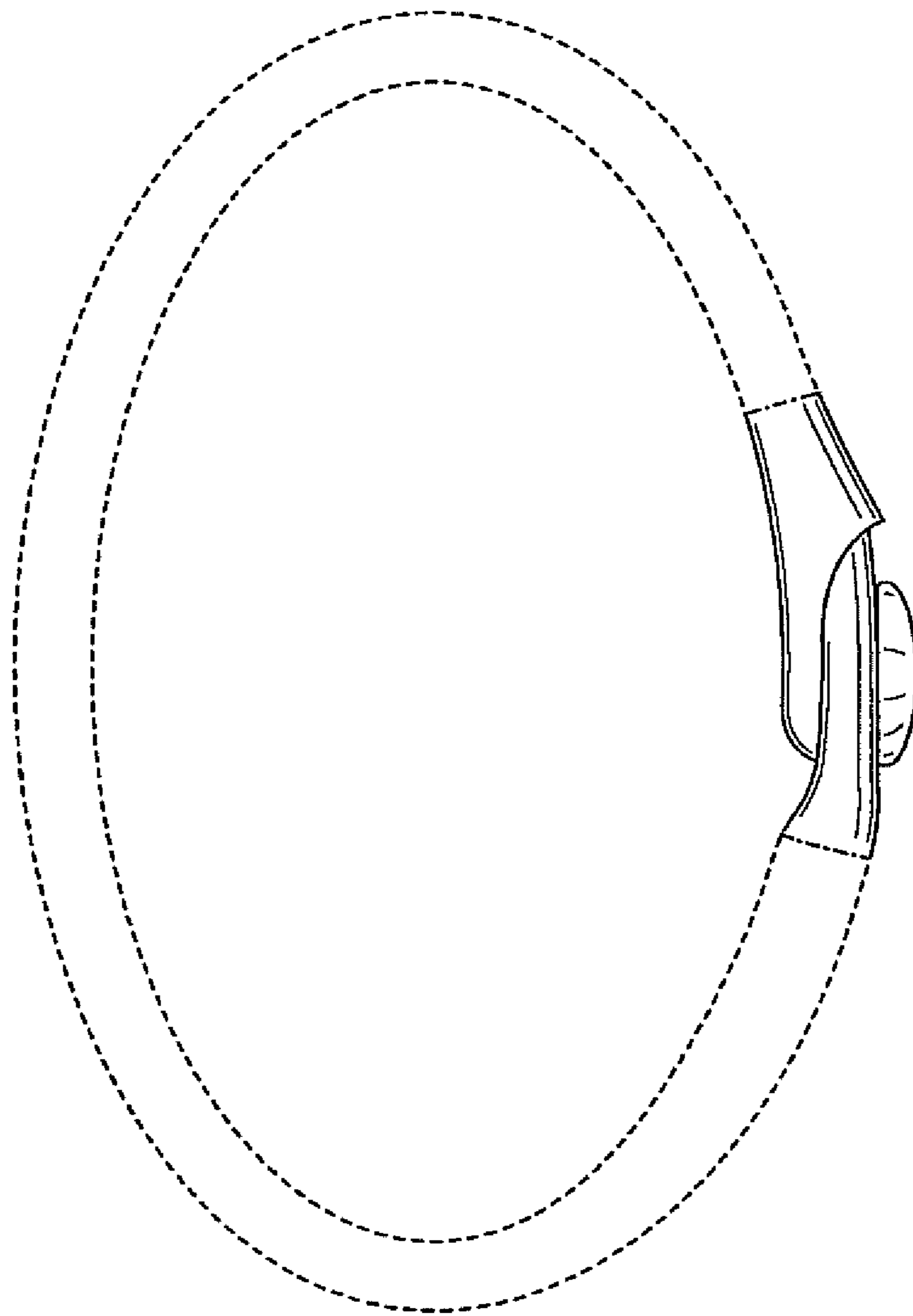


**Fig. 9**

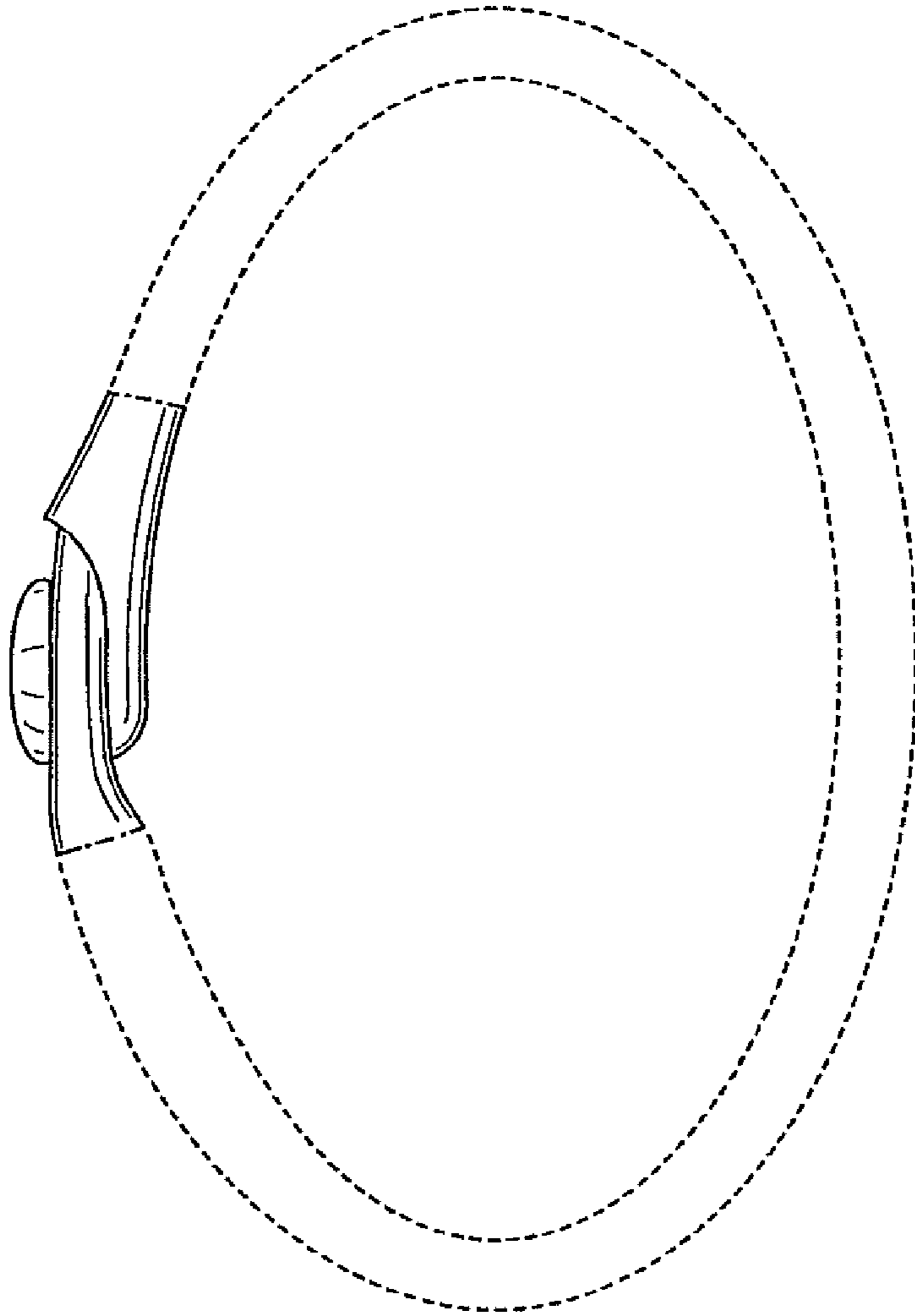


**Fig. 10**

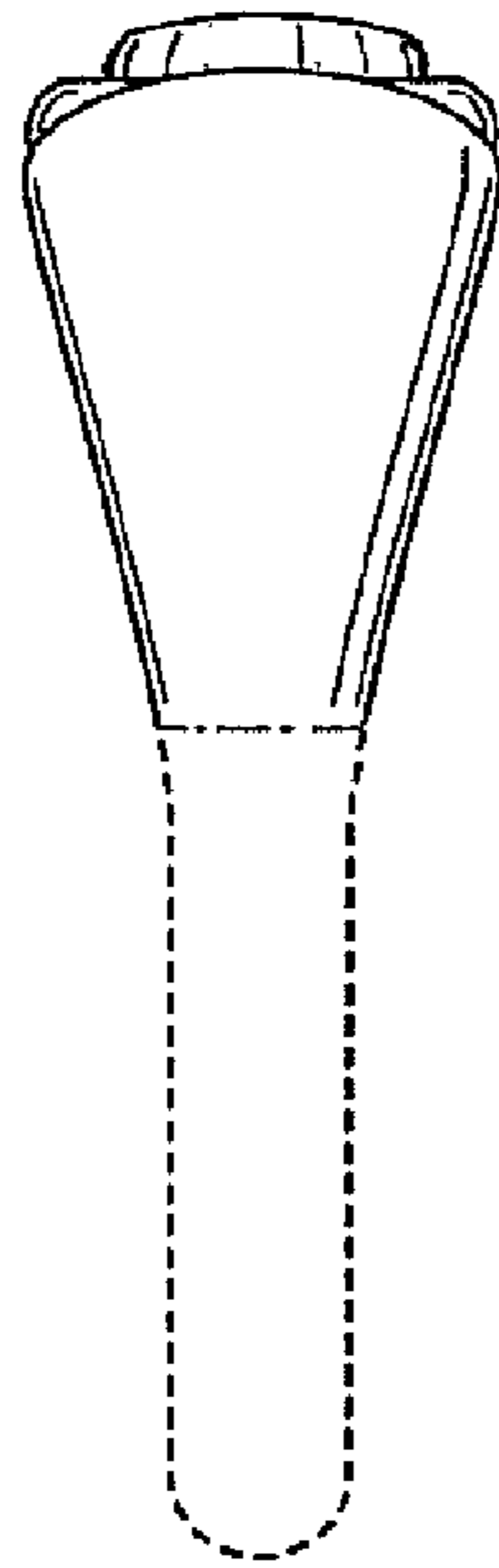




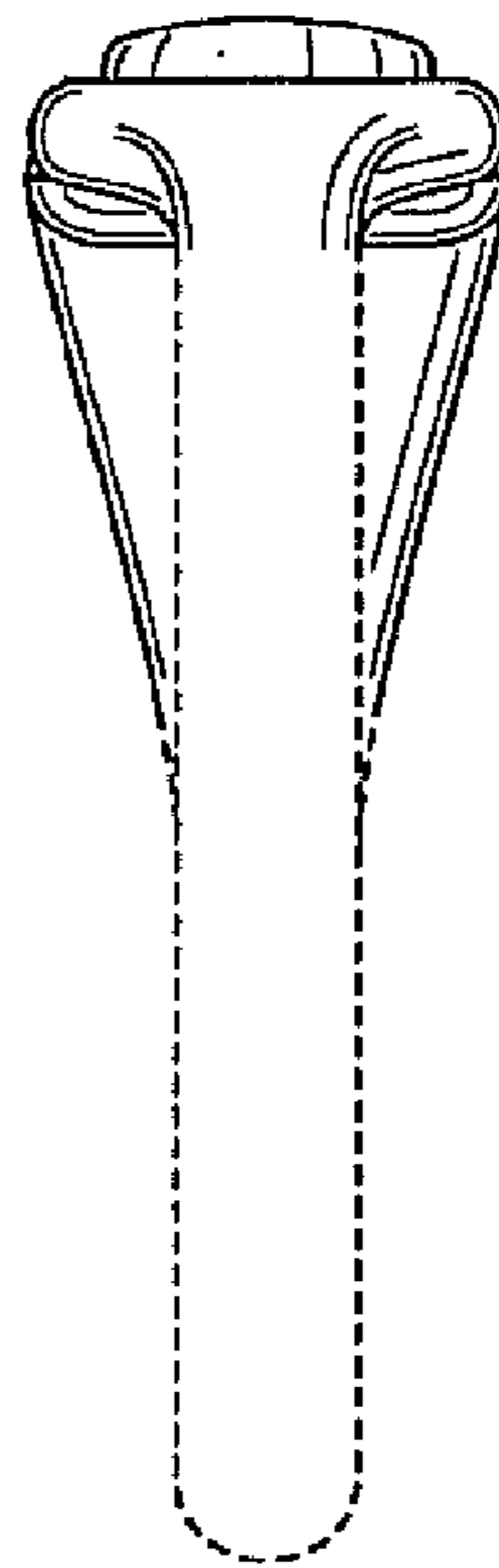
***Fig. 11***



***Fig. 12***



***Fig. 13***



***Fig. 14***