



US00D686903S

(12) **United States Design Patent**
Guichot

(10) **Patent No.:** **US D686,903 S**
(45) **Date of Patent:** **** Jul. 30, 2013**

(54) **LOCK FOR A HANDBAG**

D576,017 S * 9/2008 Hatton D8/331
D579,755 S * 11/2008 Burton D8/331
D614,015 S * 4/2010 Friedrich D8/331

(75) Inventor: **Isabelle Guichot**, Paris (FR)

(73) Assignee: **Balenciaga**, Paris (FR)

(**) Term: **14 Years**

(21) Appl. No.: **29/423,110**

(22) Filed: **May 29, 2012**

(30) **Foreign Application Priority Data**

Nov. 29, 2011 (EM) 001954645-0001
Mar. 5, 2012 (EM) 002003269-0001

(51) **LOC (9) Cl.** **08-07**

(52) **U.S. Cl.**
USPC **D8/331**

(58) **Field of Classification Search**
USPC D8/330, 331, 341, 343-346, 349; 70/288,
70/306, 312, 316, 69-72; 292/DIG. 26, DIG.
42, DIG. 48, DIG. 49
See application file for complete search history.

(56) **References Cited**

U.S. PATENT DOCUMENTS

2,131,435 A * 9/1938 Horwitz et al. 292/228
2,453,021 A * 11/1948 Konelsky 292/194
3,030,137 A * 4/1962 Tomkinson et al. 292/113
3,350,902 A * 11/1967 Chance 70/74
4,719,777 A * 1/1988 Hwang 70/312
4,890,869 A * 1/1990 Langkamp, Jr. 292/113
D361,499 S * 8/1995 Gisiger D8/331
D548,565 S * 8/2007 Vickers D8/331
D570,193 S * 6/2008 Schlatter D8/331

OTHER PUBLICATIONS

U.S. Appl. No. 29/423,092, filed May 29, 2012, First Named Inventor: Isabelle Guichot.

* cited by examiner

Primary Examiner — Prabhakar Deshmukh

(74) *Attorney, Agent, or Firm* — Donald J. Ranft; Collen IP

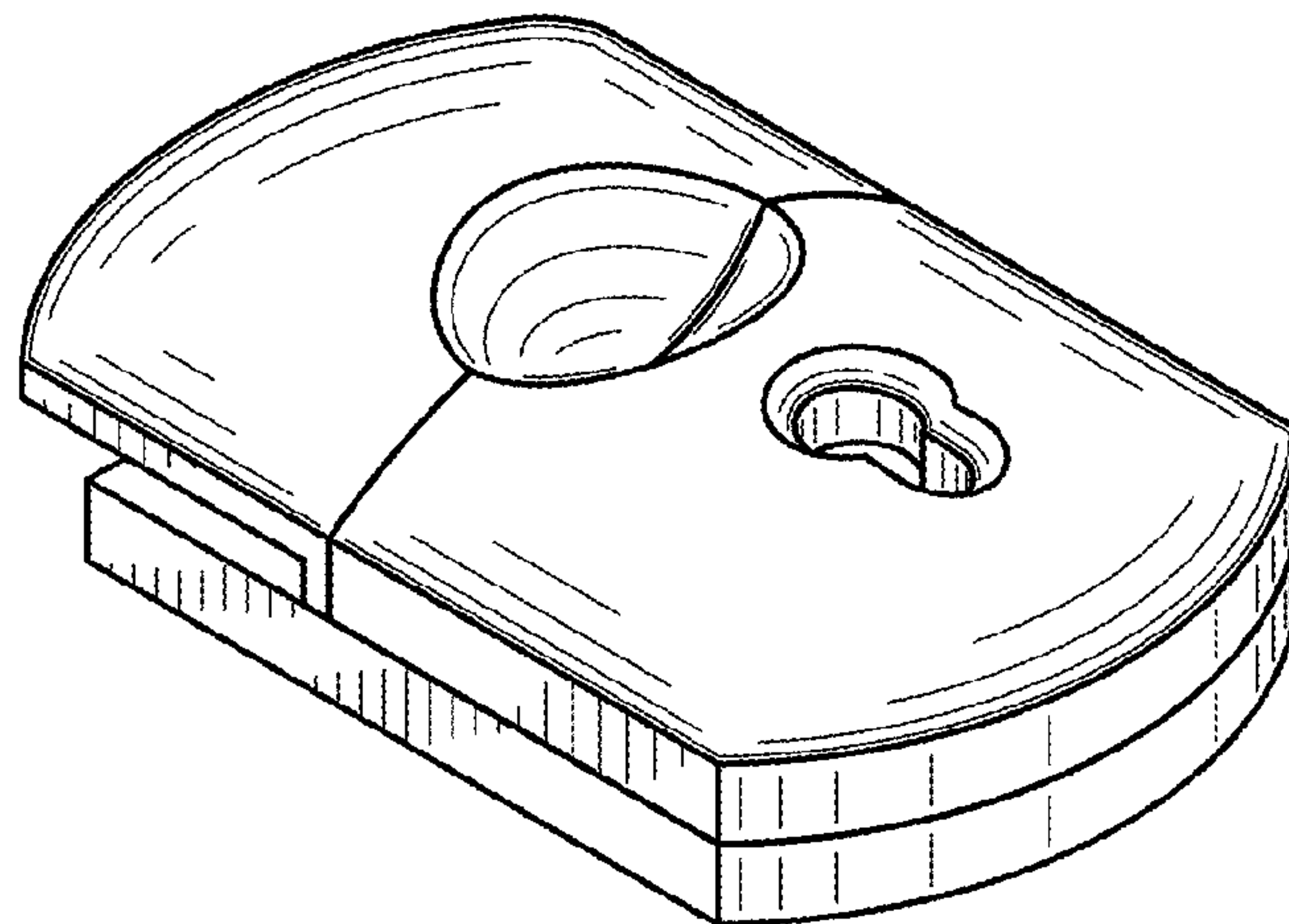
(57) **CLAIM**

The ornamental design for a lock for a handbag, as shown and described.

DESCRIPTION

FIG. 1 is a front left perspective view of a lock for a handbag showing our new design;
FIG. 2 is a front right perspective view thereof;
FIG. 3 is a front view thereof;
FIG. 4 is a rear view thereof;
FIG. 5 is a top view thereof;
FIG. 6 is bottom view thereof;
FIG. 7 is a left side view thereof;
FIG. 8 is a front top left perspective view with lock pieces separated thereof;
FIG. 9 is a rear bottom perspective view thereof;
FIG. 10 is a front view with lock pieces separated thereof;
FIG. 11 is a rear view with lock pieces separated thereof;
FIG. 12 is a top view thereof;
FIG. 13 is a bottom view thereof; and,
FIG. 14 is a left side with lock pieces separated thereof.

1 Claim, 6 Drawing Sheets



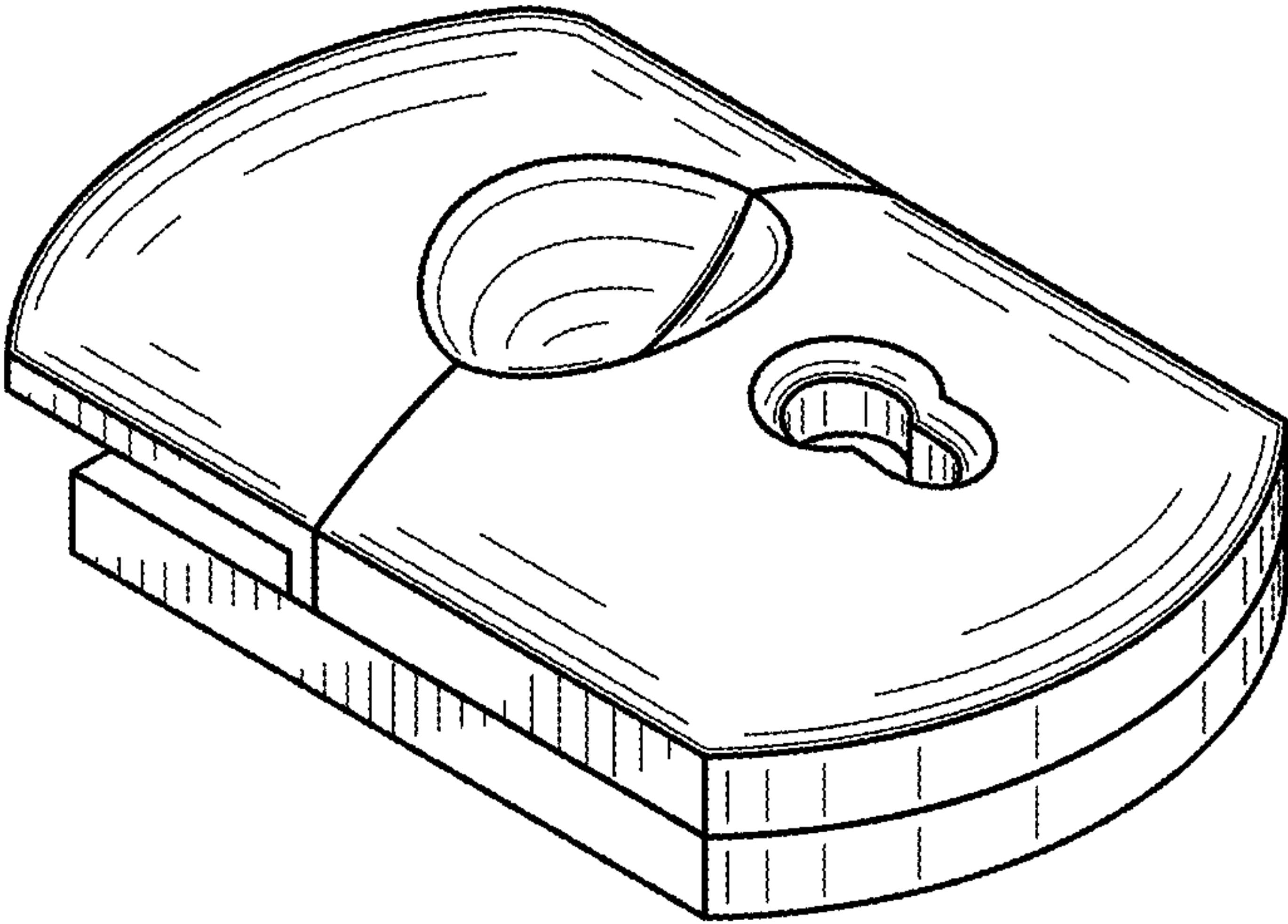


FIG. 1

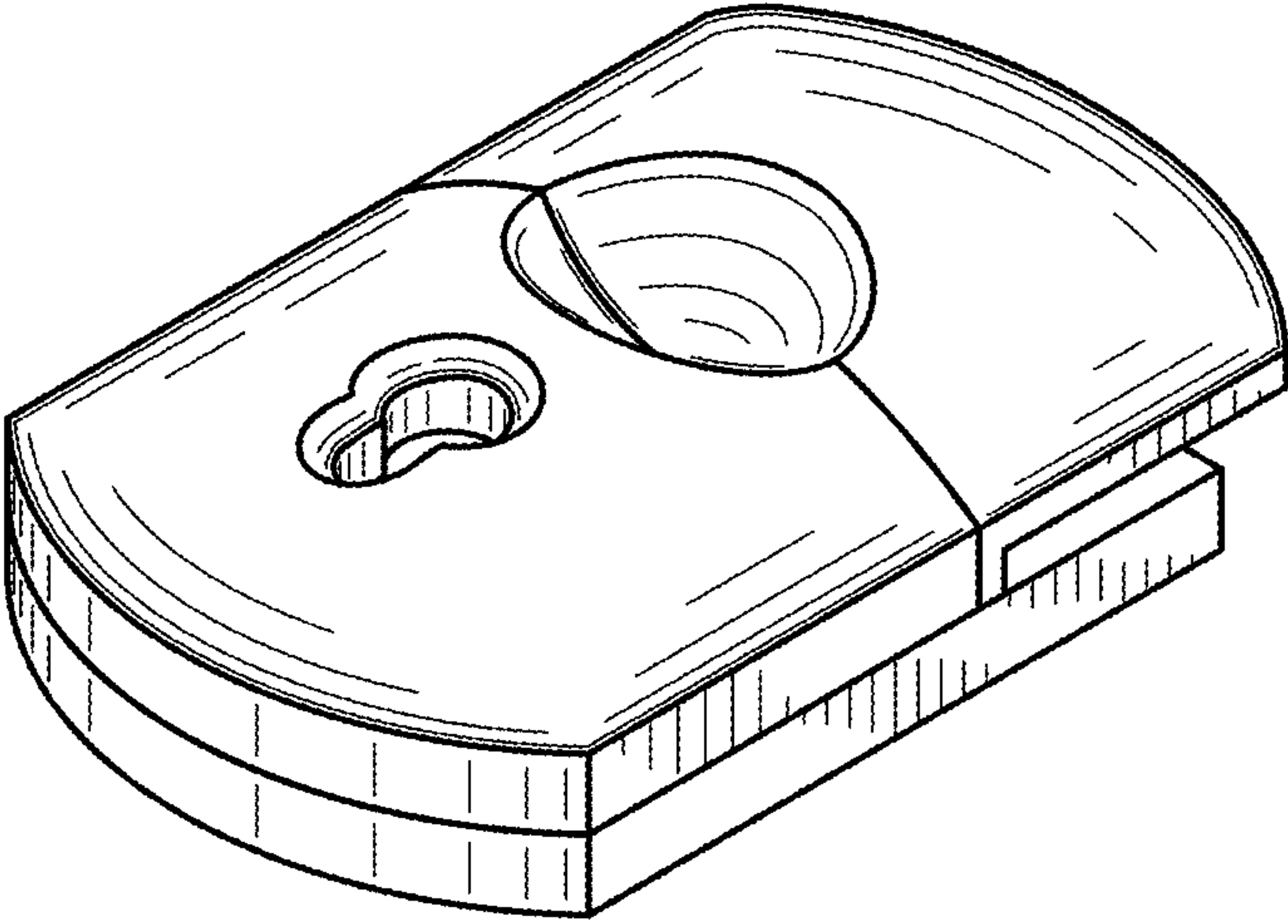


FIG. 2

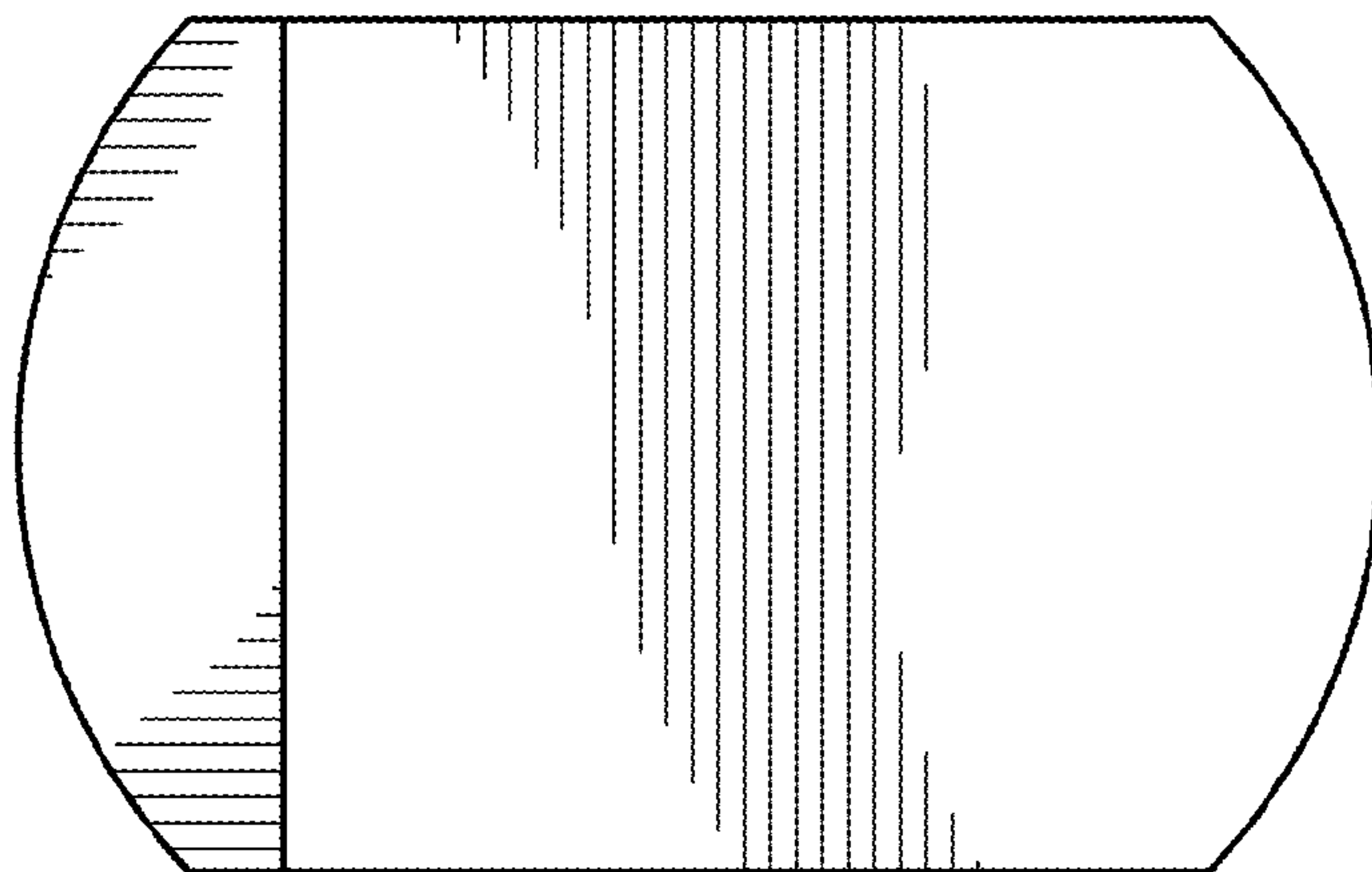


FIG. 4

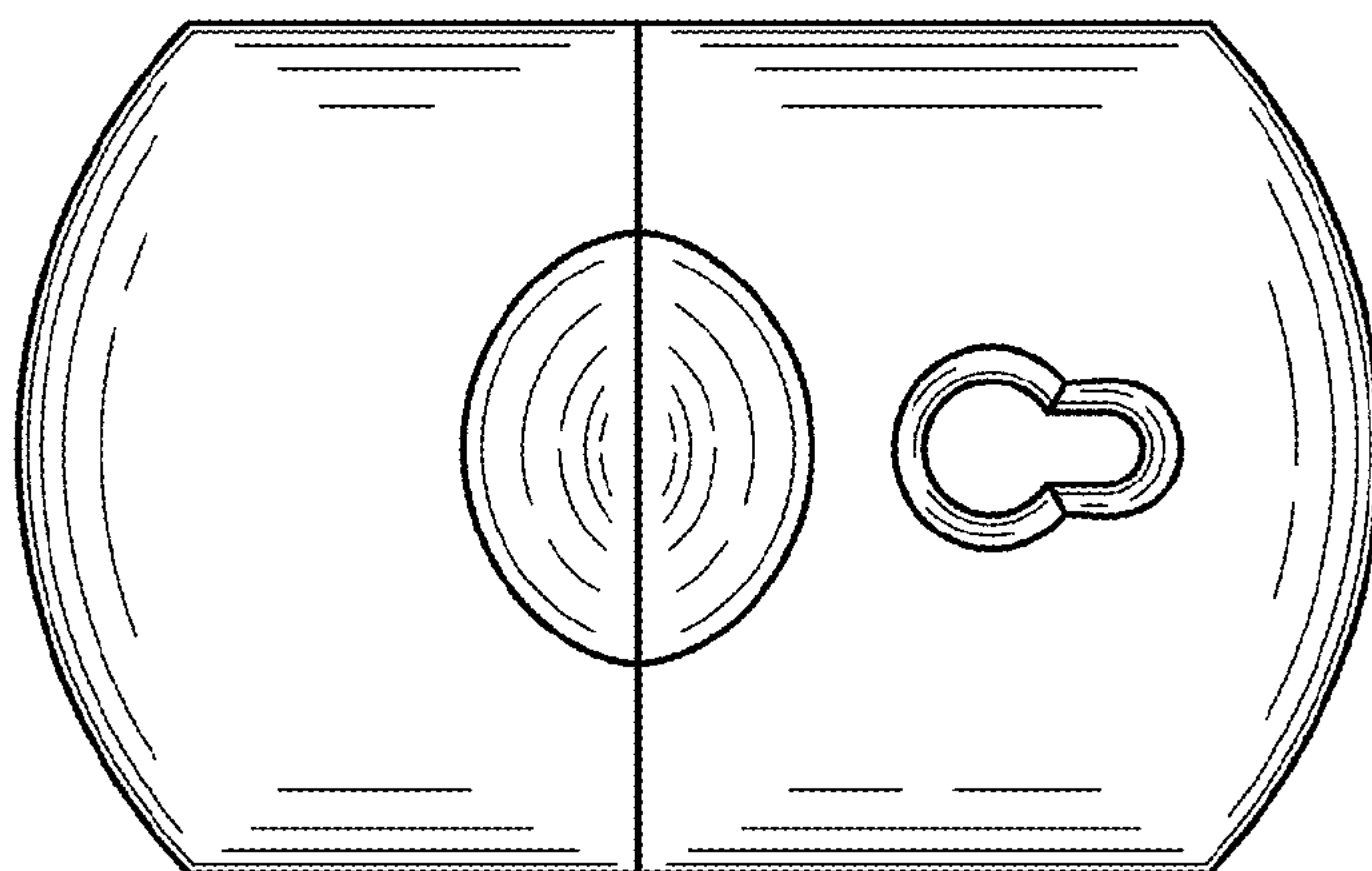


FIG. 3

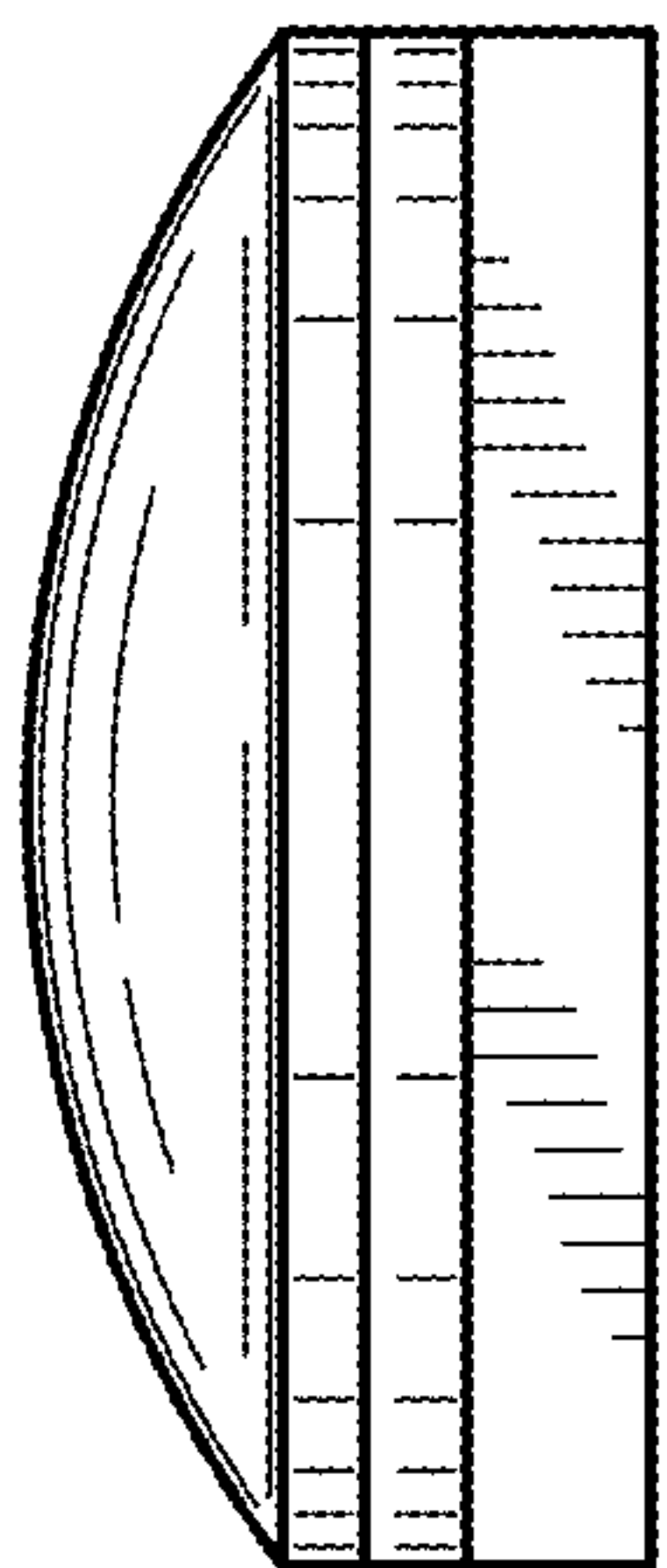


FIG. 5

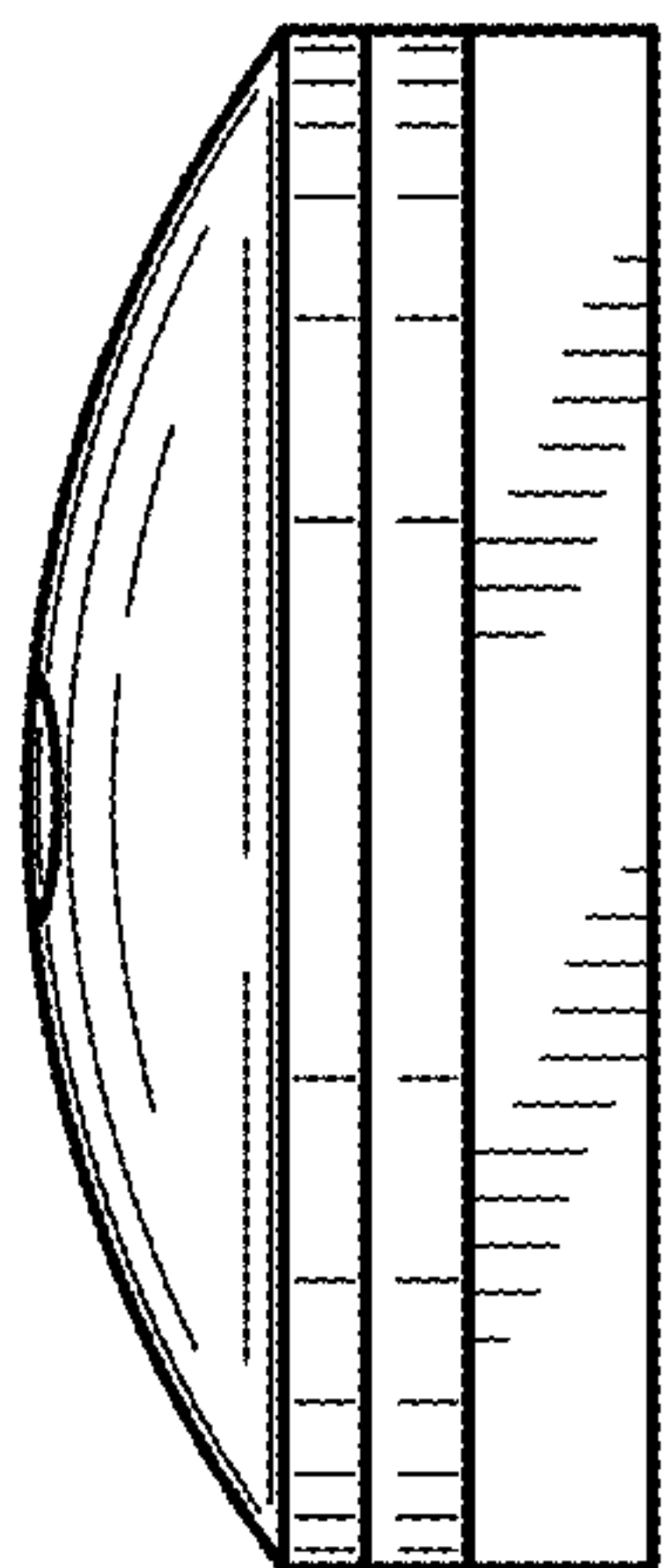


FIG. 6

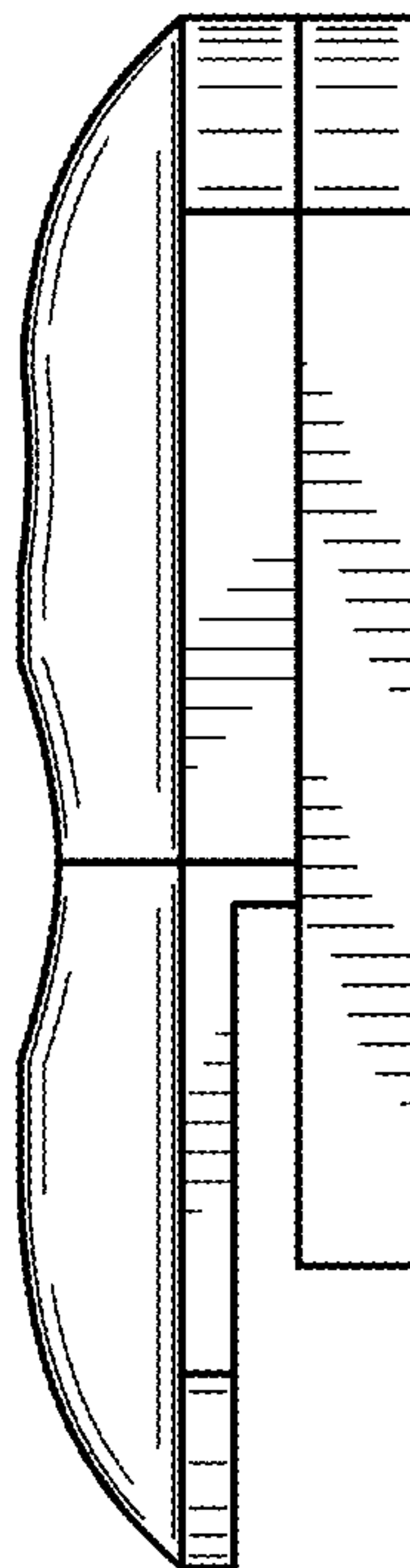


FIG. 7

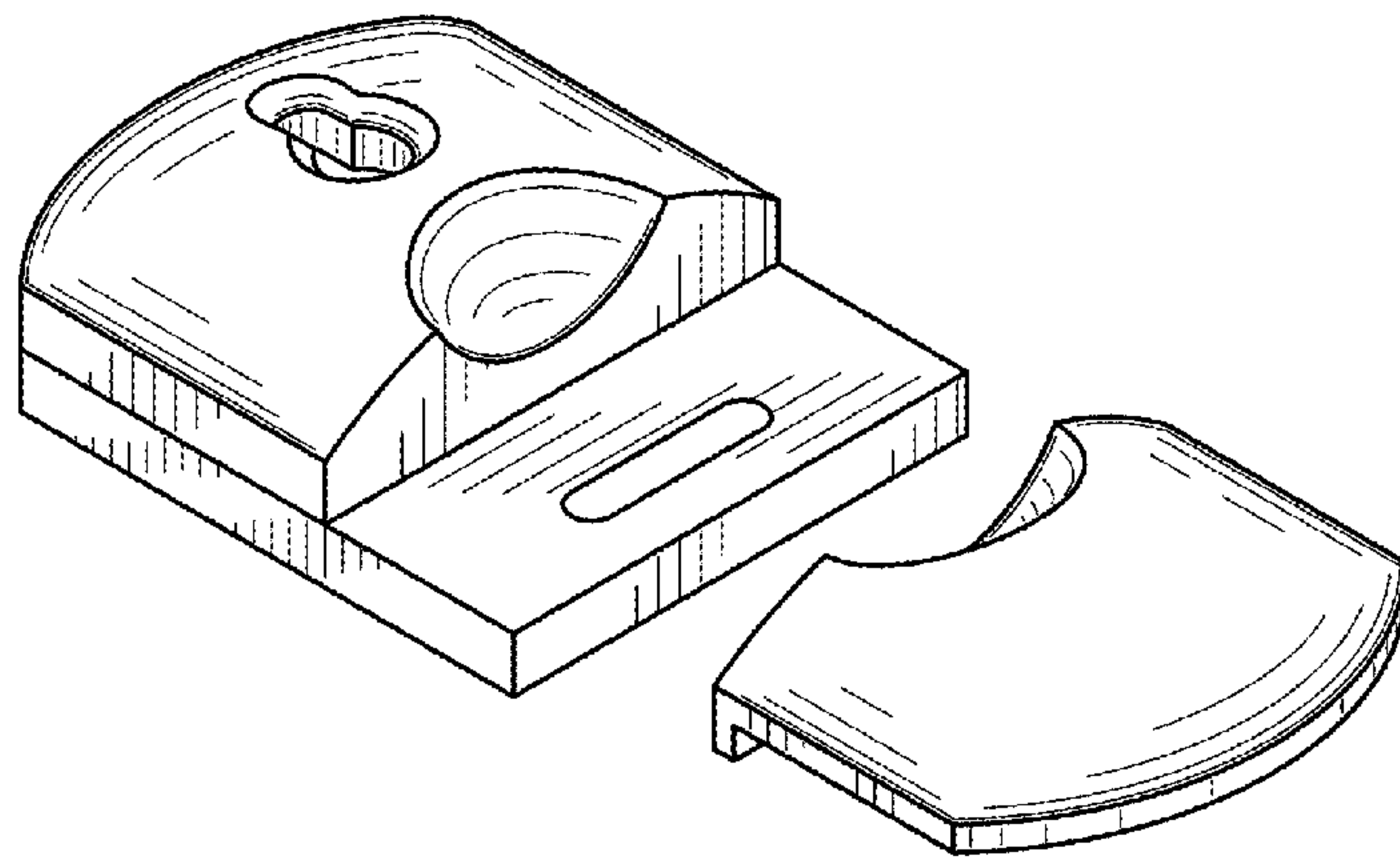


FIG. 8

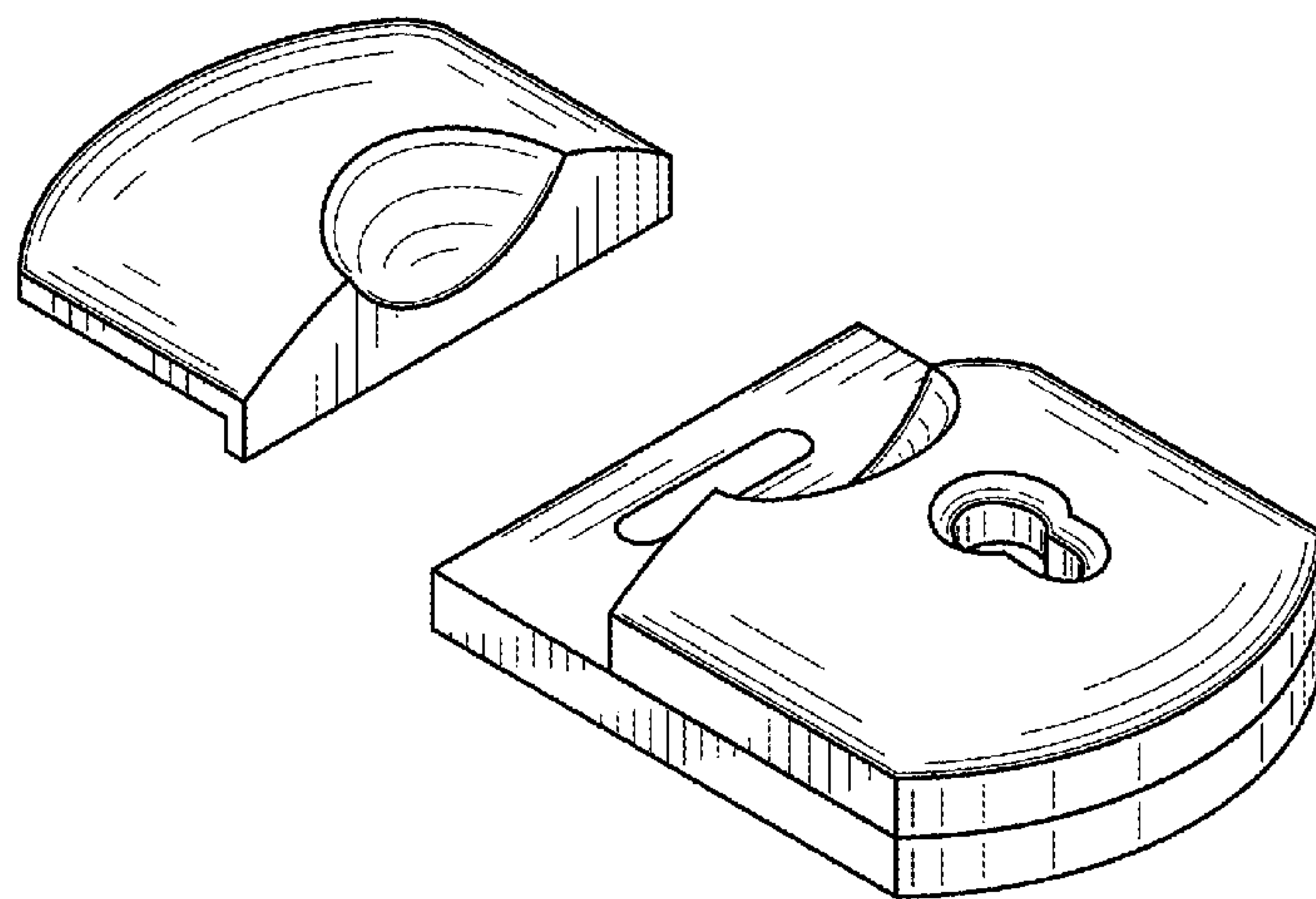


FIG. 9

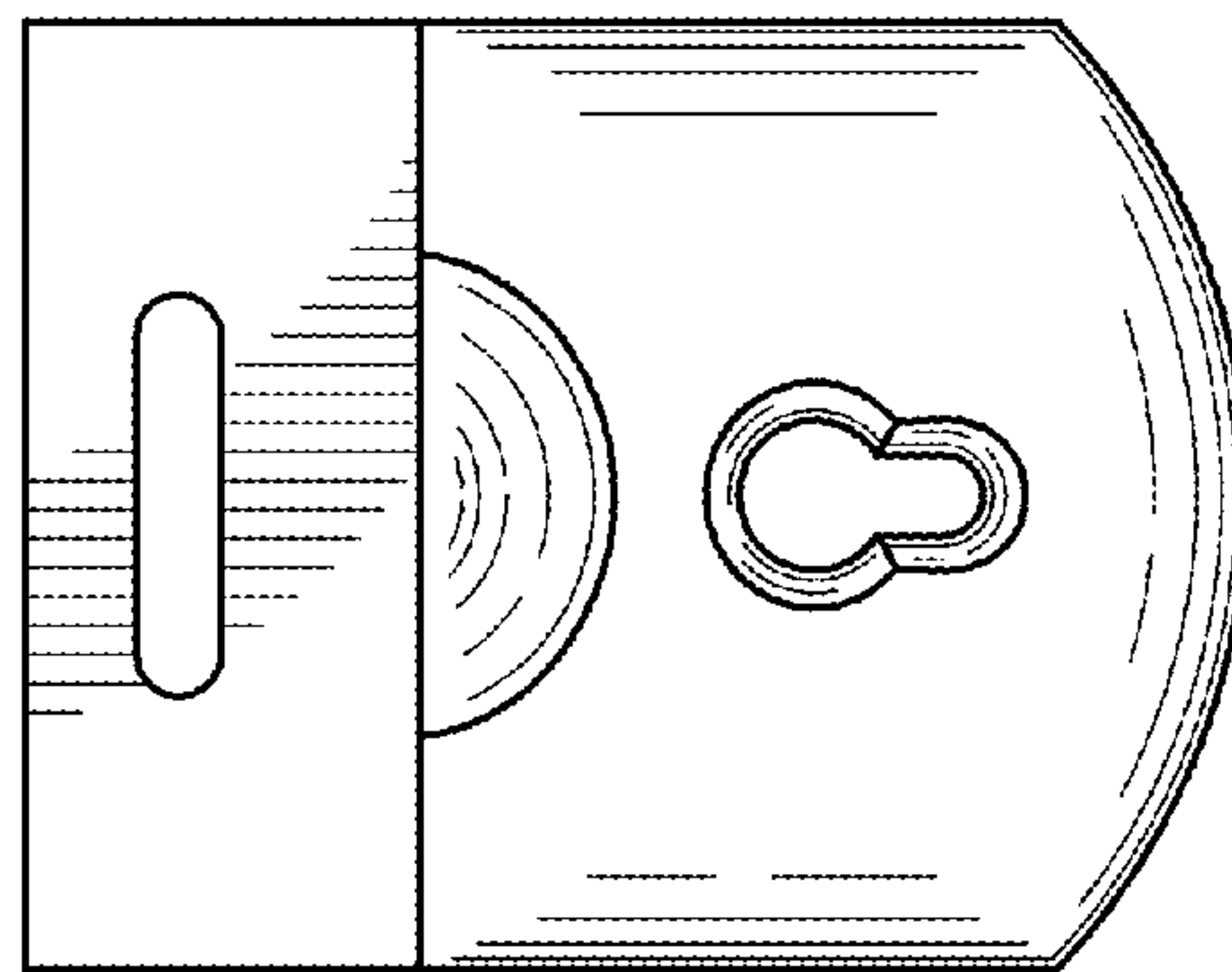
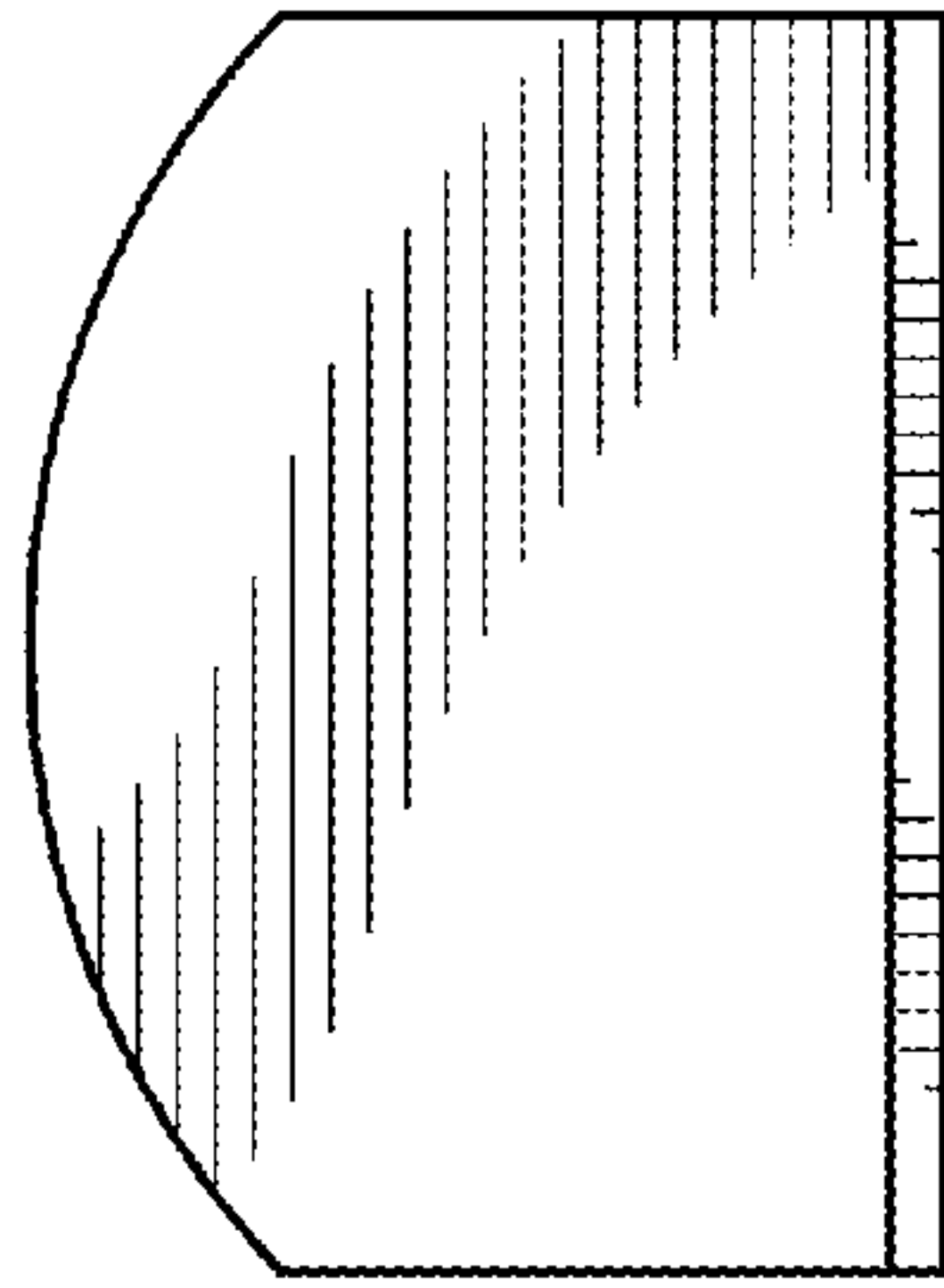


FIG. 10

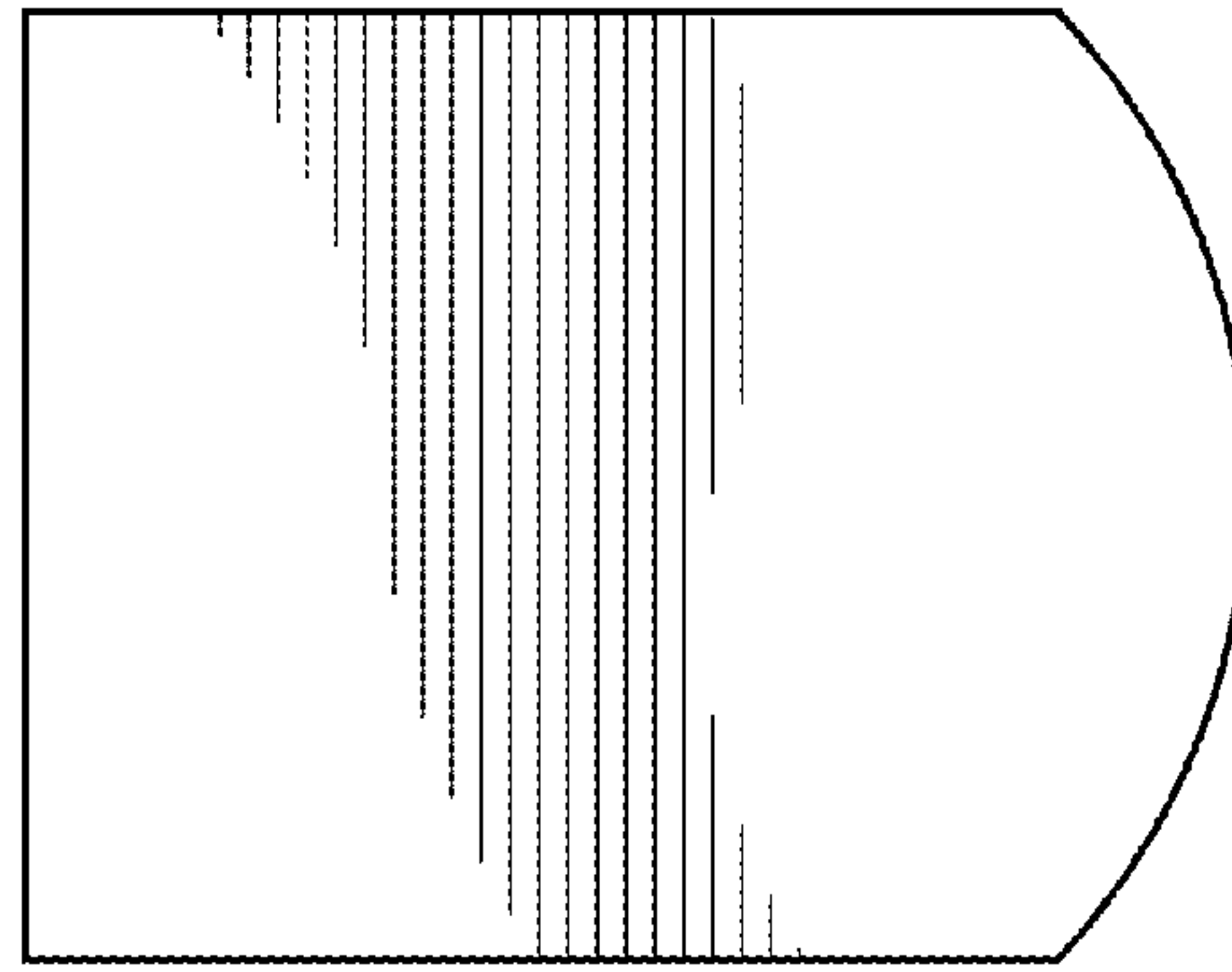
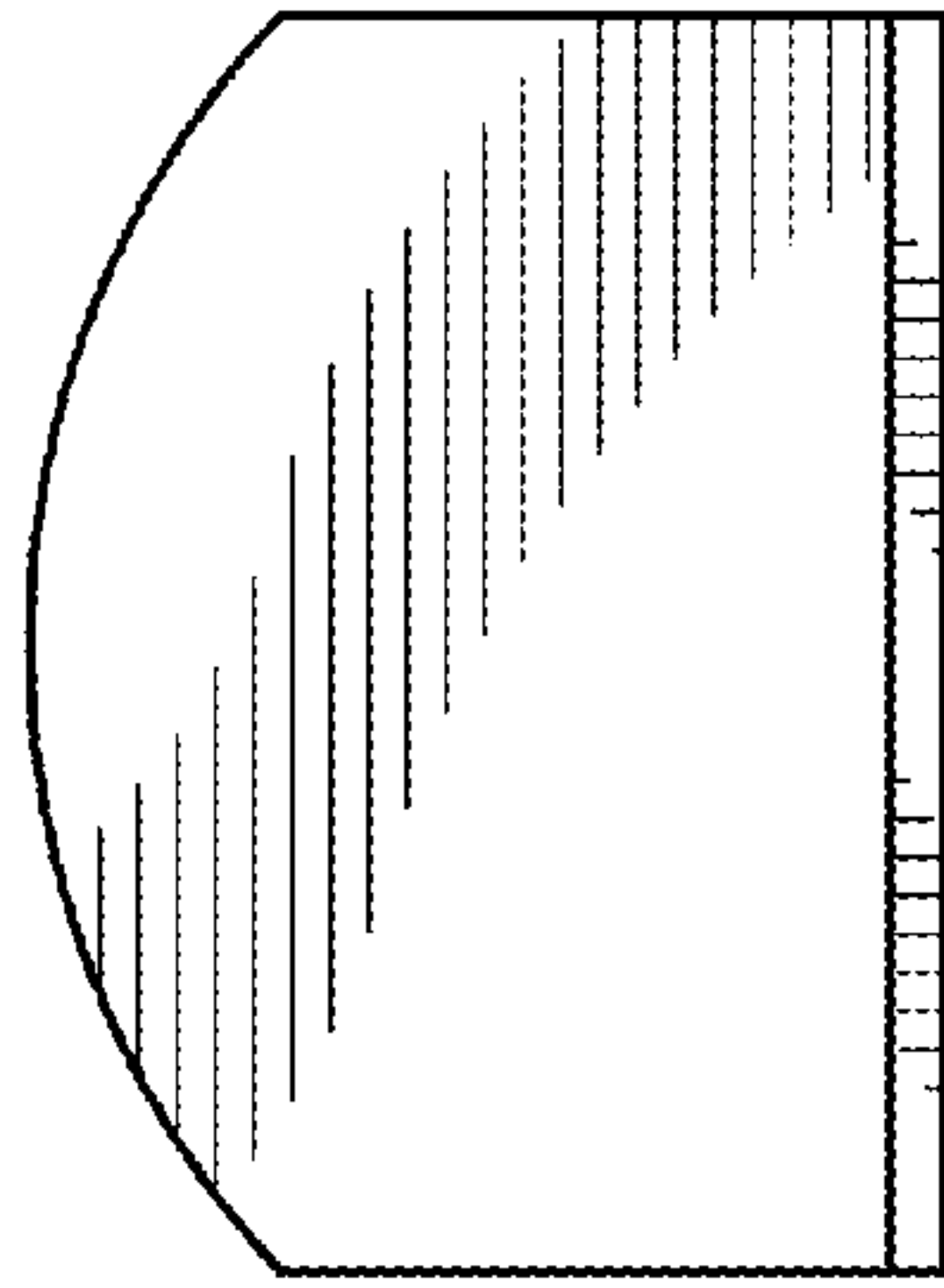


FIG. 11

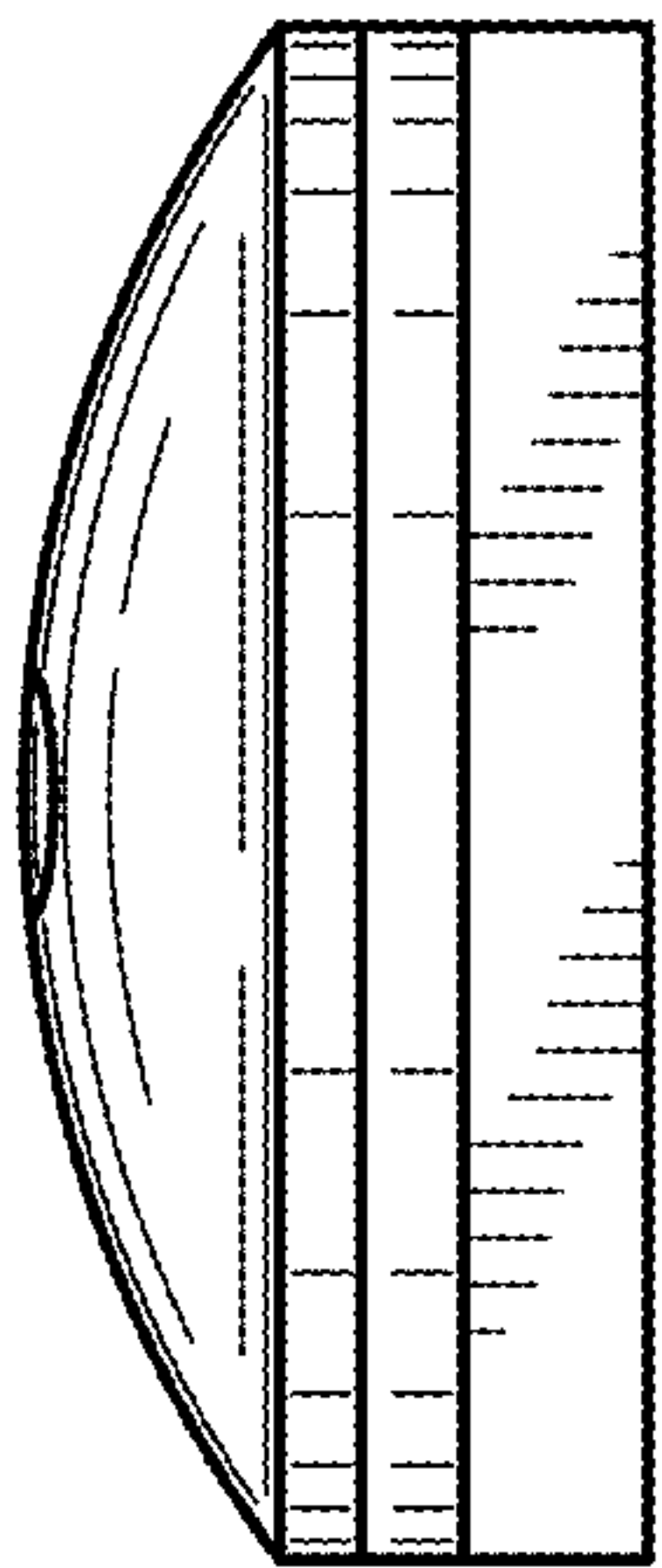


FIG. 12

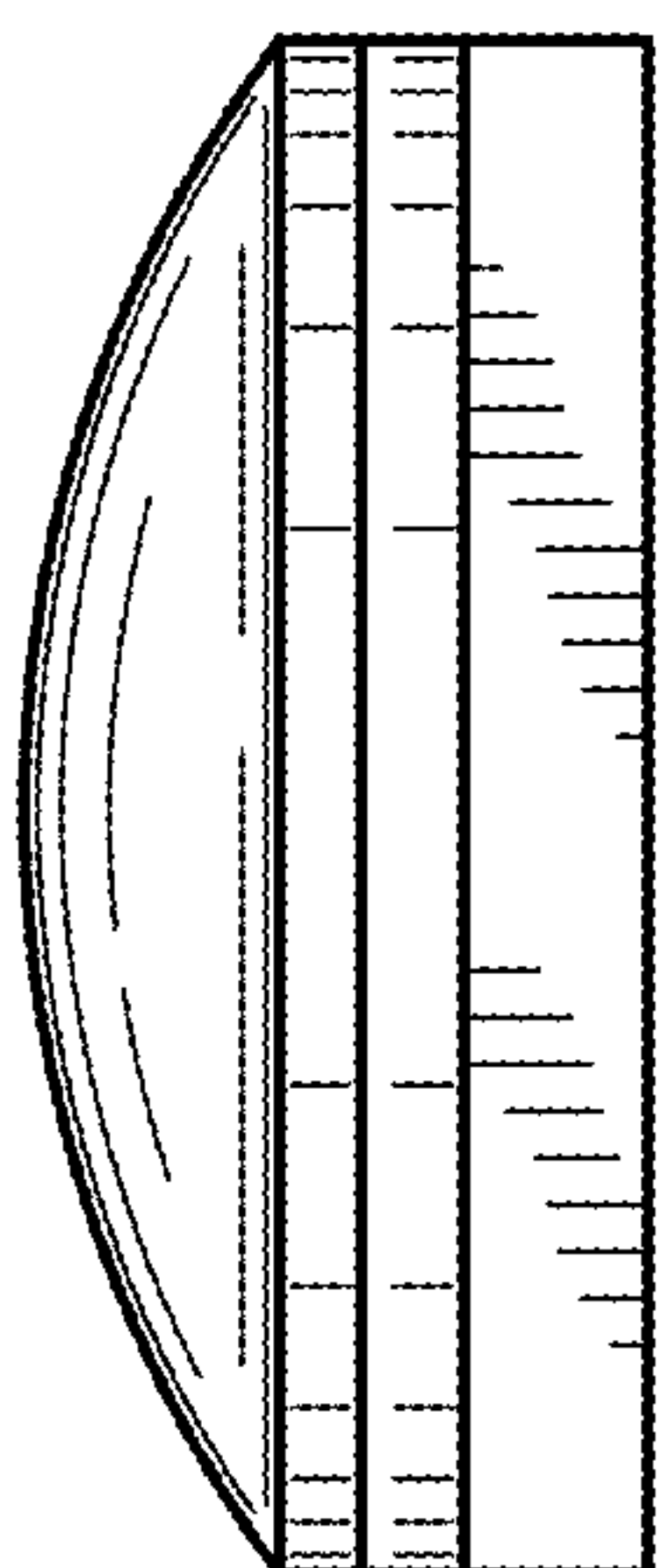


FIG. 13

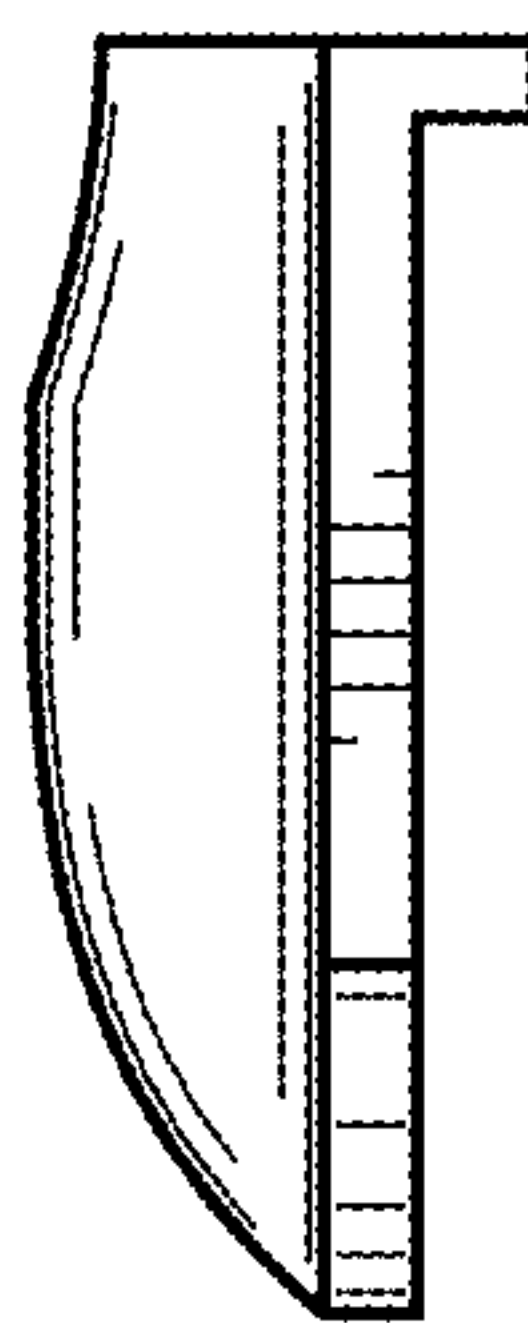


FIG. 14

