



(12) **United States Design Patent**  
**Ohlrich**

(10) **Patent No.:** **US D686,900 S**  
(45) **Date of Patent:** **\*\* Jul. 30, 2013**

- (54) **KNIFE BLADE**
- (75) Inventor: **Michael Ohlrich**, Oregon City, OR (US)
- (73) Assignee: **Mentor Group, L.L.C.**, Oregon City, OR (US)
- (\*\*) Term: **14 Years**
- (21) Appl. No.: **29/422,407**
- (22) Filed: **May 21, 2012**

D377,296	S	*	1/1997	Roberts	.....	D8/98
D382,459	S	*	8/1997	Khalsa	.....	D8/99
D386,655	S	*	11/1997	Spirer	.....	D8/20
D425,389	S	*	5/2000	Elishewitz	.....	D8/98
6,122,829	A	*	9/2000	McHenry et al.	.....	30/161
D454,768	S	*	3/2002	Onion	.....	D8/99
7,278,213	B2	*	10/2007	Pardue et al.	.....	30/160
7,905,023	B2	*	3/2011	Westerfield	.....	30/161
2009/0056146	A1	*	3/2009	Duey	.....	30/159

**OTHER PUBLICATIONS**

Series of photographs of knife blades, all circa 2005.

\* cited by examiner

*Primary Examiner* — Garth Rademaker

(74) *Attorney, Agent, or Firm* — Hancock Hughey LLP

(57) **CLAIM**

I claim the ornamental design for a knife blade, as shown and described.

**DESCRIPTION**

FIG. 1 is an upper perspective view of the right side a knife blade illustrating my new design;  
 FIG. 2 is an upper perspective view of the left side thereof;  
 FIG. 3 is a right side elevation view thereof;  
 FIG. 4 is top plan view thereof;  
 FIG. 5 is a front elevation view thereof;  
 FIG. 6 is a bottom plan view thereof;  
 FIG. 7 is a left side elevation view thereof; and,  
 FIG. 8 is a rear elevation view thereof.  
 The broken lines shown in the Figures are for illustrative purposes only, and form no part of the claimed design.

**1 Claim, 2 Drawing Sheets**

**Related U.S. Application Data**

(63) Continuation of application No. 29/394,650, filed on Jun. 20, 2011, now abandoned.

(51) **LOC (9) Cl.** ..... **08-03**

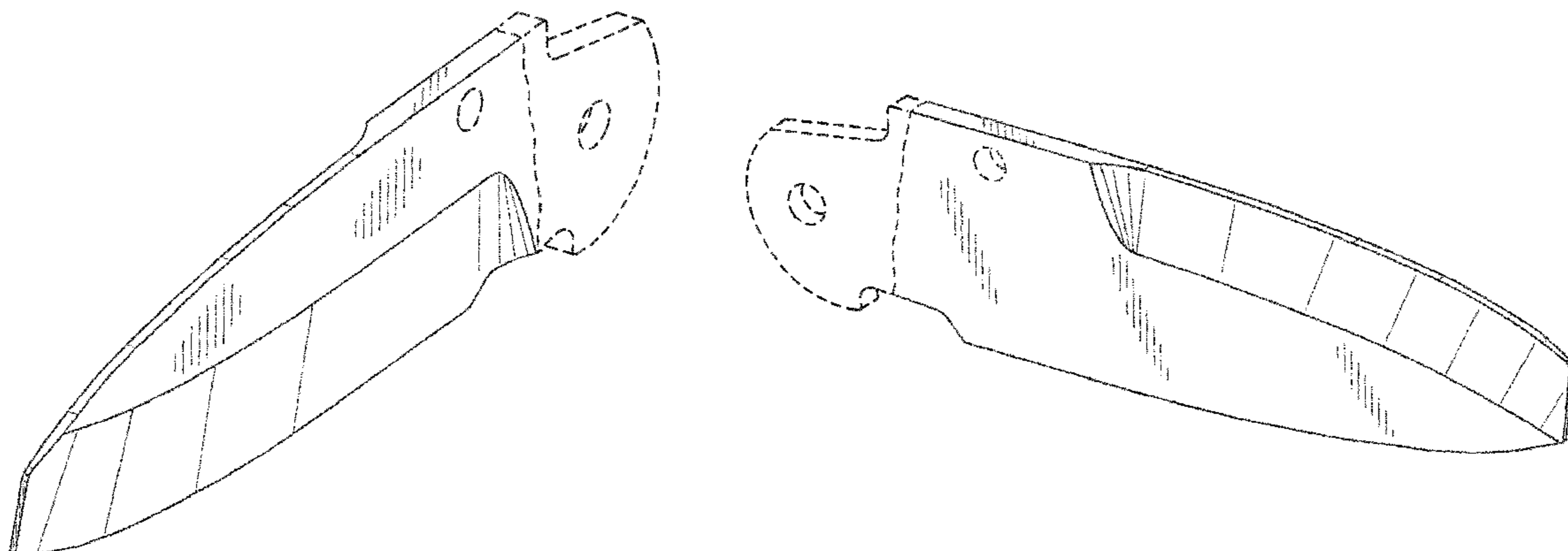
(52) **U.S. Cl.**  
USPC ..... **D8/99**

(58) **Field of Classification Search**  
 USPC D8/14, 16, 18–20, 45, 47, 95–104; D22/117, D22/118; D24/146; 7/118, 148; 30/142, 144, 30/151, 153, 155–161, 165, 166.3, 168, 169, 30/272.1, 314, 320, 346, 346.5, 346.55, 346.56, 30/349, 351, 355–357  
 See application file for complete search history.

(56) **References Cited**

**U.S. PATENT DOCUMENTS**

1,002,045	A	*	8/1911	Dooley et al.	.....	30/142
D287,692	S	*	1/1987	Brailsford	.....	D8/16
D303,210	S	*	9/1989	Thompson	.....	D8/99
D369,287	S	*	4/1996	Seber et al.	.....	D8/98



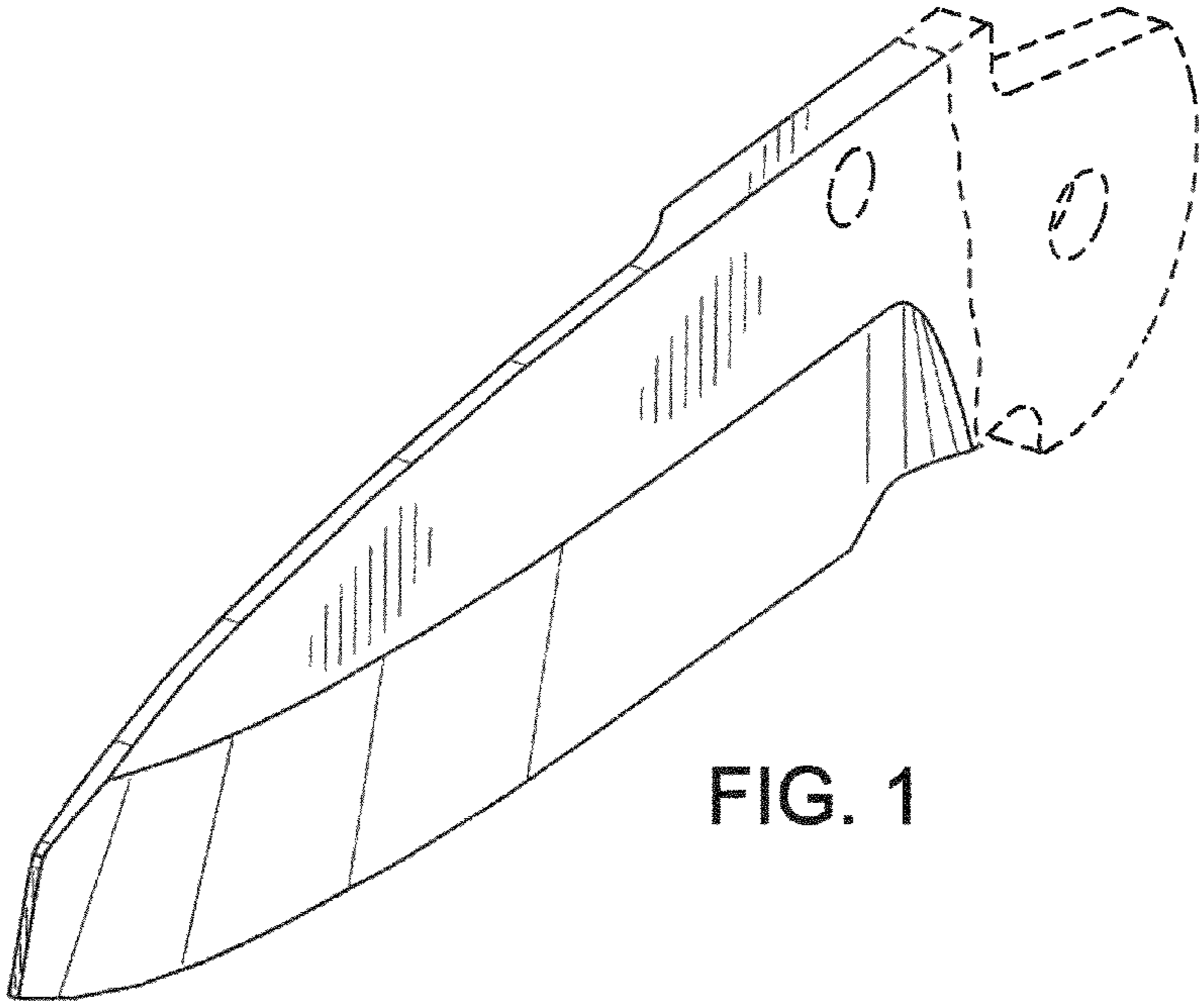


FIG. 1

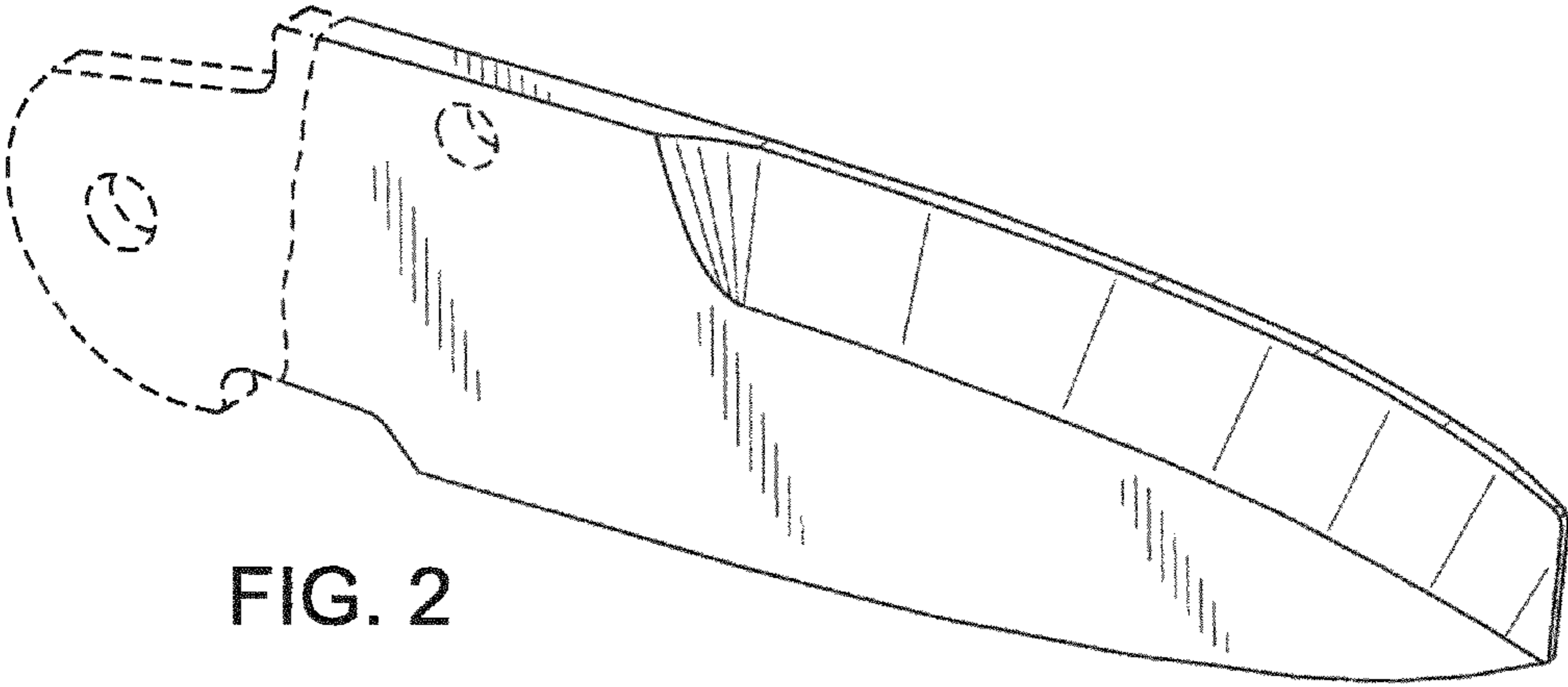


FIG. 2



FIG. 4

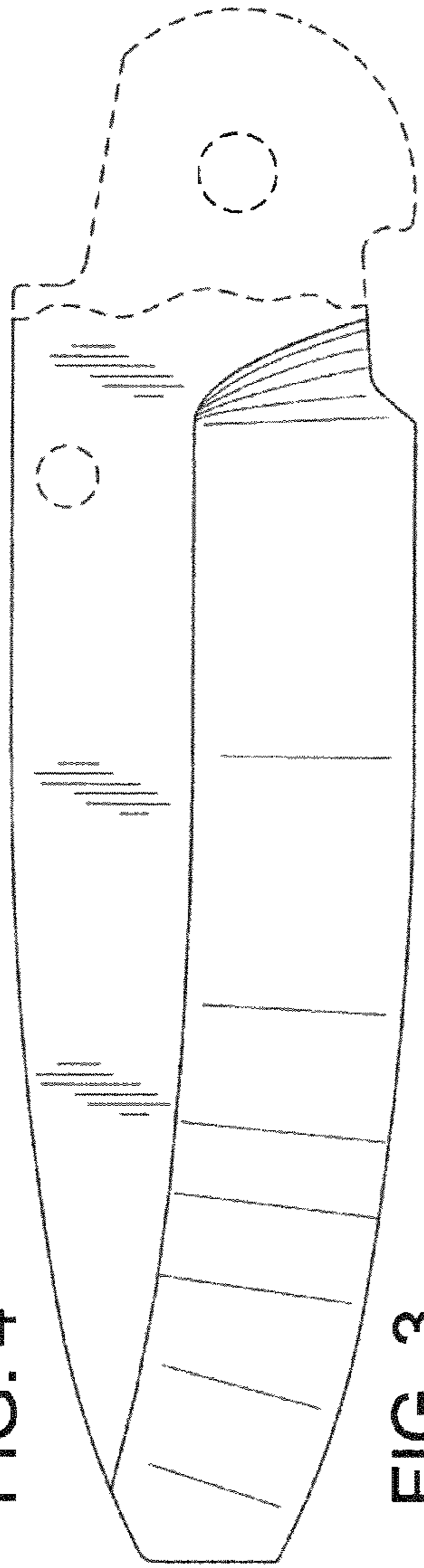


FIG. 3



FIG. 5

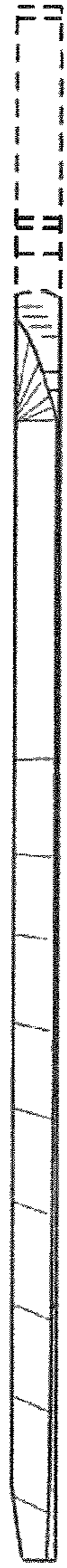


FIG. 6

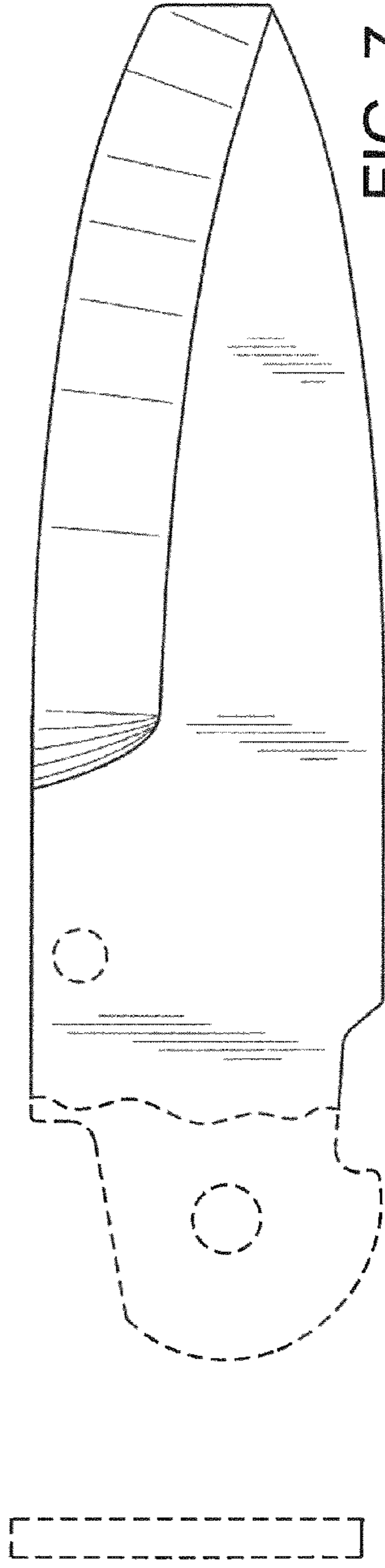


FIG. 7



FIG. 8