



US00D686897S

(12) **United States Design Patent**
Maini et al.

(10) **Patent No.:** **US D686,897 S**
(45) **Date of Patent:** **** Jul. 30, 2013**

(54) **JIB FOR CEMENT SPREADING MACHINE**

(75) Inventors: **Paolo Dario Maini**, Monza (IT);
Alessandro Macera, Senna Comasco (IT)

(73) Assignee: **CIFA S.p.A.**, Senago (IT)

(**) Term: **14 Years**

(21) Appl. No.: **29/422,025**

(22) Filed: **May 15, 2012**

(30) **Foreign Application Priority Data**

Nov. 16, 2011 (EM) 1302152-0008

(51) **LOC (9) Cl.** **08-03**

(52) **U.S. Cl.**
USPC **D8/70**

(58) **Field of Classification Search**
USPC D8/70; D34/28, 29, 35, 36; 403/109.2,
403/109.3; 182/2.4, 2.9, 46; 198/523; 193/2 R
See application file for complete search history.

(56) **References Cited**

U.S. PATENT DOCUMENTS

D282,304 S *	1/1986	Bickley	D34/36
4,741,371 A *	5/1988	Lord	144/269
D299,079 S *	12/1988	Bernabe, Jr.	D34/36
D299,179 S *	12/1988	Bernabe, Jr.	D34/36
D339,813 S *	9/1993	Houkom	D15/32
D346,474 S *	4/1994	Lindgren	D34/35
D646,306 S *	10/2011	Bradley et al.	D15/32

D662,682 S *	6/2012	Maini et al.	D34/36
D662,683 S *	6/2012	Maini et al.	D34/36
D671,147 S *	11/2012	Nakamura et al.	D15/28
2011/0220228 A1 *	9/2011	Maini et al.	137/615

FOREIGN PATENT DOCUMENTS

EP	1970344 A1 *	9/2008
EP	2039498 A2 *	3/2009

* cited by examiner

Primary Examiner — Philip S Hyder

Assistant Examiner — Darlington Ly

(74) *Attorney, Agent, or Firm* — Hamre, Schumann, Mueller & Larson, P.C.

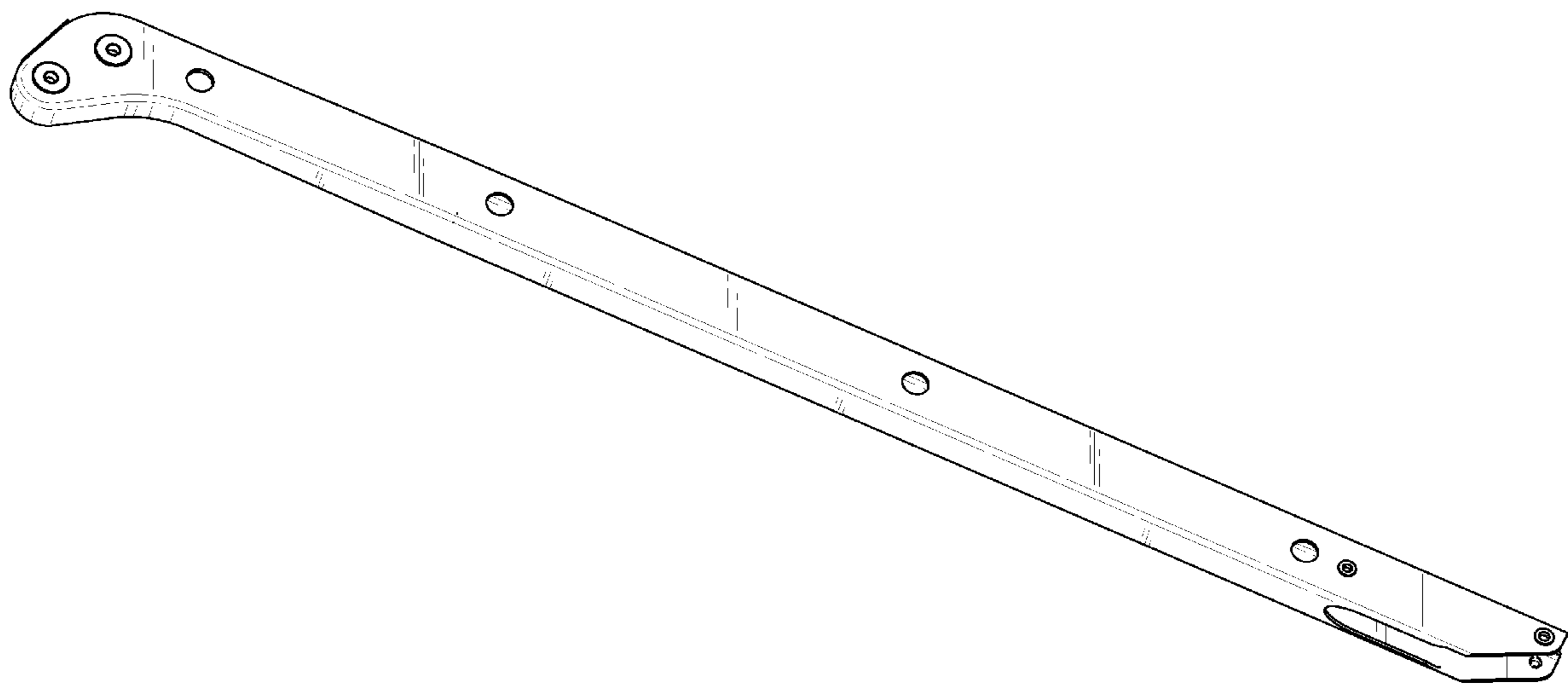
(57) **CLAIM**

The ornamental design for a jib for cement spreading machine, as shown and described.

DESCRIPTION

FIG. 1 is a perspective view of a jib for cement spreading machine showing our new design;
FIG. 2A is a front view one end thereof;
FIG. 2B is a front view of the other end thereof;
FIG. 3A is a rear view of one end thereof;
FIG. 3B is a rear view of the other end thereof;
FIG. 4A is a top view of one end thereof;
FIG. 4B is a top view of the other end thereof;
FIG. 5A is a bottom view of one end thereof;
FIG. 5B is a bottom view of the other end thereof;
FIG. 6 is a left side view thereof; and,
FIG. 7 is a right side view thereof.

1 Claim, 6 Drawing Sheets



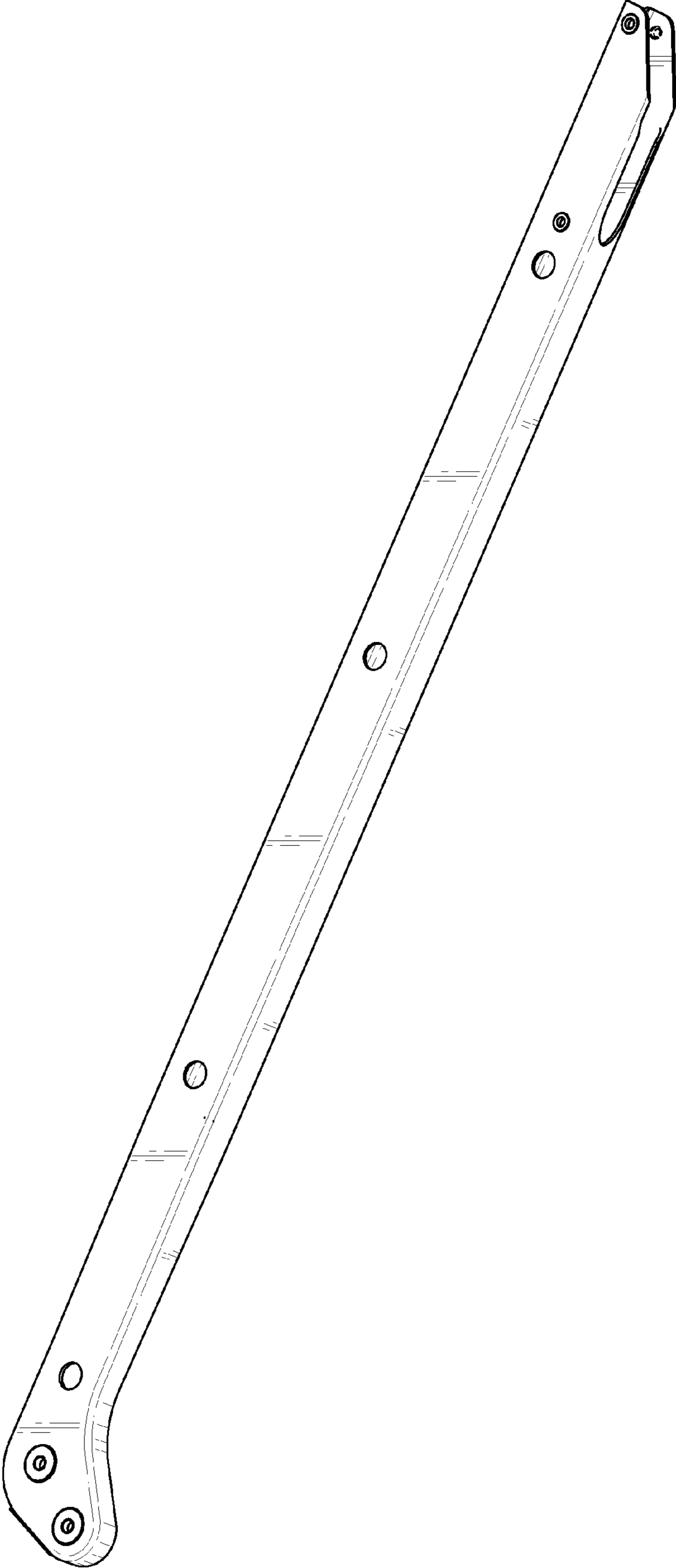


Fig. 1

Fig. 2A

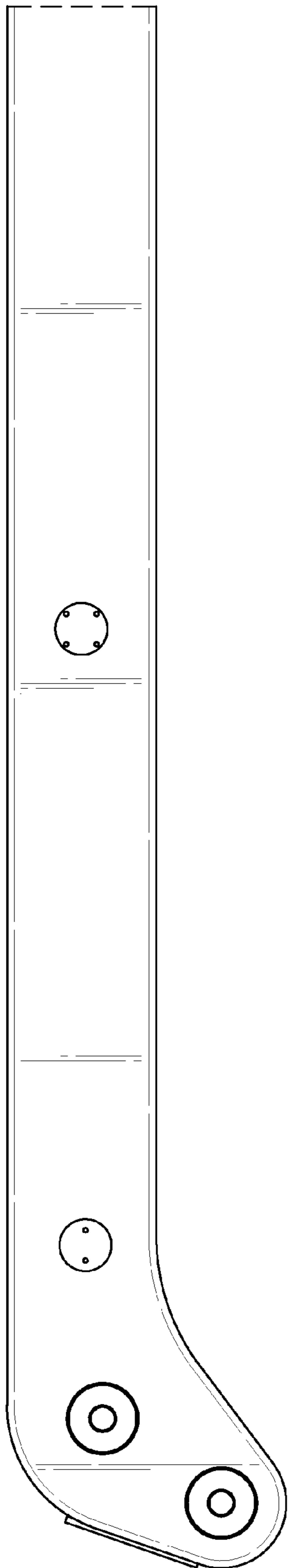


Fig. 2B

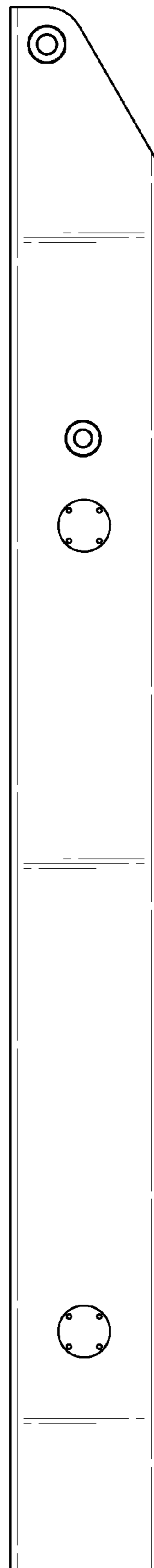


Fig. 3A

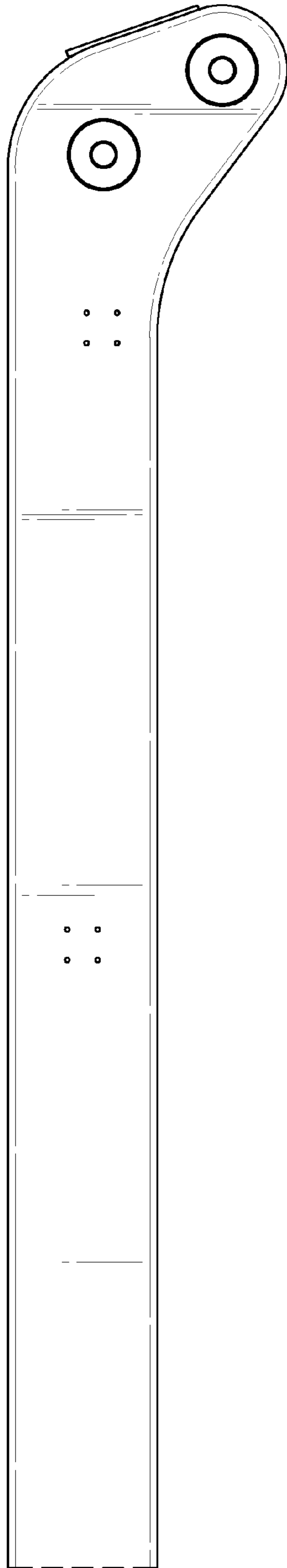


Fig. 3B

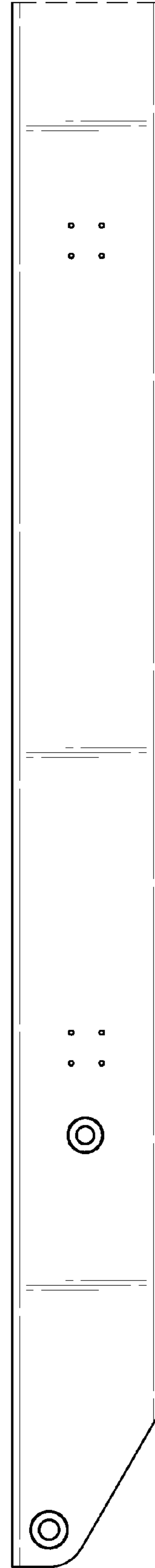


Fig. 4A

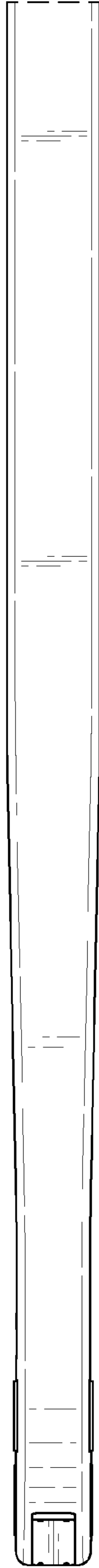


Fig. 4B

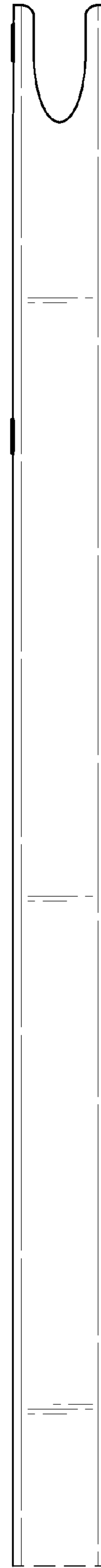


Fig. 5A

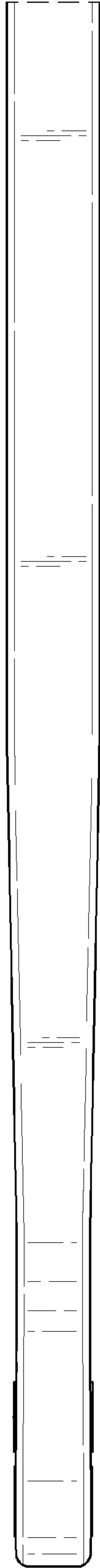
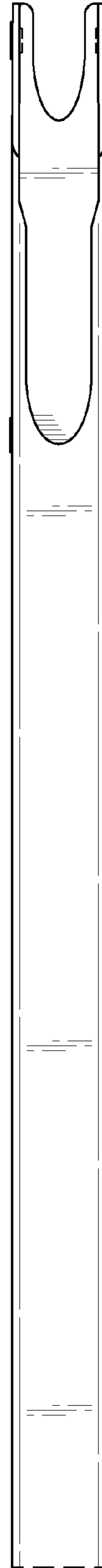


Fig. 5B



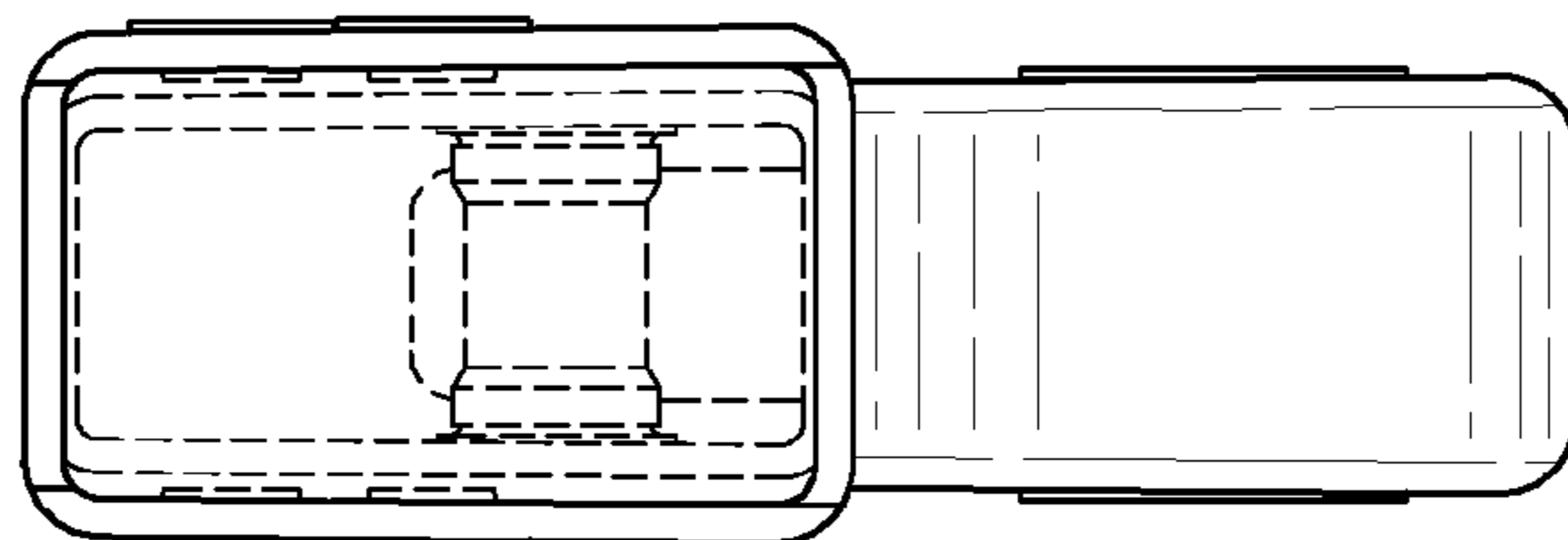


Fig. 7

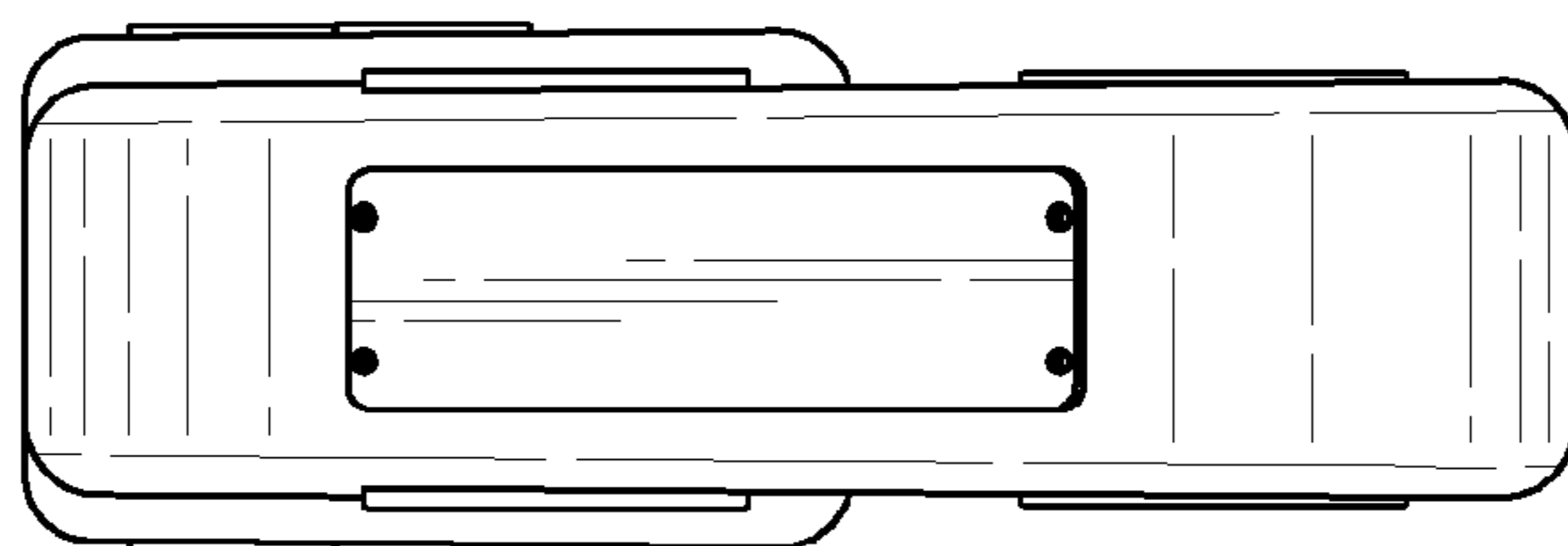


Fig. 6