



US00D686895S

(12) **United States Design Patent**  
**Juranitch**

(10) **Patent No.:** **US D686,895 S**  
(45) **Date of Patent:** **\*\* Jul. 30, 2013**

(54) **SCISSORS SHARPENER**

(75) Inventor: **John R. Juranitch**, Ely, MN (US)

(73) Assignee: **Razor Edge Systems, Inc.**, Ely, MN (US)

(\*\*) Term: **14 Years**

(21) Appl. No.: **29/410,479**

(22) Filed: **Jan. 9, 2012**

(51) **LOC (9) Cl.** ..... **08-05**

(52) **U.S. Cl.**  
USPC ..... **D8/51; D8/93**

(58) **Field of Classification Search**  
USPC ..... D8/51, 63, 90-94; 76/82, 84, 86-89;  
451/552, 555-558  
See application file for complete search history.

(56) **References Cited**

U.S. PATENT DOCUMENTS

D308,018	S	*	5/1990	Linden et al.	.....	D8/93
4,934,110	A		6/1990	Juranitch		
5,477,753	A	*	12/1995	Branscum et al.	.....	76/82
5,655,959	A		8/1997	Juranitch		
D427,500	S	*	7/2000	Glesser	.....	D8/93
D446,707	S	*	8/2001	Carlson et al.	.....	D8/91

D491,786	S	*	6/2004	Waltzer	.....	D8/93
6,846,229	B1	*	1/2005	Ranieri	.....	451/312
7,803,038	B2	*	9/2010	Lake	.....	451/321

\* cited by examiner

*Primary Examiner* — Susan E Krakower

*Assistant Examiner* — Roselynn Cody

(74) *Attorney, Agent, or Firm* — Patterson Thunte Pedersen, P.A.

(57) **CLAIM**

I claim the ornamental design for a scissors sharpener, as shown.

**DESCRIPTION**

FIG. 1 is a perspective view of a scissors sharpener according to an embodiment of the invention.

FIG. 2 is a front elevation view of a scissors sharpener according to an embodiment of the invention.

FIG. 3 is a top plan view of a scissors sharpener according to an embodiment of the invention.

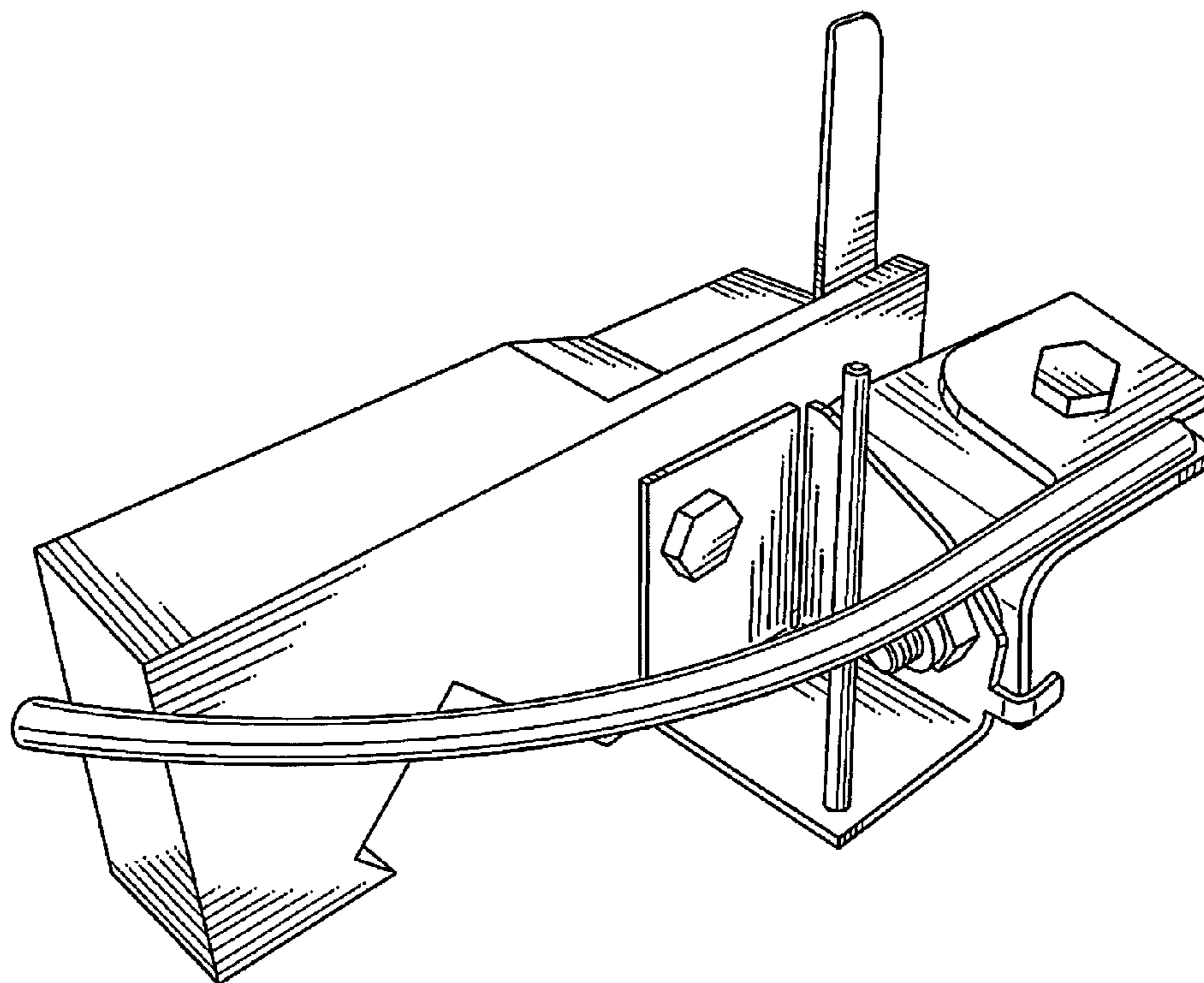
FIG. 4 is a bottom plan view of a scissors sharpener according to an embodiment of the invention.

FIG. 5 is a rear elevation view of a scissors sharpener according to an embodiment of the invention.

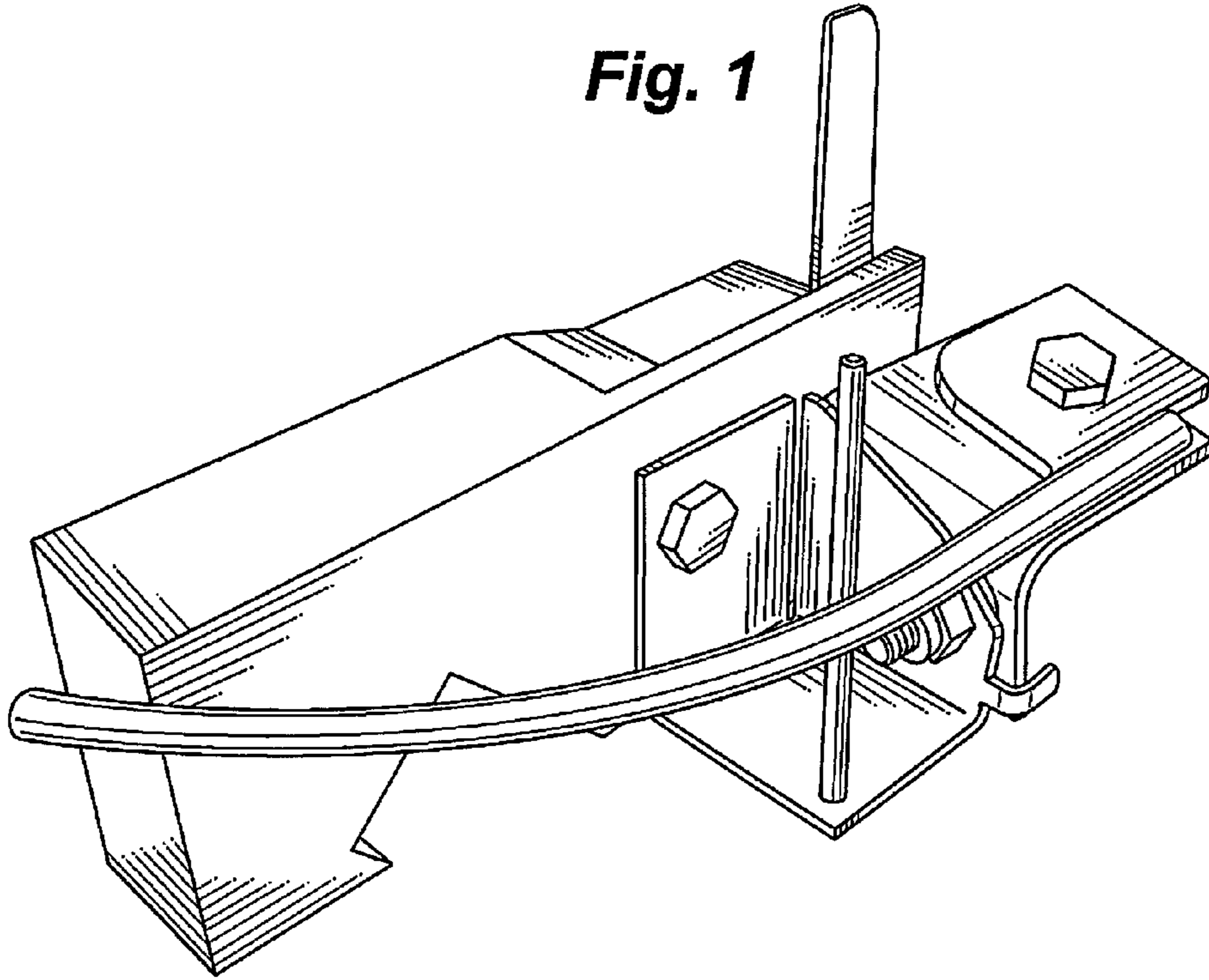
FIG. 6 is a right side elevational view of a scissors sharpener according to an embodiment of the invention; and,

FIG. 7 is a left side elevational view of a scissors sharpener according to an embodiment of the invention.

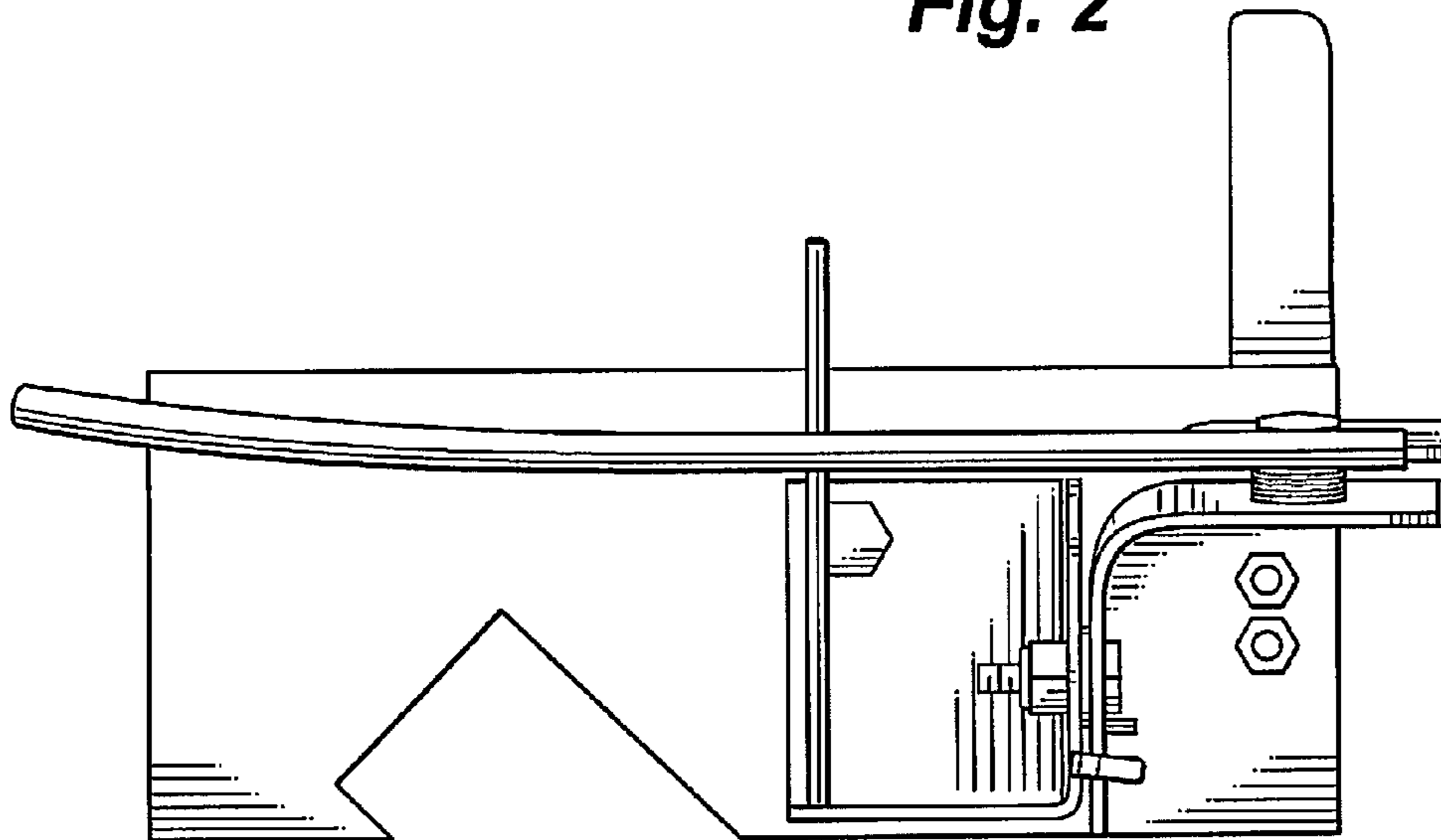
**1 Claim, 3 Drawing Sheets**



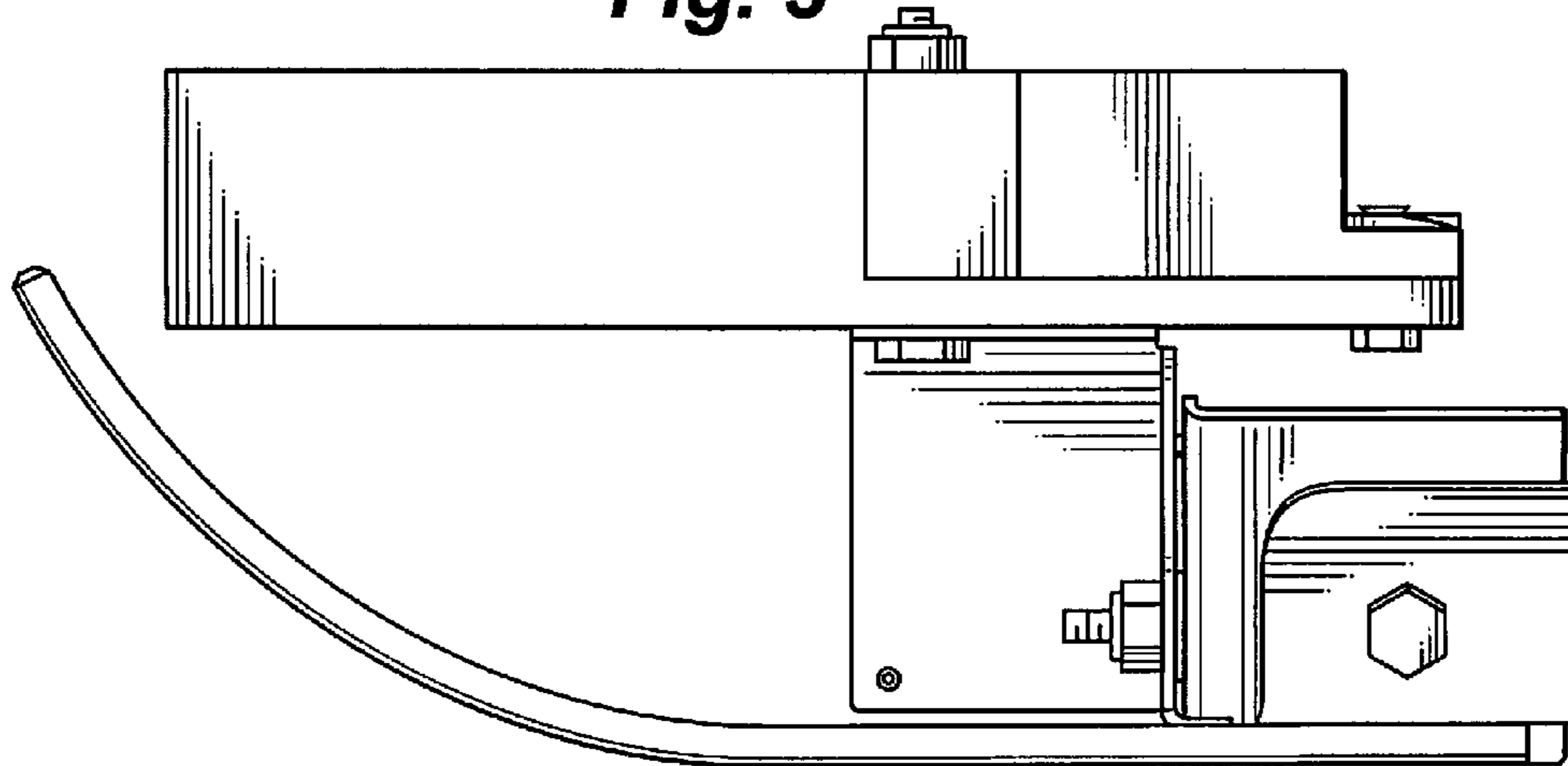
**Fig. 1**



**Fig. 2**



**Fig. 3**



**Fig. 4**

