



US00D686894S

(12) **United States Design Patent**
Breeden et al.

(10) **Patent No.:** **US D686,894 S**
(45) **Date of Patent:** **** Jul. 30, 2013**

(54) **RATCHET TIE-DOWN HANDLE**

(75) Inventors: **Winston Breeden**, Chagrin Falls, OH (US); **Robert C. Johnson**, Montville, OH (US)

(73) Assignee: **Winston Products LLC**, Cleveland, OH (US)

(**) Term: **14 Years**

(21) Appl. No.: **29/408,471**

(22) Filed: **Dec. 13, 2011**

Related U.S. Application Data

(63) Continuation of application No. 12/234,065, filed on Sep. 19, 2008, now Pat. No. 8,099,836.

(51) **LOC (9) Cl.** **08-05**

(52) **U.S. Cl.**
USPC **D8/44**

(58) **Field of Classification Search**
USPC D8/44, 336, 338, 356; 24/68 CD, 24/68 CT, 68 E, 68 R, 68 TT, 163 R, 168-170; 254/217-220, 223, 247-248; 410/100; 70/18, 70/58
See application file for complete search history.

(56) **References Cited**

U.S. PATENT DOCUMENTS

D266,828 S * 11/1982 Prete, Jr. D8/383
D639,626 S * 6/2011 Gangakhedkar et al. D8/44

D642,031 S * 7/2011 Pehar et al. D8/44
8,099,836 B2 * 1/2012 Breeden et al. 24/68 CD
2009/0119892 A1 * 5/2009 Breeden et al. 24/68 CD

OTHER PUBLICATIONS

Ratchet X. Downloaded from <http://www.smartstraps.com/products/tiedowns-ratchet-ball.aspx> Jan. 8, 2013.*
Winston Products Smart Straps. Downloaded from <http://www.walmart.com/ip/SmartStraps-10-1500-lbs.-RatchetX-Green-2-Pack/14493290> . . . Nov. 19, 2012.*

* cited by examiner

Primary Examiner — Philip S Hyder
Assistant Examiner — Roselynn Cody

(74) *Attorney, Agent, or Firm* — Cooper Legal Group, LLC

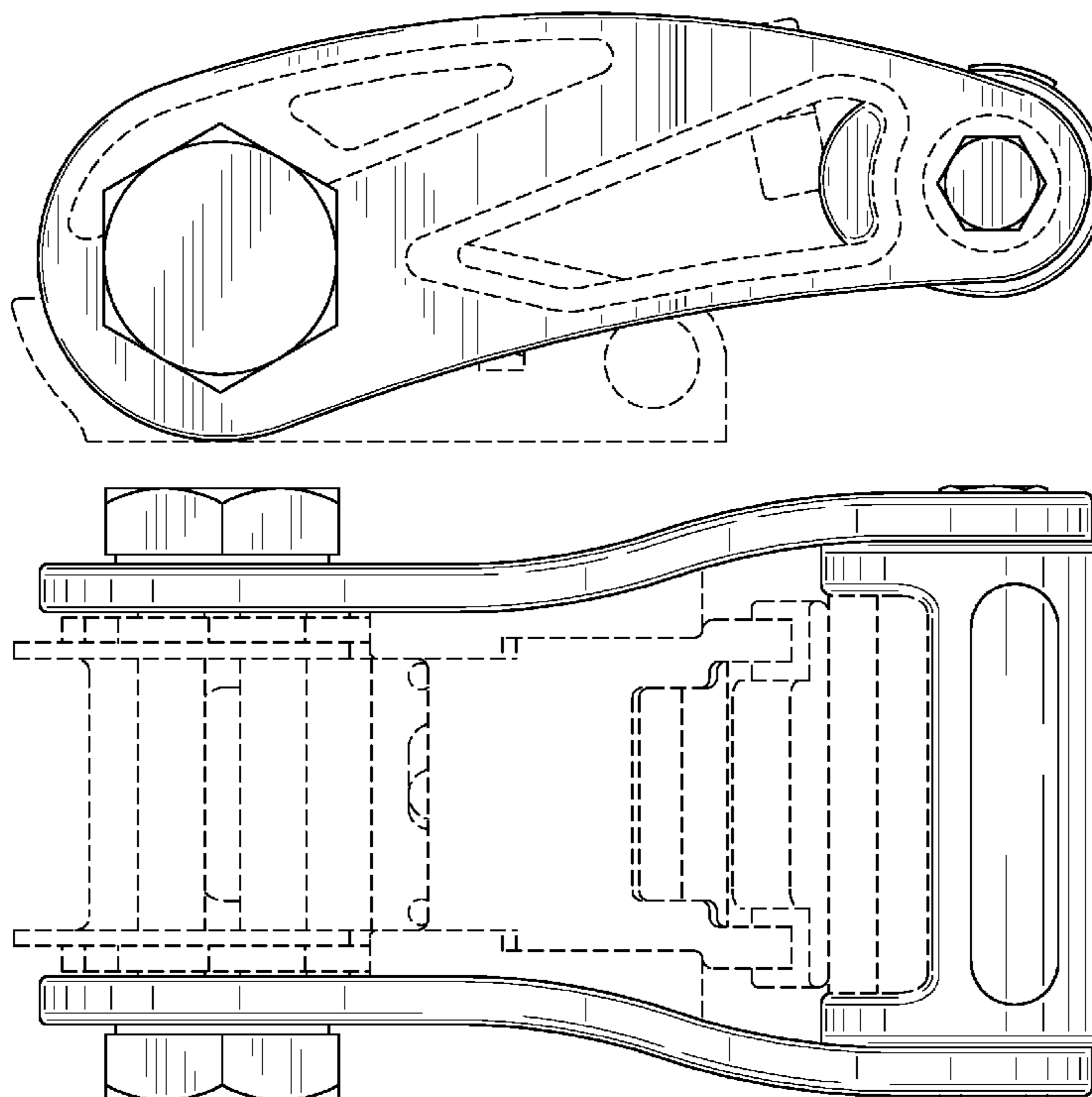
(57) **CLAIM**

The ornamental design for a ratchet tie-down handle, as shown and described.

DESCRIPTION

FIG. 1 is a right-side view of a ratchet tie-down handle, showing the new design.
FIG. 2 is a left-side view thereof.
FIG. 3 is a top-side view thereof.
FIG. 4 is a bottom-side view thereof.
FIG. 5 is a first end view thereof; and,
FIG. 6 is a second end view thereof.
The broken lines in the drawings illustrate features of the ratchet tie-down handle that form no part of the claimed design.

1 Claim, 3 Drawing Sheets



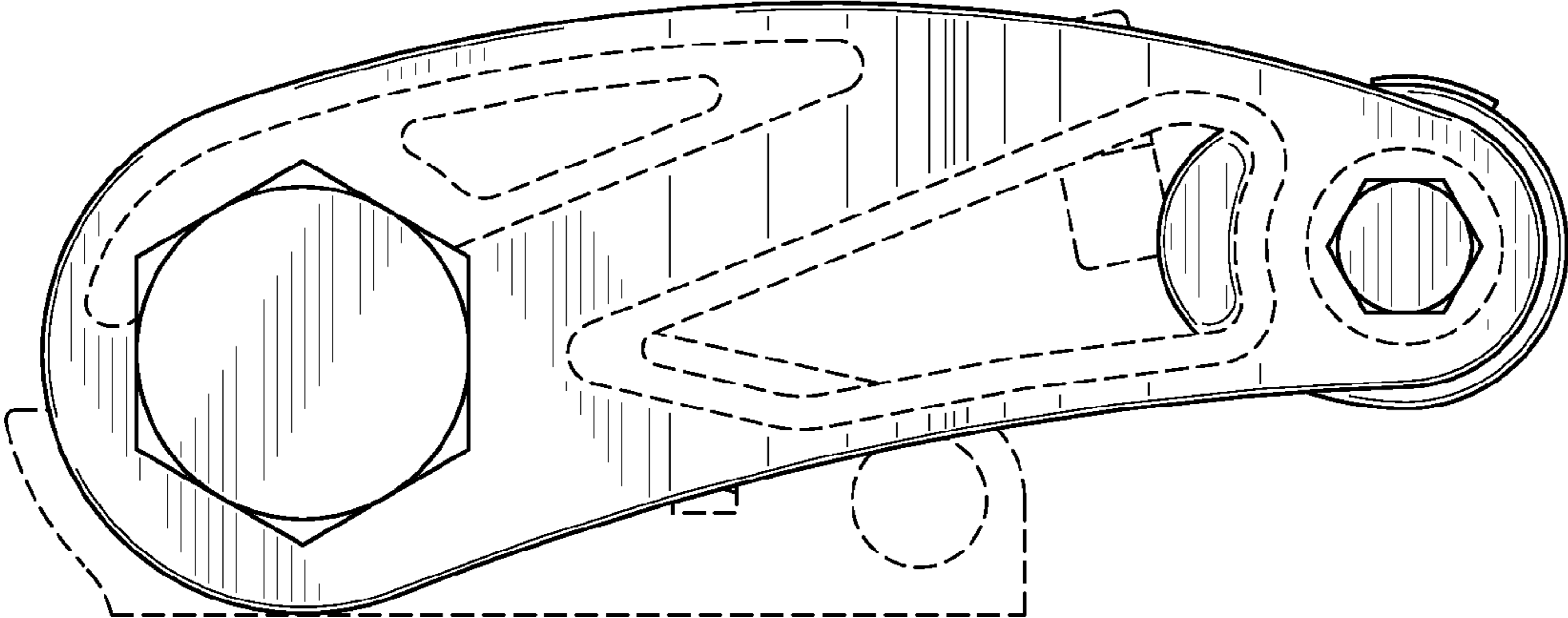


FIG. 1

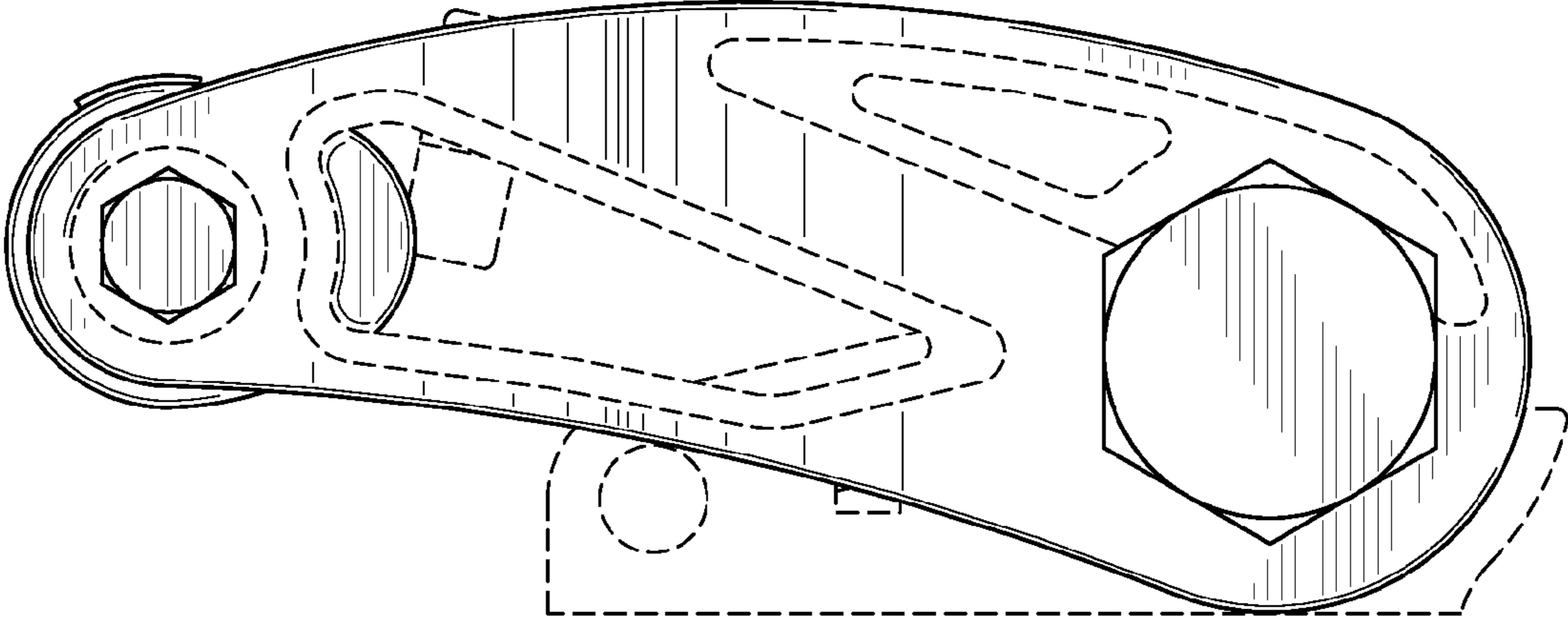


FIG. 2

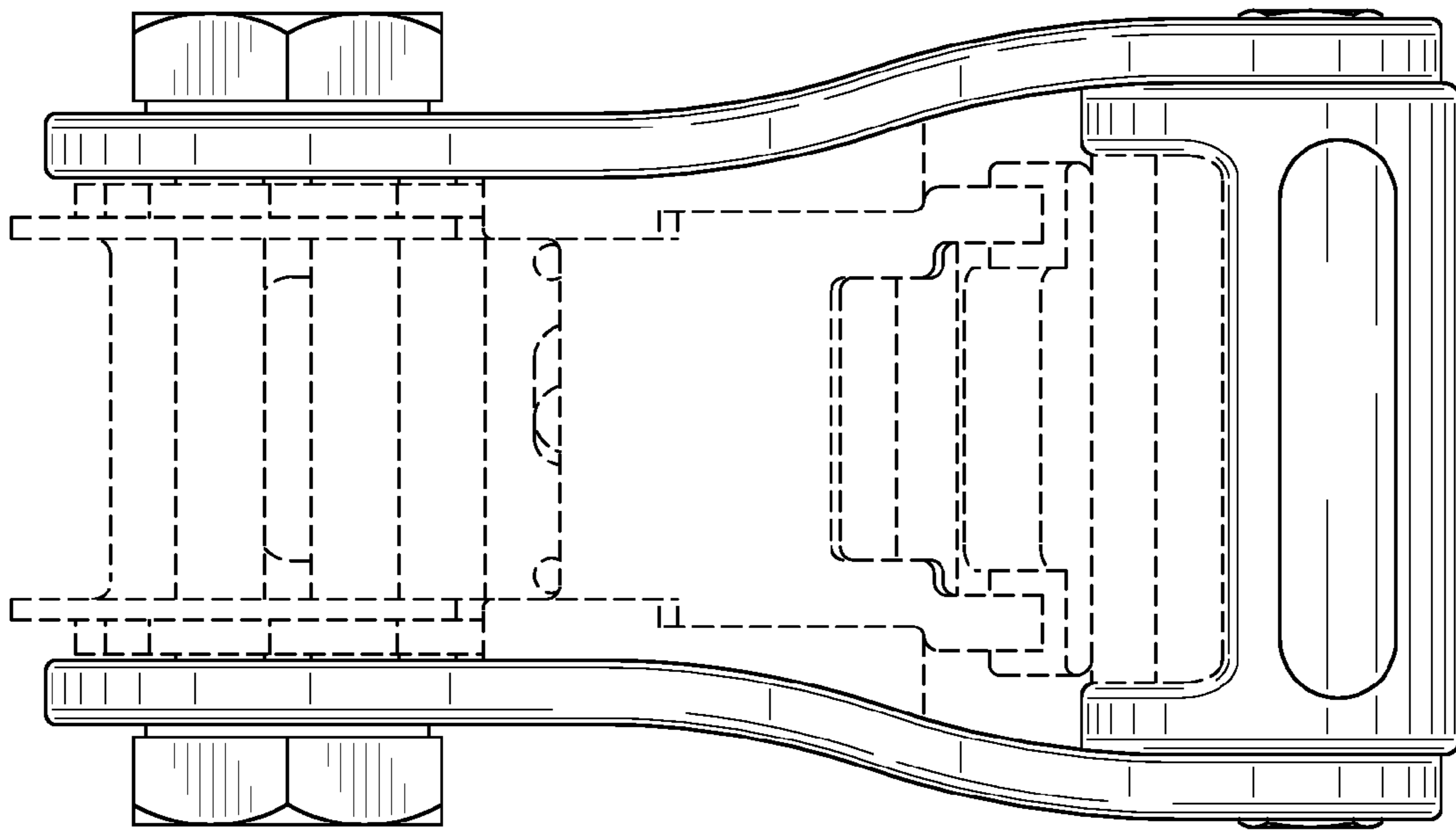


FIG. 3

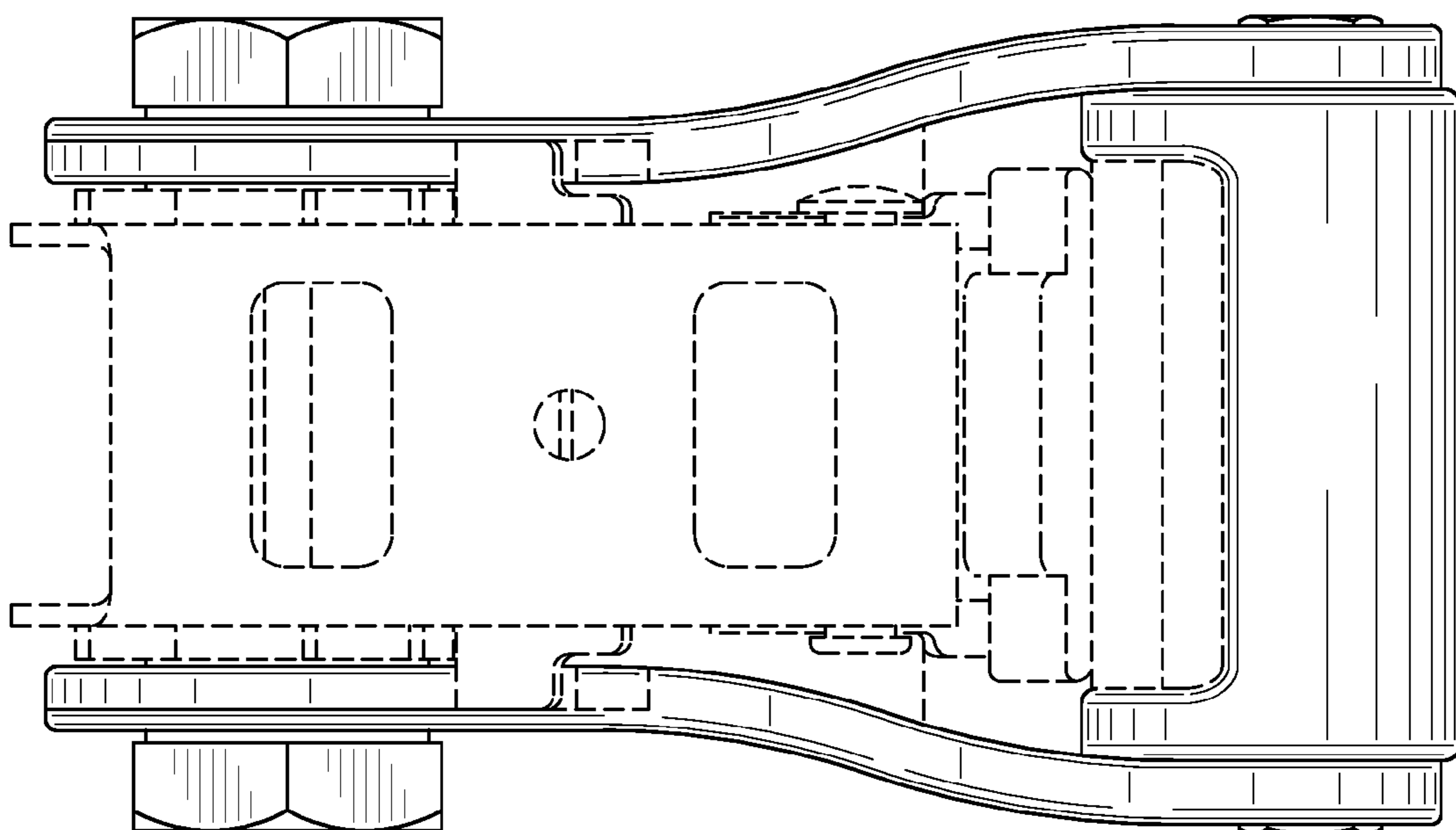


FIG. 4

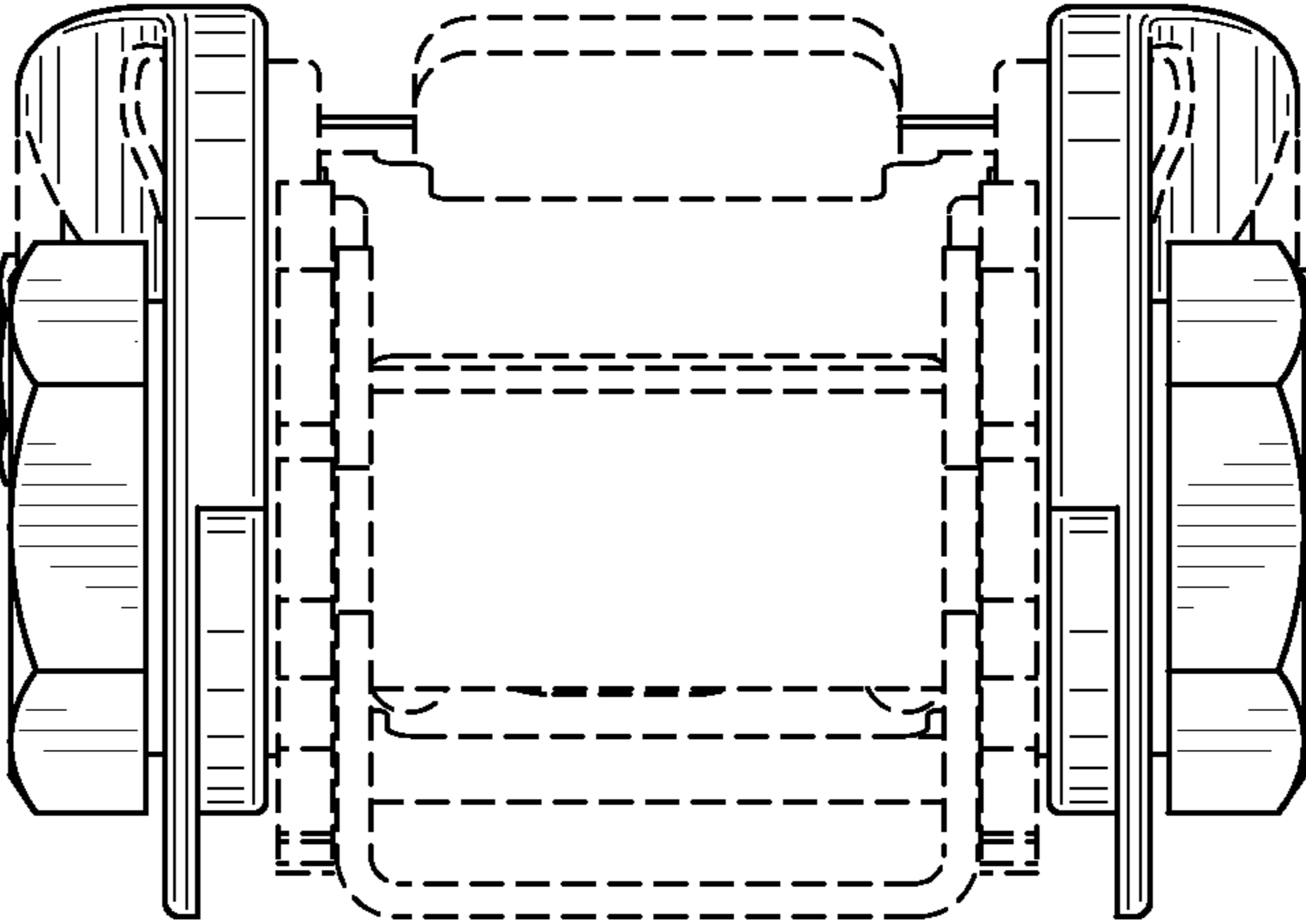


FIG. 5

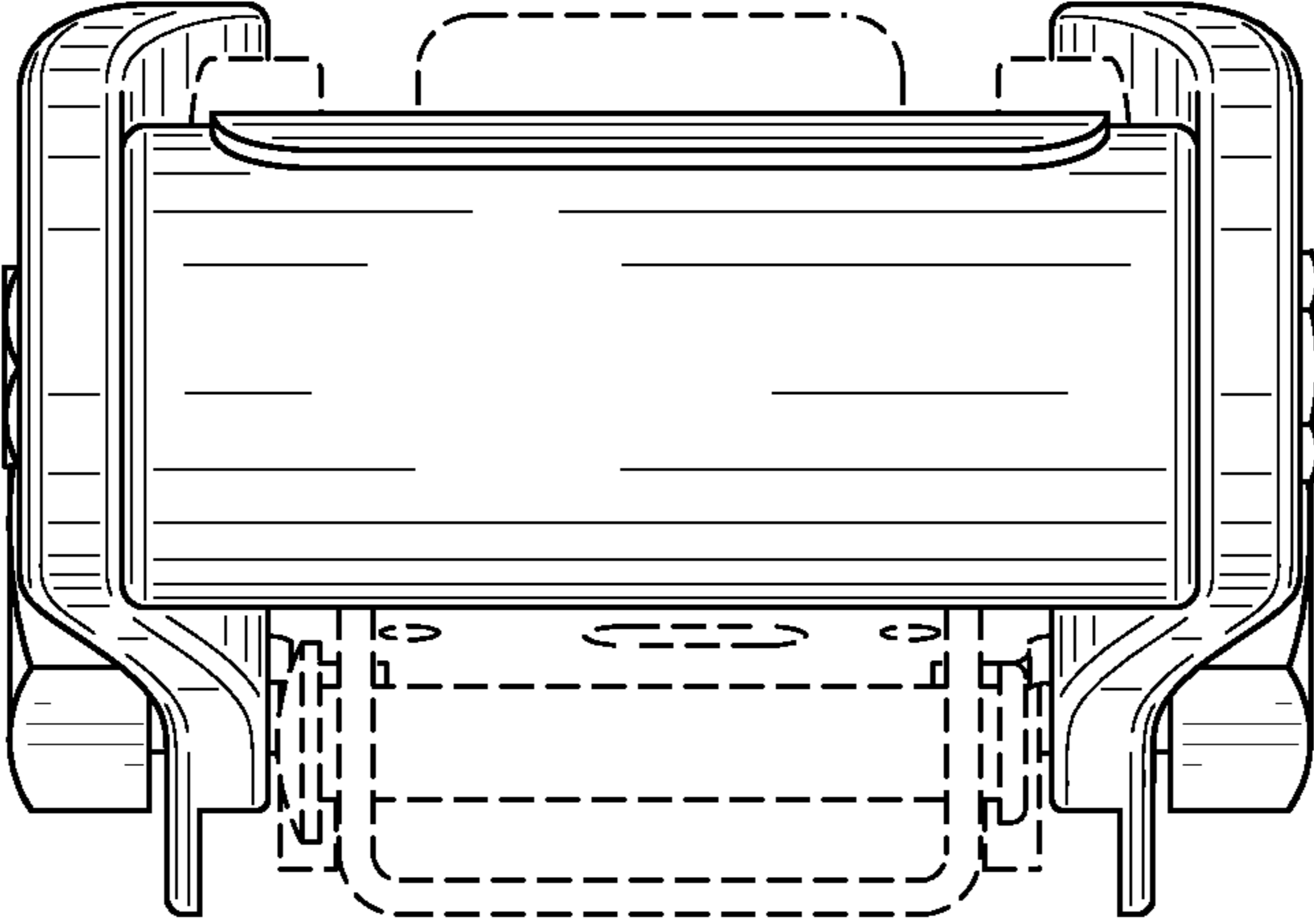


FIG. 6