



US00D686892S

(12) **United States Design Patent**
Cagle

(10) **Patent No.:** **US D686,892 S**
(45) **Date of Patent:** **** Jul. 30, 2013**

(54) **PINE STRAW EDGING DEVICE**

D636,548 S * 4/2011 Hoover D32/49
D670,548 S * 11/2012 Coutu D8/10

(76) Inventor: **Rhonda Cagle**, McDonough, GA (US)

* cited by examiner

(**) Term: **14 Years**

Primary Examiner — Sheryl Lane

(21) Appl. No.: **29/425,826**

(74) *Attorney, Agent, or Firm* — Ballard Spahr LLP

(22) Filed: **Jun. 27, 2012**

(57) **CLAIM**

The ornamental design for a pine straw edging device, as shown and described.

(51) **LOC (9) Cl.** **08-01**

(52) **U.S. Cl.**
USPC **D8/10**

DESCRIPTION

(58) **Field of Classification Search**
USPC D8/10; 294/49, 53.5, 54.5, 57, 55.5;
56/400.1; 172/371–372

See application file for complete search history.

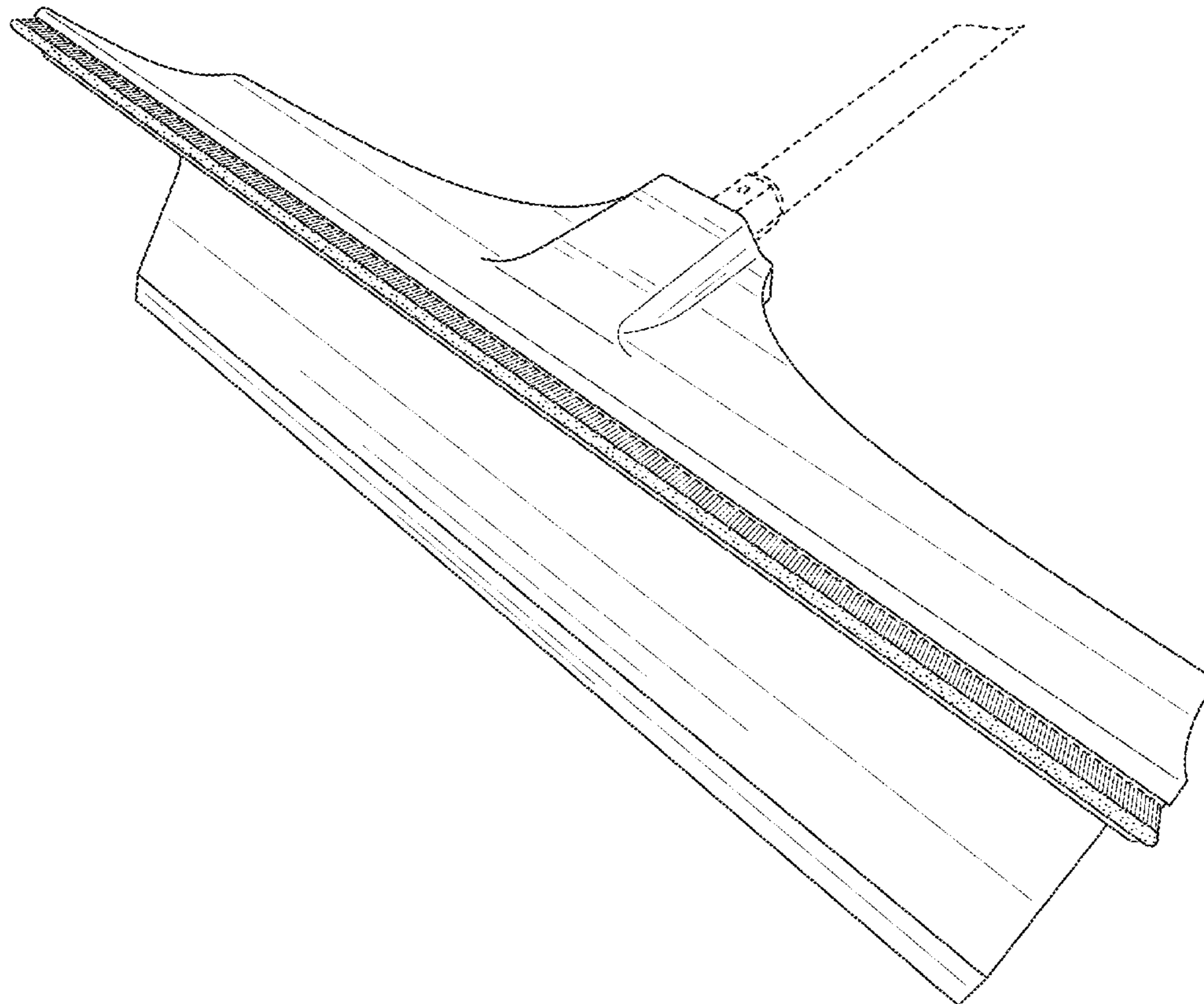
FIG. 1 is a perspective view of a pine straw edging device of the present invention;
FIG. 2 is a front elevational view of the edging device of FIG. 1;
FIG. 3 is a rear elevational view of the edging device of FIG. 1;
FIG. 4 is a left side elevational view of the edging device of FIG. 1;
FIG. 5 is a right side elevational view of the edging device of FIG. 1;
FIG. 6 is a top plan view of the edging device of FIG. 1; and,
FIG. 7 is a bottom plan view of the edging device of FIG. 1.
The broken lines represent portions of the edging device and form no part of the claimed design.

(56) **References Cited**

U.S. PATENT DOCUMENTS

D305,603	S	*	1/1990	Nelson et al.	D15/11
6,944,980	B1	*	9/2005	Lefrancois	37/285
D553,921	S	*	10/2007	Melady	D8/10
D586,192	S	*	2/2009	Chesness	D8/10
D598,256	S	*	8/2009	Chesness	D8/10
D602,318	S	*	10/2009	Chesness	D8/10
D617,158	S	*	6/2010	Smith	D8/10
D626,803	S	*	11/2010	Coutu	D8/10
D632,532	S	*	2/2011	Coutu	D8/10

1 Claim, 7 Drawing Sheets



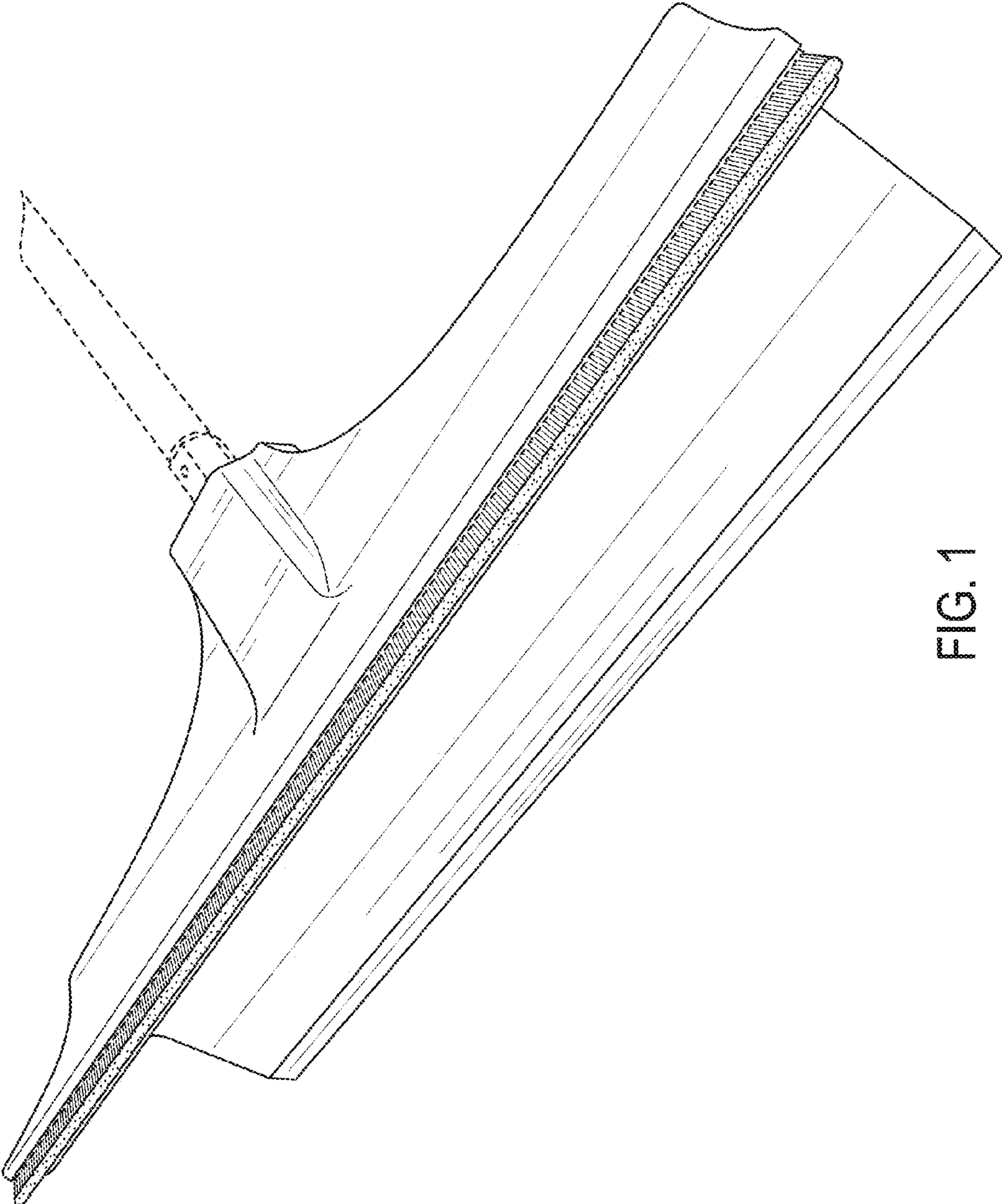


FIG. 1

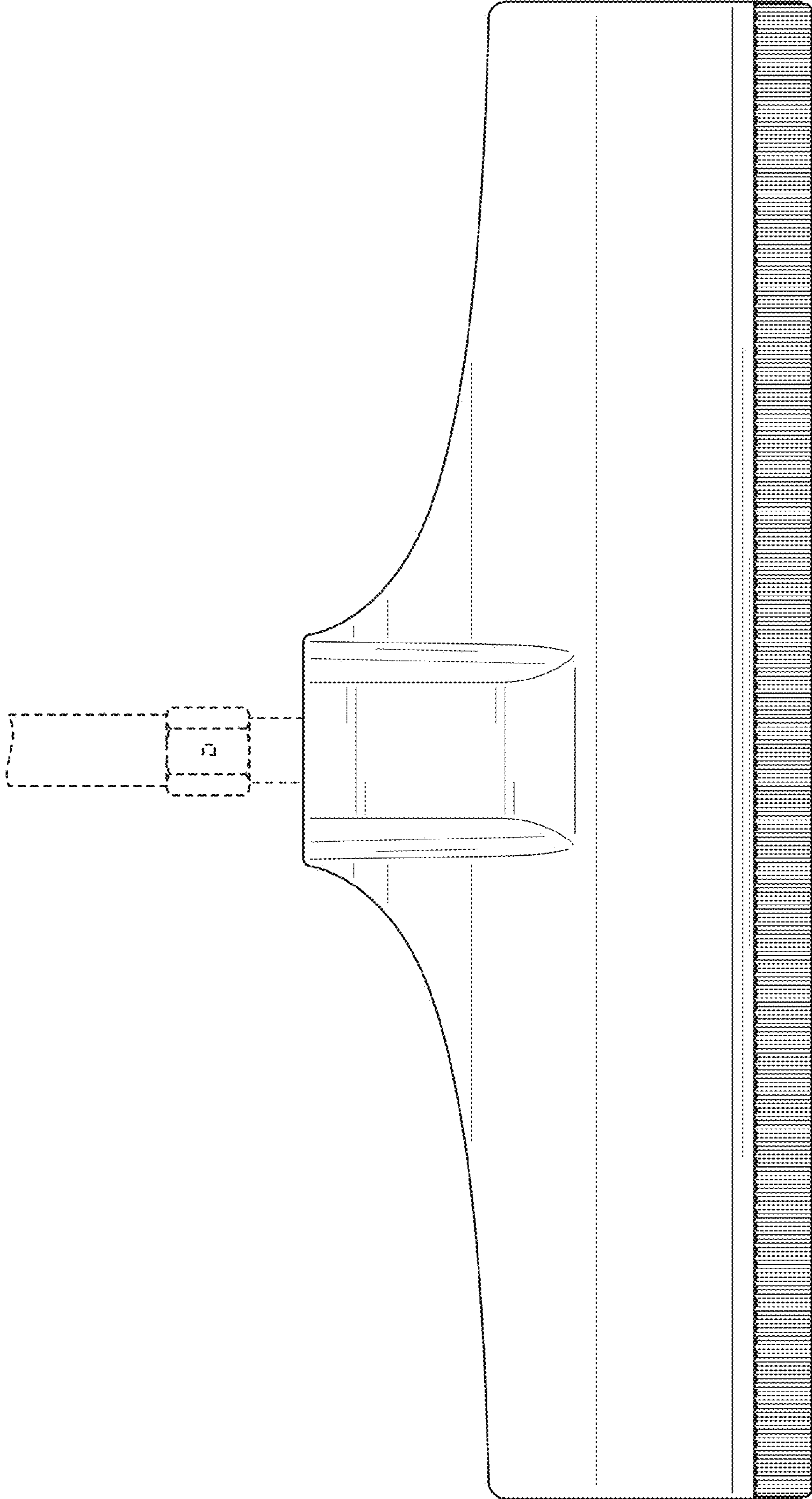


FIG. 2

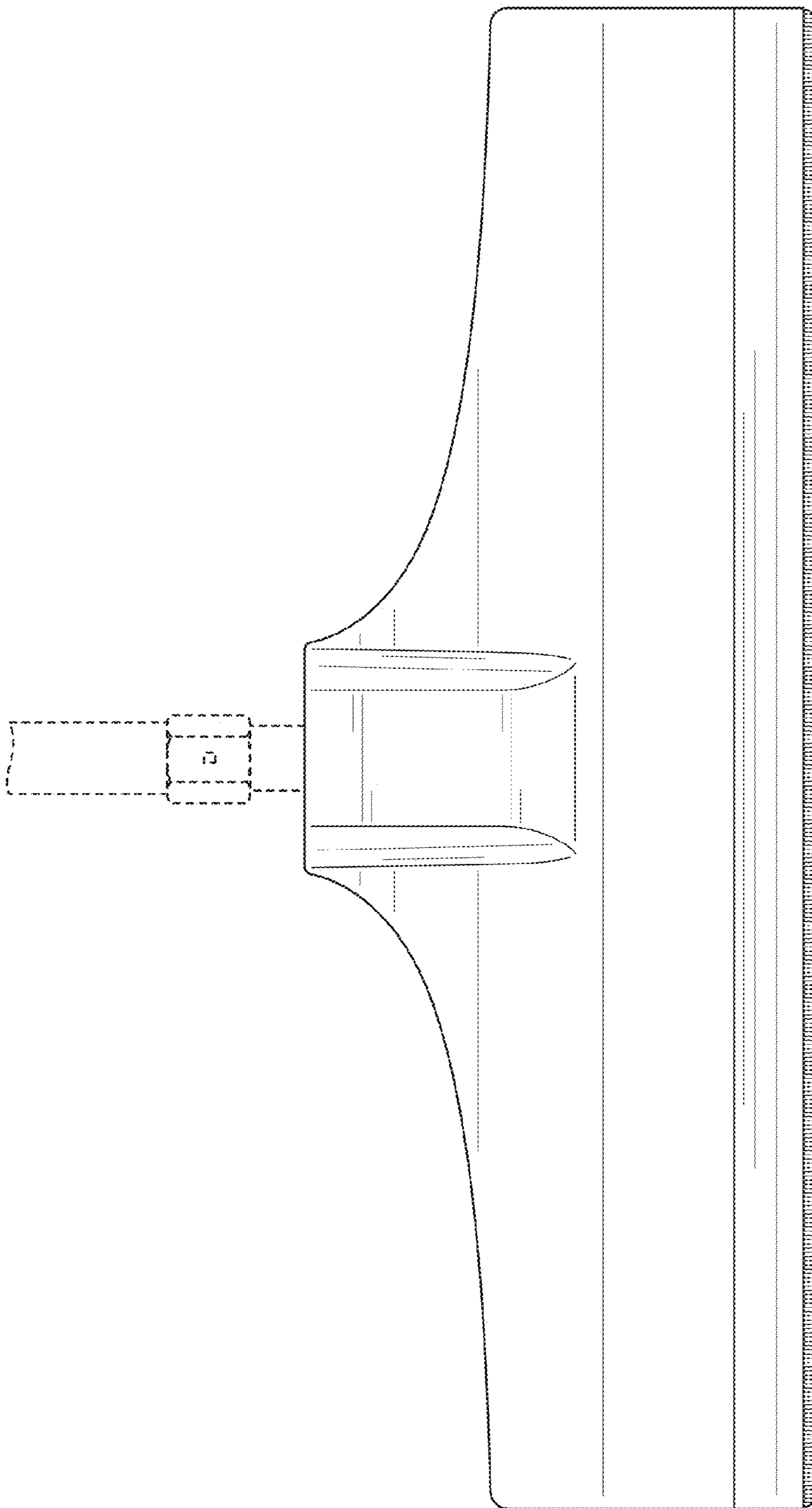


FIG. 3

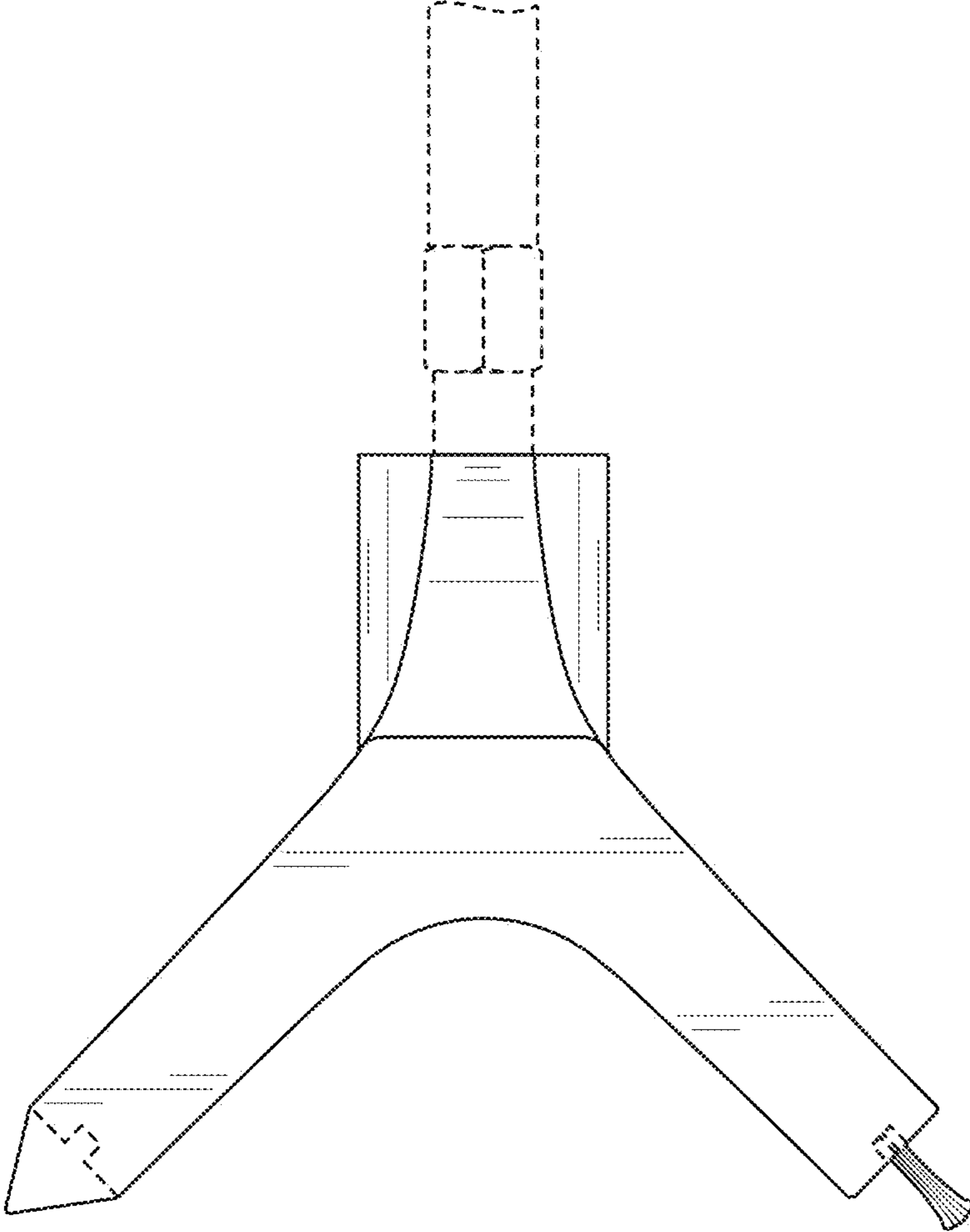


FIG. 4

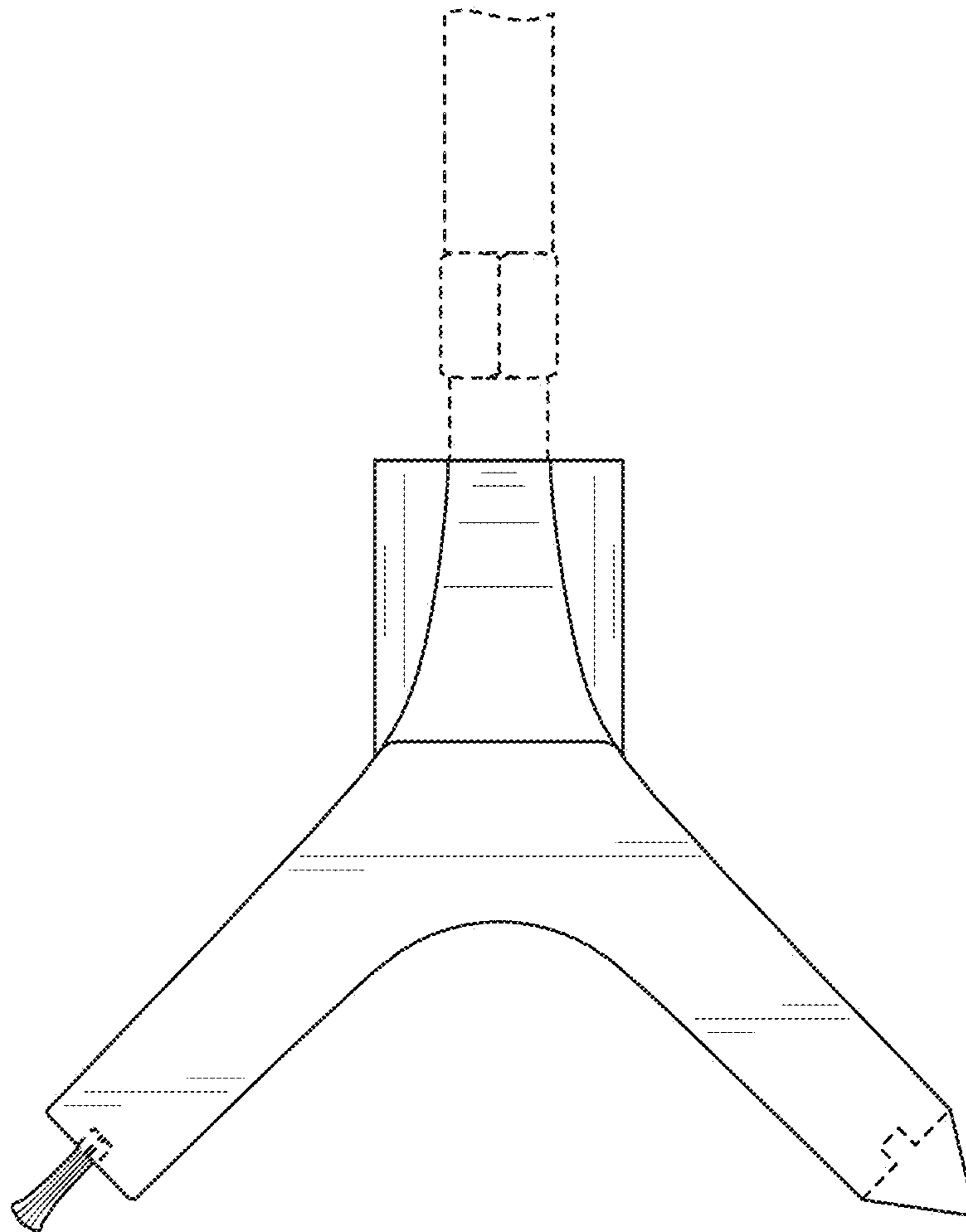


FIG. 5

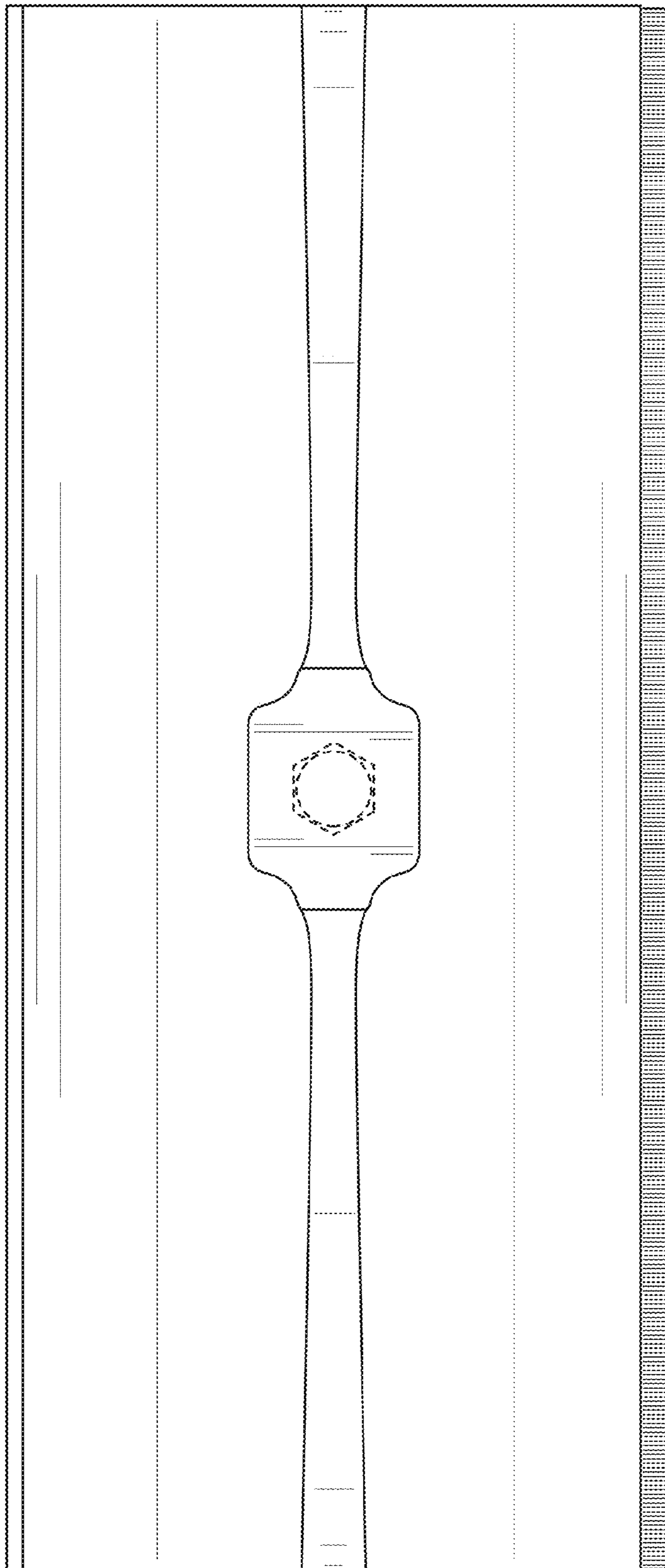


FIG. 6

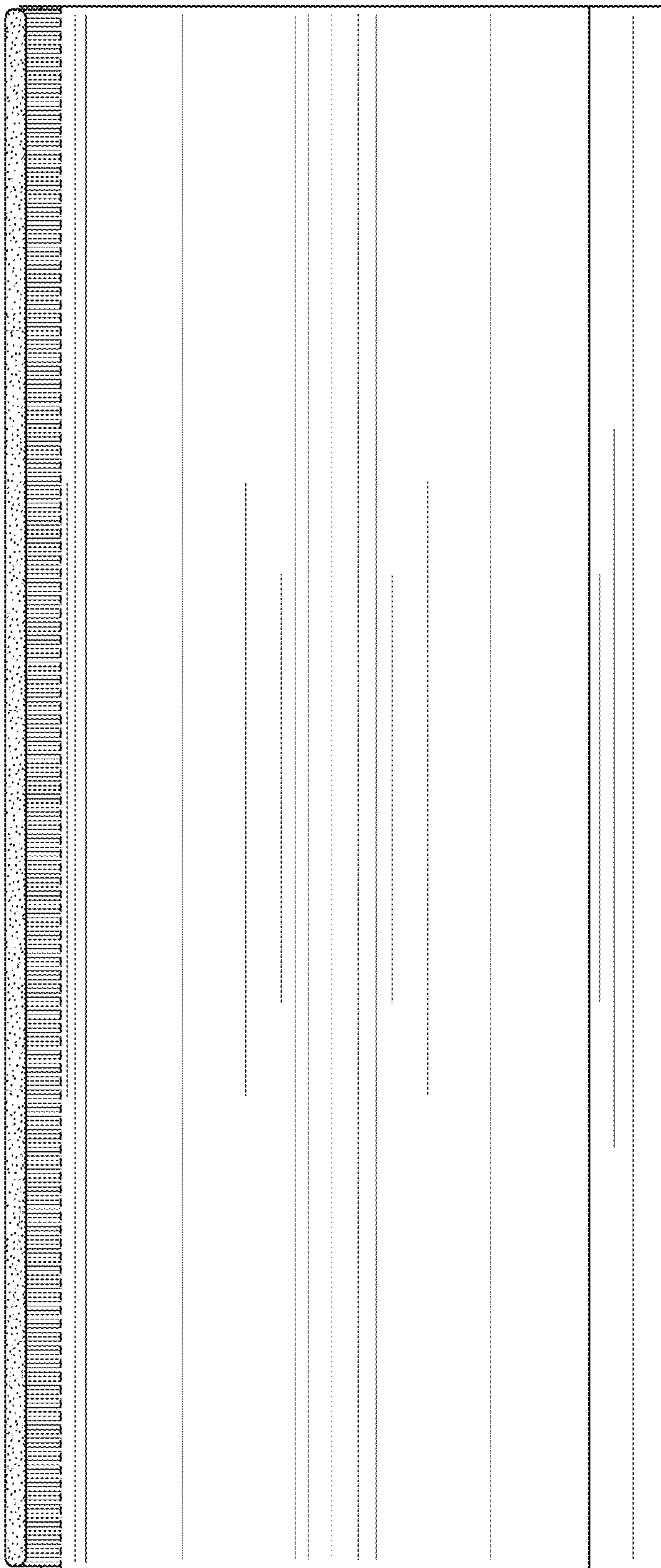


FIG. 7