



US00D686890S

(12) **United States Design Patent**  
**Mossak**

(10) **Patent No.:** **US D686,890 S**

(45) **Date of Patent:** **\*\* Jul. 30, 2013**

(54) **TOASTING FORK**

(76) Inventor: **Julianne Mossak**, Minneapolis, MN  
(US)

(\*\*) Term: **14 Years**

(21) Appl. No.: **29/421,238**

(22) Filed: **Jun. 18, 2012**

(51) **LOC (9) Cl.** ..... **07-06**

(52) **U.S. Cl.**  
USPC ..... **D7/684**

(58) **Field of Classification Search**  
USPC ..... D7/671, 642, 653, 368, 669, 688,  
D7/689, 690, 691, 692, 401.2, 412, 66, 2,  
D7/664, 654, 686; D8/14, 16, 47; 99/419;  
30/322, 142, 147, 148, 150, 164.8, 164.5;  
294/61

See application file for complete search history.

(56) **References Cited**

U.S. PATENT DOCUMENTS

D192,256 S *	2/1962	Ackerson .....	D7/686
D541,113 S *	4/2007	West et al. ....	D7/684
D541,114 S *	4/2007	West et al. ....	D7/684
D592,021 S *	5/2009	Heintzinger .....	D7/684
D592,467 S *	5/2009	Heintzinger .....	D7/684

\* cited by examiner

*Primary Examiner* — Ian Simmons

*Assistant Examiner* — Eleni H Aldridge

(74) *Attorney, Agent, or Firm* — Felix J. Sahlin

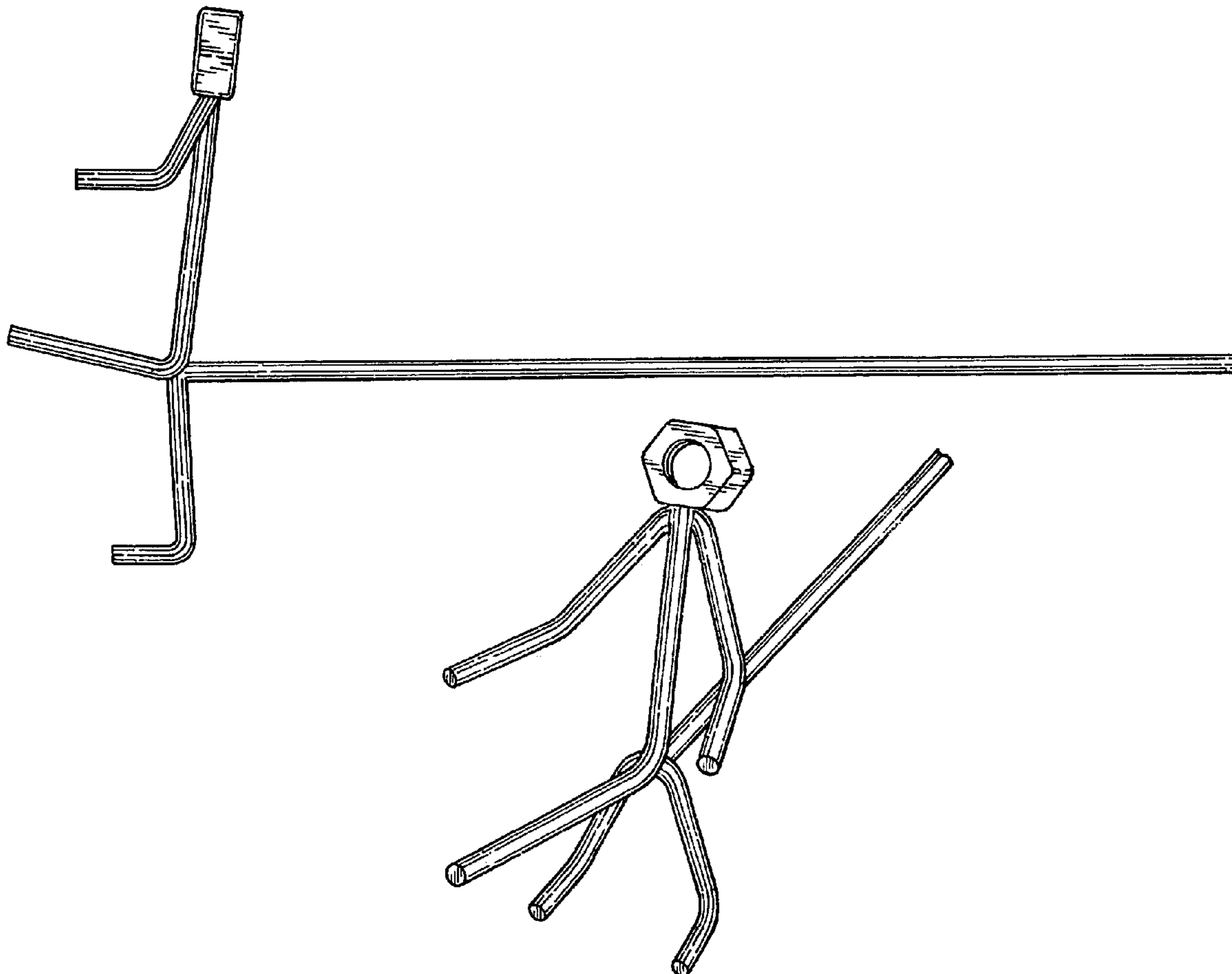
(57) **CLAIM**

The ornamental design for a toasting fork, as shown.

**DESCRIPTION**

FIG. 1 showing a top plan view of the toasting fork showing my new design;  
FIG. 2 is a side elevational view thereof;  
FIG. 3 is a left perspective view thereof; and,  
FIG. 4 is a front elevational view thereof.

**1 Claim, 2 Drawing Sheets**



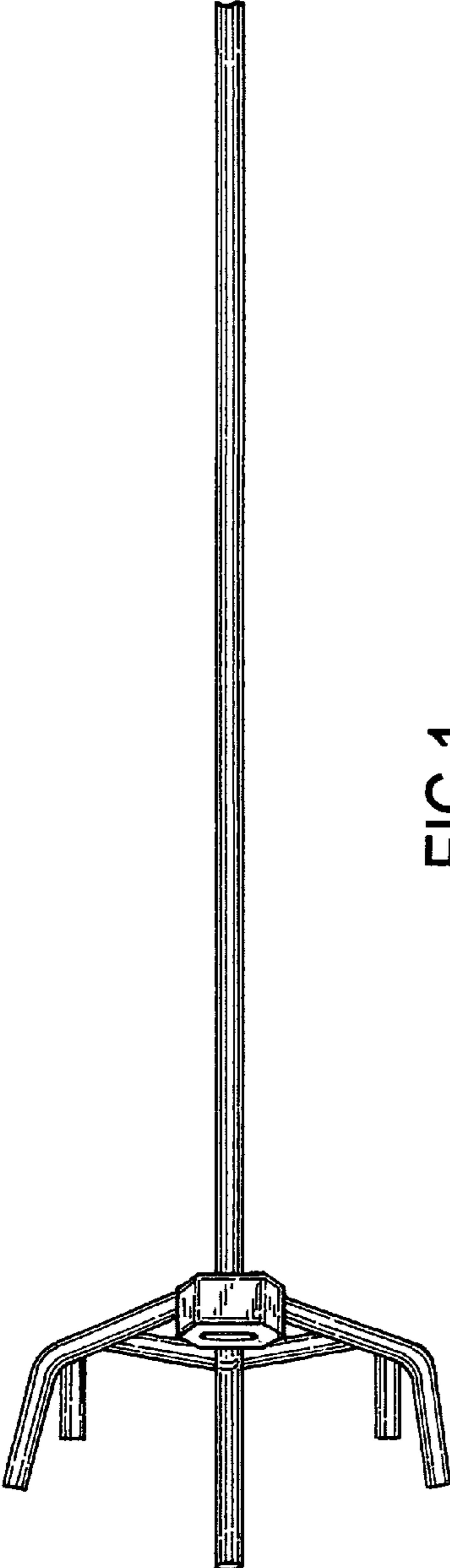


FIG.1

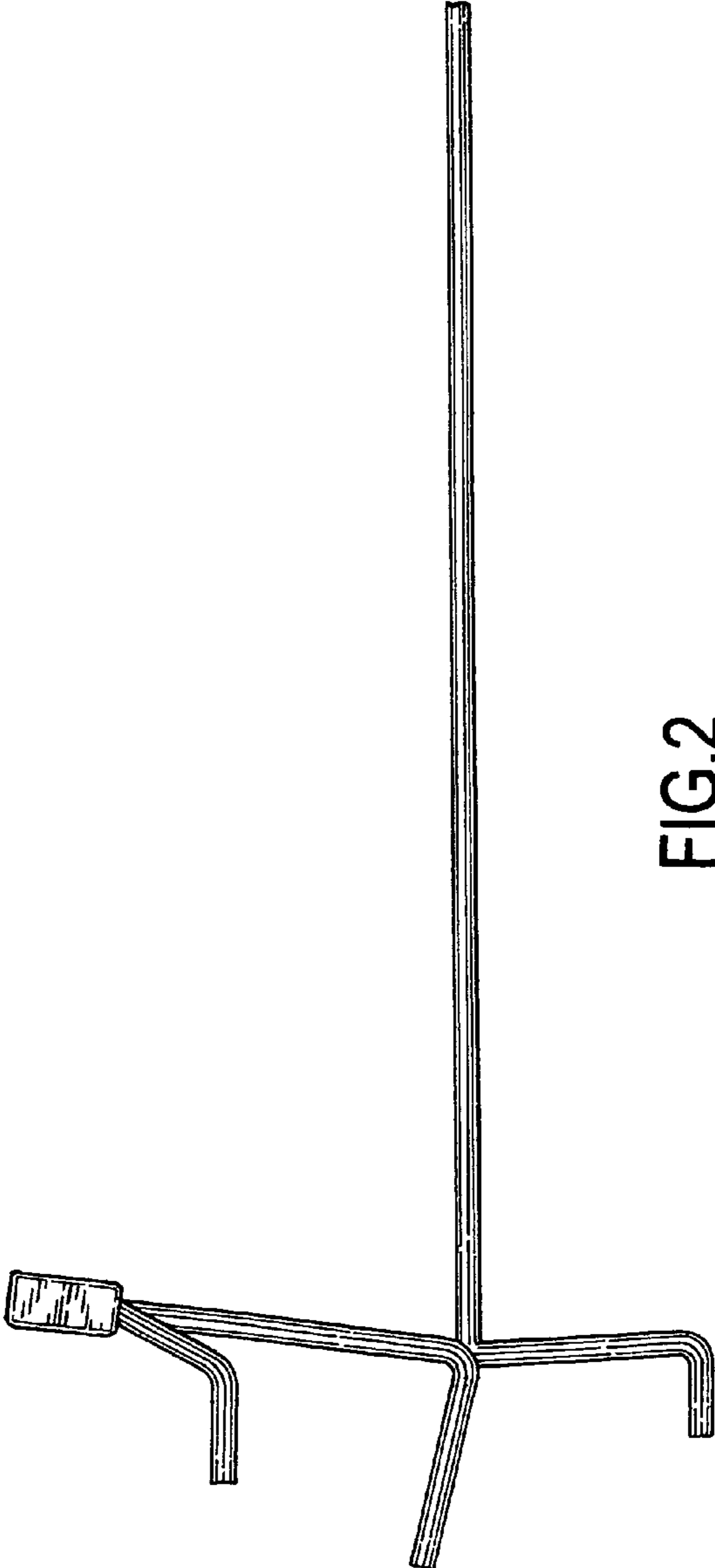


FIG.2

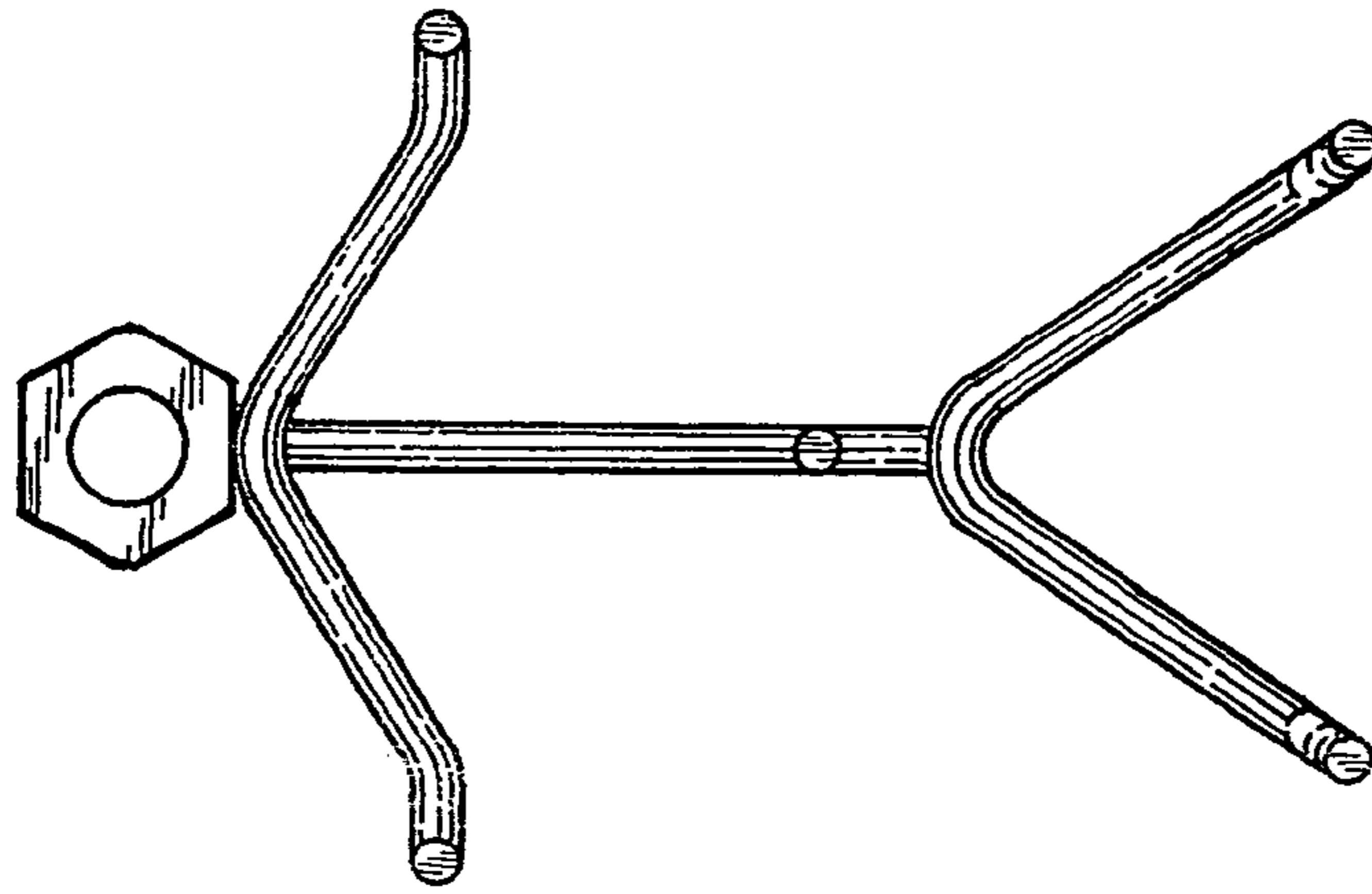


FIG.4

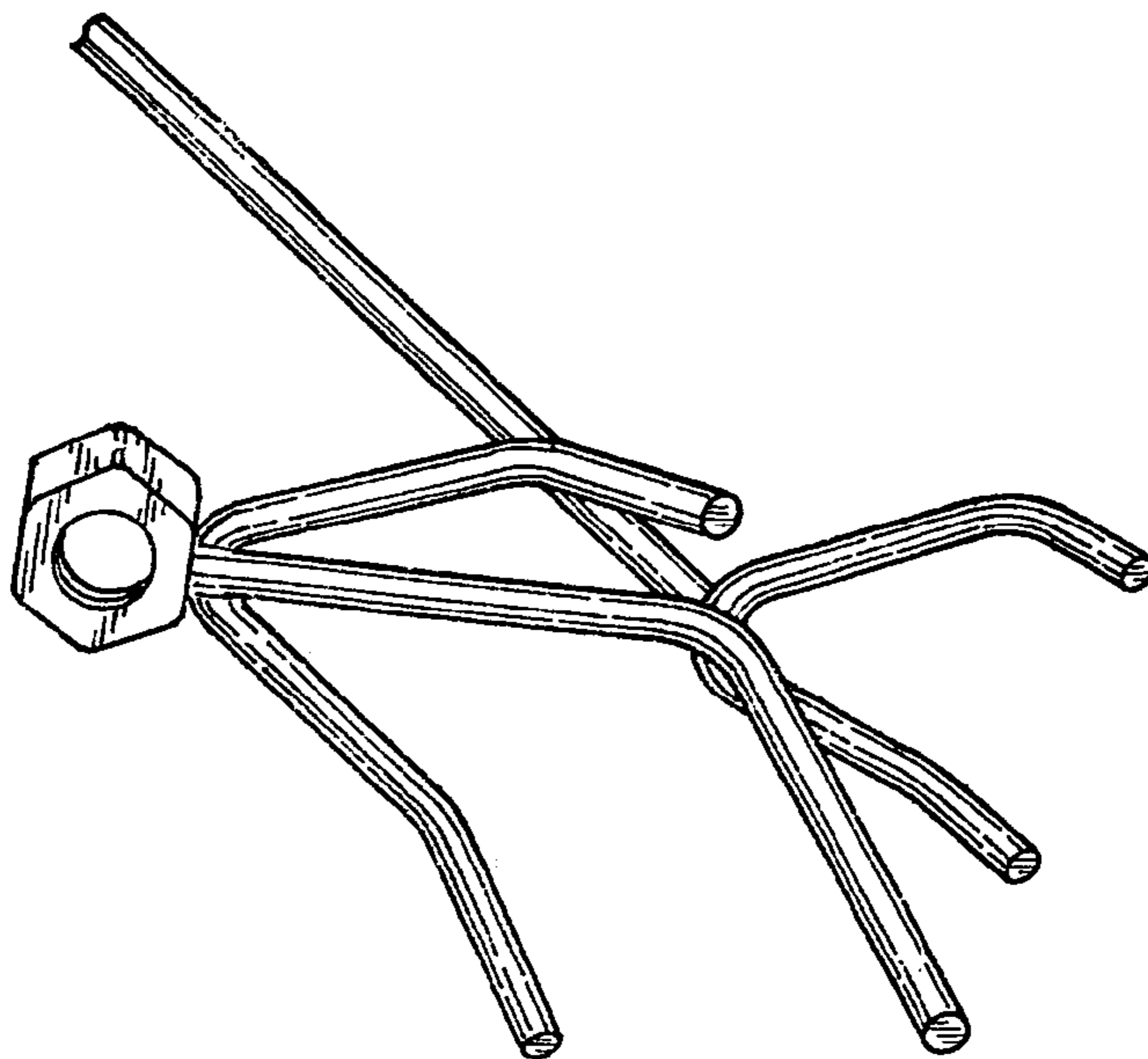


FIG.3