



US00D686884S

(12) **United States Design Patent**
Carter

(10) **Patent No.:** **US D686,884 S**

(45) **Date of Patent:** **** Jul. 30, 2013**

(54) **DRINK HOLDER**

(76) Inventor: **Kevin Carter**, Toronto (CA)

(**) Term: **14 Years**

(21) Appl. No.: **29/432,049**

(22) Filed: **Sep. 13, 2012**

(51) **LOC (9) Cl.** **07-06**

(52) **U.S. Cl.**
USPC **D7/625**

(58) **Field of Classification Search**
USPC D7/619.1-625, 606, 604, 514, 515;
220/915.1, 915.2, 902, 903; 62/457.1-457.9,
62/371, 372; 428/11, 542.4; D9/600, 668
See application file for complete search history.

(56) **References Cited**

U.S. PATENT DOCUMENTS

4,164,284	A	*	8/1979	Witt et al.	206/217
D351,971	S	*	11/1994	Cappola	D7/625
D402,198	S	*	12/1998	Schultz et al.	D9/668
D411,715	S	*	6/1999	Hansen	D7/606
D425,757	S	*	5/2000	Printz et al.	D7/510
D433,880	S	*	11/2000	Herrera	D7/625
D442,833	S	*	5/2001	Shuman	D7/608

D452,120	S	*	12/2001	Brangle et al.	D7/606
D511,212	S	*	11/2005	Whalen	D24/197
D541,111	S	*	4/2007	Morgan et al.	D7/625
D587,968	S	*	3/2009	Campbell	D7/510

* cited by examiner

Primary Examiner — Terry Wallace

(74) *Attorney, Agent, or Firm* — Lorelei G. Graham

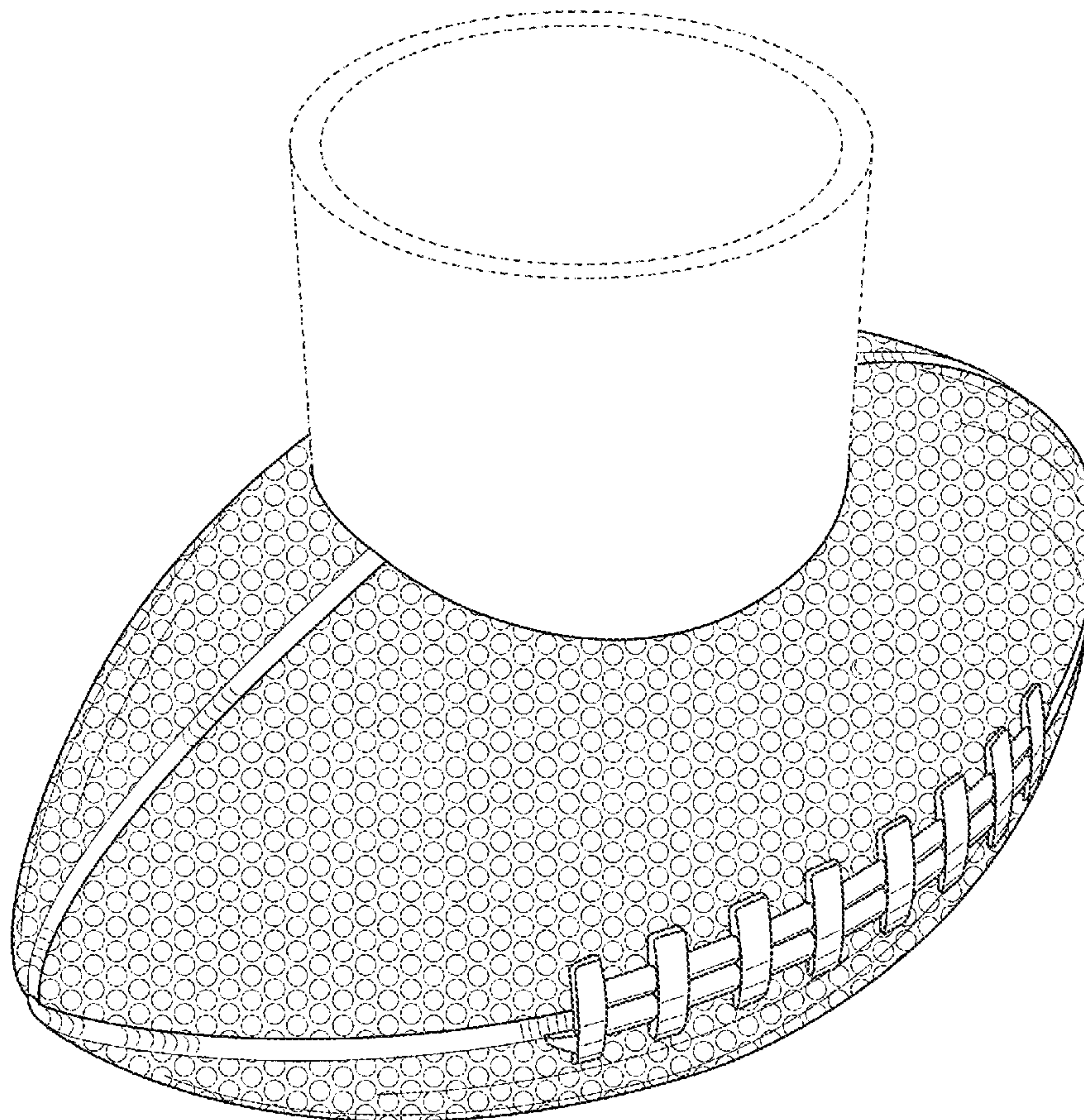
(57) **CLAIM**

The ornamental design for a drink holder, as shown and described.

DESCRIPTION

FIG. 1 is a front perspective view of the drink holder.
FIG. 2 is a front perspective view of the drink holder.
FIG. 3 is a bottom perspective view of the drink holder.
FIG. 4 is a left plan view of the drink holder.
FIG. 5 is a front plan view of the drink holder.
FIG. 6 is a right side view of the drink holder.
FIG. 7 is a back plan view of the drink holder.
FIG. 8 is a top plan view of the drink holder; and,
FIG. 9 is a bottom plan view of the drink holder.
The broken lines of the cup have been used for clarity of illustration and form no part of the claimed design.

1 Claim, 9 Drawing Sheets



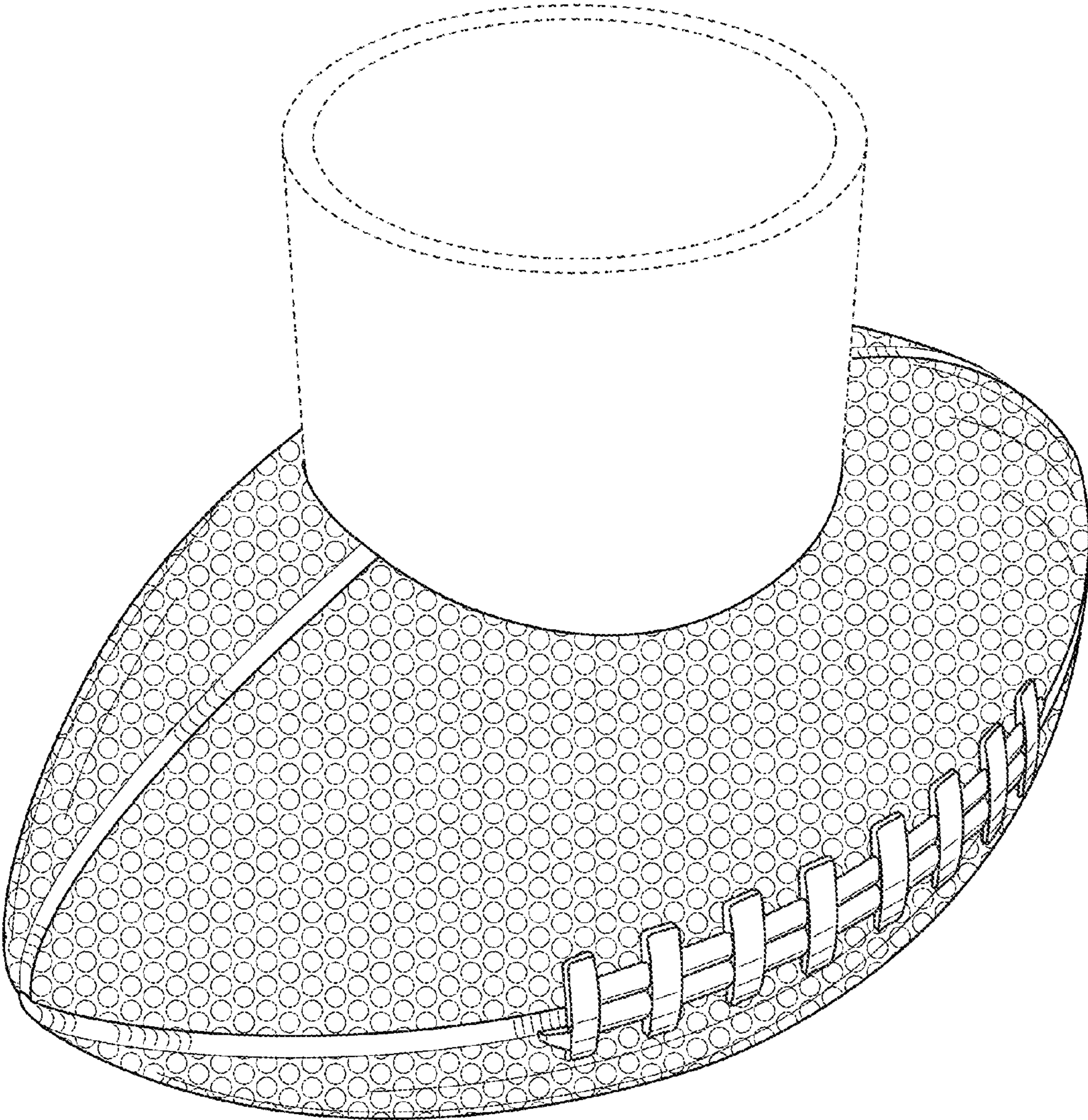


FIG. 1

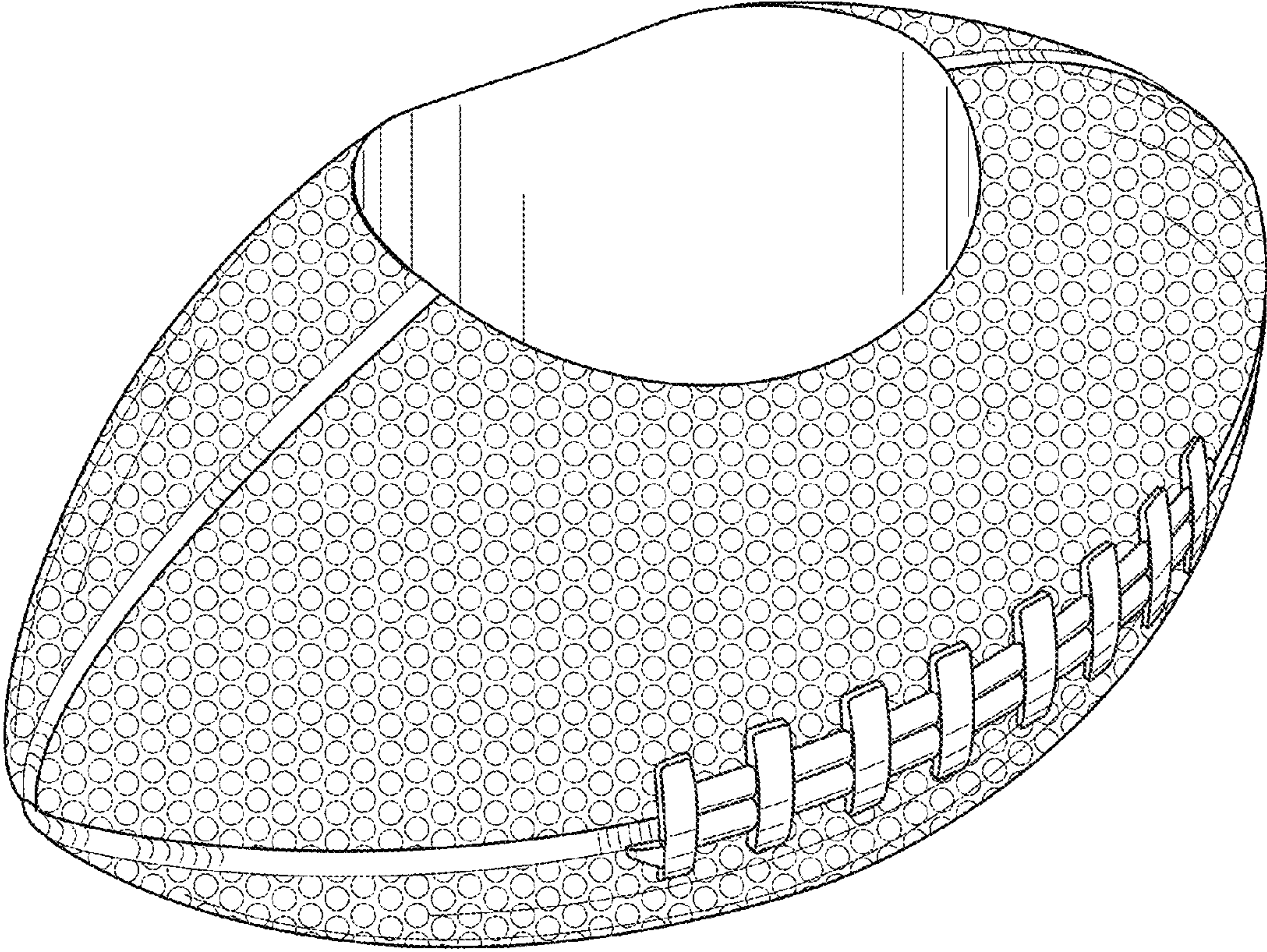


FIG. 2

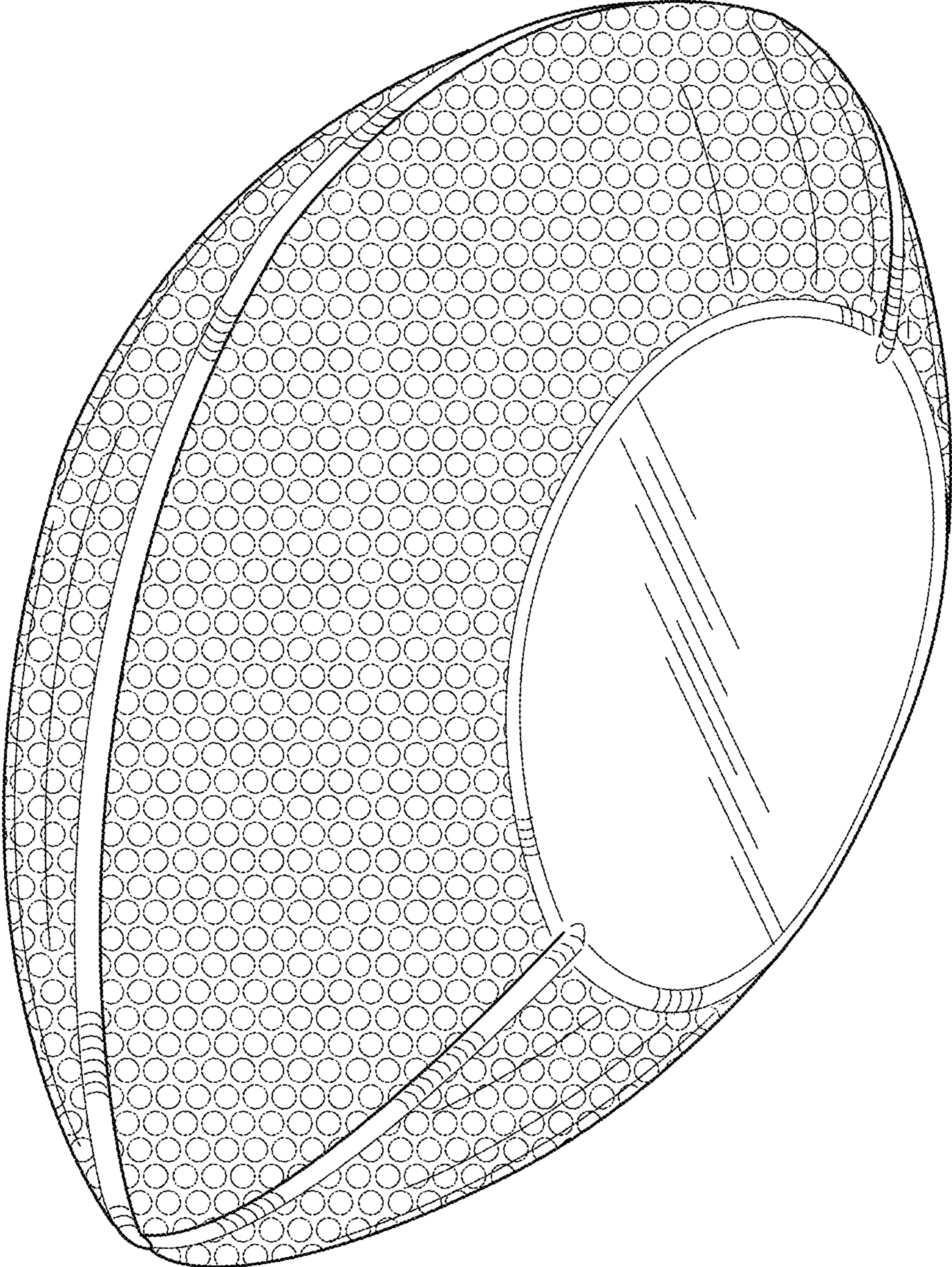


FIG. 3

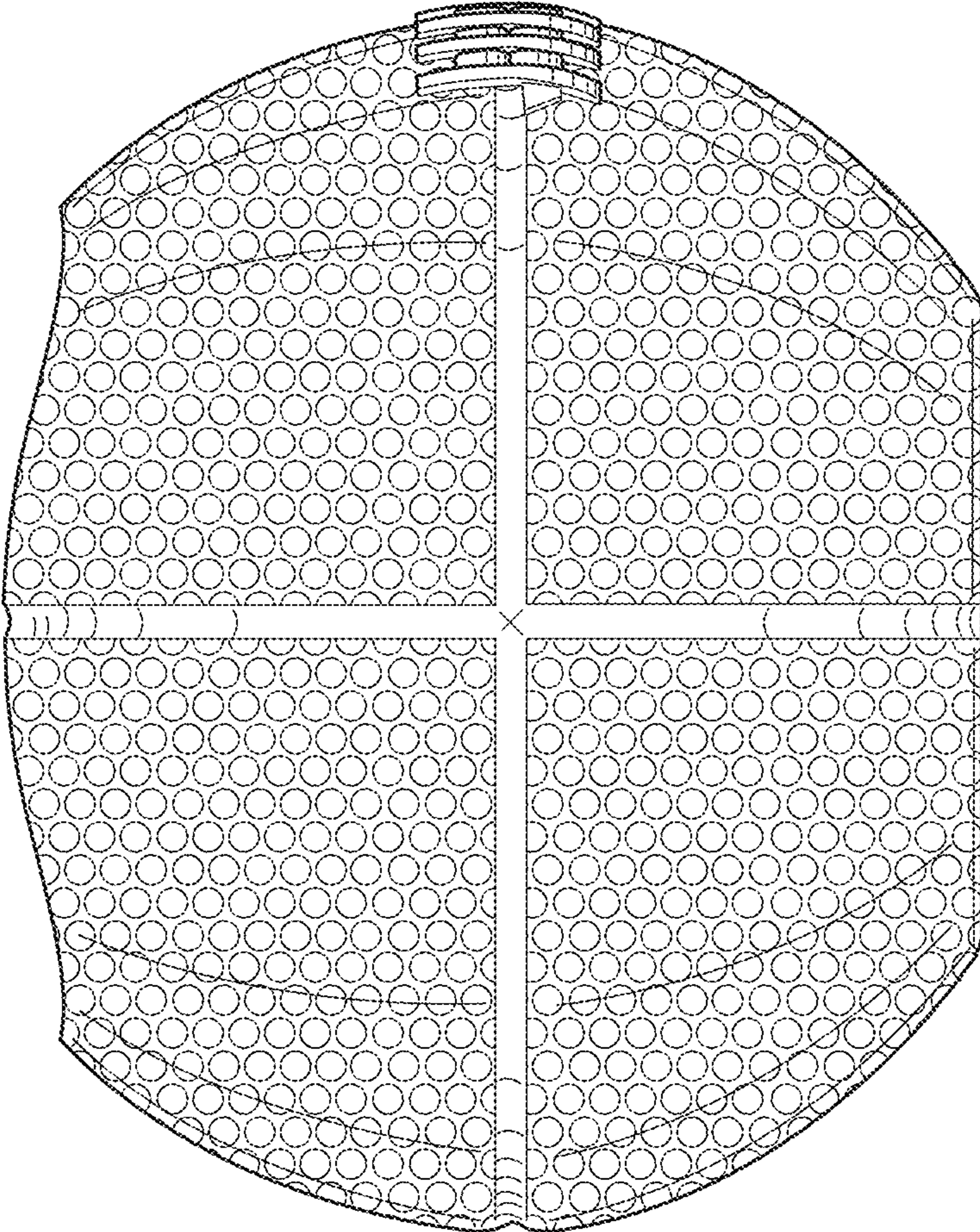


FIG. 4

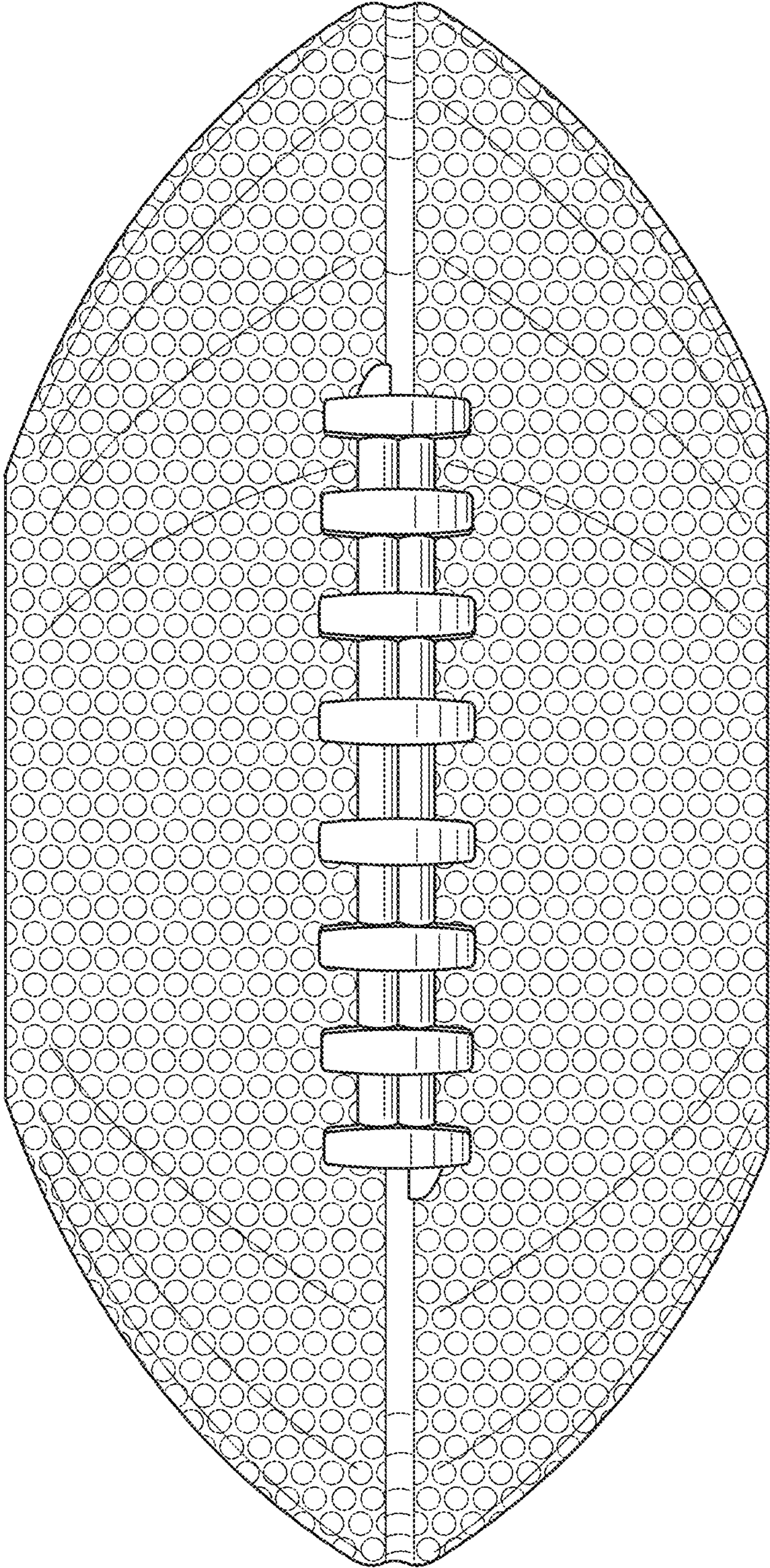


FIG. 5

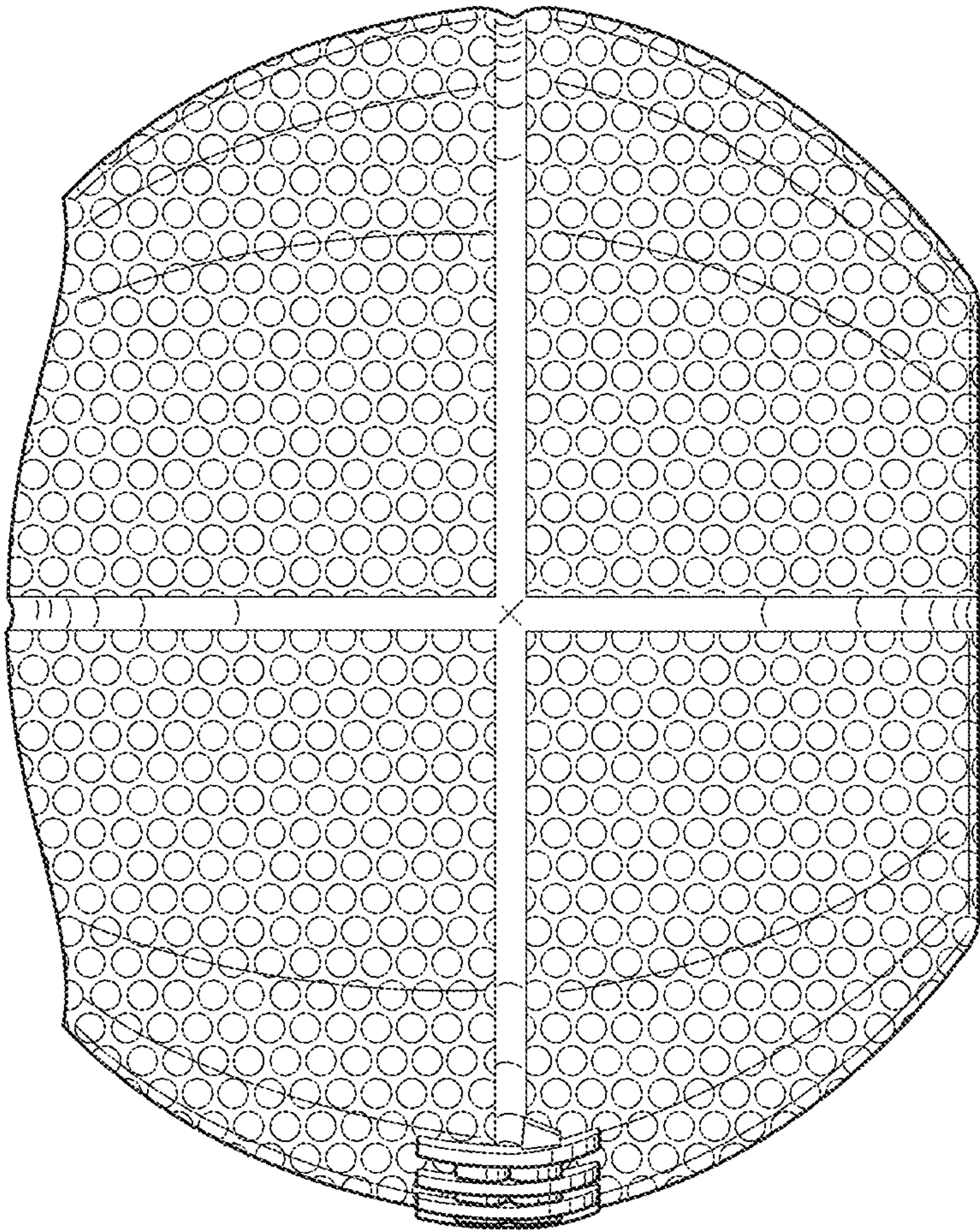


FIG. 6

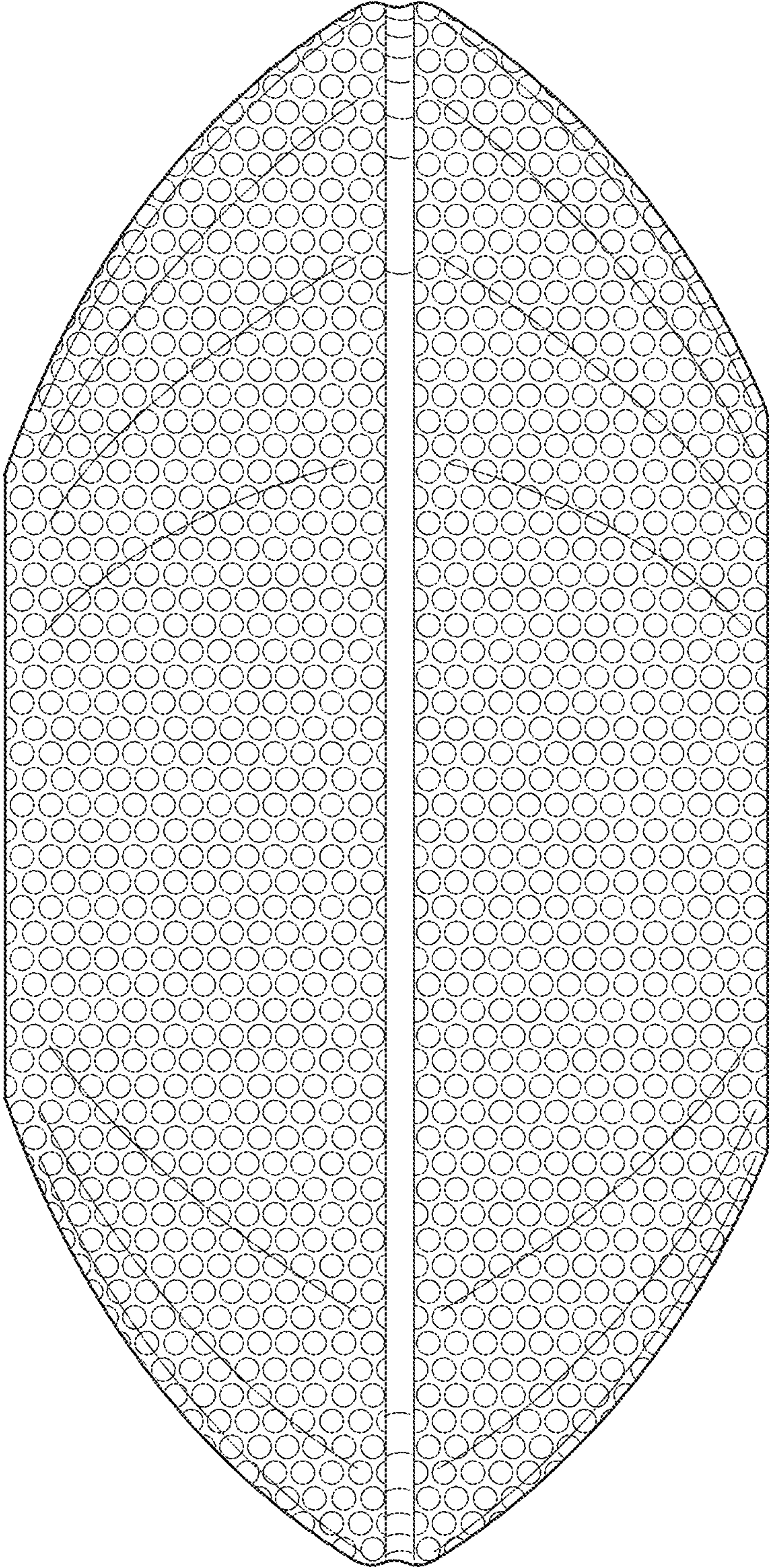


FIG. 7

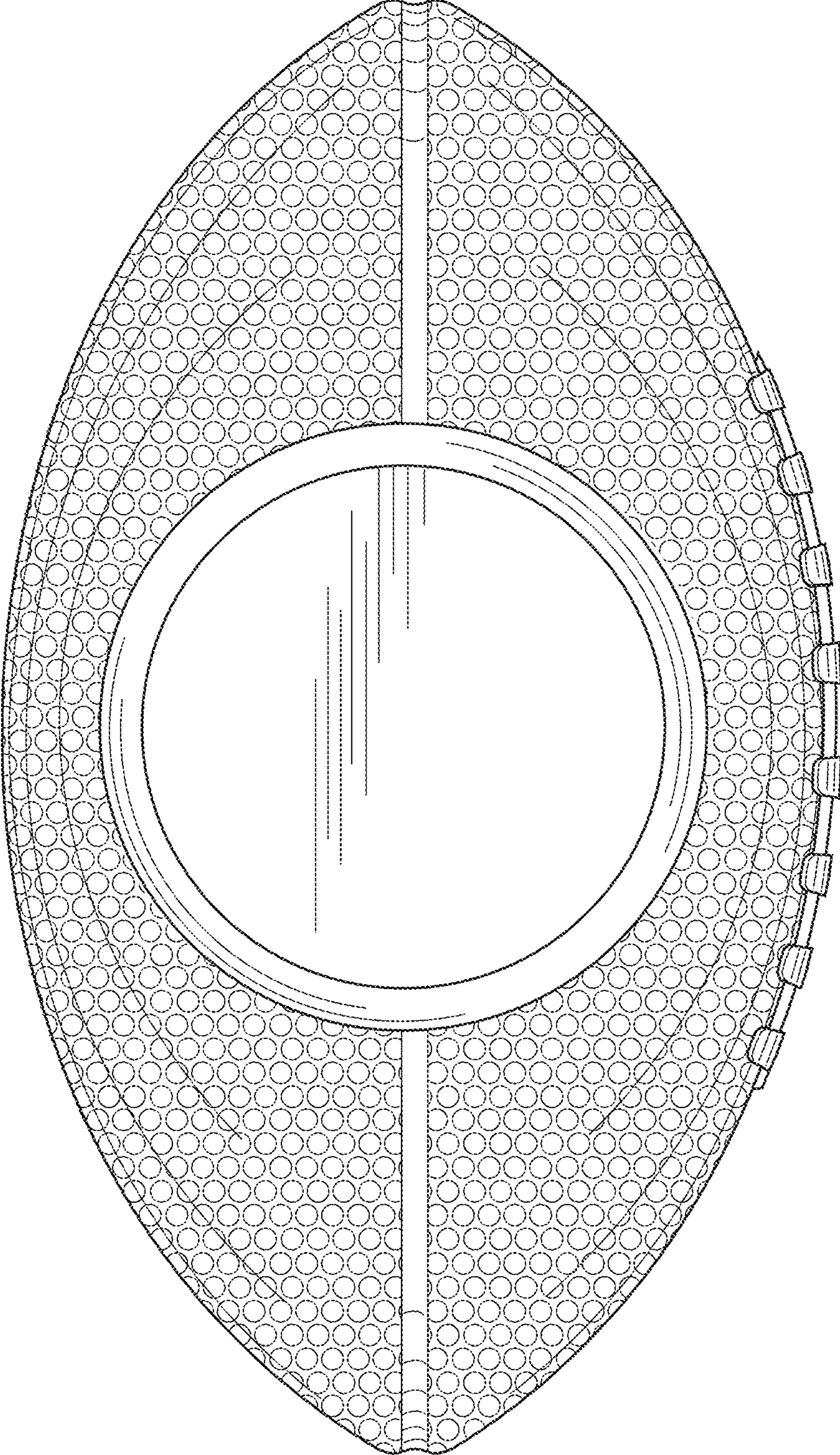


FIG. 8

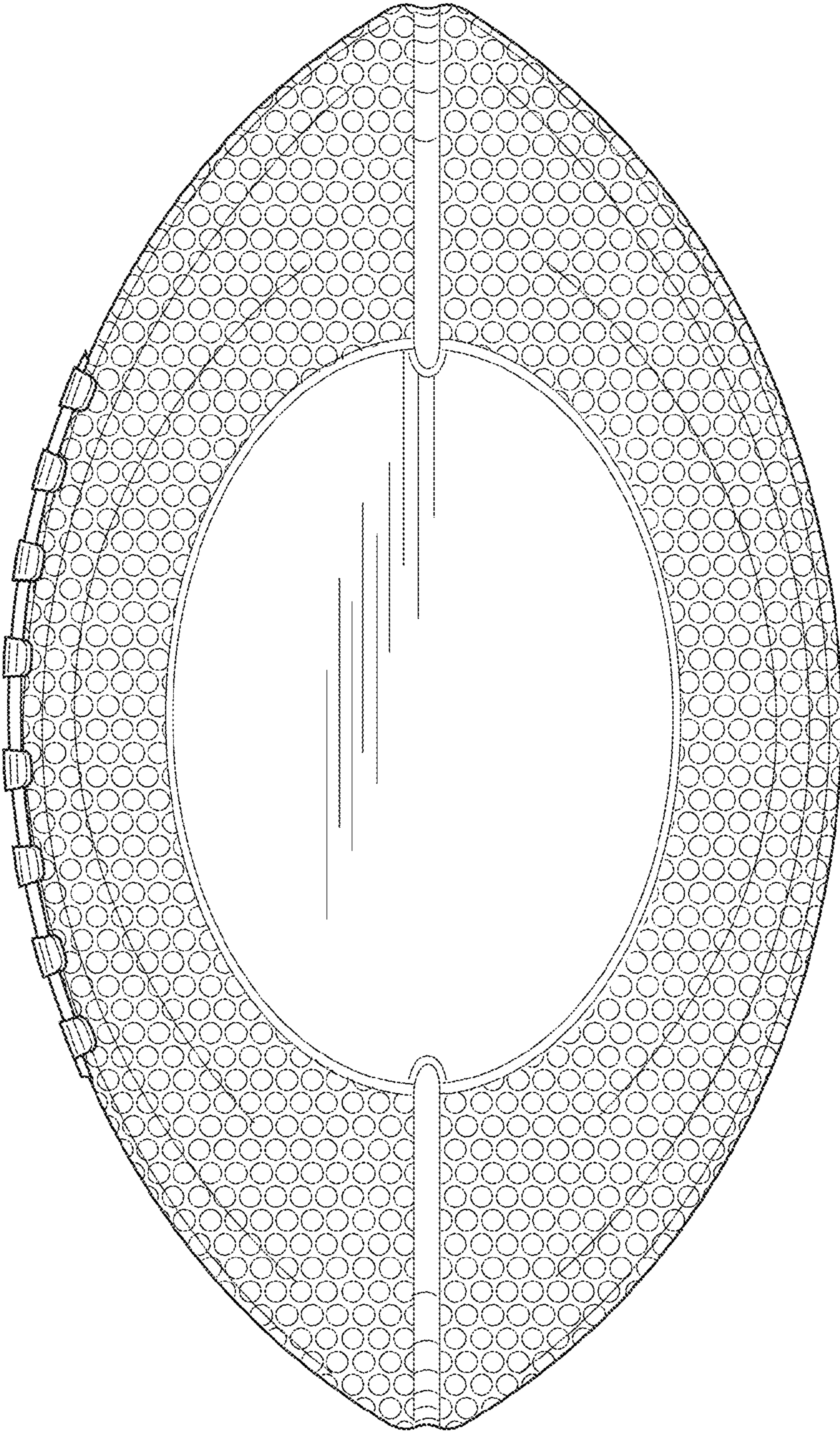


FIG. 9