



US00D686879S

(12) **United States Design Patent**
Ichikawa et al.

(10) **Patent No.:** **US D686,879 S**
(45) **Date of Patent:** **** Jul. 30, 2013**

(54) **GAS LIGHTER**

(75) Inventors: **Toshihiro Ichikawa**, Tokyo (JP); **Hideto Usui**, Tokyo (JP)

(73) Assignee: **Tokai Corporation**, Tokyo (JP)

(**) Term: **14 Years**

(21) Appl. No.: **29/421,022**

(22) Filed: **May 4, 2012**

(51) **LOC (9) Cl.** **07-01**

(52) **U.S. Cl.**
USPC **D7/416**

(58) **Field of Classification Search**
USPC D7/416, 417; 417/411; 431/153,
431/255; D27/154, 147
See application file for complete search history.

(56) **References Cited**

U.S. PATENT DOCUMENTS

4,810,173	A	*	3/1989	Thomson et al.	417/411
D360,557	S	*	7/1995	Ono et al.	D7/416
D382,441	S	*	8/1997	Ferrara, Jr.	D7/416
D382,443	S	*	8/1997	Ferrara, Jr.	D7/416
D386,045	S	*	11/1997	Ferrara, Jr.	D7/416
D393,396	S	*	4/1998	Ferrara, Jr.	D7/416
D410,363	S	*	6/1999	Tubby et al.	D7/416
D424,372	S	*	5/2000	Chevalier	D7/416
6,086,360	A	*	7/2000	McDonough et al.	431/255
D437,732	S	*	2/2001	Chevalier	D7/416
D444,998	S	*	7/2001	Inoue	D7/416

D447,914	S	*	9/2001	Tubby	D7/416
6,491,515	B1	*	12/2002	Tubby et al.	431/153
D495,205	S	*	8/2004	Zhou	D7/416

* cited by examiner

Primary Examiner — Marianne Pandozzi

(74) *Attorney, Agent, or Firm* — Franklin E. Gibbs

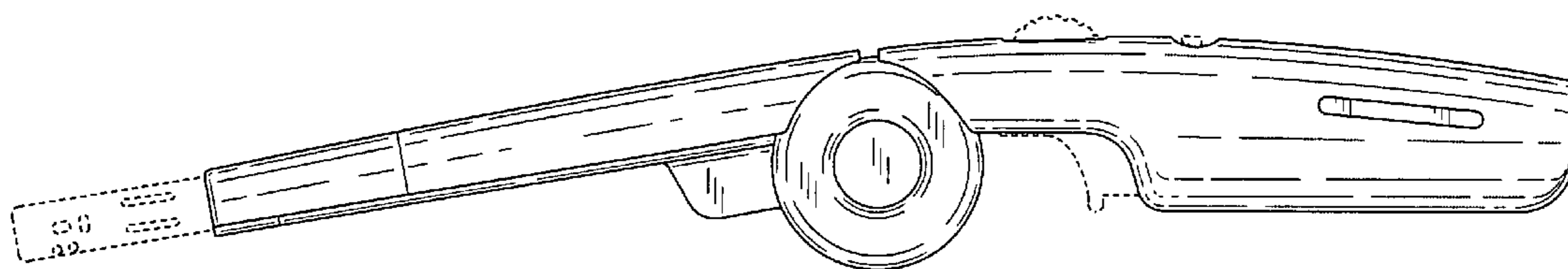
(57) **CLAIM**

The ornamental design for a gas lighter, as shown and described.

DESCRIPTION

FIG. 1 is a top plan view of a gas lighter showing my new design;
FIG. 2 is a side view thereof;
FIG. 3 is a bottom view thereof;
FIG. 4 is another side view thereof;
FIG. 5 is an enlarged rear view thereof;
FIG. 6 is an enlarged front view thereof;
FIG. 7 is a top view in a closed position thereof;
FIG. 8 is side view in a closed position thereof;
FIG. 9 is bottom view in a closed position thereof;
FIG. 10 is another side view in a closed position thereof;
FIG. 11 is another front view in a closed position thereof;
FIG. 12 is another back view in a closed position thereof;
FIG. 13 is a perspective view in open position thereof; and,
FIG. 14 is a perspective side view in a closed position thereof.
The broken lines in the drawings are included for the purpose of illustration and form no part of the claimed design.

1 Claim, 5 Drawing Sheets



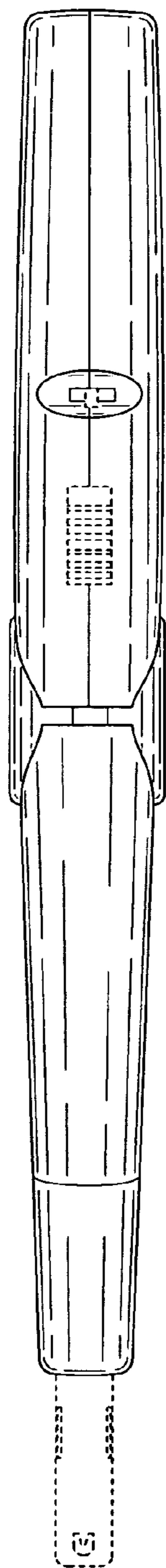


Fig. 1

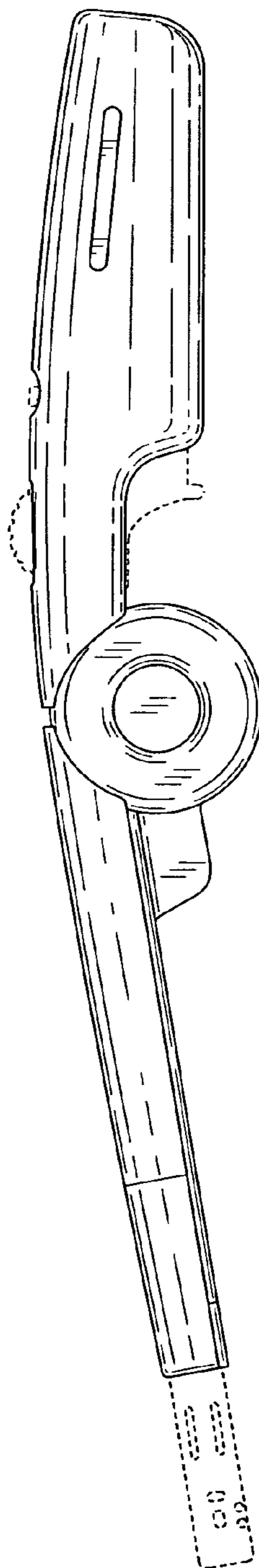


Fig. 2

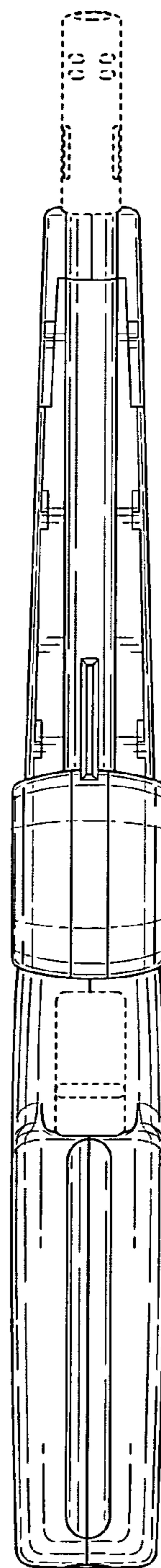


Fig. 3

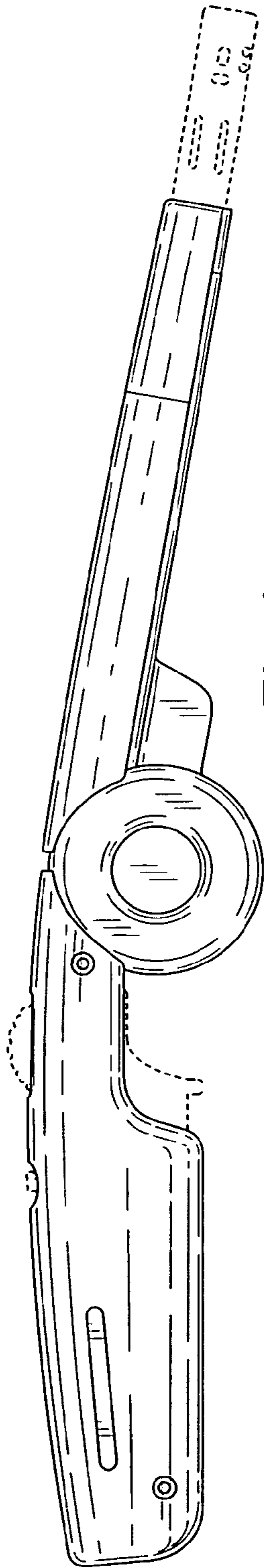


Fig. 4

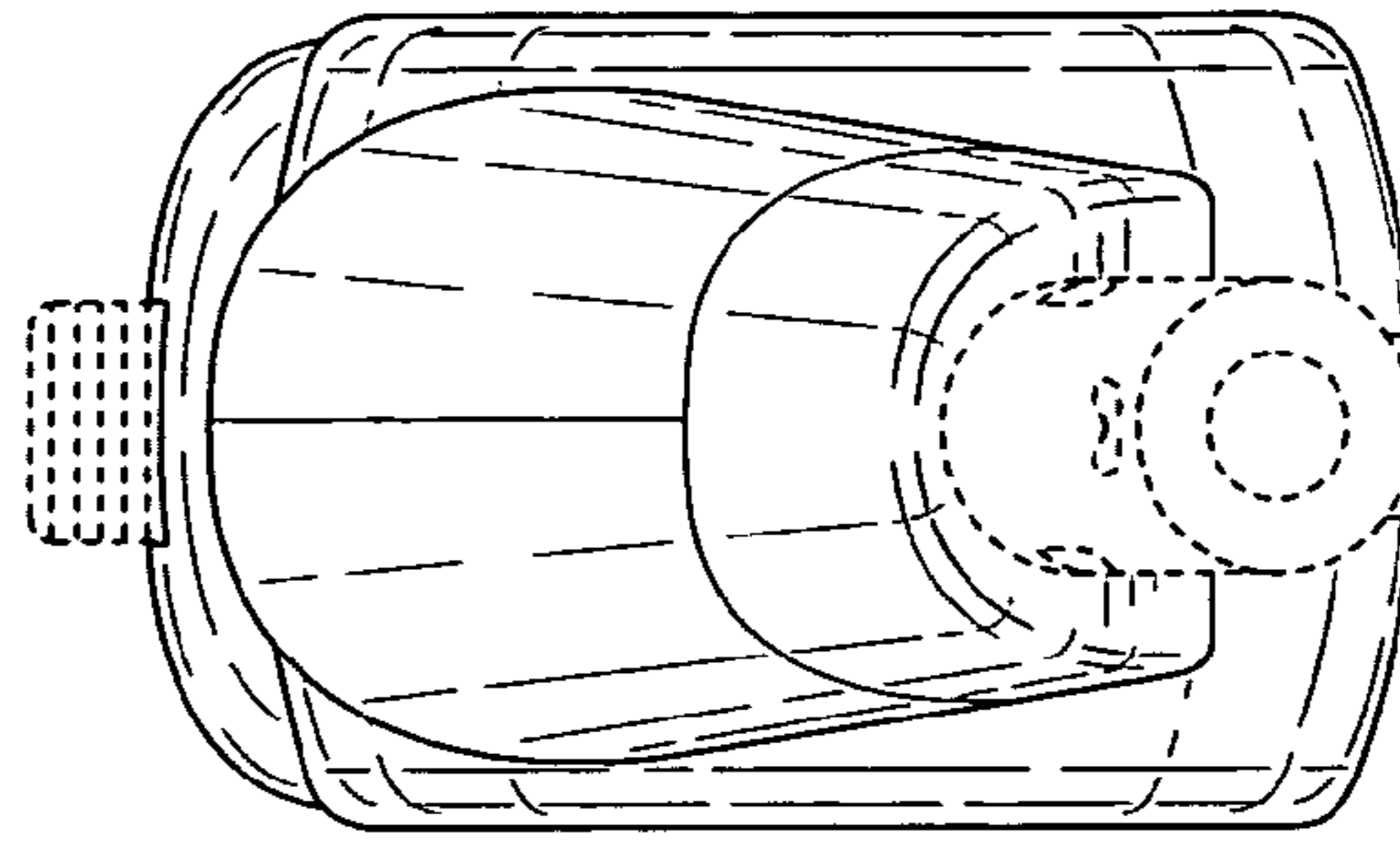


Fig. 6

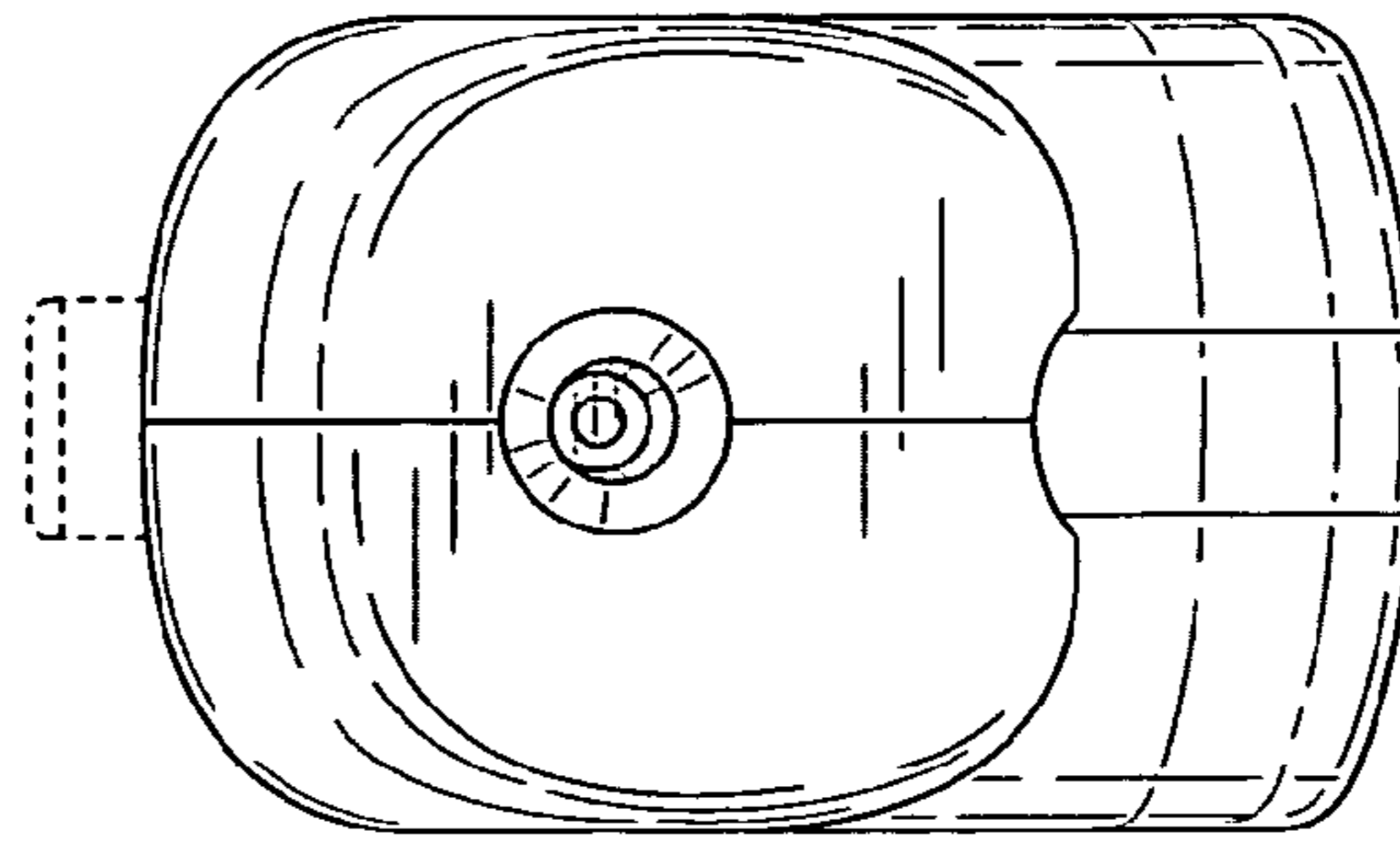


Fig. 5

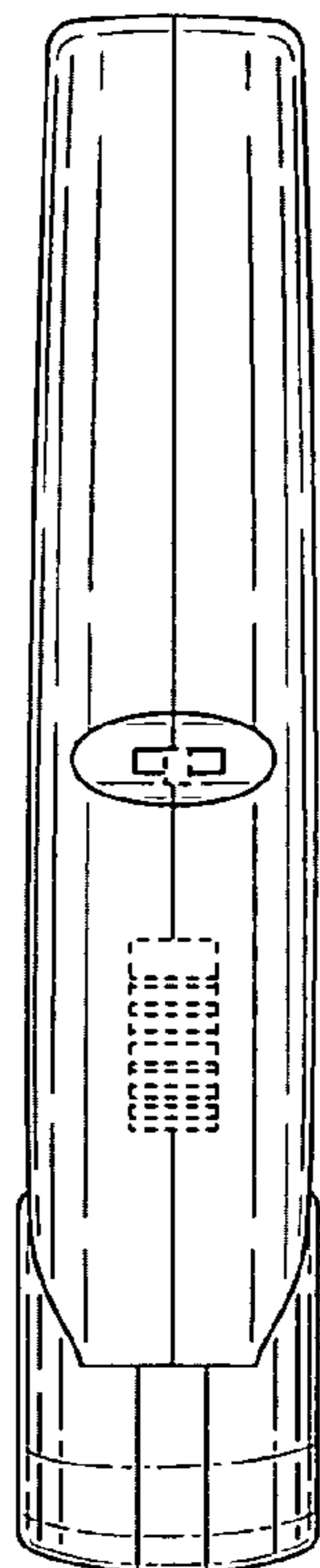


Fig. 7

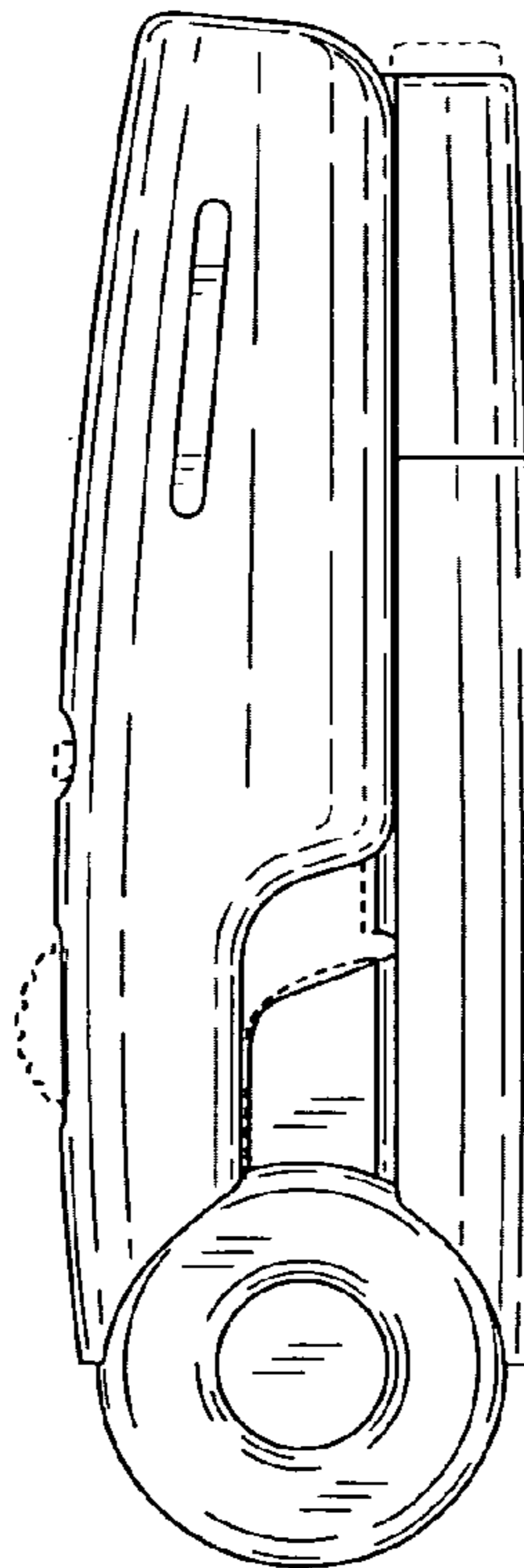


Fig. 8



Fig. 9

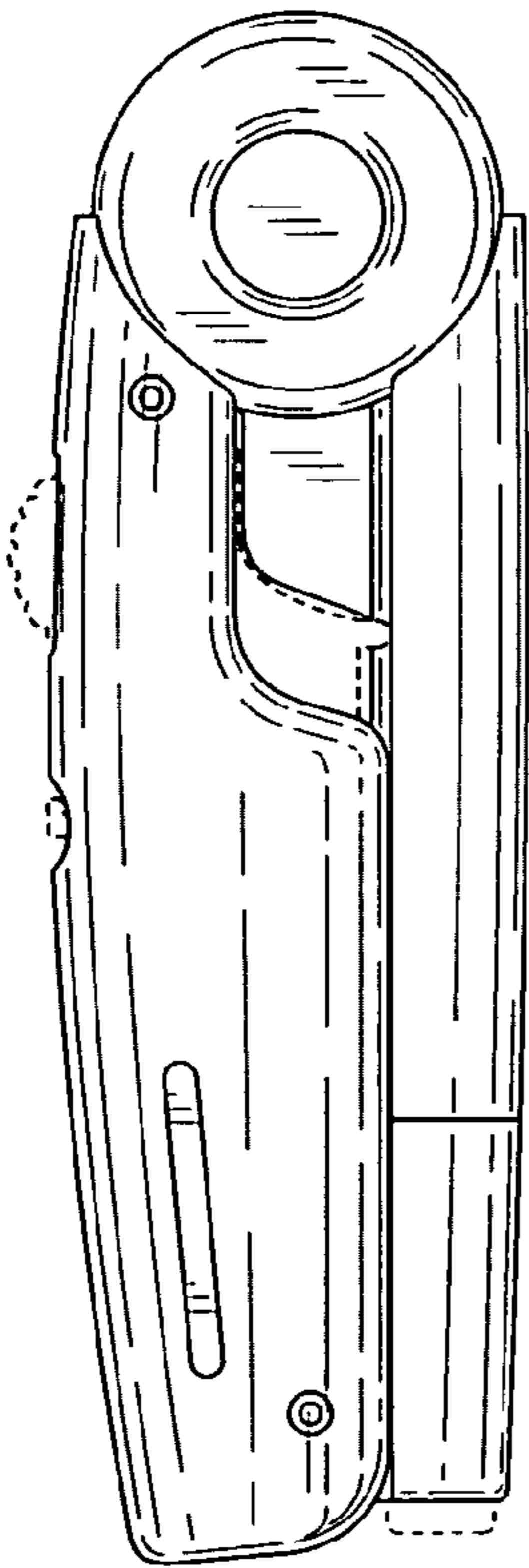


Fig. 10

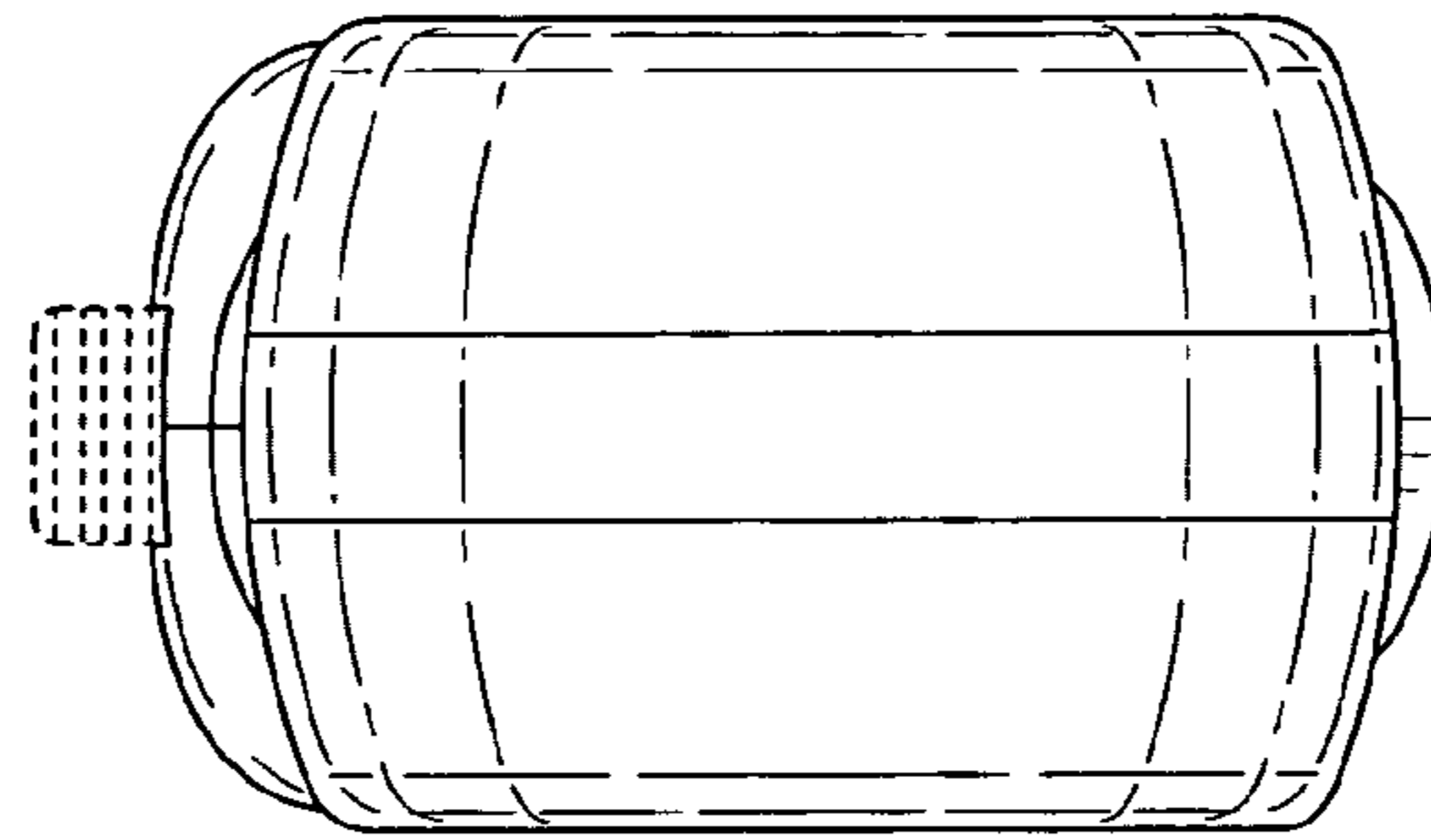


Fig. 12

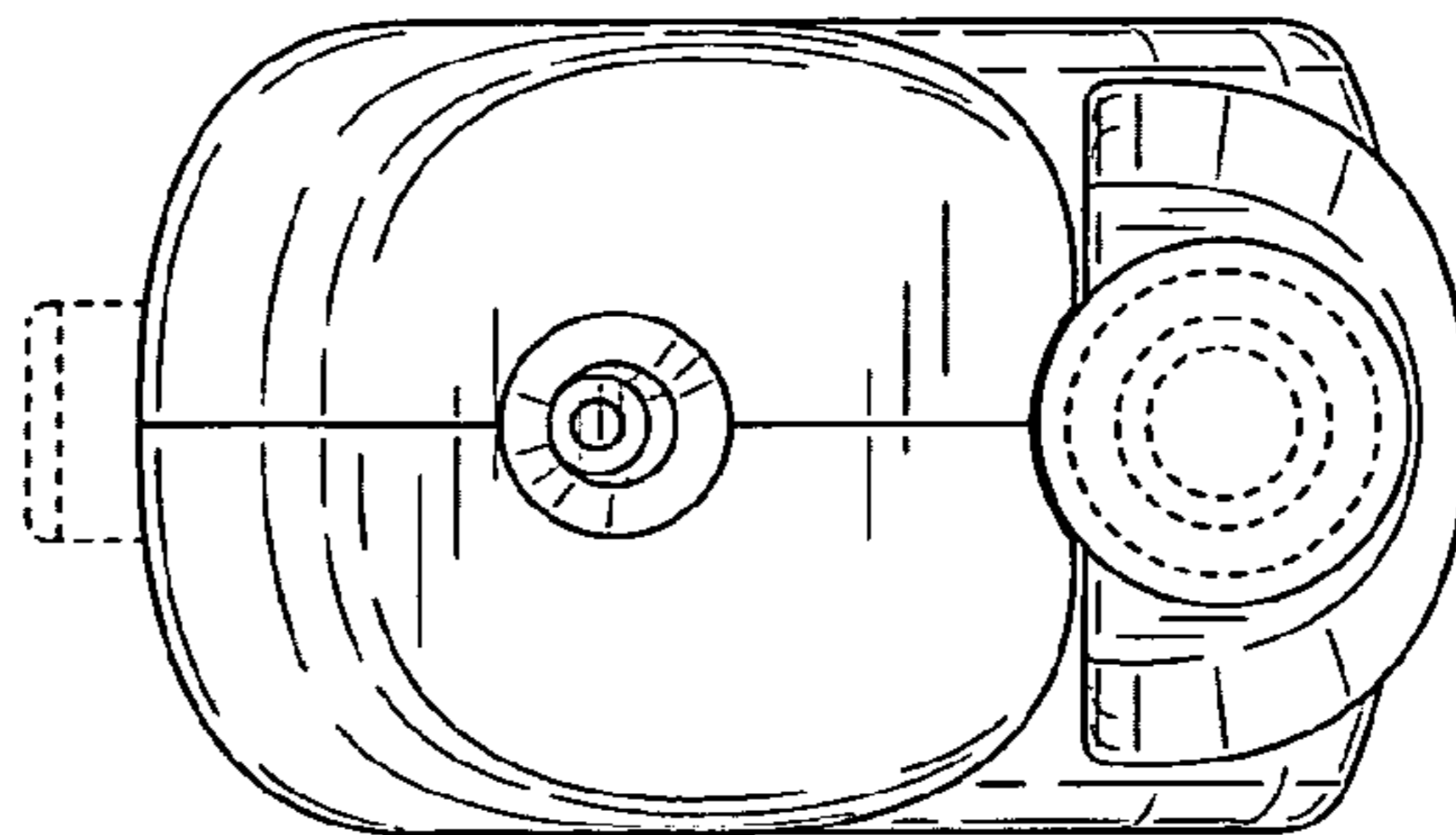


Fig. 11

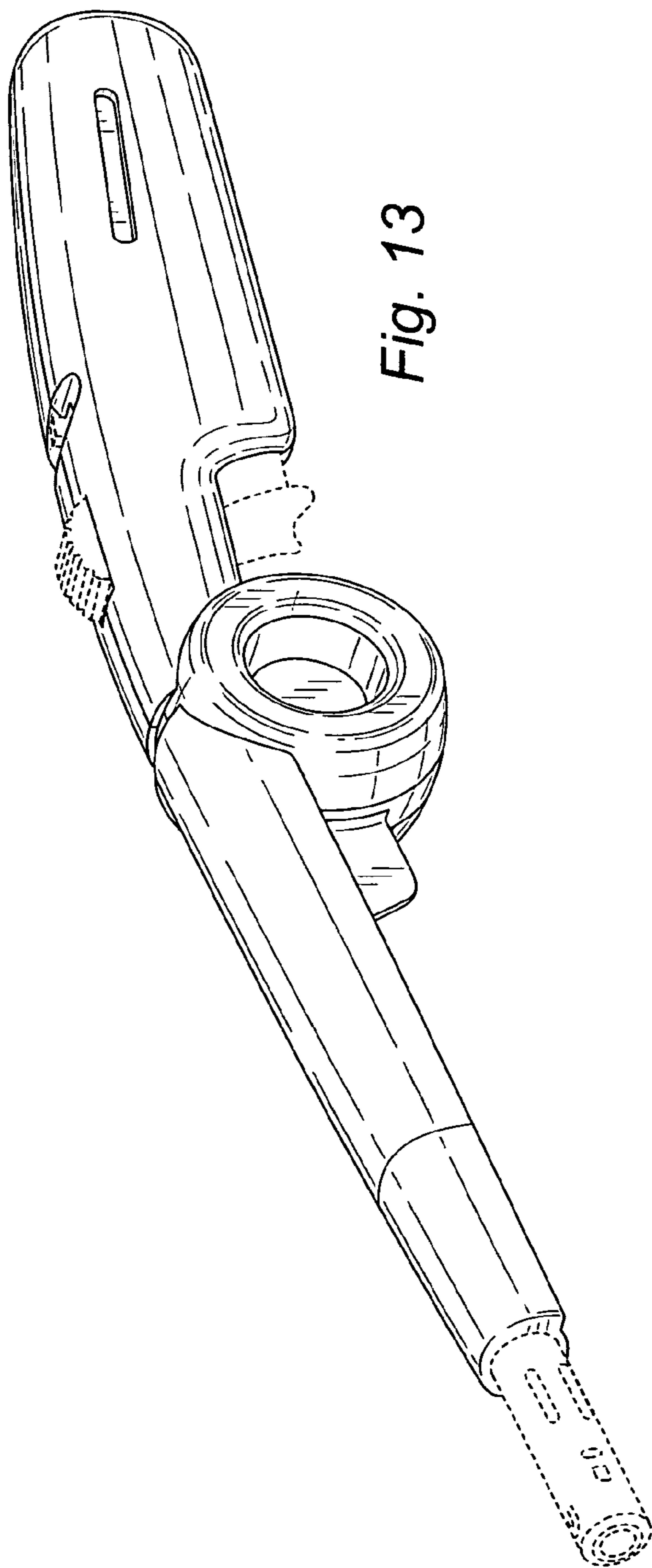


Fig. 13

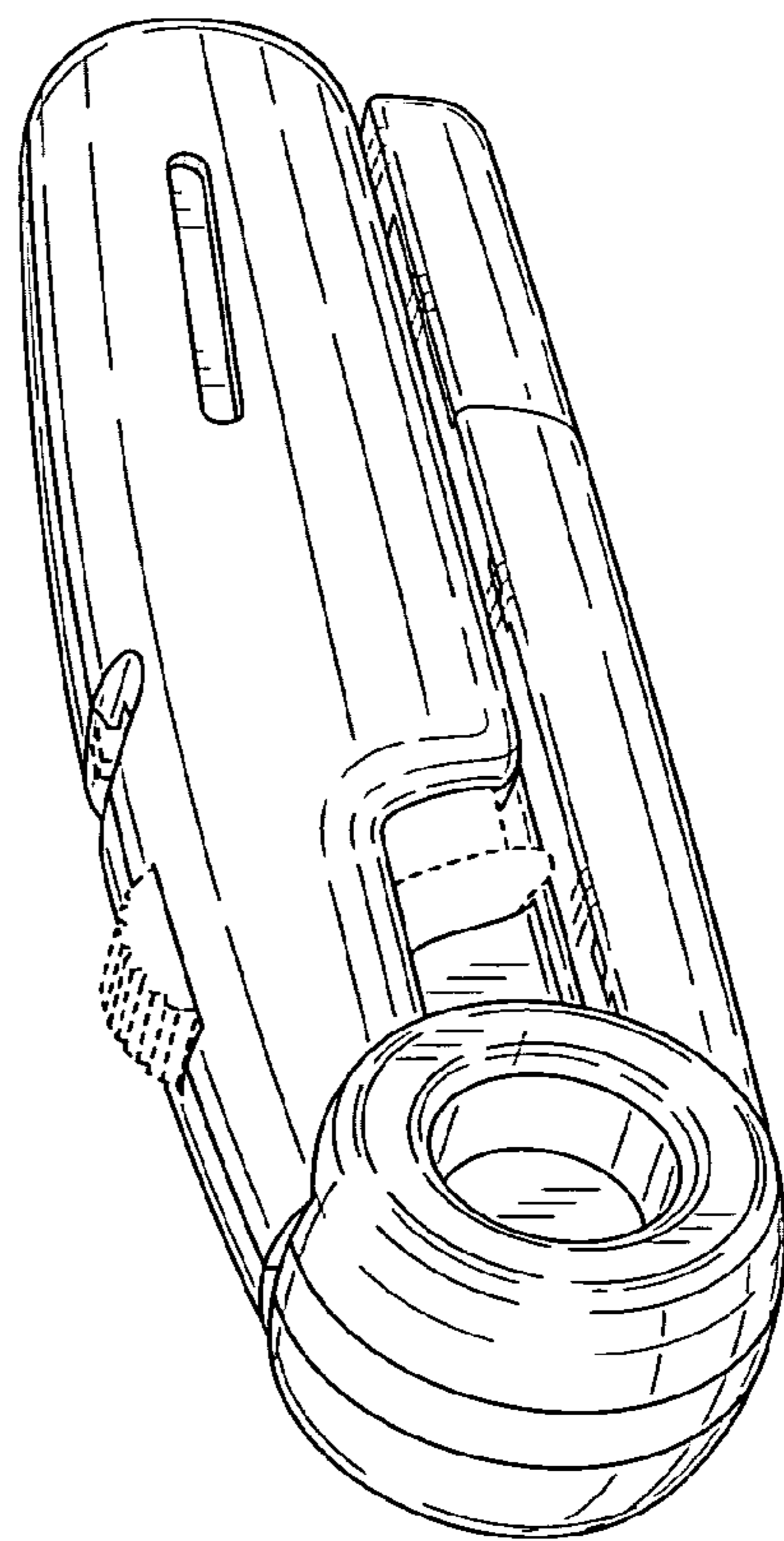


Fig. 14