



US00D686878S

(12) **United States Design Patent**
Grasselli et al.

(10) **Patent No.:** **US D686,878 S**
(45) **Date of Patent:** **** Jul. 30, 2013**

(54) **KETTLE BASE**

(75) Inventors: **Dario Grasselli**, Comerio (IT); **Leif A. Norland**, St. Joseph, MI (US); **Ben C. Shao**, Stevensville, MI (US); **Jeffrey A. Wessel**, Stevensville, MI (US)

(73) Assignee: **Whirlpool Corporation**, Benton Harbor, MI (US)

(**) Term: **14 Years**

(21) Appl. No.: **29/412,965**

(22) Filed: **Feb. 9, 2012**

(51) **LOC (9) Cl.** **07-99**

(52) **U.S. Cl.**
USPC **D7/399; D7/397**

(58) **Field of Classification Search**
USPC ... D7/316-319, 300, 397, 403, 399; 126/215;
222/146.6

See application file for complete search history.

(56) **References Cited**

U.S. PATENT DOCUMENTS

1,744,460 A * 1/1930 Finnely et al. 126/215
D399,090 S * 10/1998 Green D7/319

D448,235 S * 9/2001 Jørgensen D7/319
D455,315 S * 4/2002 Cheng D7/354
D611,288 S * 3/2010 Bodum D7/305
D622,090 S * 8/2010 Bodum D7/317

* cited by examiner

Primary Examiner — Marianne Pandozzi

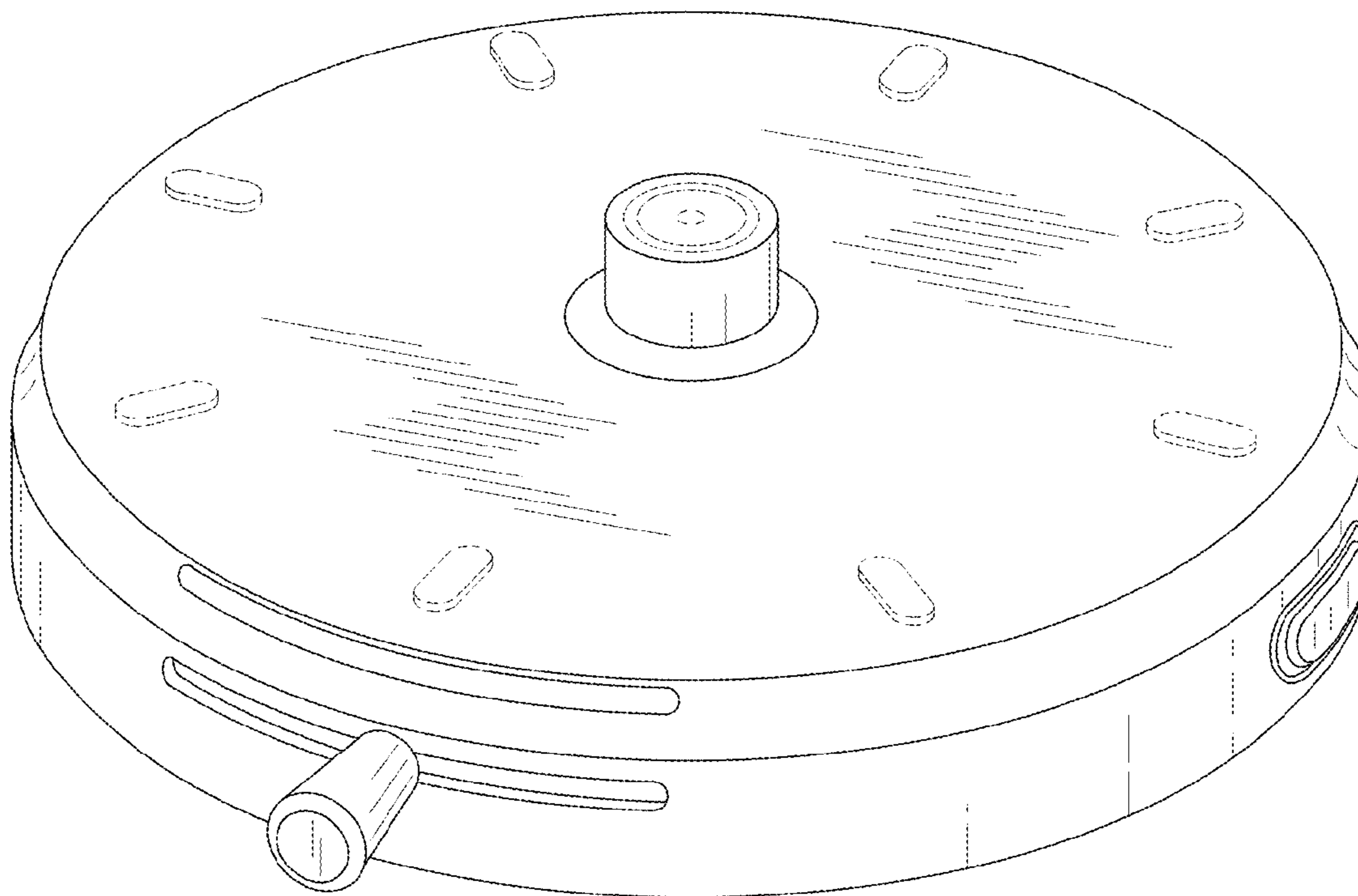
(57) **CLAIM**

We claim the ornamental design for a kettle base, as shown and described.

DESCRIPTION

FIG. 1 is a side perspective view of a design of the kettle base; FIG. 2 is a first side elevation view of the kettle base of FIG. 1; FIG. 3 is a second side elevation view of the kettle base of FIG. 1; FIG. 4 is a front elevation view of the kettle base of FIG. 1, FIG. 5 is a rear elevation view of the kettle base of FIG. 1; FIG. 6 is a top plan view of the kettle base of FIG. 1; and, FIG. 7 is a bottom plan view of the kettle base of FIG. 1. The features shown in broken lines depict environmental subject matter only and form no part of the claimed design.

1 Claim, 5 Drawing Sheets



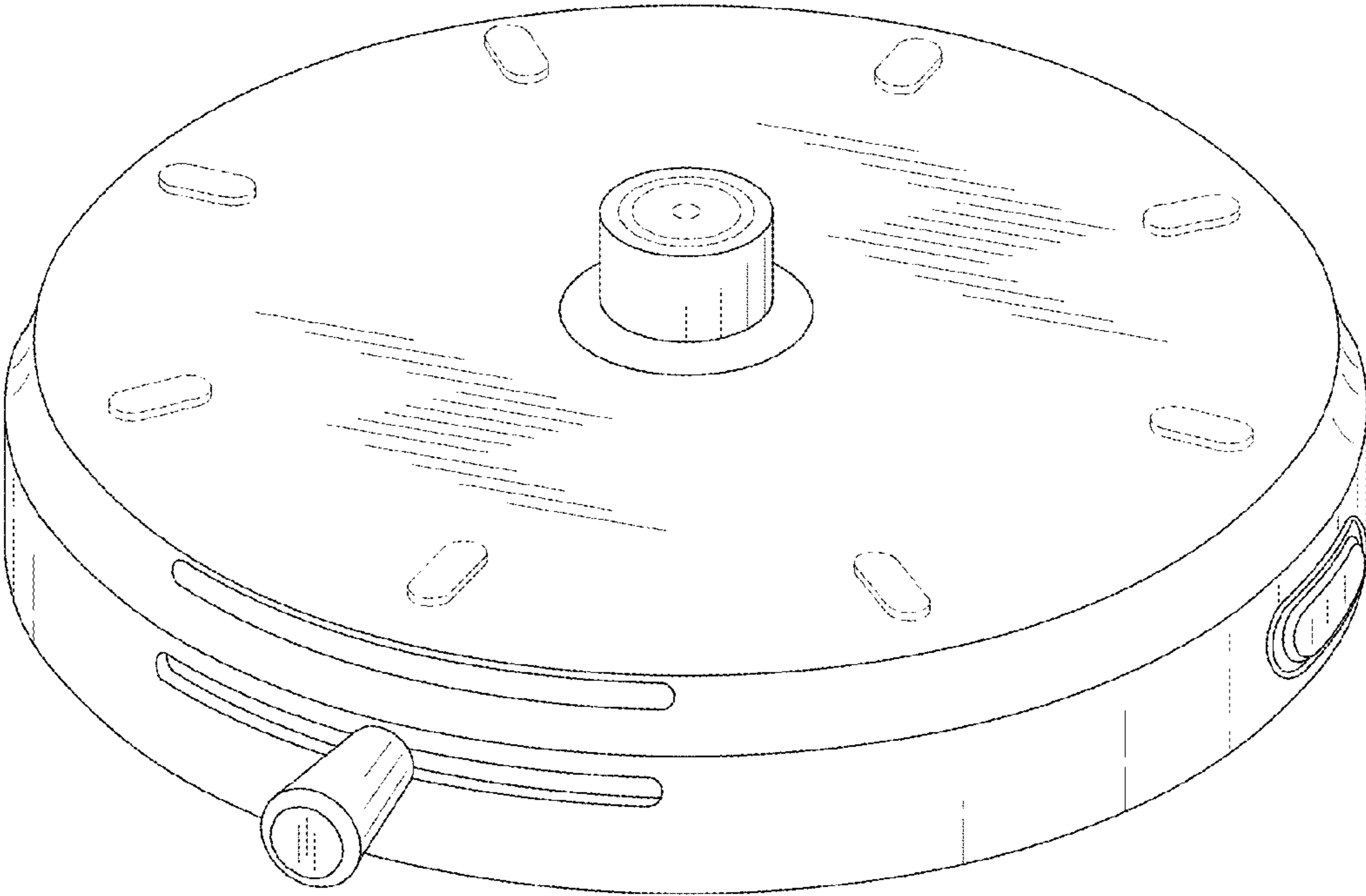


Fig. 1

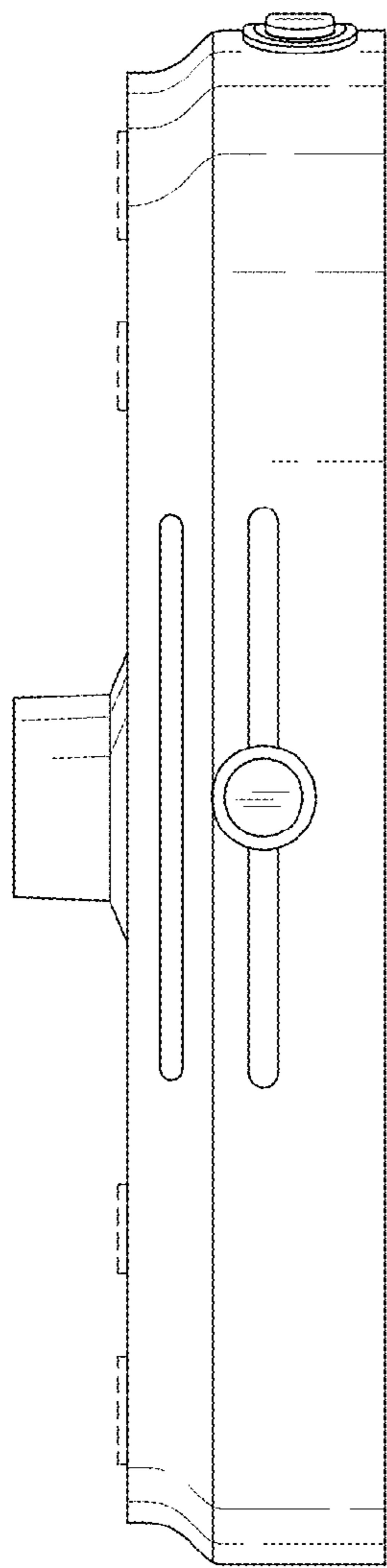


Fig. 2

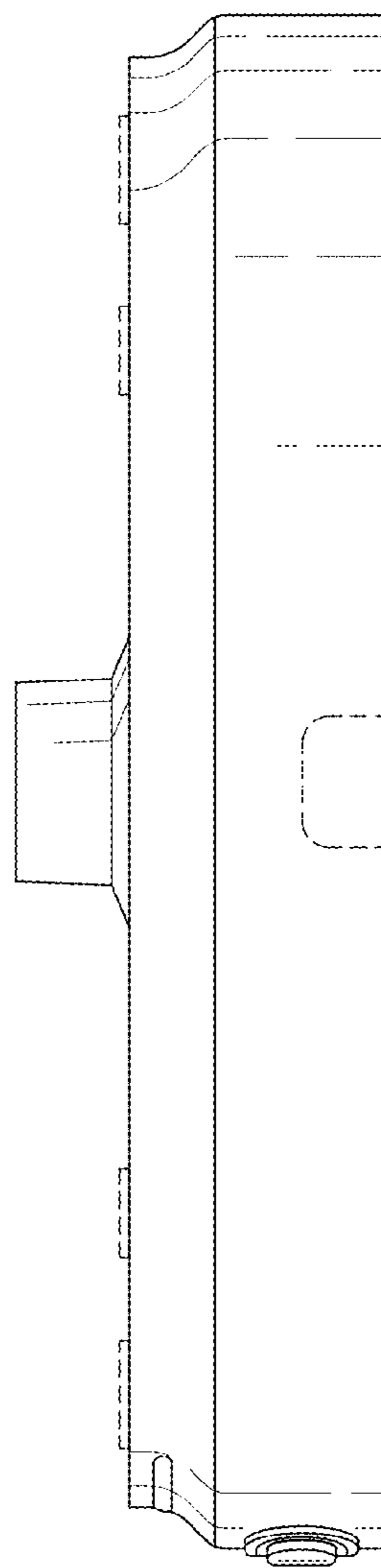


Fig. 3

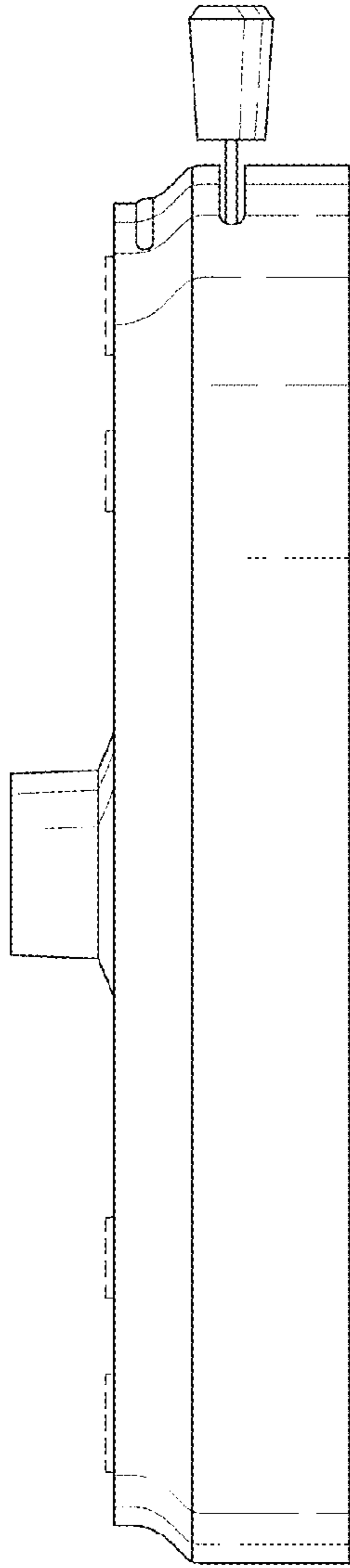


Fig. 4

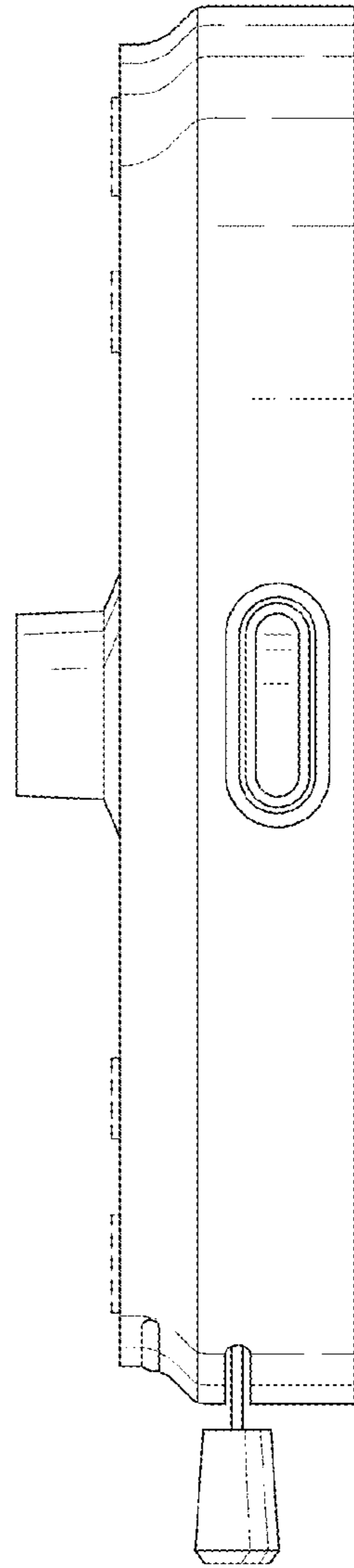


Fig. 5

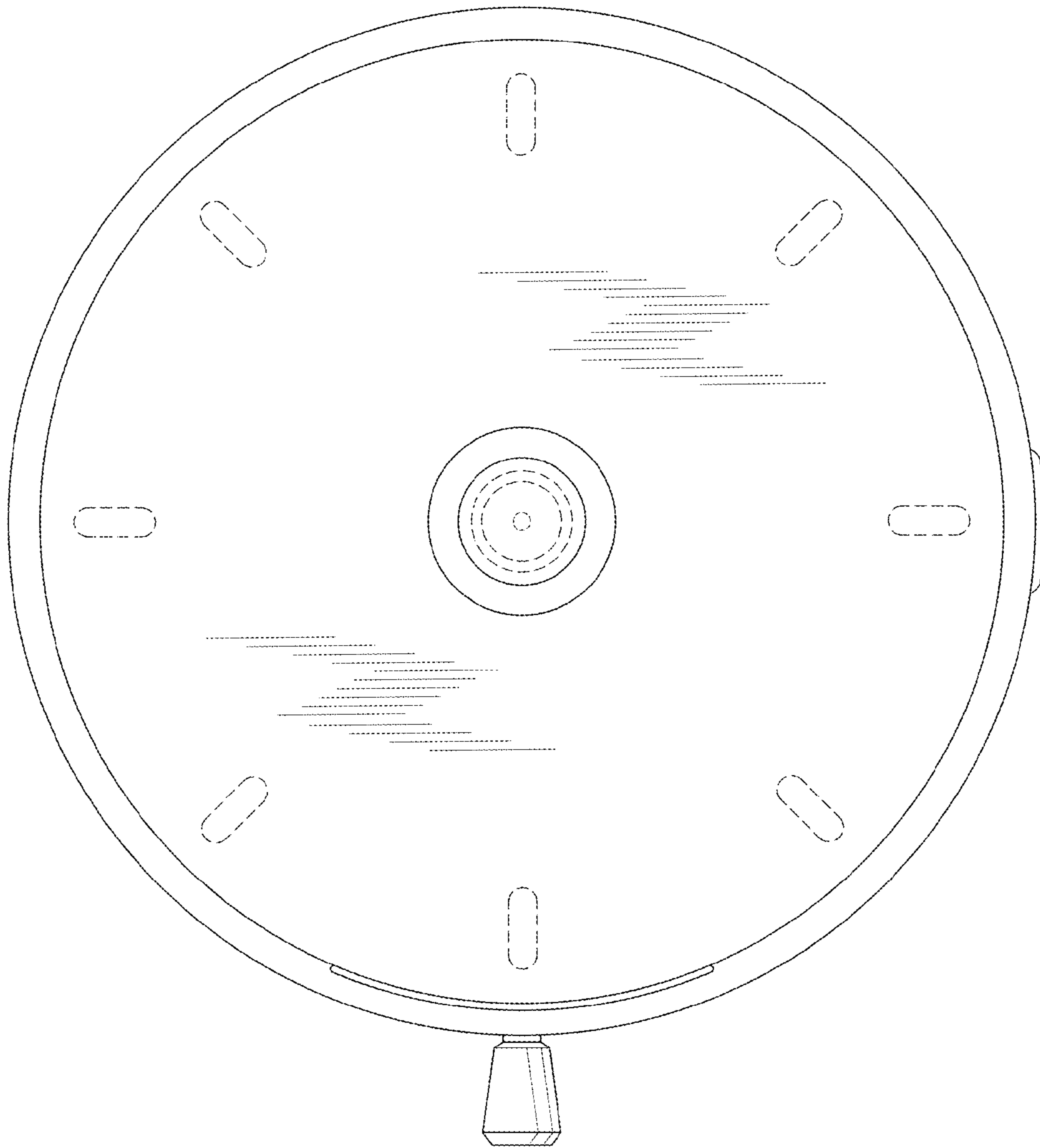


Fig. 6

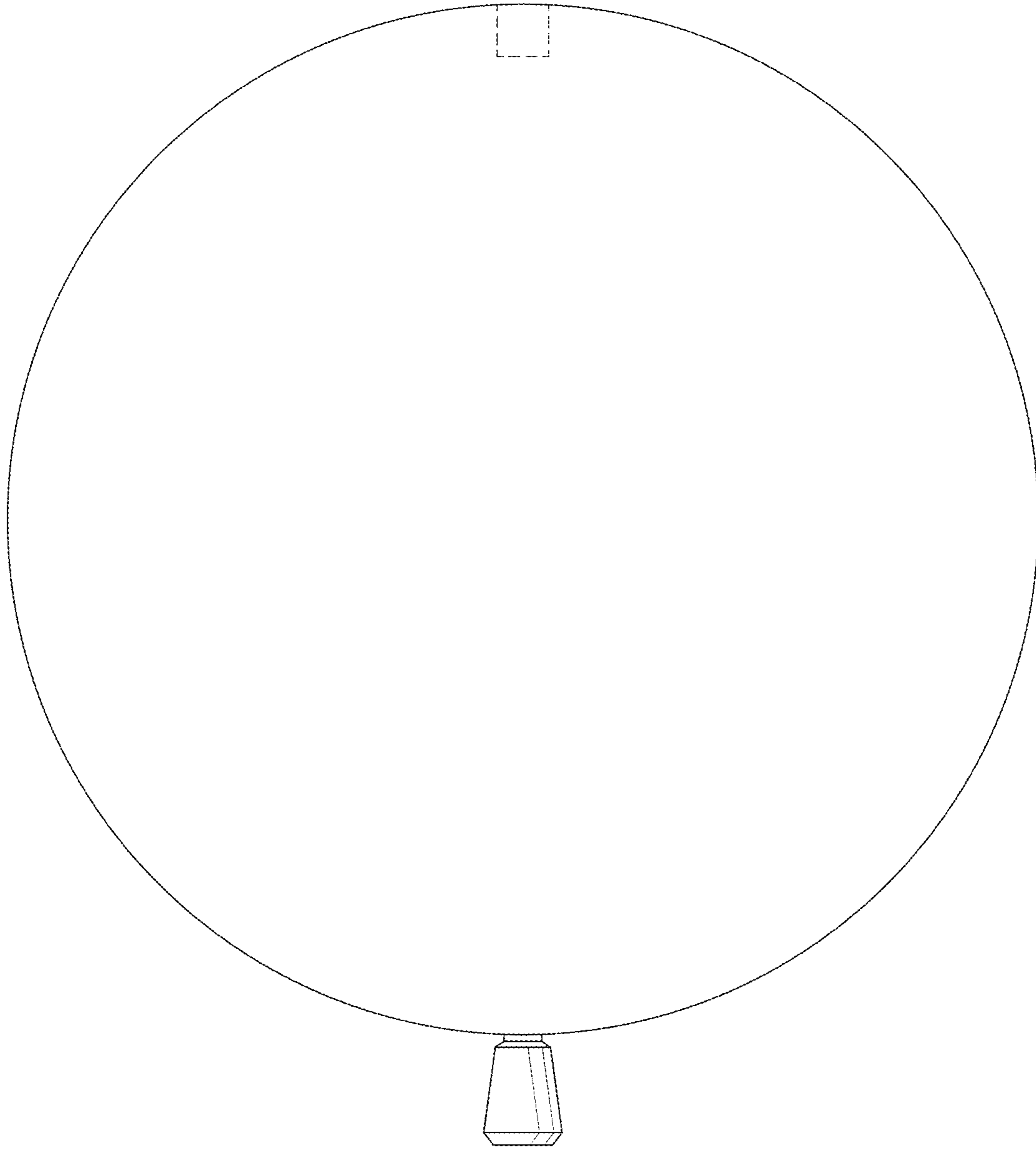


Fig. 7