



US00D686877S

(12) **United States Design Patent**
Ortega

(10) **Patent No.:** **US D686,877 S**
(45) **Date of Patent:** **** Jul. 30, 2013**

(54) **ICE CUBE RESTRAINER FOR ATTACHMENT TO A BEVERAGE GLASS**

(76) Inventor: **Yusbel Ortega**, Miami, FL (US)

(**) Term: **14 Years**

(21) Appl. No.: **29/414,619**

(22) Filed: **Mar. 1, 2012**

(51) **LOC (9) Cl.** **07-99**

(52) **U.S. Cl.**
USPC **D7/396.2; D7/396.3**

(58) **Field of Classification Search**
USPC **D7/396.2, 396.3, 396.1, 667; 210/469; 220/719, 731; 24/562, 563**
See application file for complete search history.

(56) **References Cited**

U.S. PATENT DOCUMENTS

384,977	A *	6/1888	Hopkins	210/469
563,640	A *	7/1896	Bauer	220/704
1,269,902	A *	6/1918	Smith	210/469
2,136,755	A	11/1938	Prince		
2,198,059	A *	4/1940	Pistorius	210/469
2,217,833	A	10/1940	Chapman		
2,591,606	A *	4/1952	Reed	99/316
2,744,631	A *	5/1956	Toombs	210/469
3,150,084	A *	9/1964	Rodges	210/469
3,917,533	A *	11/1975	Macaluso, Jr.	210/469
4,020,532	A *	5/1977	Lichter	24/562
D312,560	S	12/1990	Williamson		
D315,478	S *	3/1991	Liggins	D7/667
D315,479	S	3/1991	Liggins		
5,727,712	A *	3/1998	Costello	220/703

D393,782	S *	4/1998	Langford	D7/667
5,853,106	A	12/1998	Galluzzo		
D407,944	S *	4/1999	Filbrun	D7/396.2
5,971,202	A	10/1999	Filbrun		
D439,798	S *	4/2001	Bunn	D7/397
6,247,212	B1 *	6/2001	Grana Iglesias	24/563
D642,431	S *	8/2011	Stott	D7/396.2

* cited by examiner

Primary Examiner — Marianne Pandozzi

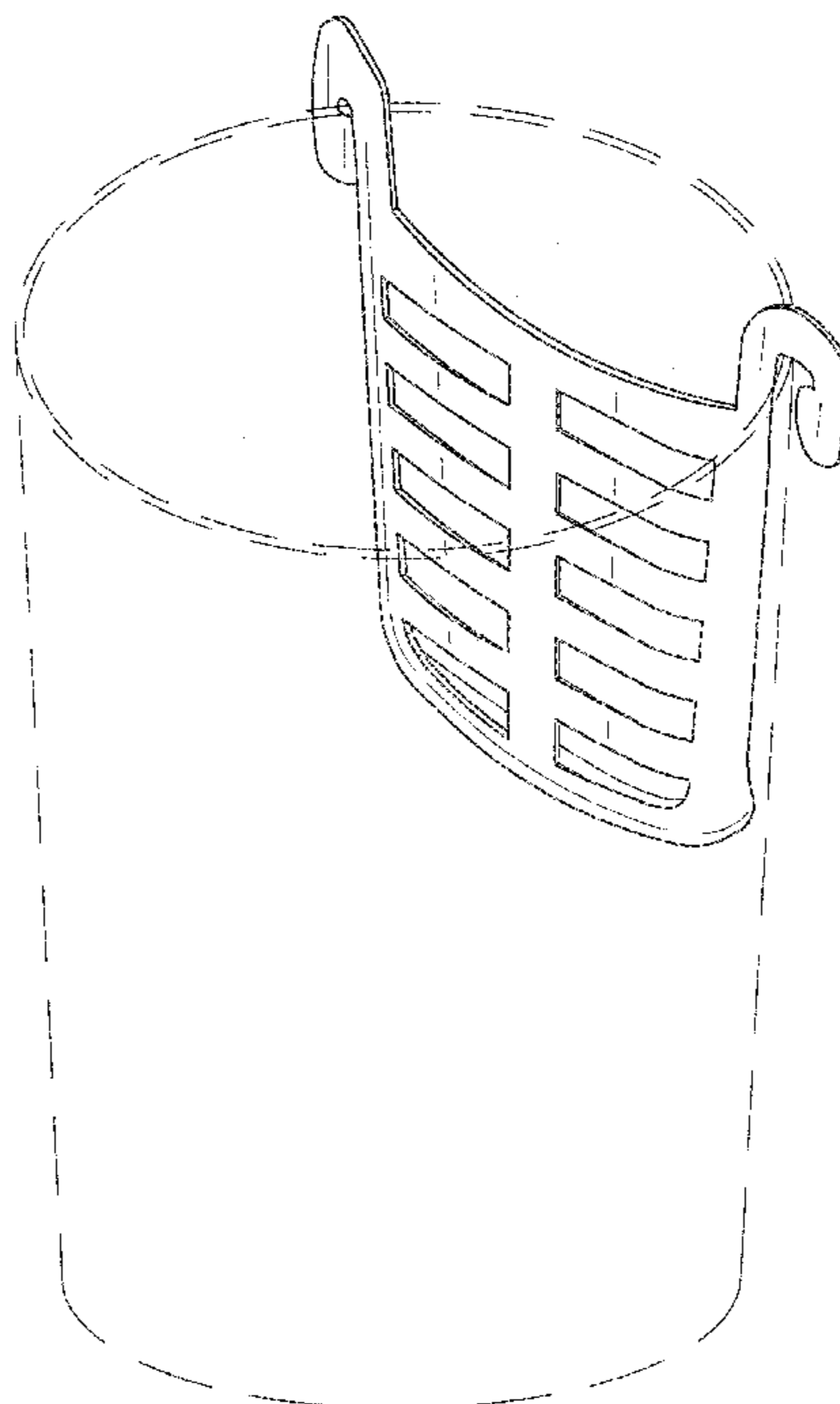
(57) **CLAIM**

The ornamental design for an ice cube restrainer for attachment to a beverage glass, as shown and described.

DESCRIPTION

FIG. 1 is a perspective view of an in-use ice cube restrainer for attachment to a beverage glass showing my new design; FIG. 2 is a front view thereof; FIG. 3 is a back view thereof; FIG. 4 is a side view (opposite side view is mirror image) thereof; FIG. 5 is a top view thereof; and, FIG. 6 is a bottom view thereof. In FIG. 1, the broken lines showing of environmental structure for purposes of illustrating the ice cube restrainer for attachment to a beverage glass in a condition of use. The broken lines and the structure they depict form no part of the claimed design.

1 Claim, 3 Drawing Sheets



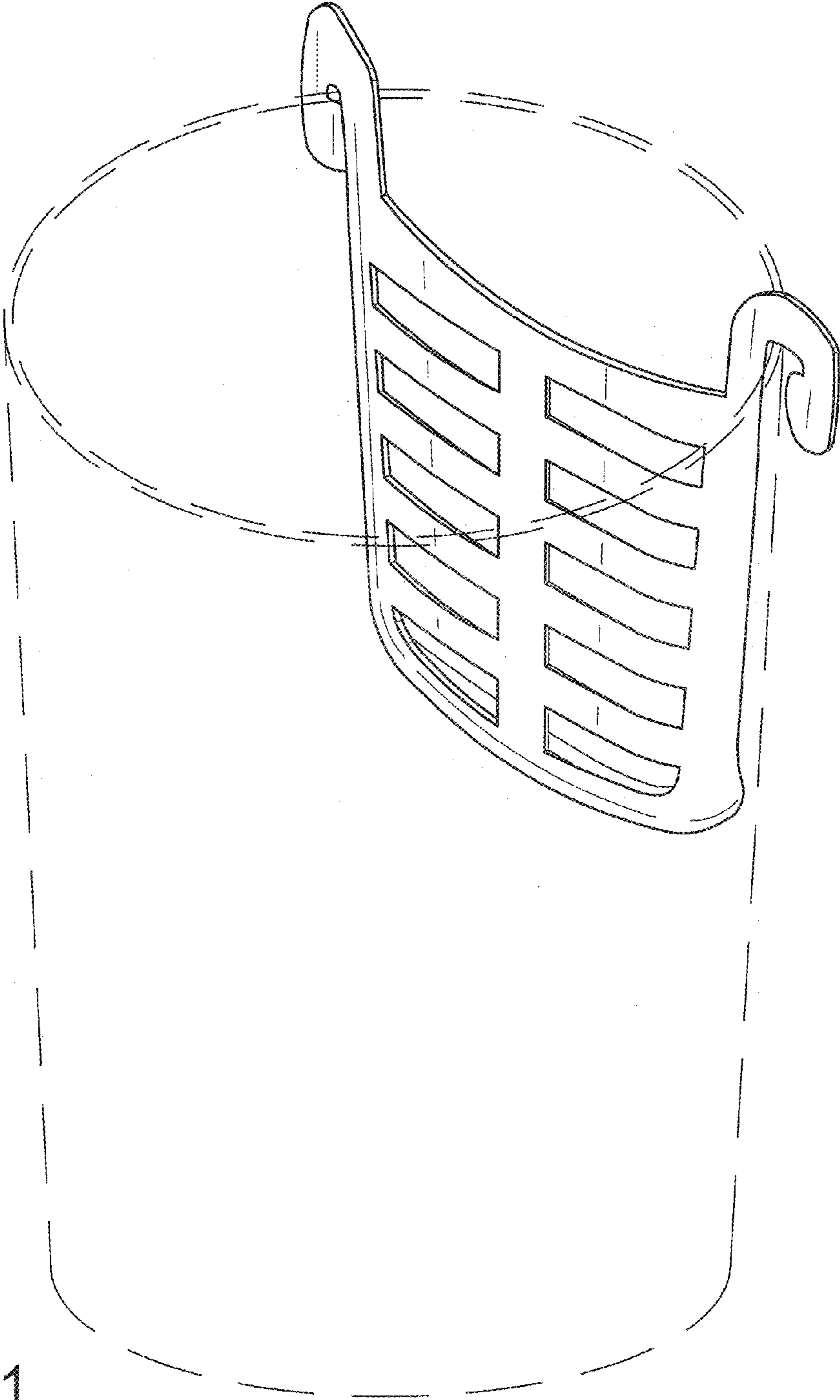


FIG. 1

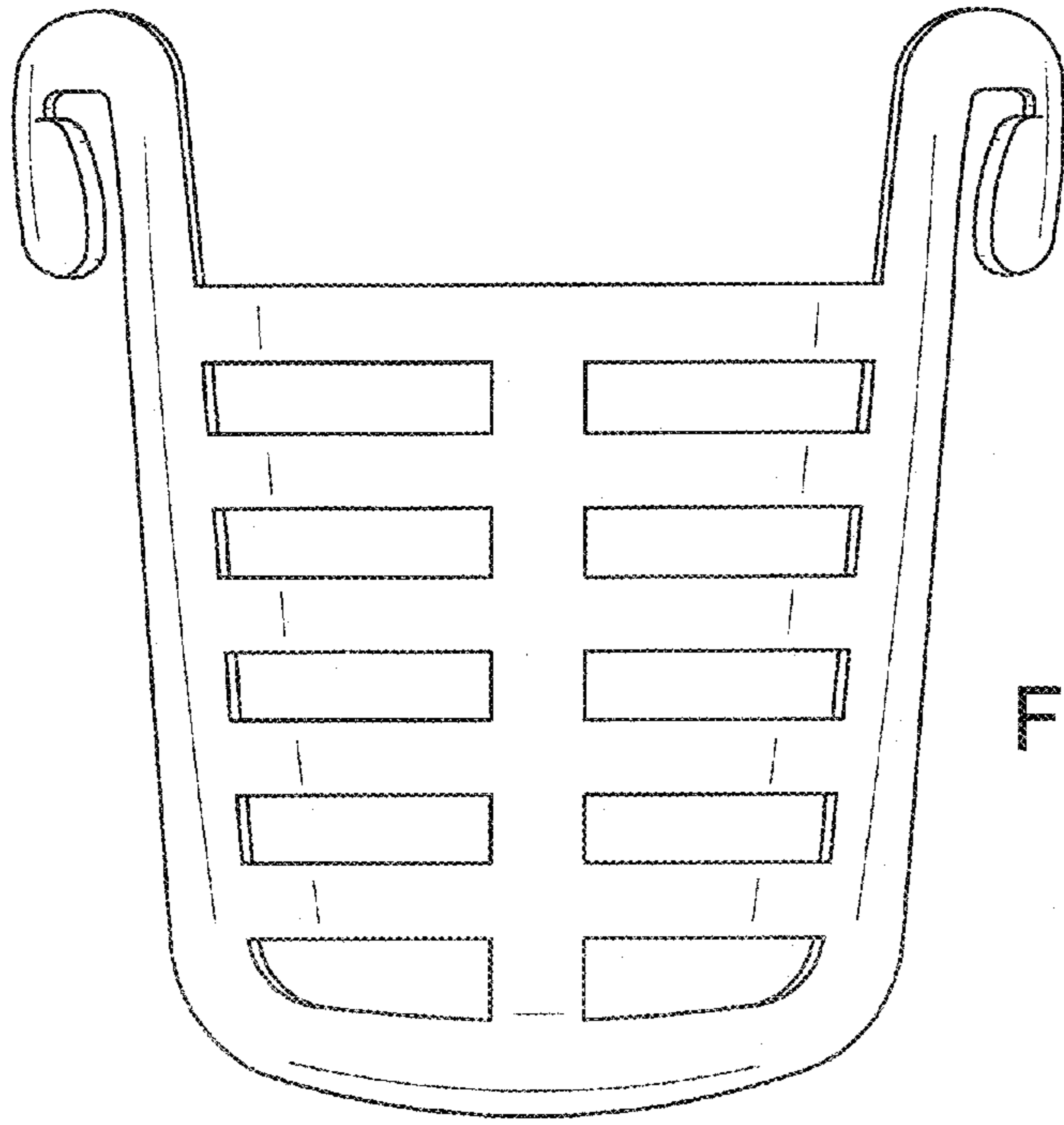


FIG. 2

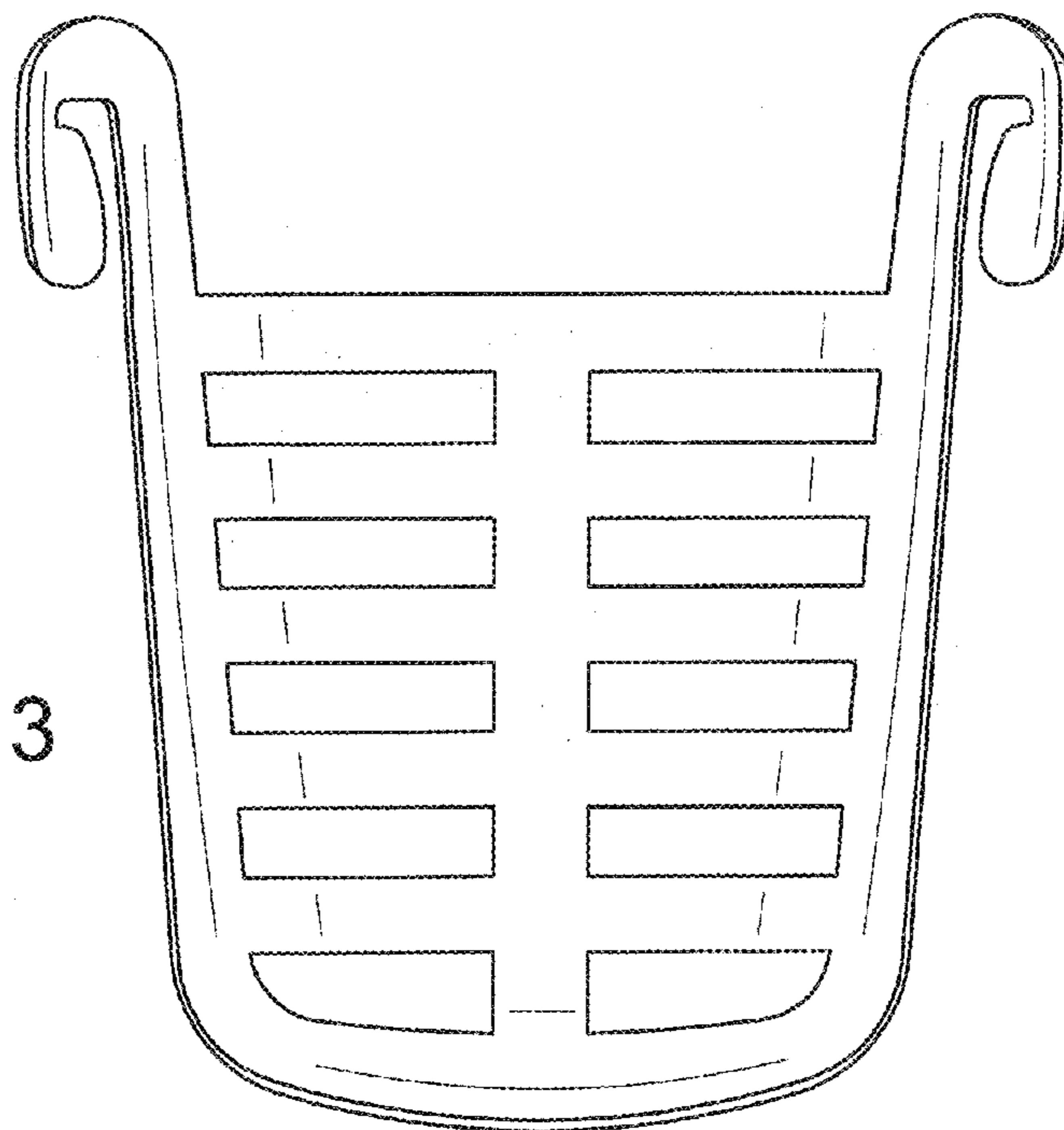


FIG. 3

FIG. 4

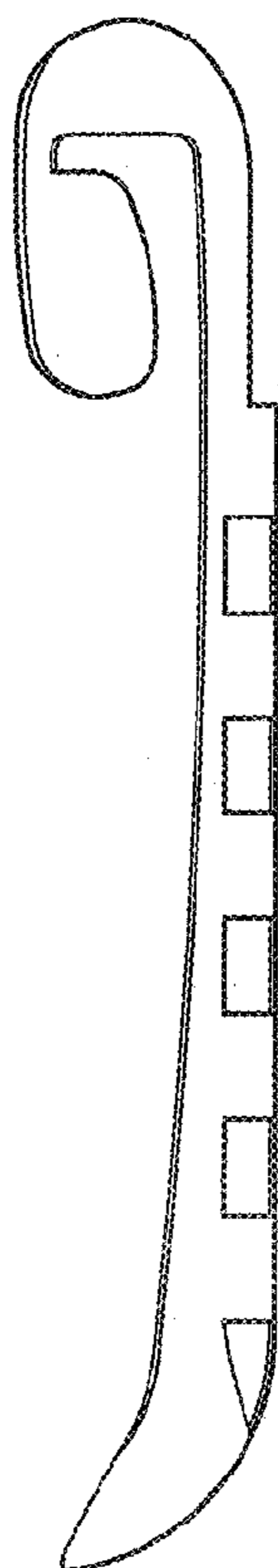


FIG. 5

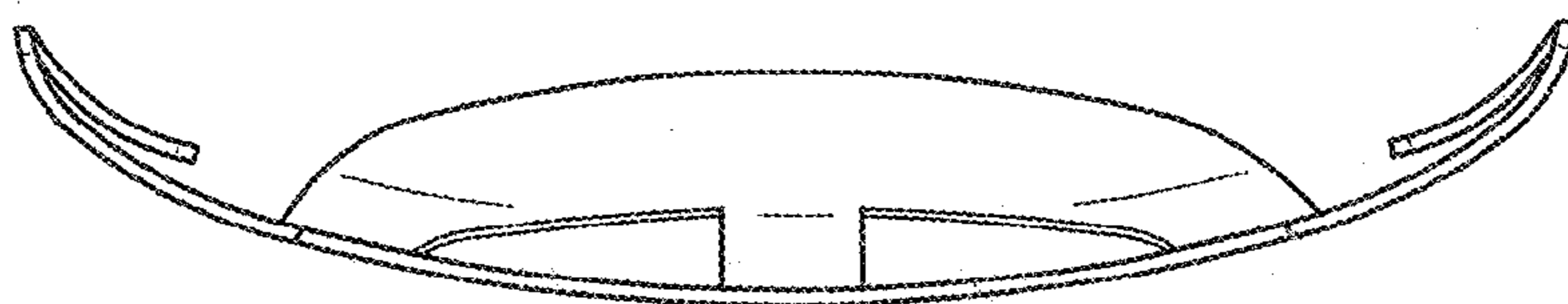


FIG. 6

