



US00D686875S

(12) **United States Design Patent**  
**Montgomery**

(10) **Patent No.:** **US D686,875 S**  
(45) **Date of Patent:** **\*\* Jul. 30, 2013**

- (54) **BOWL WITH UTENSIL RETENTION FEATURE**
- (75) Inventor: **Seana L. Montgomery**, McKinney, TX (US)
- (73) Assignee: **Seana L. Montgomery**, McKinney, TX (US)
- (\*\*) Term: **14 Years**
- (21) Appl. No.: **29/428,184**
- (22) Filed: **Jul. 27, 2012**

2,655,016 A	10/1953	Hudson
3,033,945 A	5/1962	Villchur
D195,345 S	6/1963	Stageberg
3,193,309 A	7/1965	Morris
3,824,742 A	7/1974	Rupp
D245,384 S	8/1977	Ashton
4,225,162 A	9/1980	Dola
D270,887 S	10/1983	Allgeyer et al.
D275,925 S	10/1984	Bowen et al.
D286,399 S	10/1986	Willy
4,834,328 A	5/1989	Hall
4,873,795 A	10/1989	Spiess et al.
4,921,447 A	5/1990	Capp et al.
4,940,199 A	7/1990	Hall
4,968,010 A	11/1990	Odobasic
4,978,567 A	12/1990	Miller
5,185,499 A	2/1993	Yahraus
5,195,756 A	3/1993	Wachter
D337,005 S	7/1993	Culverhouse
D351,088 S	10/1994	Hsiao
5,388,732 A	2/1995	Greger
5,390,816 A	2/1995	Boyd
D358,062 S	5/1995	Hasuike
5,413,502 A	5/1995	Wang
D369,727 S	5/1996	Ancona
D372,286 S	7/1996	Fortini
5,532,073 A	7/1996	Hirata et al.
D378,578 S	3/1997	Eberhardt
5,638,981 A	6/1997	Crane
D383,031 S	9/1997	Cousins
D386,042 S	11/1997	Miller
D391,118 S	2/1998	Jørgensen
D405,656 S	2/1999	Davis et al.
5,915,580 A	6/1999	Melk
5,922,993 A	7/1999	Ide et al.
5,972,009 A	10/1999	Fortier et al.
D419,395 S	1/2000	Swanson
D423,621 S	4/2000	Holtby
D438,050 S	2/2001	Huntzinger
D440,501 S	4/2001	Dorion et al.
D442,304 S	5/2001	Huang
D443,181 S	6/2001	Miller
6,331,123 B1	12/2001	Rodrigues
D455,599 S	4/2002	Cheng
6,457,601 B1	10/2002	Chappell
D473,752 S	4/2003	Kerr
D477,367 S	7/2003	Gaines et al.
6,604,714 B1	8/2003	Hall
D482,575 S	11/2003	Mountain
D484,690 S	1/2004	Vazquez
D492,538 S	7/2004	Cheng
6,886,707 B2	5/2005	Giraud
D509,403 S	9/2005	Raydo

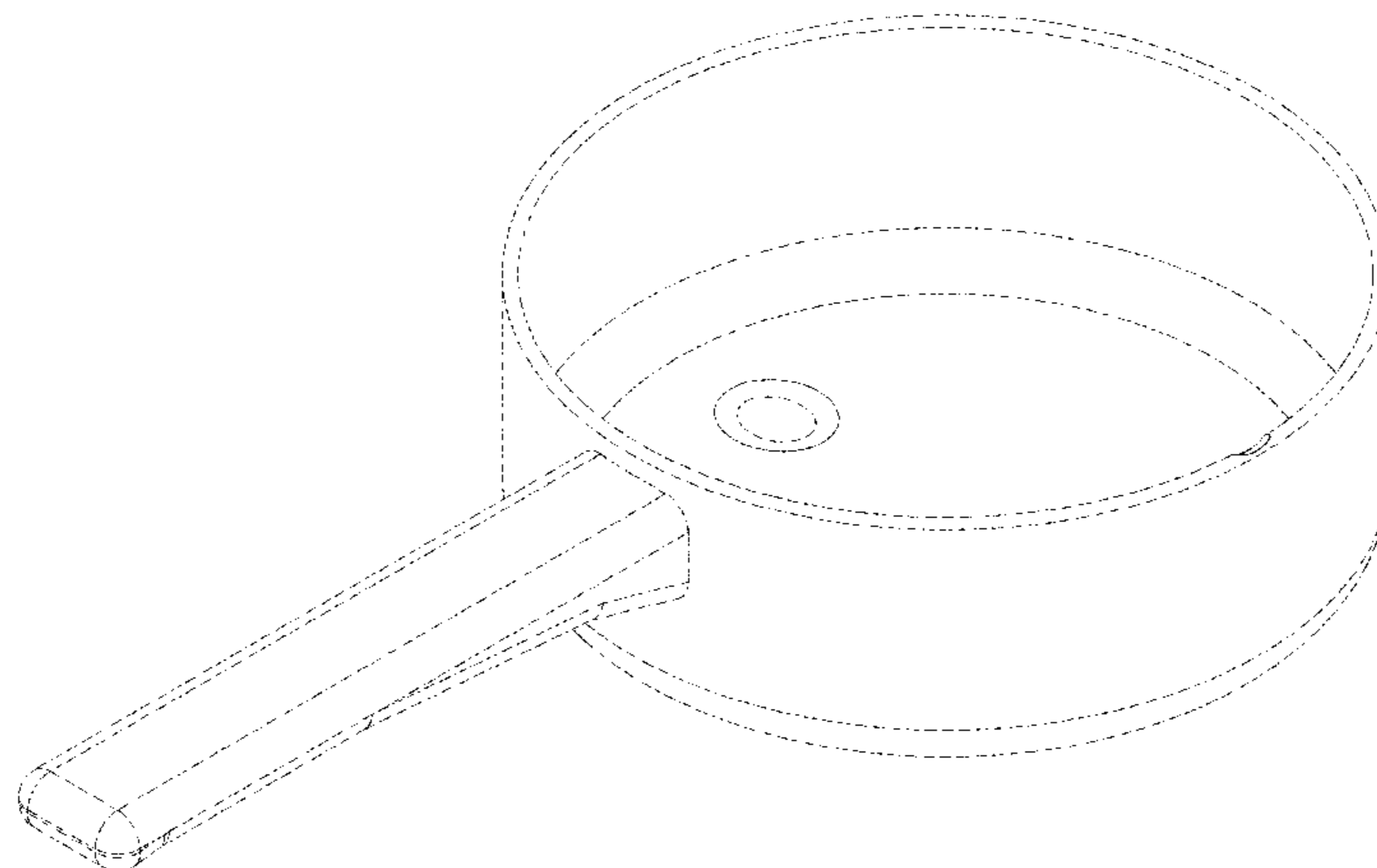
**Related U.S. Application Data**

- (62) Division of application No. 29/369,663, filed on Sep. 10, 2010, now Pat. No. Des. 666,458.
- (51) **LOC (9) Cl.** ..... **07-01**
- (52) **U.S. Cl.**  
USPC ..... **D7/396.1**
- (58) **Field of Classification Search**  
USPC ..... D7/505, 500, 587, 586, 506, 538, D7/555, 541, 546, 548, 553.1, 545, 610, 566, D7/570, 396.1; D9/307, 341, 342, 343, 344, D9/345, 346, 347, 348, 543; 206/561; 220/575, 220/574.1  
See application file for complete search history.

**References Cited**

**U.S. PATENT DOCUMENTS**

269,054 A *	12/1882	Hemsteger	220/574
D25,316 S	3/1896	Dobson	
676,799 A	6/1901	McLoughlin	
785,116 A	3/1905	Perry	
D47,282 S	5/1915	Beurmann	
1,673,677 A	5/1921	Holland	
1,505,675 A	8/1924	Stirn	
D109,508 S	5/1938	Wood	
D113,856 S	3/1939	Smith	
D117,054 S	10/1939	Bradford	
2,261,448 A	11/1941	Petersen	
2,350,475 A	6/1944	Rabazzana	
D162,354 S	3/1951	Smith	
D167,942 S	10/1952	Jones	



D509,994 S	9/2005	Hadland	
D512,599 S	12/2005	Hoenstein	
6,990,893 B2	1/2006	Cheng	
D522,313 S *	6/2006	Oyler et al. ....	D7/543
D524,603 S *	7/2006	Kishbaugh et al. ....	D7/543
D539,611 S	4/2007	Wasserman et al.	
D541,104 S	4/2007	Barber	
D546,117 S	7/2007	Orr	
D547,614 S	7/2007	Kell	
D560,434 S	1/2008	Feil	
D562,060 S	2/2008	Kloppsteck	
D564,302 S	3/2008	Freeman	
D565,357 S	4/2008	Chan	
D568,677 S	5/2008	Stattmann	
D579,715 S	11/2008	Pawson et al.	
D586,177 S	2/2009	Loring	
D590,203 S	4/2009	Gates	
D592,064 S	5/2009	Kilany	
D592,512 S	5/2009	Dubitsky et al.	
D593,807 S	6/2009	Kong	
D599,164 S	9/2009	Hoekstra	
D600,497 S	9/2009	Ek	
D603,211 S	11/2009	Ek	
7,631,781 B2 *	12/2009	Chen .....	220/703
D608,149 S	1/2010	Kellermann	
D611,769 S	3/2010	Hauser	
D613,616 S	4/2010	Renz et al.	
D617,609 S	6/2010	Thomas	
D617,610 S	6/2010	Thomas	
D618,494 S	6/2010	Welk et al.	
D618,495 S	6/2010	Welk et al.	
D625,469 S	10/2010	Dubitsky et al.	
D627,198 S	11/2010	Hull et al.	
D630,891 S	1/2011	Thonis	
D631,204 S	1/2011	Dubitsky et al.	
D639,115 S	6/2011	Stewart et al.	
D639,449 S	6/2011	Lubric	
D641,590 S	7/2011	Koennecke	
D642,868 S *	8/2011	Shah .....	D7/538
7,992,714 B1 *	8/2011	Devault et al. ....	206/564
D647,199 S	10/2011	Kroiss	
D650,005 S	12/2011	Perks	
D650,006 S	12/2011	Perks	
D656,792 S	4/2012	Sink et al.	
D657,624 S *	4/2012	Kastl .....	D7/505
D659,913 S	5/2012	Spectre et al.	
8,167,129 B2	5/2012	Hatcher	
8,172,612 B2	5/2012	Bence et al.	
8,192,237 B2	6/2012	Purdy et al.	
D664,399 S *	7/2012	Henry .....	D7/566
8,216,315 B2	7/2012	Ralph et al.	
D665,228 S *	8/2012	Rosen .....	D7/562
8,251,340 B2 *	8/2012	Webb et al. ....	248/683
D666,458 S	9/2012	Montgomery	
D672,192 S	12/2012	Zibilich	
8,322,112 B2	12/2012	Lubric	
D676,712 S	2/2013	Montgomery	
D677,124 S	3/2013	Montgomery	
D677,125 S	3/2013	Montgomery	
D677,126 S	3/2013	Montgomery	
2003/0015018 A1	1/2003	Brannon et al.	
2004/0026429 A1	2/2004	Baldewsingh et al.	
2005/0115974 A1	6/2005	Micciulla	
2009/0241347 A1 *	10/2009	Weaver .....	30/142
2009/0321455 A1 *	12/2009	Fernandez et al. ....	220/574
2011/0073610 A1	3/2011	Giraud et al.	

OTHER PUBLICATIONS

U.S. Appl. No. 13/490,364, filed Jun. 6, 2012, entitled "Bowl with Utensil Holder", inventor Seana L. Montgomery.

\* cited by examiner

Primary Examiner — Cynthia Underwood

(74) Attorney, Agent, or Firm — Patent Capital Group

(57)

CLAIM

The ornamental design for a bowl with a utensil retention feature, as shown and described.

DESCRIPTION

This Design Application is also related to co-pending U.S. Design patent application Ser. No. 29/428,185, filed on Jul. 27, 2012, entitled Bowl With Utensil Retention Feature; U.S. Design patent application Ser. No. 29/428,187, filed on Jul. 27, 2012, entitled Bowl With Utensil Retention Feature; U.S. Design patent application Ser. No. 29/428,188, filed on Jul. 27, 2012, entitled Bowl With Utensil Retention Feature; U.S. Design patent application Ser. No. 29/428,189, filed on Jul. 27, 2012, entitled Bowl With Utensil Retention Feature; U.S. Design patent application Ser. No. 29/428,215, filed on Jul. 27, 2012, entitled Bowl With Utensil Retention Feature; U.S. Design patent application Ser. No. 29/428,221, filed on Jul. 27, 2012, entitled Bowl With Utensil Retention Feature; U.S. Design patent application Ser. No. 29/428,222, filed on Jul. 27, 2012, entitled Bowl With Utensil Retention Feature; U.S. Design patent application Ser. No. 29/428,225, filed on Jul. 27, 2012, entitled Bowl With Utensil Retention Feature; U.S. Design patent application Ser. No. 29/428,227, filed on Jul. 27, 2012, entitled Bowl With Utensil Retention Feature; U.S. Design patent application Ser. No. 29/428,232, filed on Jul. 27, 2012, entitled Bowl With Utensil Retention Feature; U.S. Design patent application Ser. No. 29/428,240, filed on Jul. 27, 2012, entitled Bowl With Utensil Retention Feature; U.S. Design patent application Ser. No. 29/428,244, filed on Jul. 27, 2012, entitled Bowl With Utensil Retention Feature; U.S. Design patent application Ser. No. 29/428,248, filed on Jul. 27, 2012, entitled Bowl With Utensil Retention Feature; U.S. Design patent application Ser. No. 29/428,253, filed on Jul. 27, 2012, entitled Bowl With Utensil Retention Feature; U.S. Design patent application Ser. No. 29/428,256, filed on Jul. 27, 2012, entitled Bowl With Utensil Retention Feature; U.S. Design patent application Ser. No. 29/428,261, filed on Jul. 27, 2012, entitled Bowl With Utensil Retention Feature; U.S. Design patent application Ser. No. 29/428,270, filed on Jul. 27, 2012, entitled Bowl With Utensil Retention Feature; U.S. Design patent application Ser. No. 29/428,276, filed on Jul. 27, 2012, entitled Bowl With Utensil Retention Feature; and U.S. Design patent application Ser. No. 29/428,279, filed on Jul. 27, 2012, entitled Bowl With Utensil Retention Feature. The disclosure of these Design Applications is considered part of and is incorporated by reference in the disclosure of this design application.

FIG. 1 is a top perspective view showing an embodiment of a bowl with a utensil retention feature;  
 FIG. 2 is a front view of FIG. 1;  
 FIG. 3 is a back view of FIG. 1;  
 FIG. 4 is a side view of FIG. 1;  
 FIG. 5 is another side view of FIG. 1;  
 FIG. 6 is a top view of FIG. 1;  
 FIG. 7 is a bottom view of FIG. 1;  
 FIG. 8 is a top perspective view showing a second embodiment of a bowl with a utensil retention feature;  
 FIG. 9 is a front view of FIG. 8;  
 FIG. 10 is a back view of FIG. 8;  
 FIG. 11 is a side view of FIG. 8;  
 FIG. 12 is another side view of FIG. 8;  
 FIG. 13 is a top view of FIG. 8;

FIG. 14 is a bottom view of FIG. 8;  
FIG. 15 is a top perspective view showing a third embodiment  
of a bowl with a utensil retention feature;  
FIG. 16 is a front view of FIG. 15;  
FIG. 17 is a back view of FIG. 15;  
FIG. 18 is a side view of FIG. 15;  
FIG. 19 is another side view of FIG. 15;

FIG. 20 is a top view of FIG. 15; and,  
FIG. 21 is a bottom view of FIG. 15.  
The broken lines of the preceding Figures are included for the  
purpose of illustrating environment and form no part of the  
claimed design.

**1 Claim, 14 Drawing Sheets**

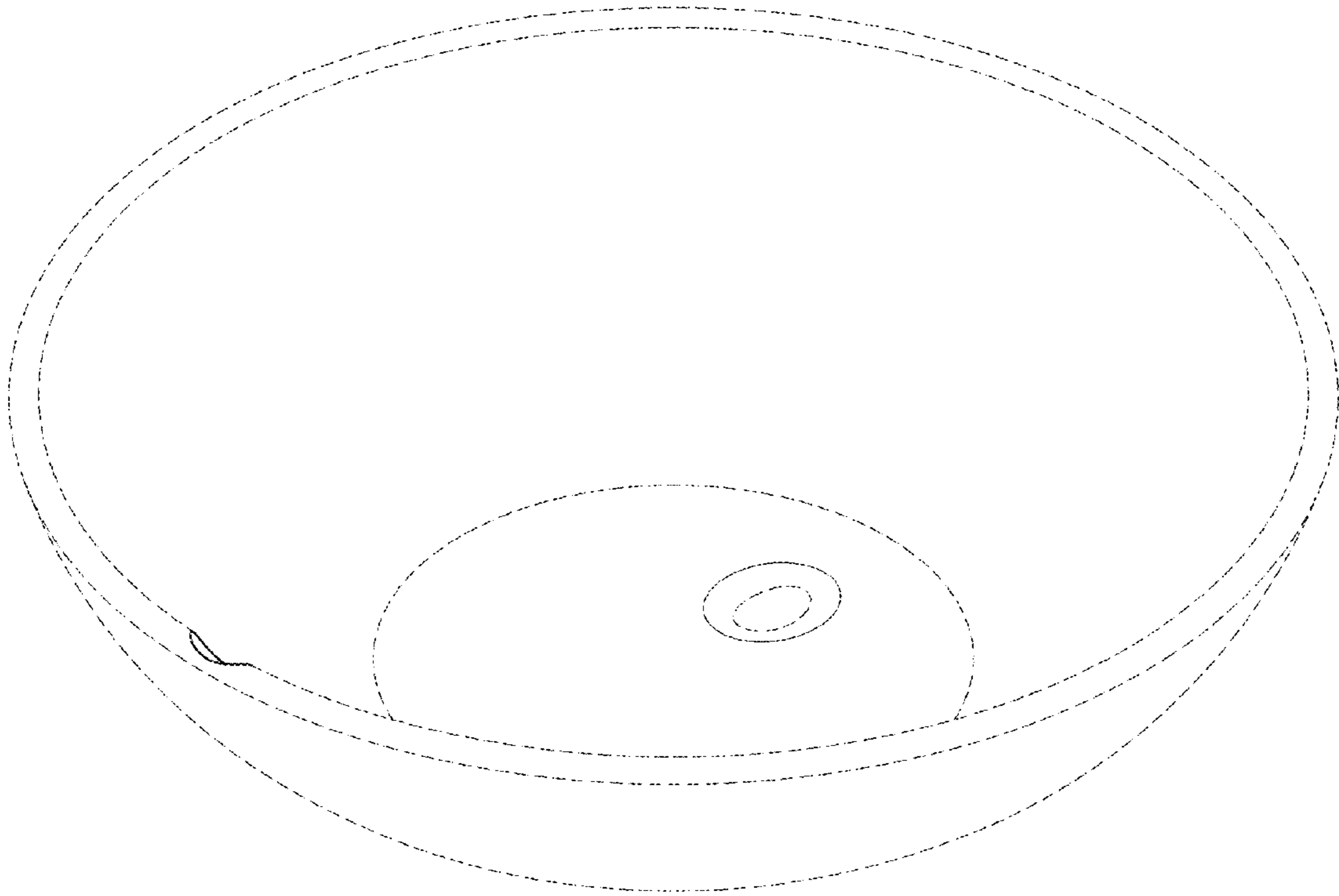


FIG. 1

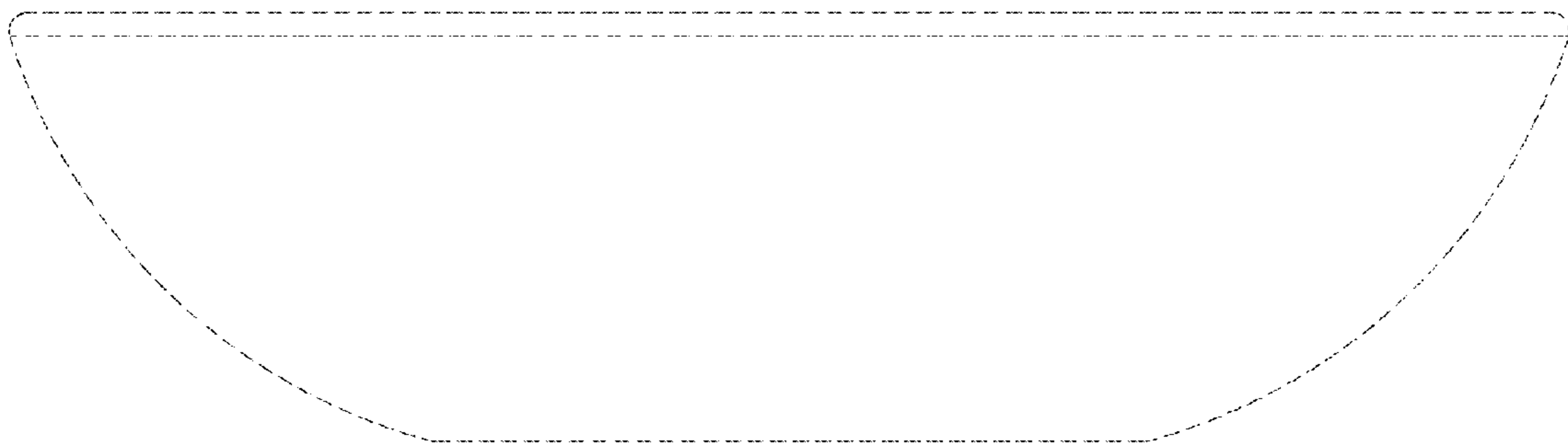


FIG. 2



FIG. 3



FIG. 4

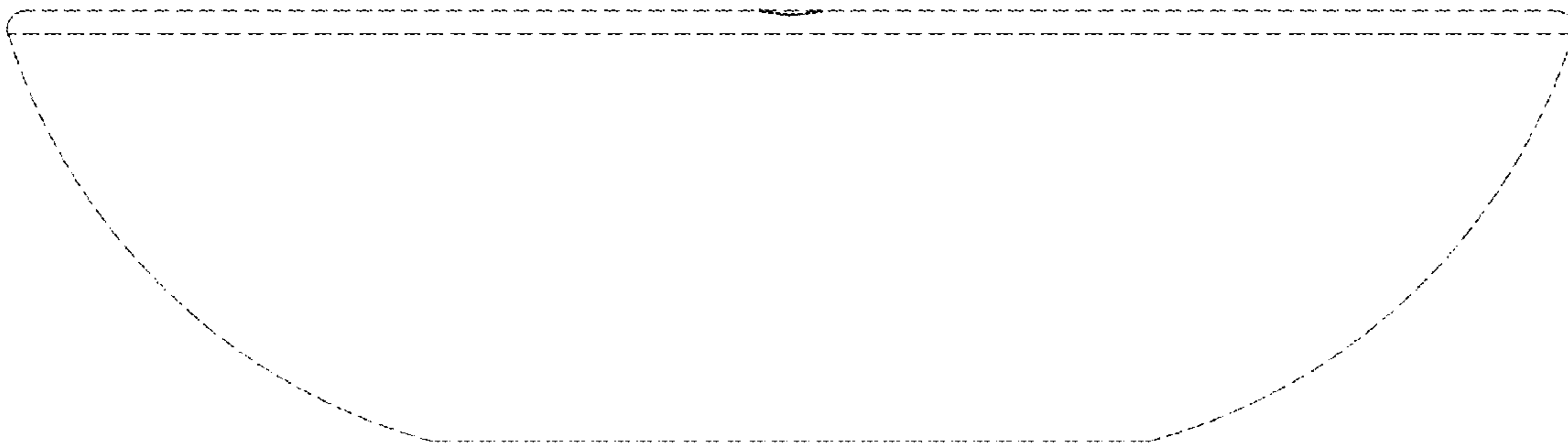


FIG. 5

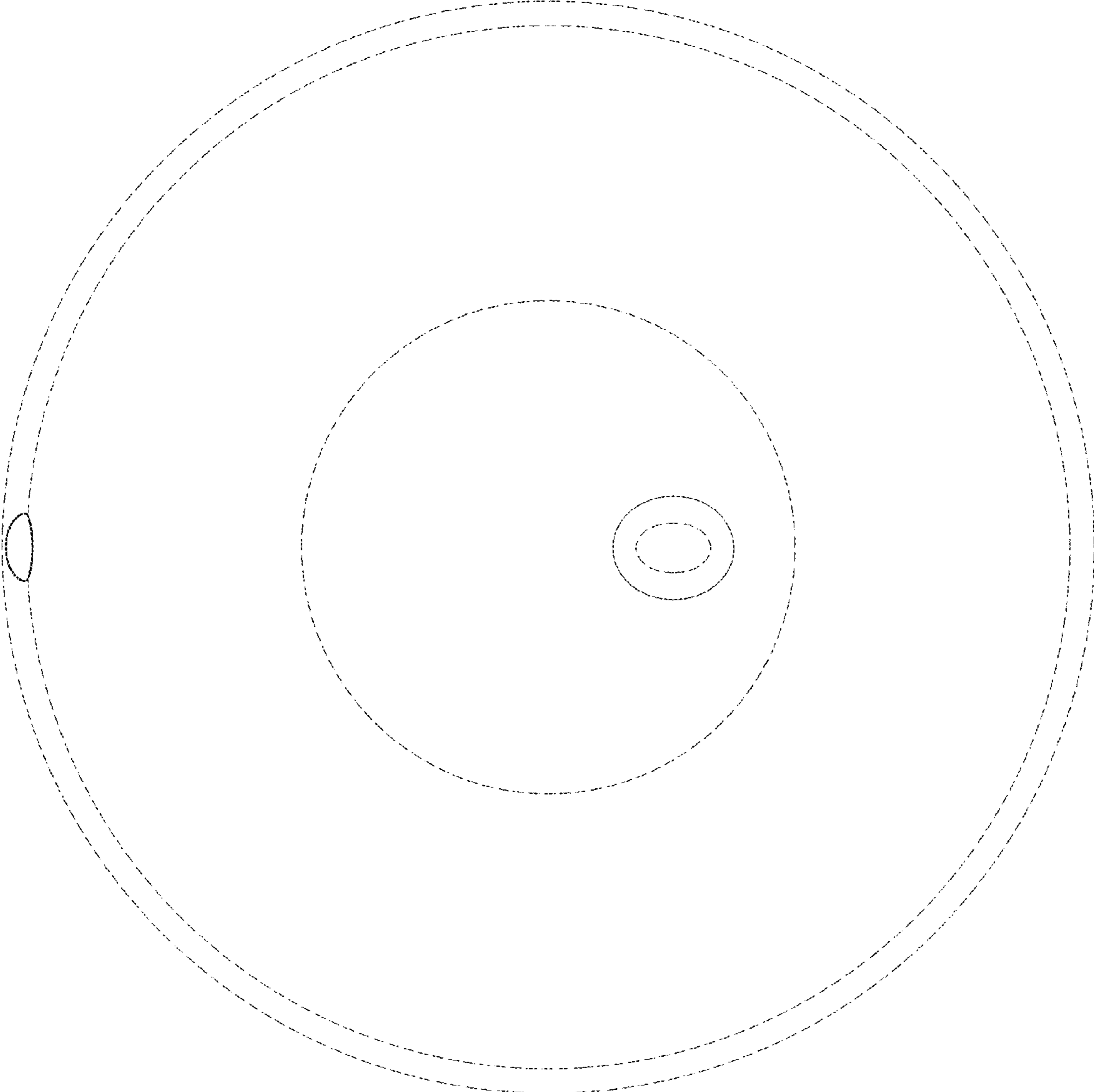


FIG. 6

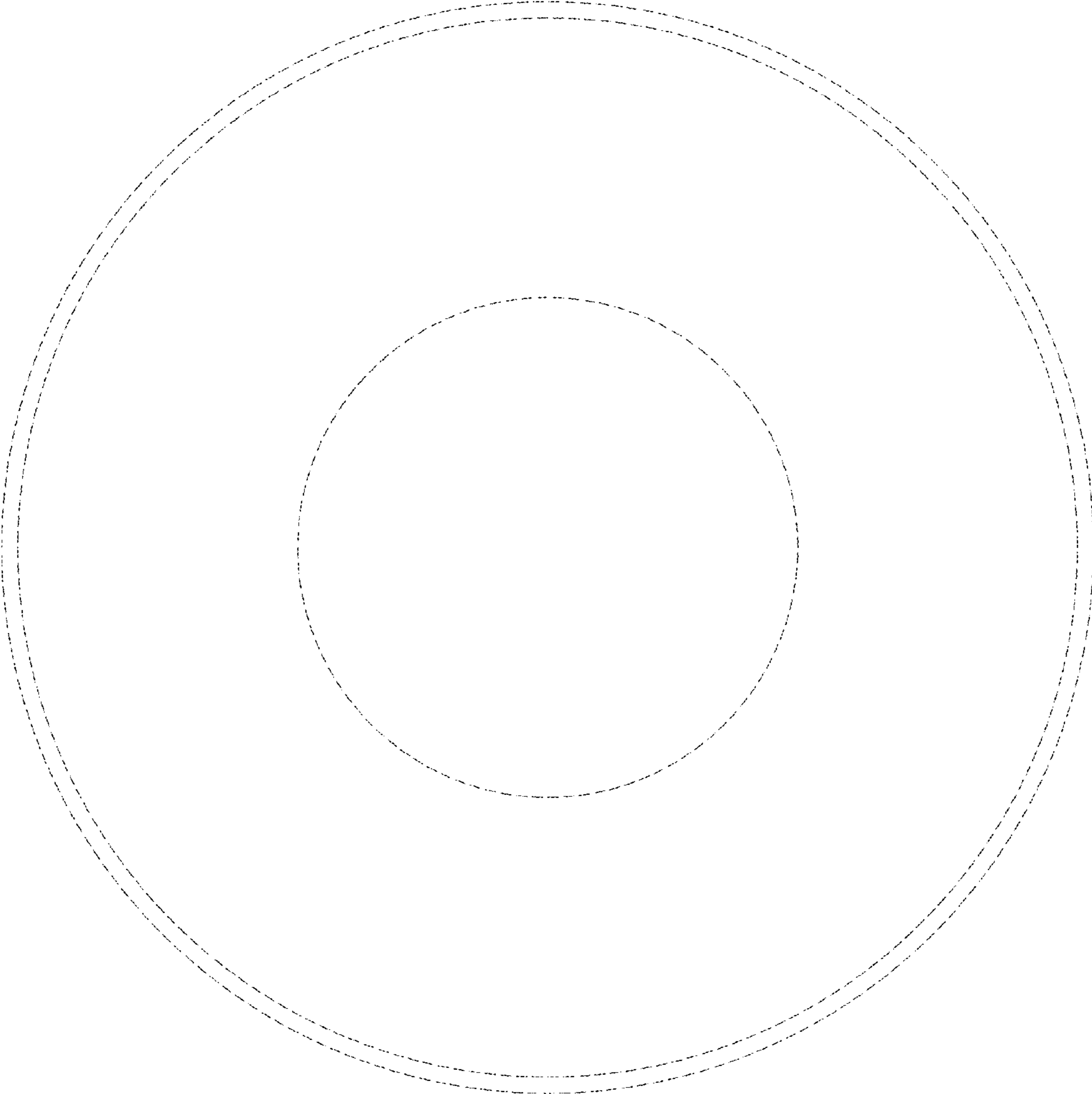


FIG. 7

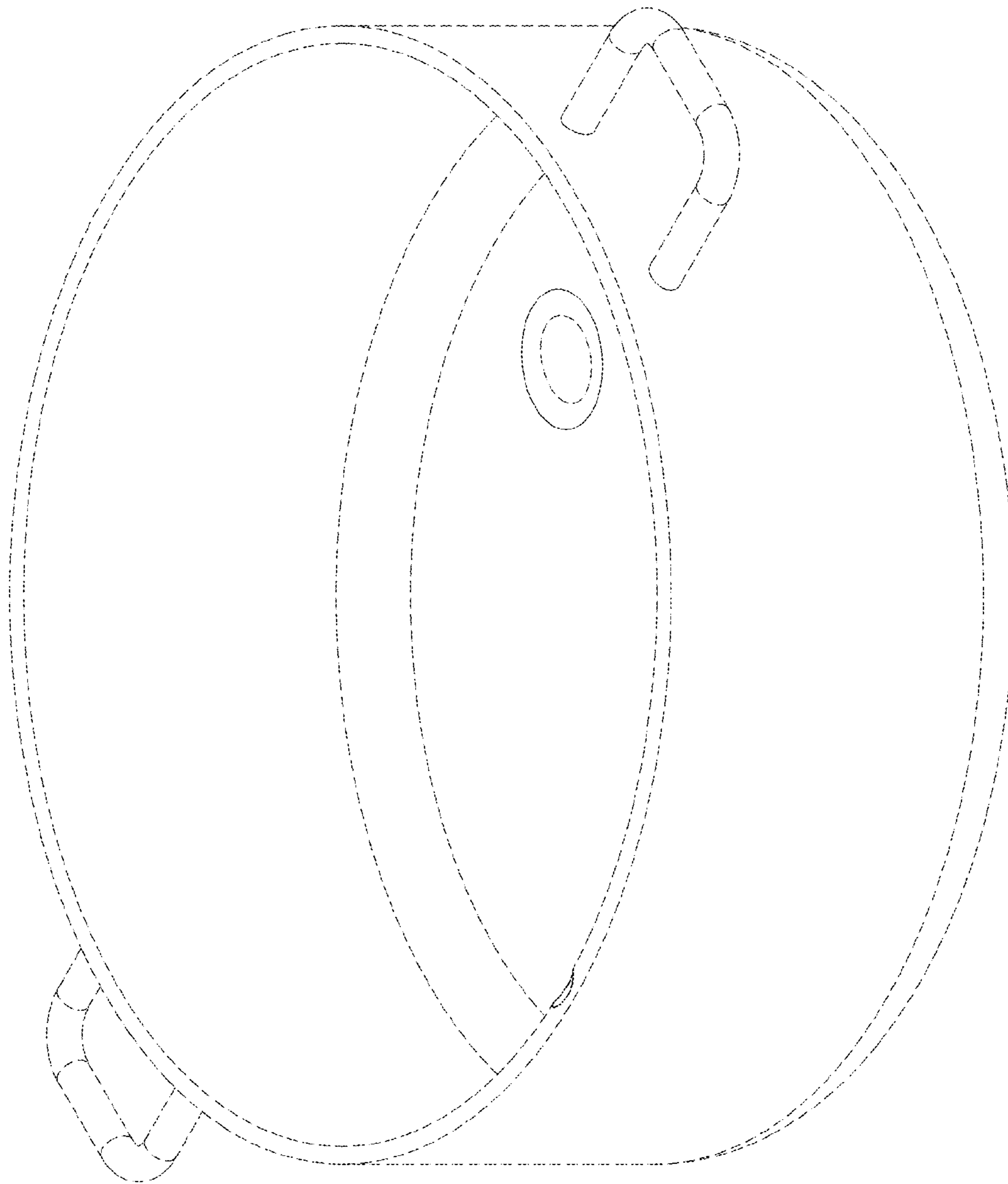


FIG. 8



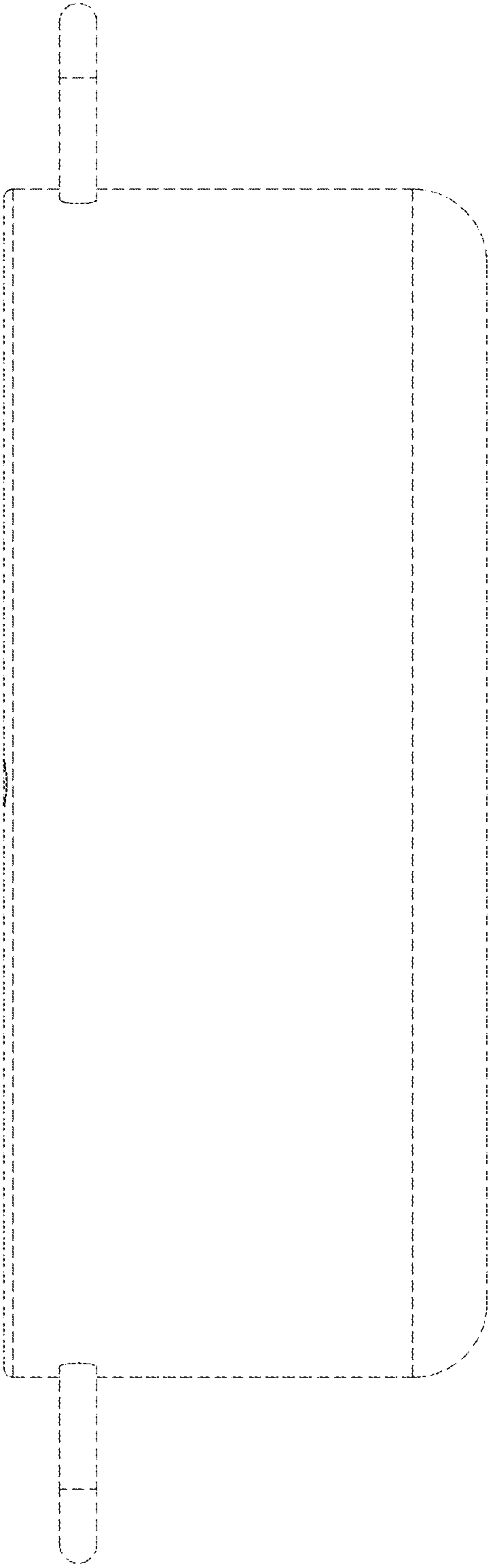


FIG. 9

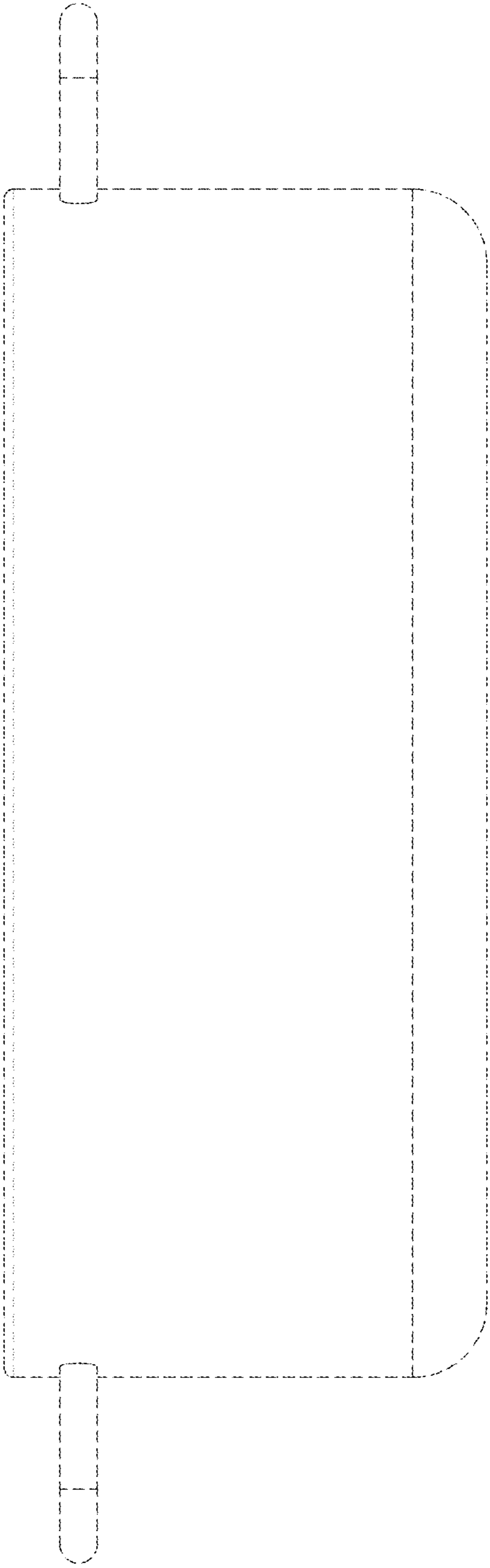


FIG. 10

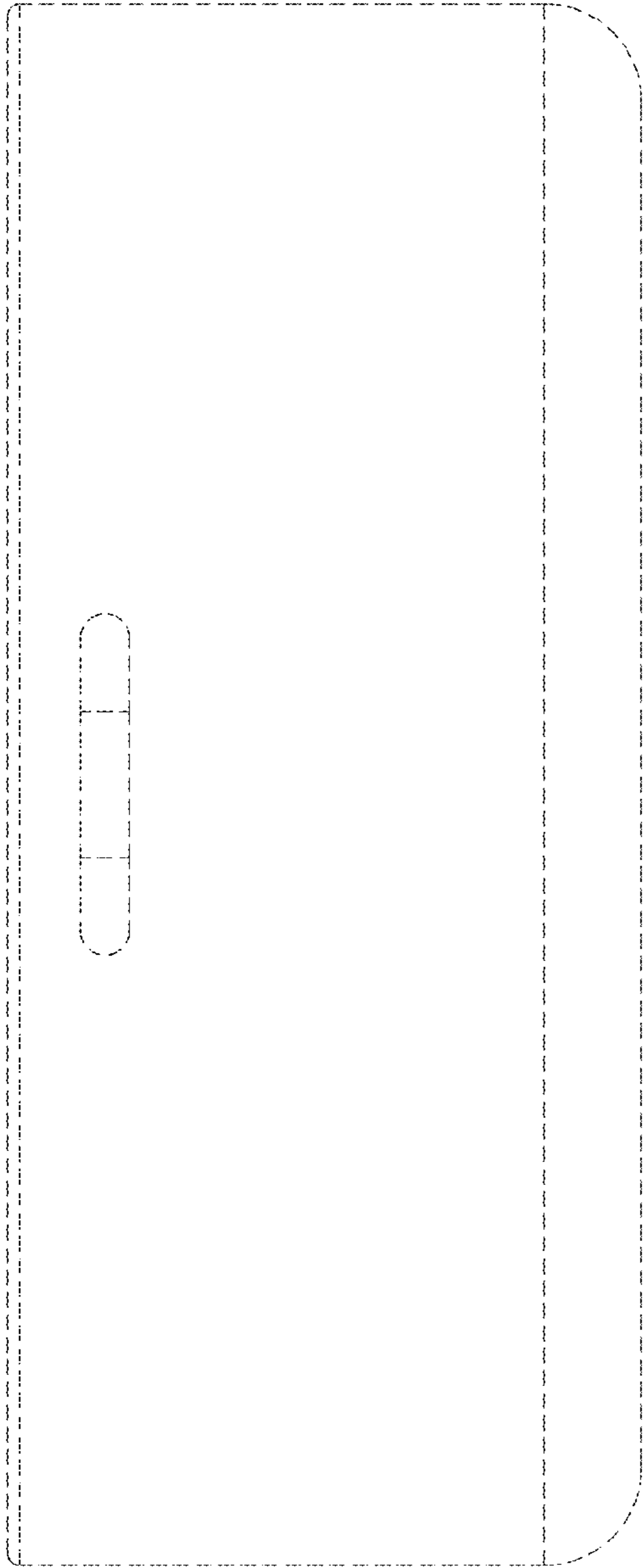


FIG. 11

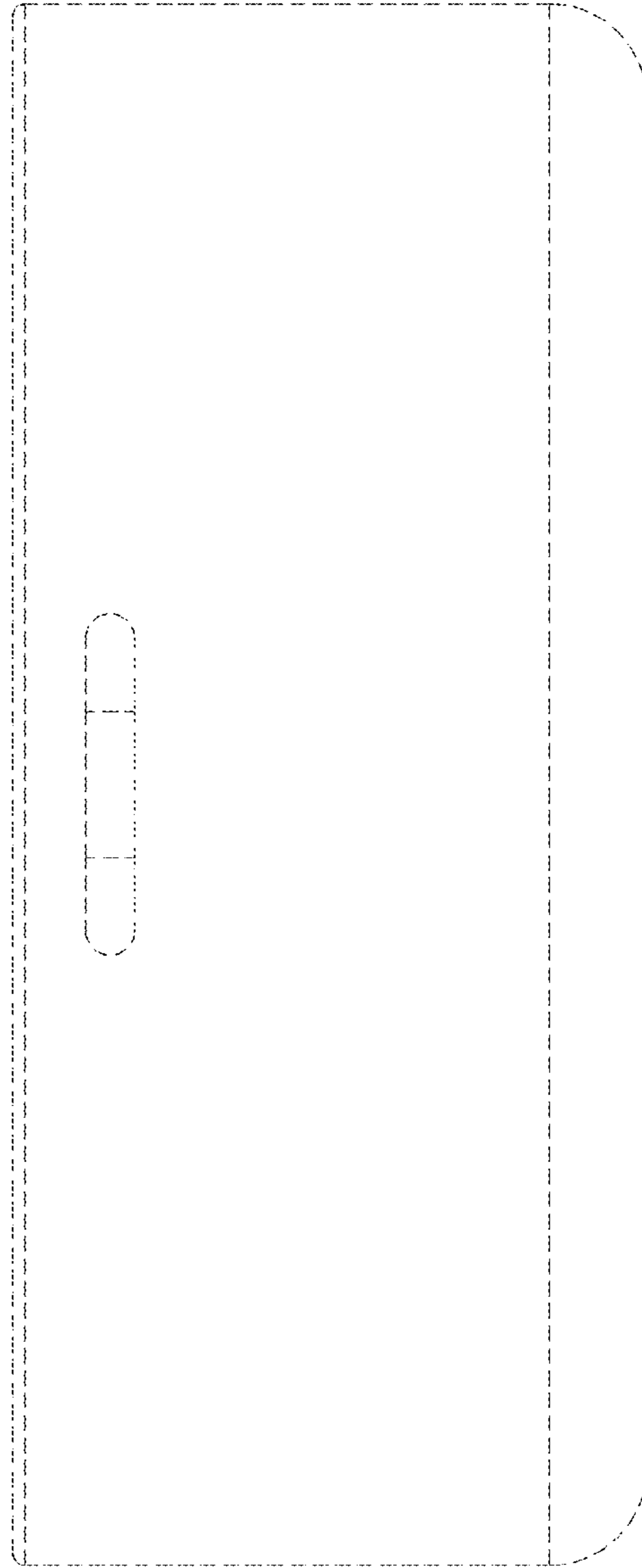


FIG. 12

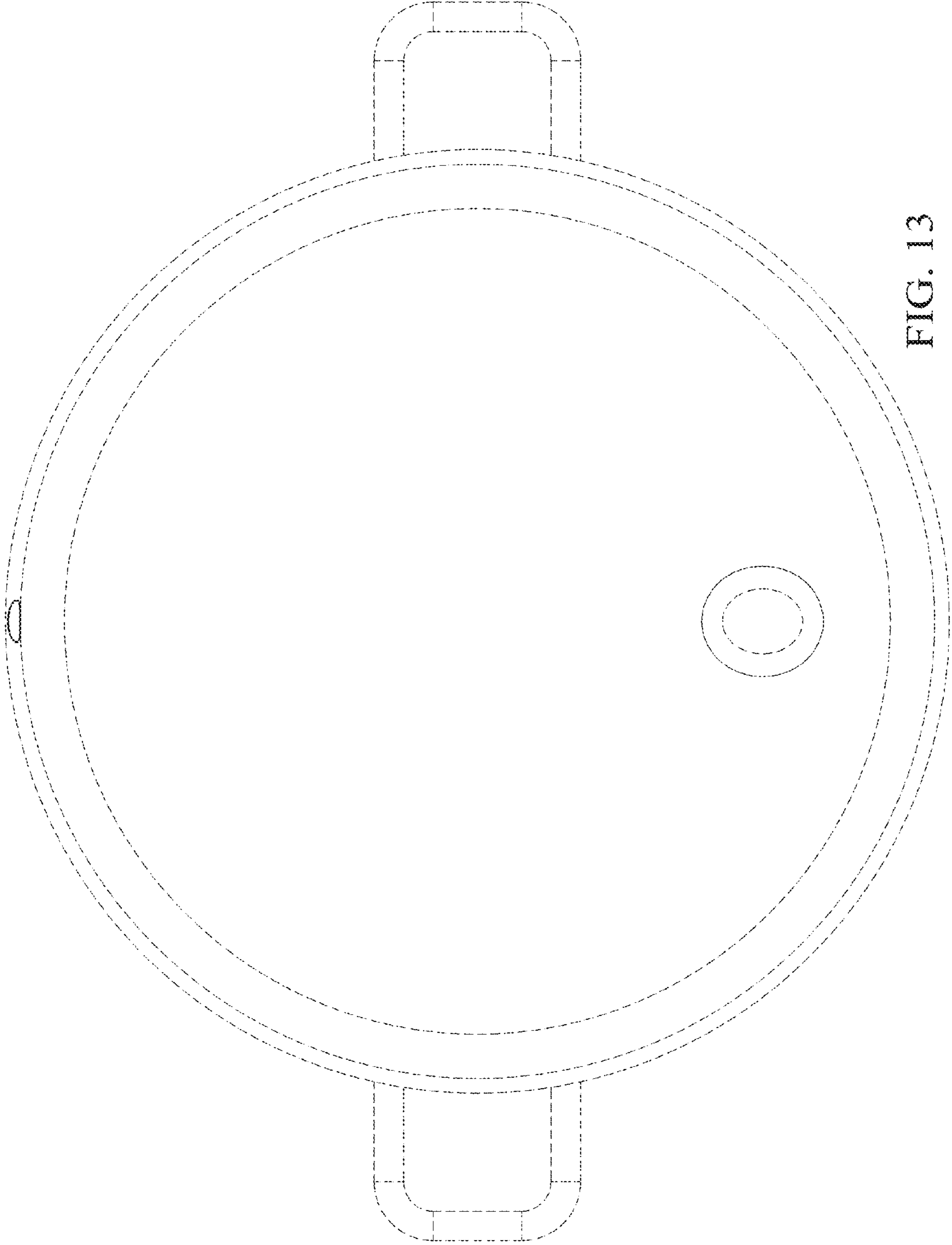


FIG. 13

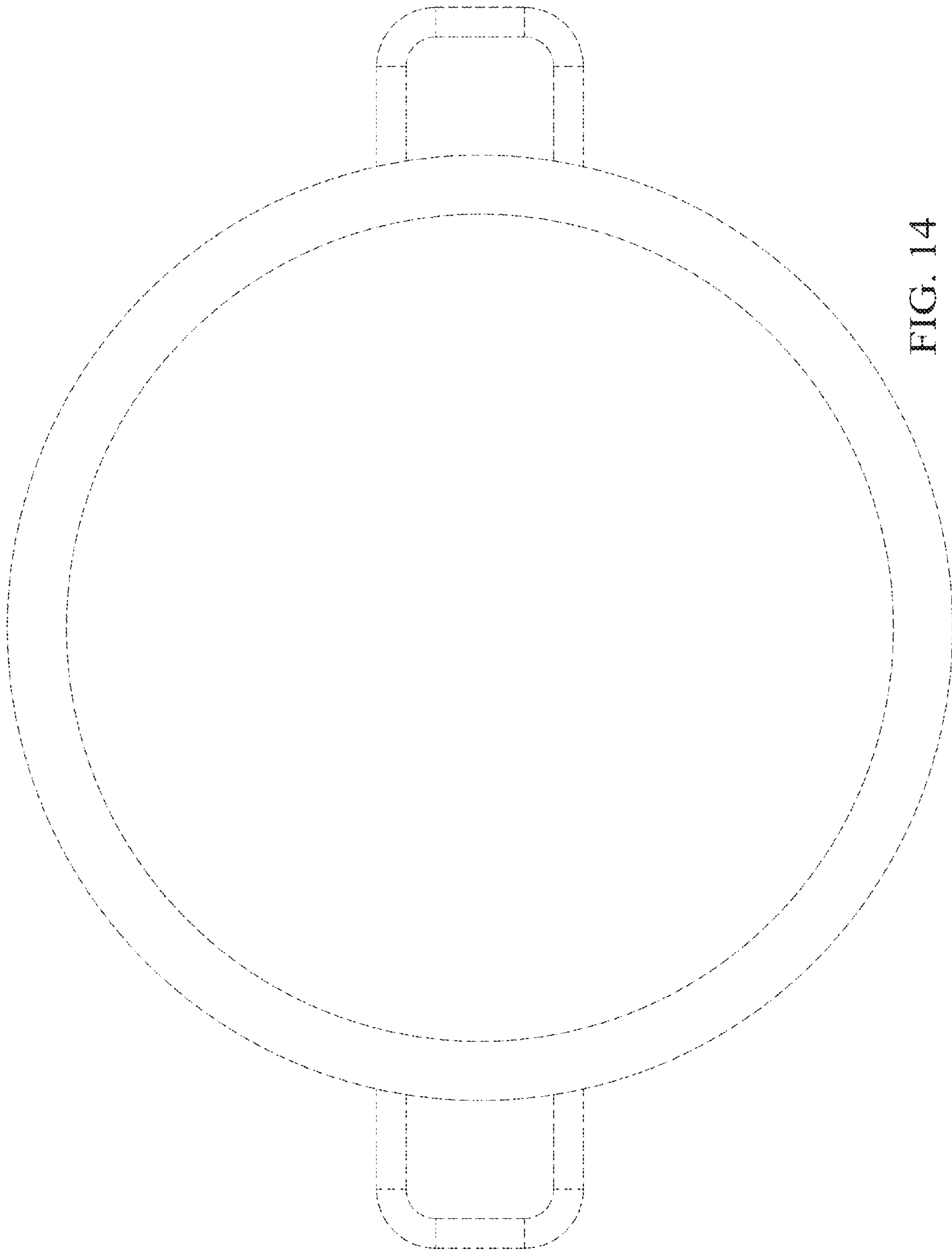


FIG. 14

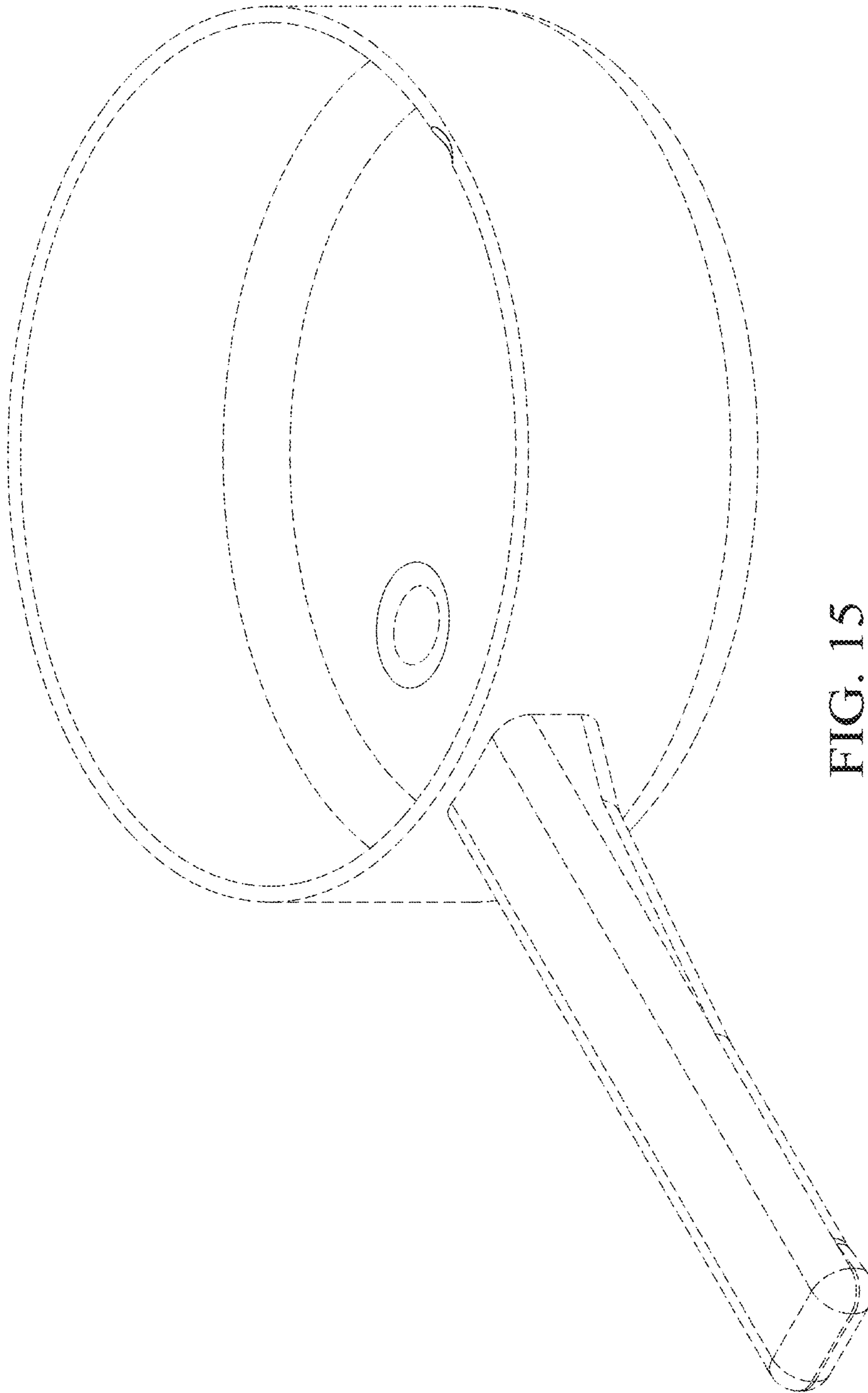


FIG. 15

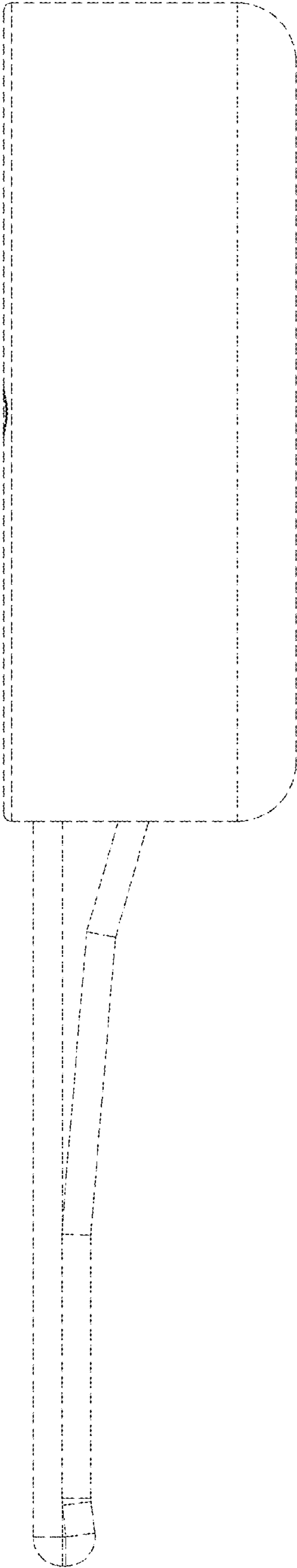


FIG. 16

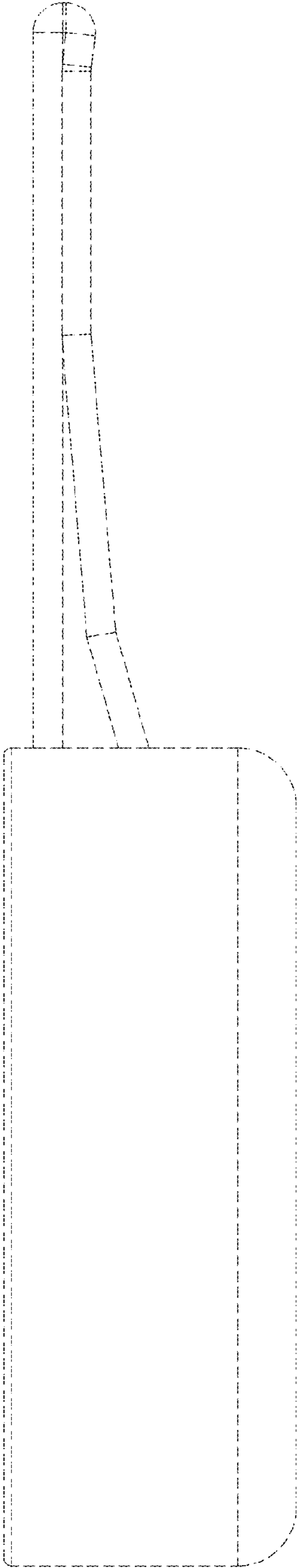


FIG. 17

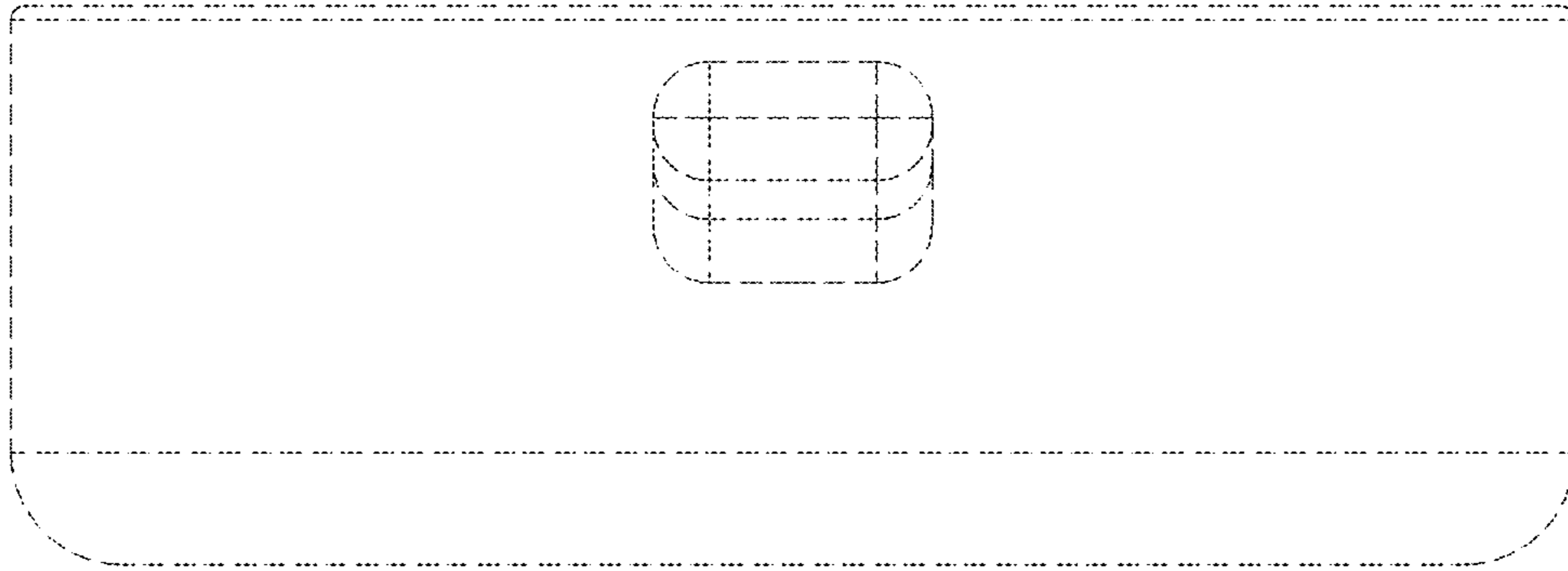


FIG. 18

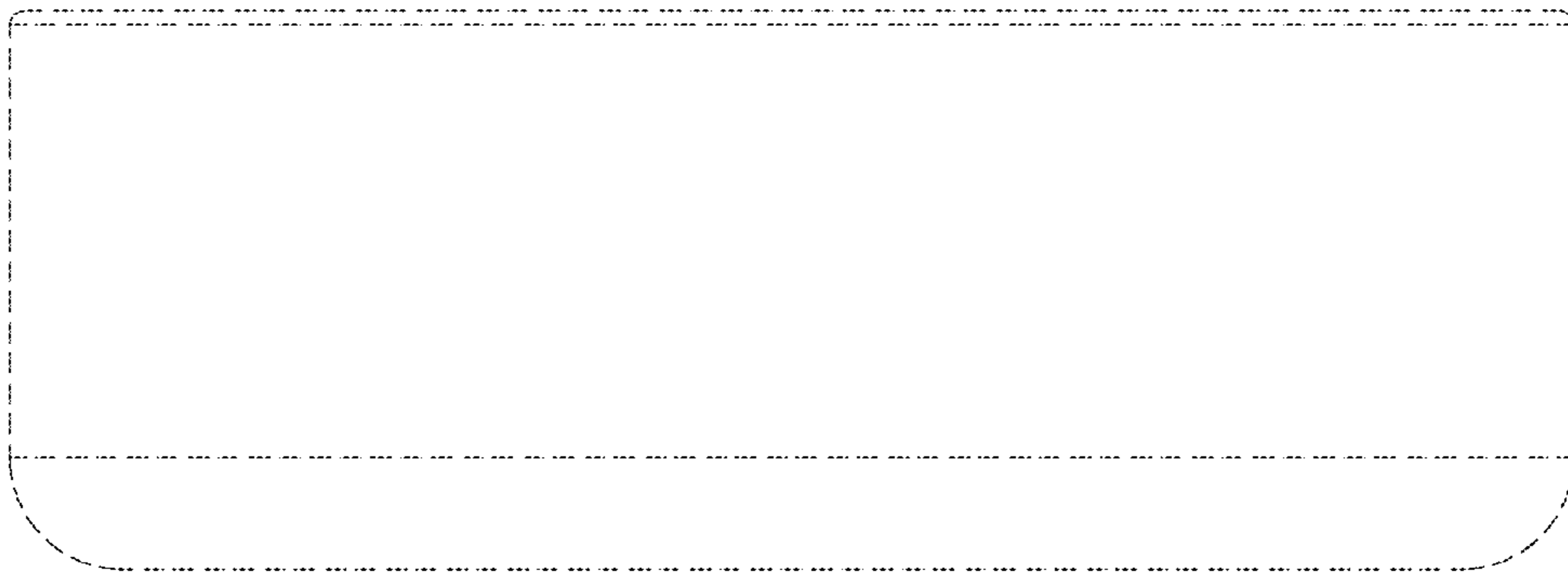


FIG. 19

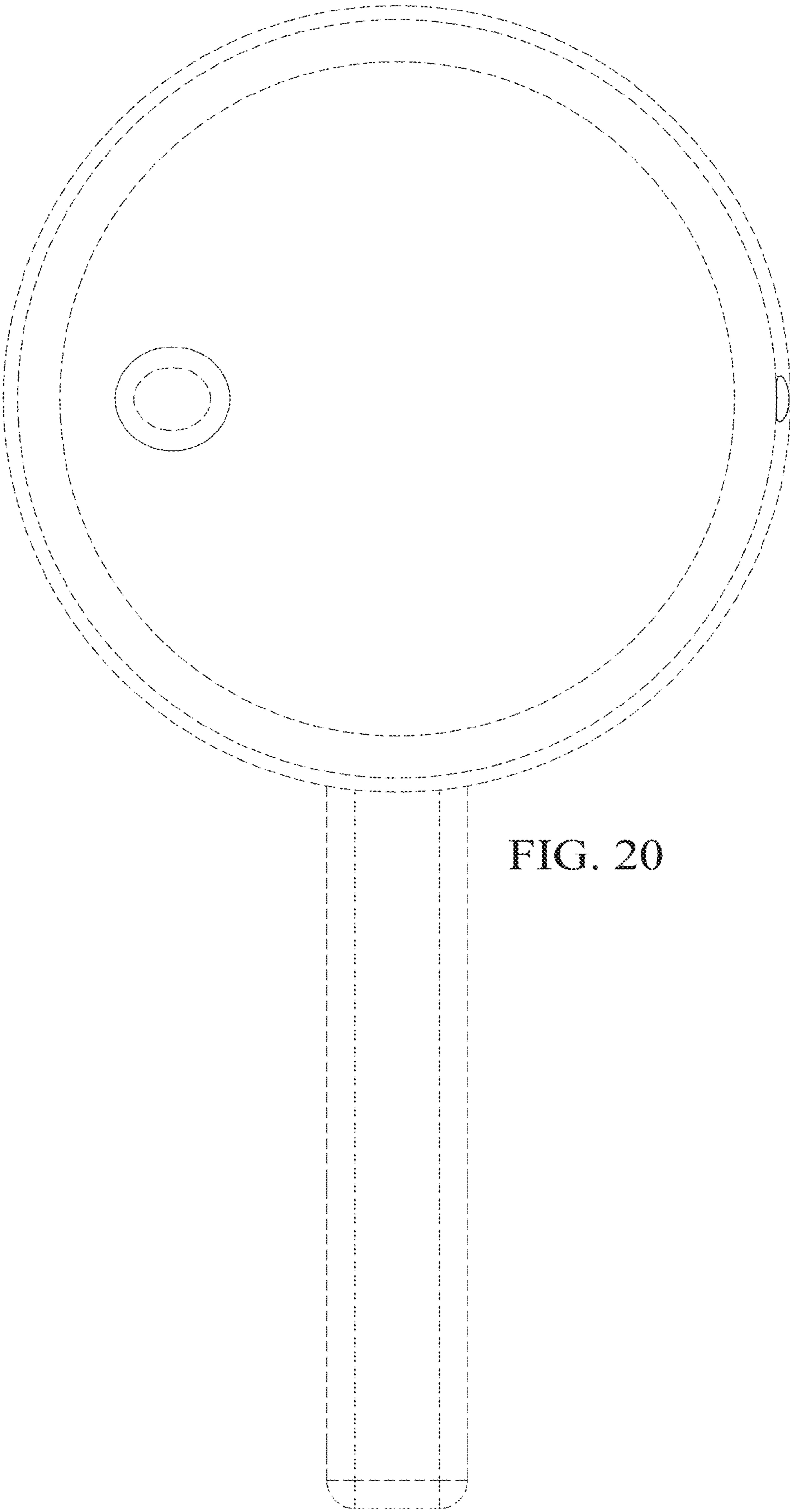


FIG. 20



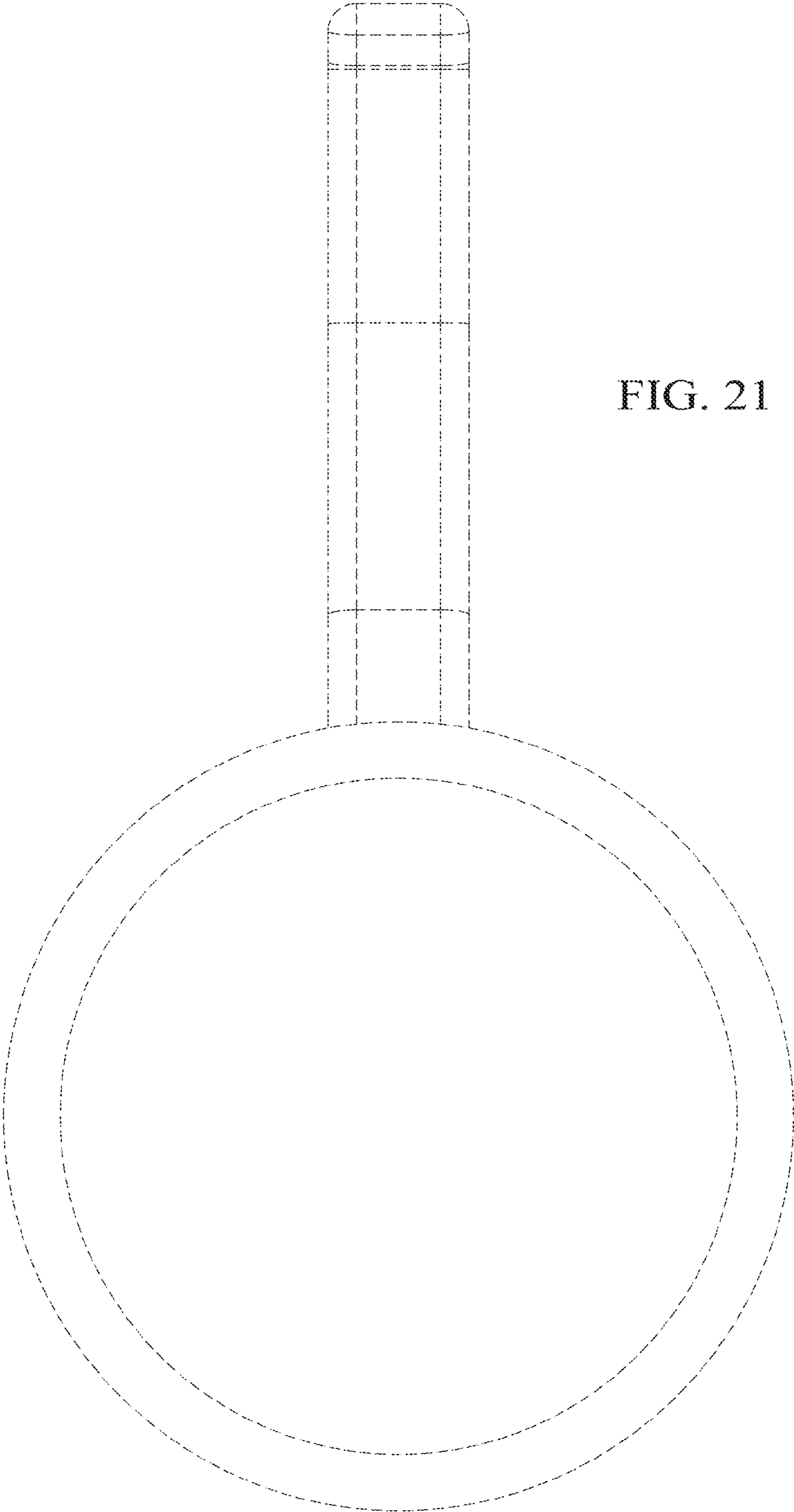


FIG. 21