



US00D686872S

(12) **United States Design Patent**  
**Lane**

(10) **Patent No.:** **US D686,872 S**  
(45) **Date of Patent:** **\*\* Jul. 30, 2013**

(54) **LID FOR DRINK BOTTLE WITH NOZZLE COVER, CARRY LOOP AND COVER LOCK**

(75) Inventor: **Marvin Lane**, Round Lake Beach, IL (US)

(73) Assignee: **Thermos L.L.C.**, Schaumburg, IL (US)

(\*\*) Term: **14 Years**

(21) Appl. No.: **29/430,548**

(22) Filed: **Aug. 27, 2012**

(51) **LOC (9) Cl.** ..... **07-02**

(52) **U.S. Cl.**  
USPC ..... **D7/392.1**; D9/449

(58) **Field of Classification Search**  
USPC ..... D7/300, 300.1, 391, 392, 392.1, D7/396.2, 509-511, 523, 608, 900; D9/443, D9/446, 447, 449, 450, 453, 454, 505; 215/11.6, 215/44, 224, 229, 306, 311; 220/3.75, 23.83, 220/212.5, 292, 714, 705; 222/83, 420, 450, 222/530, 543

See application file for complete search history.

(56) **References Cited**

**U.S. PATENT DOCUMENTS**

6,405,885	B1 *	6/2002	Elliott	215/237
D463,280	S *	9/2002	Brozell	D9/449
6,484,895	B2 *	11/2002	Montgomery et al.	215/237
D492,597	S *	7/2004	Norris et al.	D9/442
D515,921	S *	2/2006	Marroncles	D9/449
D536,975	S *	2/2007	Smith et al.	D9/449
D539,141	S *	3/2007	Penfold et al.	D9/442
D547,184	S *	7/2007	Kim et al.	D9/449
D608,640	S *	1/2010	Carreno	D9/449
D609,093	S *	2/2010	Wisniewski et al.	D9/449
7,735,665	B2 *	6/2010	Robinson	215/237
D631,347	S *	1/2011	Rudolph et al.	D9/446
D650,672	S *	12/2011	Krallmann	D9/449
8,376,182	B2 *	2/2013	Lepage	220/831
2011/0170807	A1 *	7/2011	Khubani	383/81
2011/0309078	A1 *	12/2011	Rathbone et al.	220/254.3

\* cited by examiner

*Primary Examiner* — Susan E Krakower

(74) *Attorney, Agent, or Firm* — Schiff Hardin LLP

(57) **CLAIM**

The ornamental design of the lid for drink bottle with nozzle cover, carry loop and cover lock, as shown and described.

**DESCRIPTION**

This application claims the benefit of U.S. Design patent application Ser. No. 29/416,433 filed Mar. 22, 2012, and U.S. Design patent application Ser. No. 29/422,584 filed May 22, 2012, each of which are incorporated herein by reference.

FIG. 1 is a perspective view taken from the upper, front, right-hand side of the lid for drink bottle with nozzle cover, carry loop and cover lock of the present invention;

FIG. 2 is a perspective view taken from the lower, back, left-hand side of the lid for drink bottle with nozzle cover, carry loop and cover lock of FIG. 1;

FIG. 3 is a side elevational view of the left side of the lid for drink bottle with nozzle cover, carry loop and cover lock of FIG. 1;

FIG. 4 is a front elevational view of the lid for drink bottle with nozzle cover, carry loop and cover lock of FIG. 1;

FIG. 5 is a side elevational view of the right side of the lid for drink bottle with nozzle cover, carry loop and cover lock of FIG. 1;

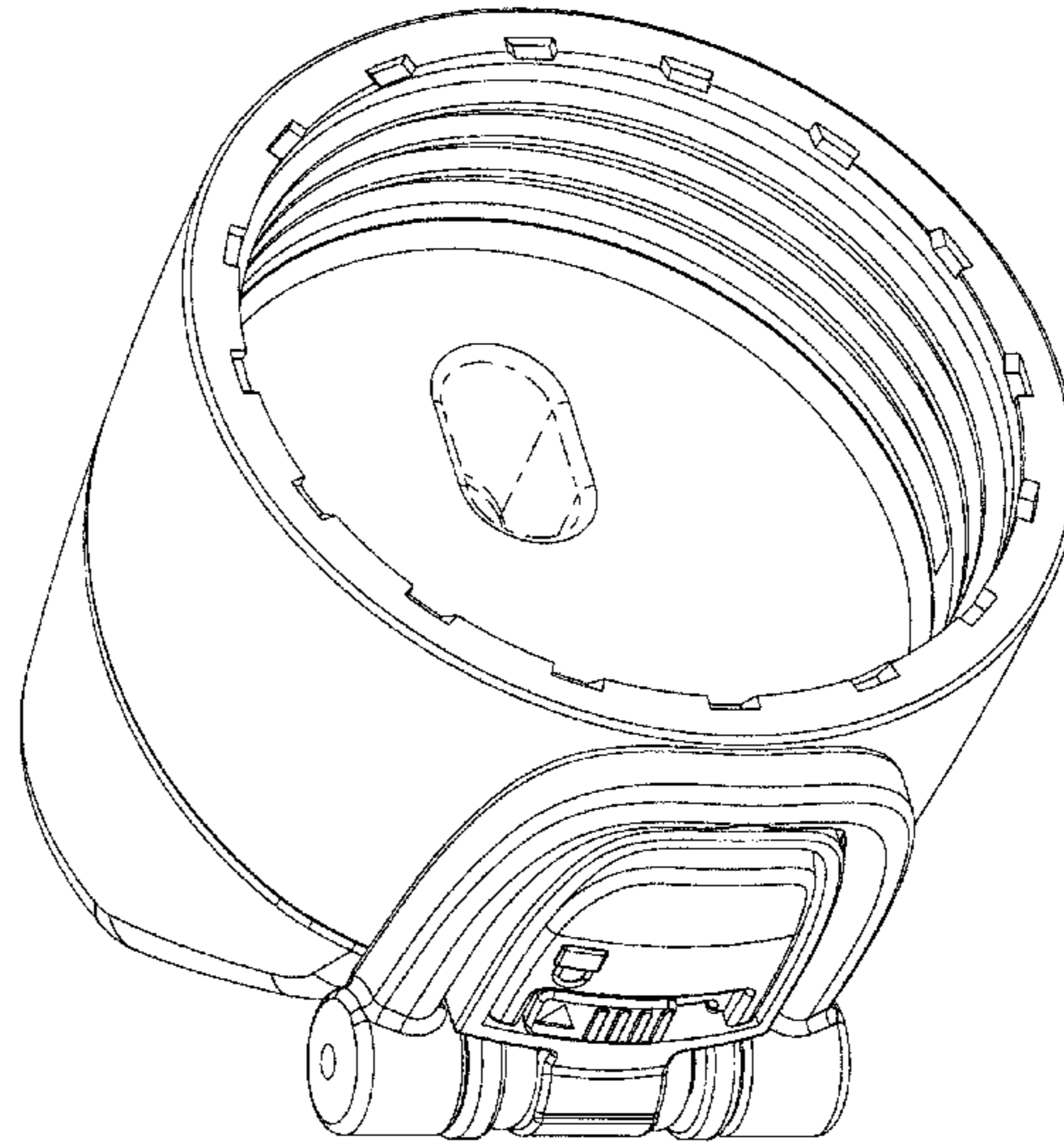
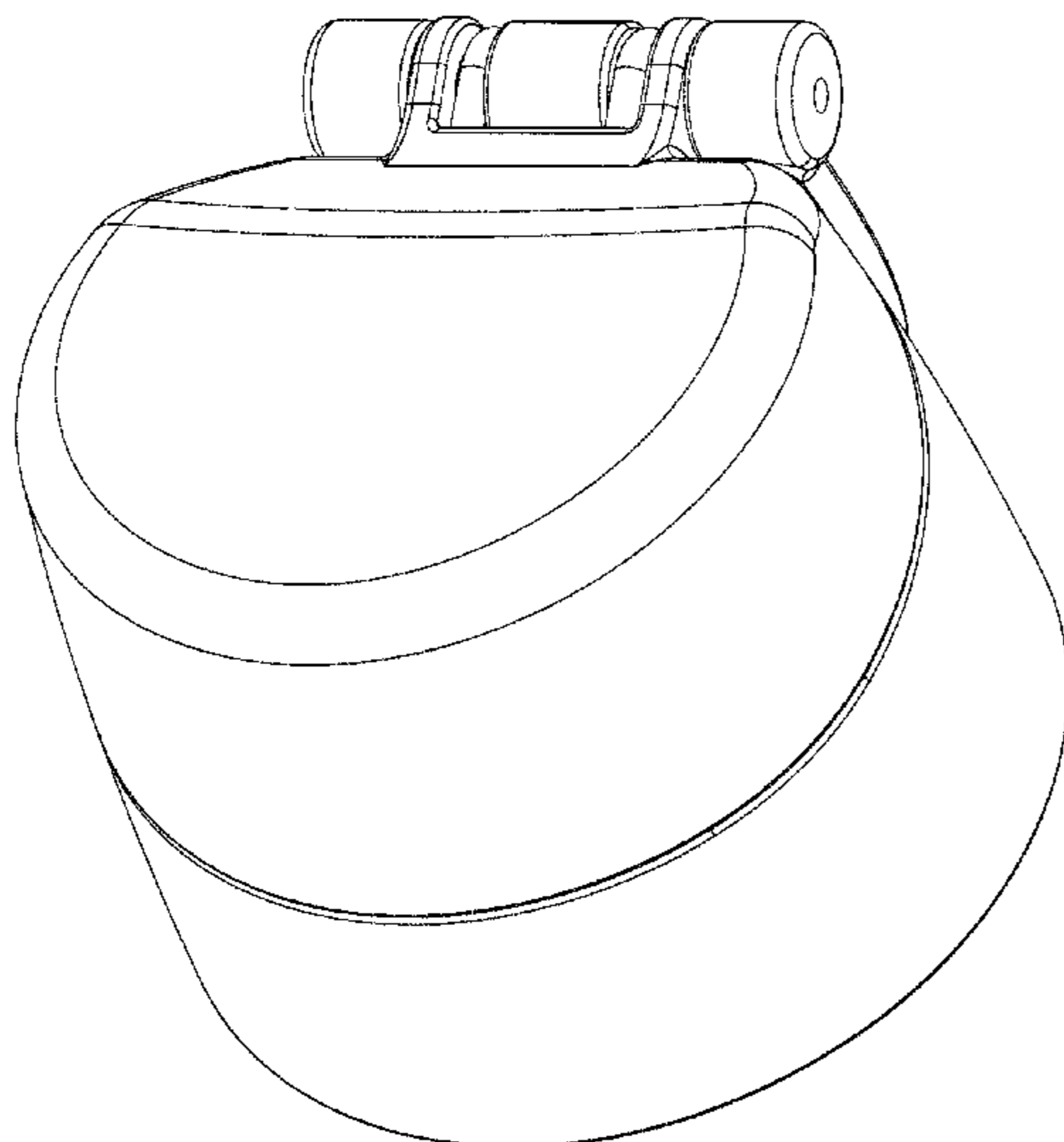
FIG. 6 is a rear elevational view of the lid for drink bottle with nozzle cover, carry loop and cover lock of FIG. 1;

FIG. 7 is a top plan view of the lid for drink bottle with nozzle cover, carry loop and cover lock of FIG. 1; and,

FIG. 8 is a bottom plan view of the lid for drink bottle with nozzle cover, carry loop and cover lock of FIG. 1.

The broken lines illustrate portions of the lid for drink bottle with nozzle cover, carry loop and cover lock which form no part of the claimed design.

**1 Claim, 8 Drawing Sheets**



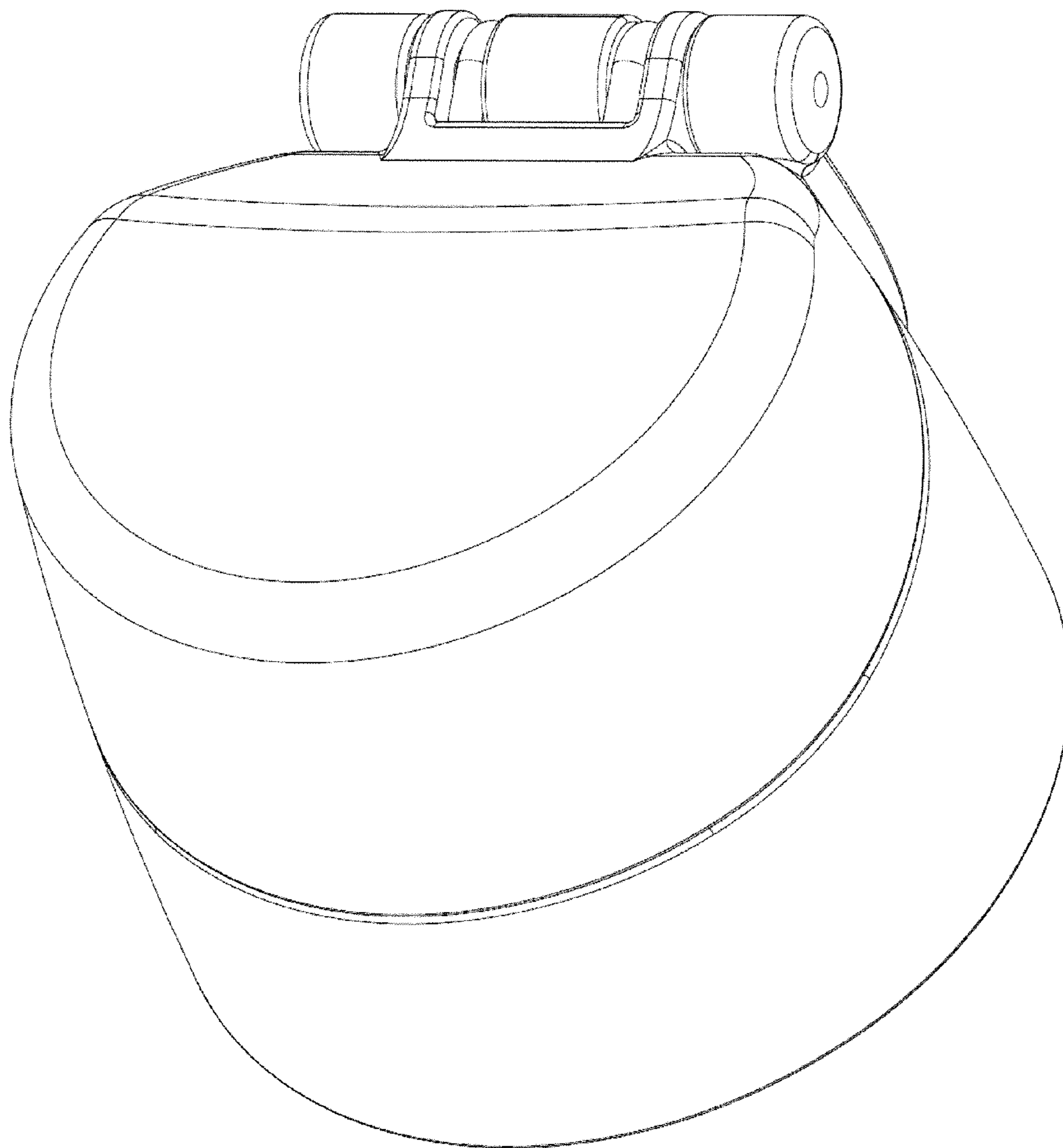


Figure 1

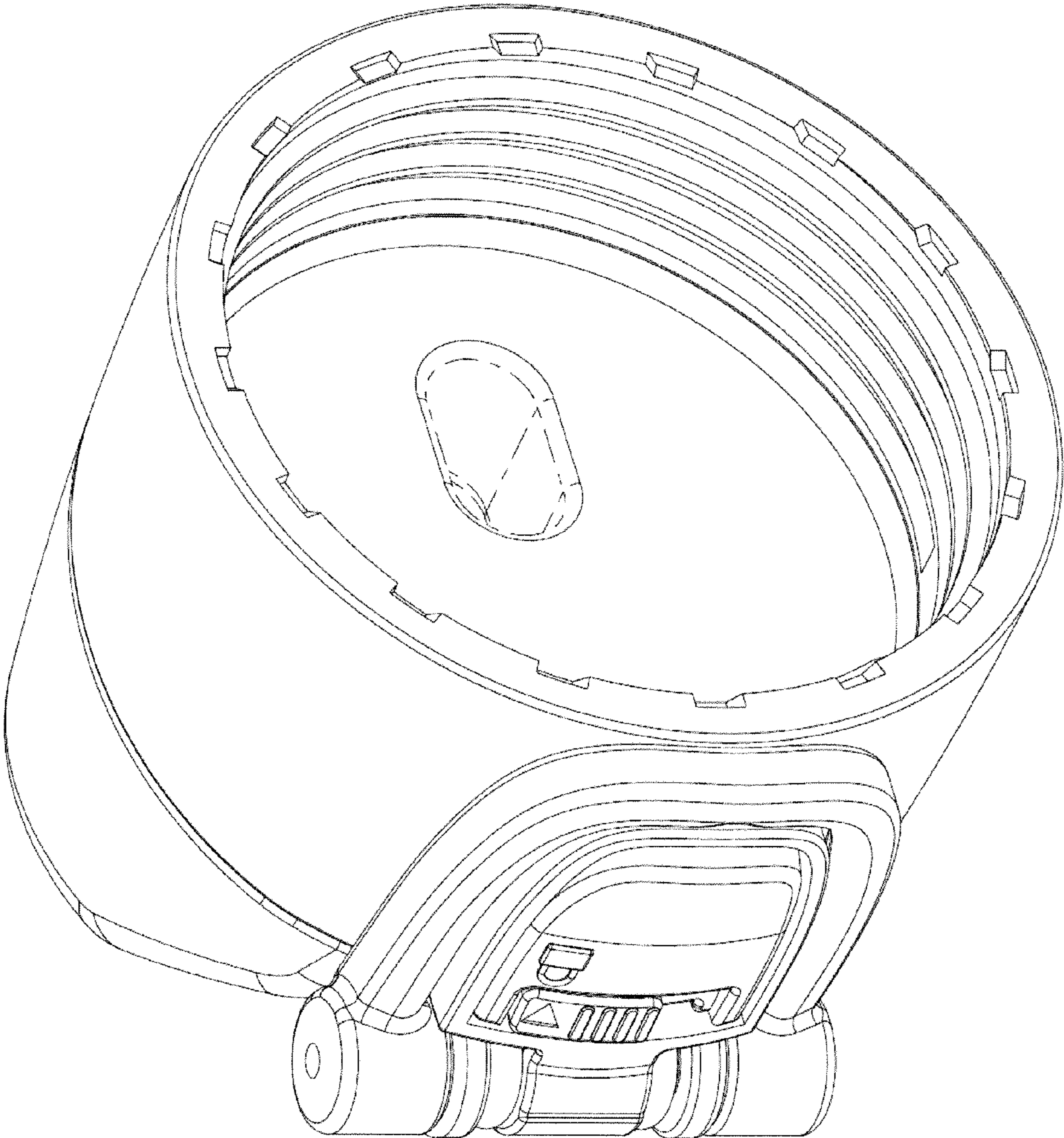


Figure 2

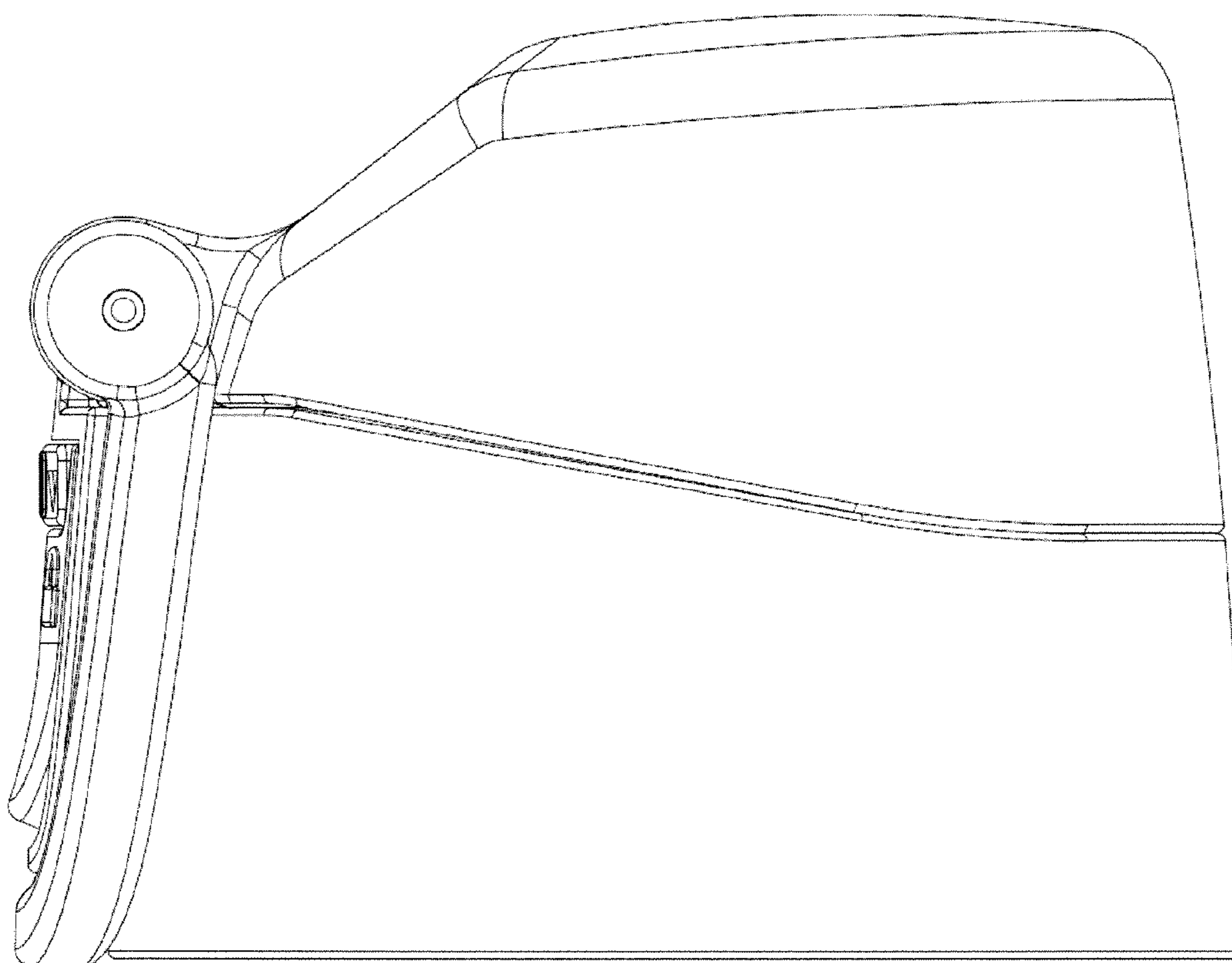


Figure 3

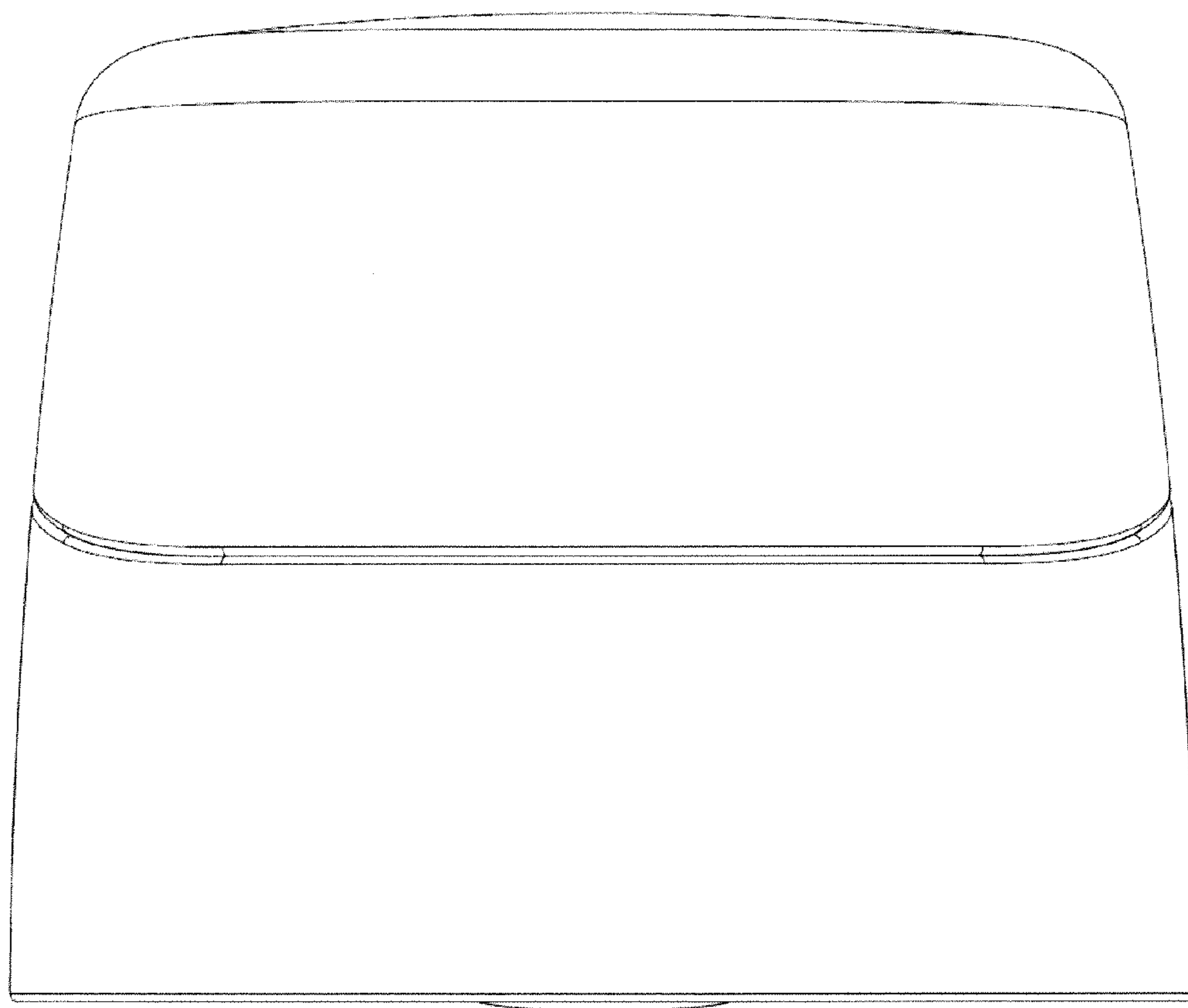


Figure 4

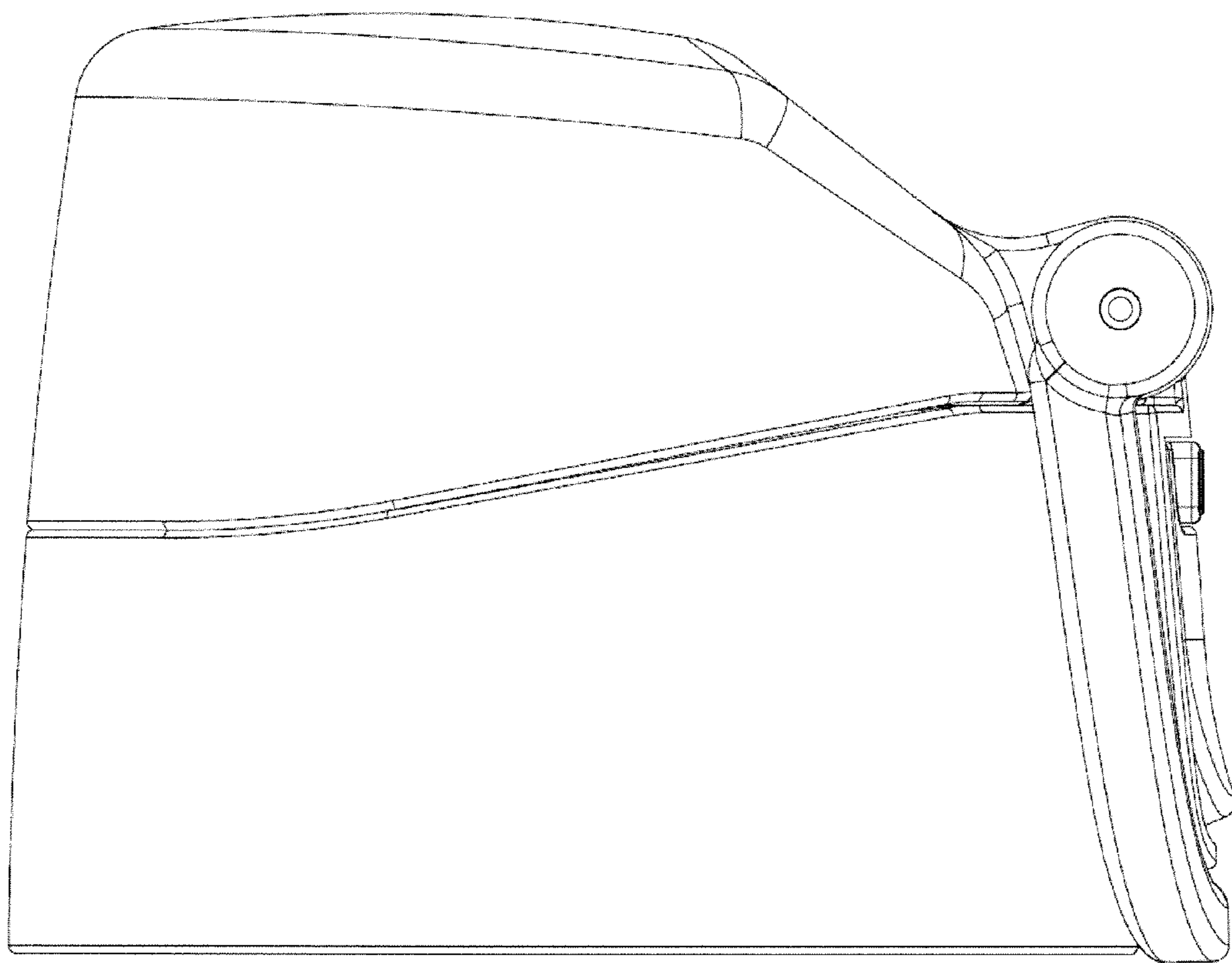


Figure 5

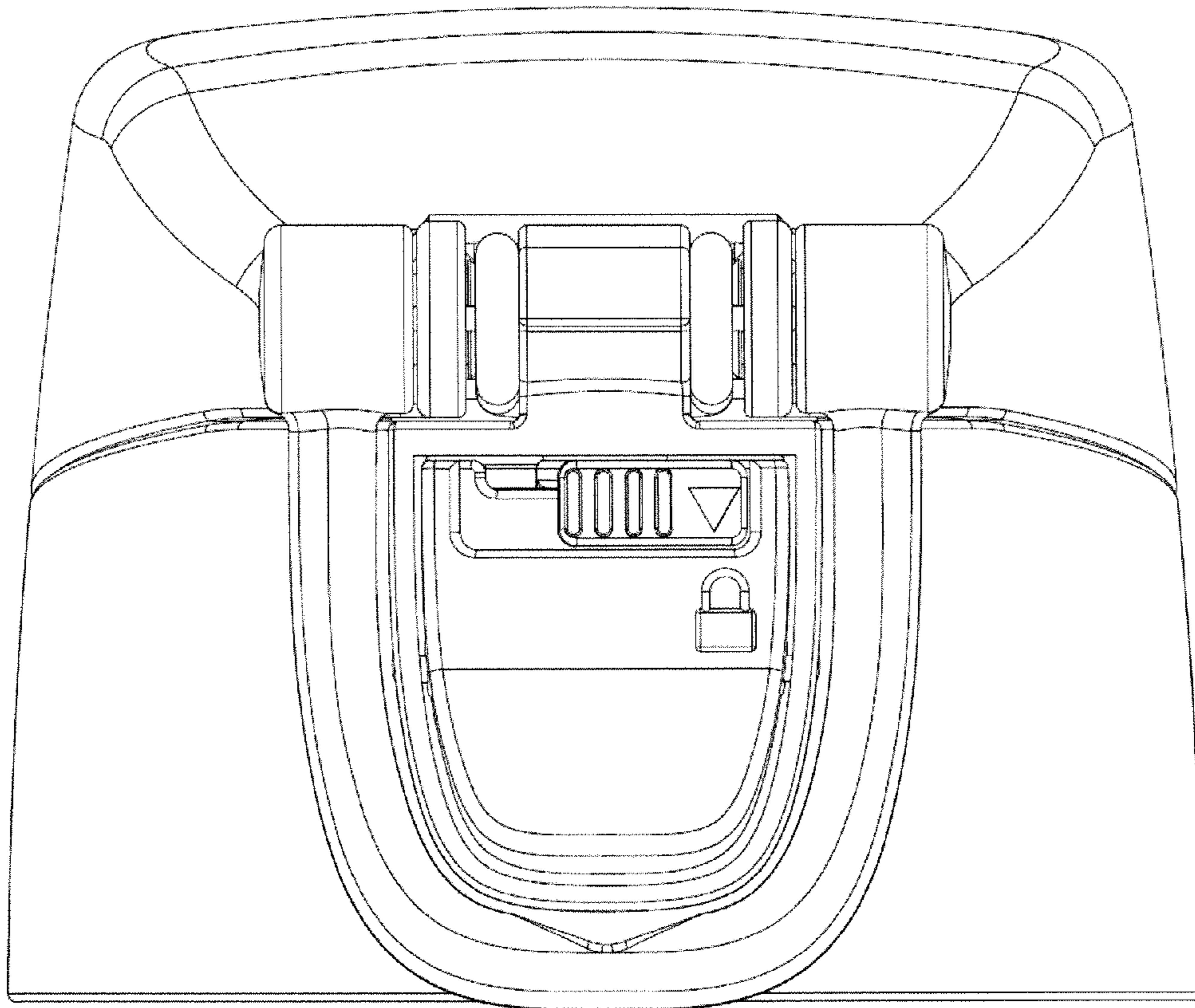


Figure 6

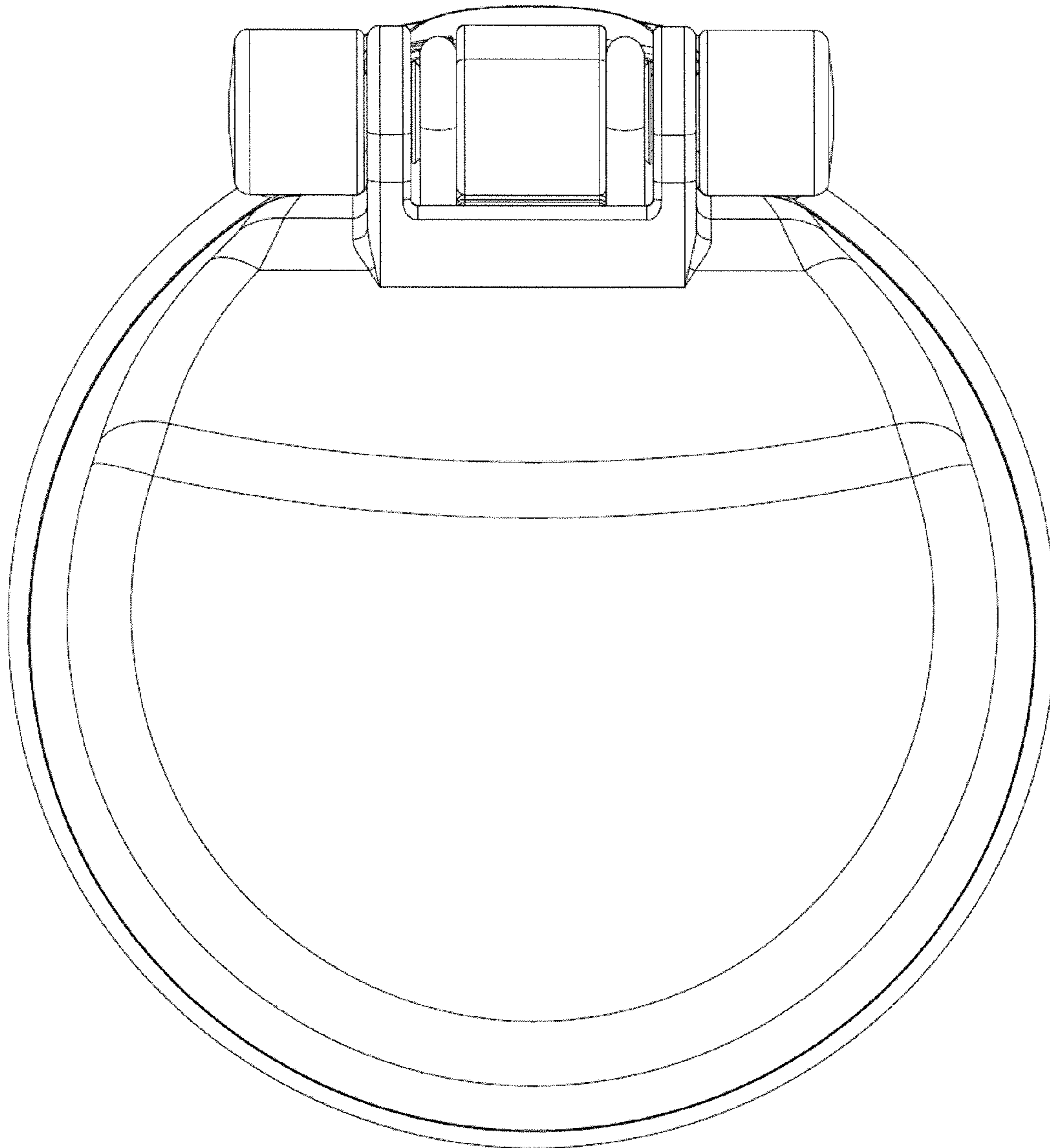


Figure 7



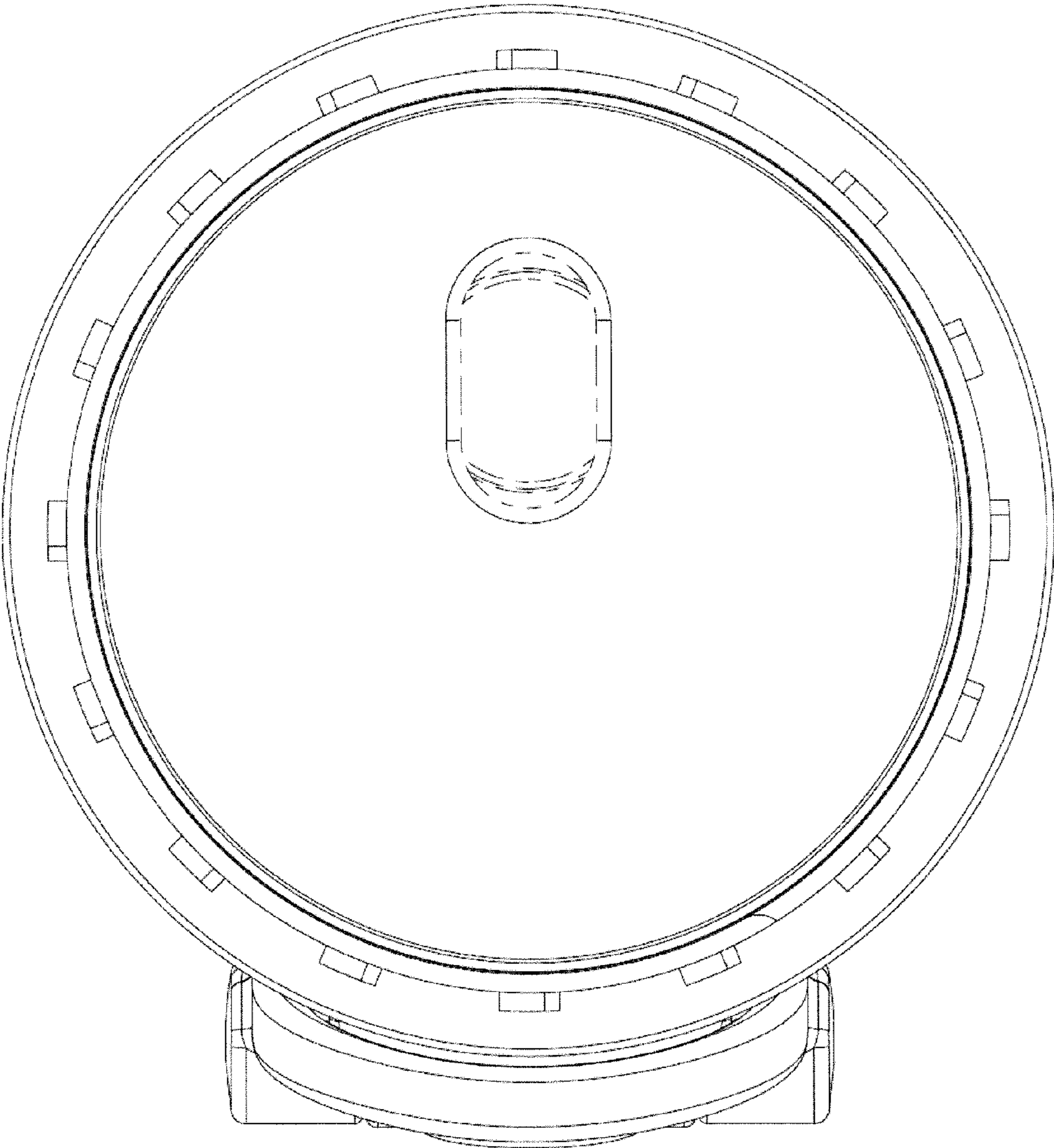


Figure 8