



US00D686871S

(12) **United States Design Patent**
Lane

(10) **Patent No.:** **US D686,871 S**
(45) **Date of Patent:** **** Jul. 30, 2013**

- (54) **LID HAVING FLUTED CROWN FOR DRINK BOTTLE**
- (75) Inventor: **Marvin Lane**, Round Lake Beach, IL (US)
- (73) Assignee: **Thermos L.L.C.**, Schaumburg, IL (US)
- (**) Term: **14 Years**
- (21) Appl. No.: **29/422,422**
- (22) Filed: **May 21, 2012**
- (51) **LOC (9) Cl.** **07-02**
- (52) **U.S. Cl.**
USPC **D7/392.1; D9/449**
- (58) **Field of Classification Search**
USPC D7/300, 300.1, 391, 392, 392.1, D7/396.2, 509-511, 523, 608, 900; D9/443, D9/446, 447, 449, 450, 453, 454, 505; 215/11.6, 215/44, 224, 229, 306, 311; 220/3.75, 23.83, 220/212.5, 292, 714, 705; 222/83, 420, 450, 222/530, 543
See application file for complete search history.

(56) **References Cited**

U.S. PATENT DOCUMENTS

| | | | | |
|-----------|-----|---------|-------------------|--------|
| 3,757,979 | A | 9/1973 | Berghahn | |
| 3,944,101 | A | 3/1976 | Landen et al. | |
| D272,324 | S * | 1/1984 | Mumford et al. | D9/452 |
| D396,638 | S * | 8/1998 | Demarest | D9/448 |
| D426,159 | S * | 6/2000 | Briere et al. | D9/453 |
| D436,862 | S | 1/2001 | Witt et al. | |
| D451,023 | S * | 11/2001 | Kitamura et al. | D9/449 |
| D451,392 | S | 12/2001 | Kitamura et al. | |
| D463,280 | S | 9/2002 | Brozell | |
| 6,484,895 | B2 | 11/2002 | Montgomery et al. | |
| D485,132 | S * | 1/2004 | Ohno et al. | D7/608 |
| D514,446 | S | 2/2006 | Choi | |
| D524,650 | S | 7/2006 | Sitomer | |

| | | | | |
|----------|-----|---------|----------------|--------|
| D528,862 | S * | 9/2006 | Li | D7/510 |
| D529,339 | S * | 10/2006 | Carreno et al. | D7/511 |
| D533,061 | S * | 12/2006 | Li et al. | D9/443 |

(Continued)

OTHER PUBLICATIONS

Contigo—Autospout Addison Water Bottle—24 oz., printed Jun. 20, 2012.

(Continued)

Primary Examiner — Susan E Krakower

(74) *Attorney, Agent, or Firm* — Schiff Hardin LLP

(57) **CLAIM**

The ornamental design of the lid having fluted crown for drink bottle, as shown and described.

DESCRIPTION

FIG. 1 is a perspective view taken from the upper, front, right-hand side of the lid having fluted crown for drink bottle of the present invention;

FIG. 2 is a perspective view taken from the lower, rear, left-hand side of the lid having fluted crown for drink bottle of FIG. 1;

FIG. 3 is a side elevational view of the left side of the lid having fluted crown for drink bottle of FIG. 1;

FIG. 4 is a front elevational view of the lid having fluted crown for drink bottle of FIG. 1;

FIG. 5 is a side elevational view of the right side of the lid having fluted crown for drink bottle of FIG. 1;

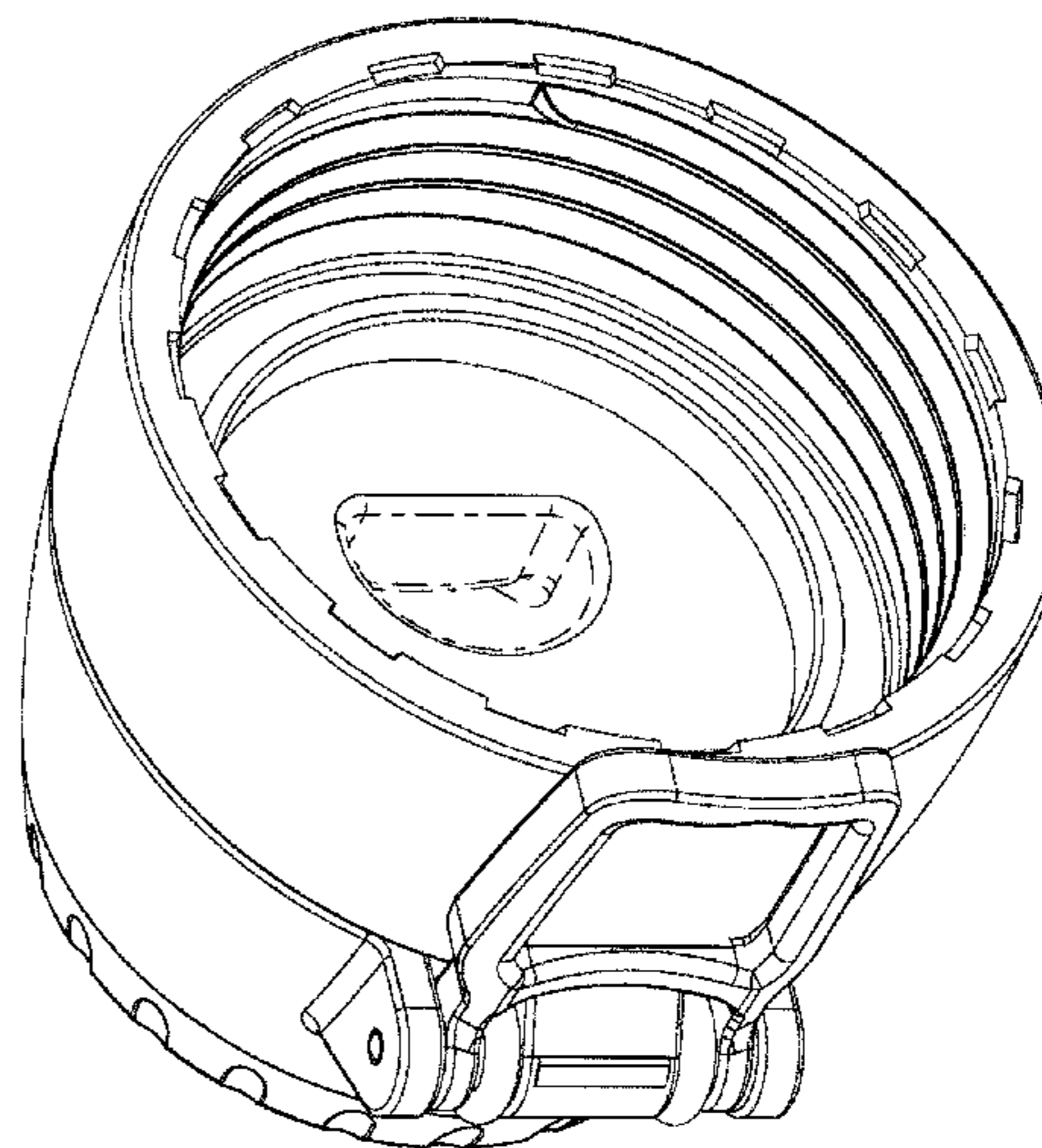
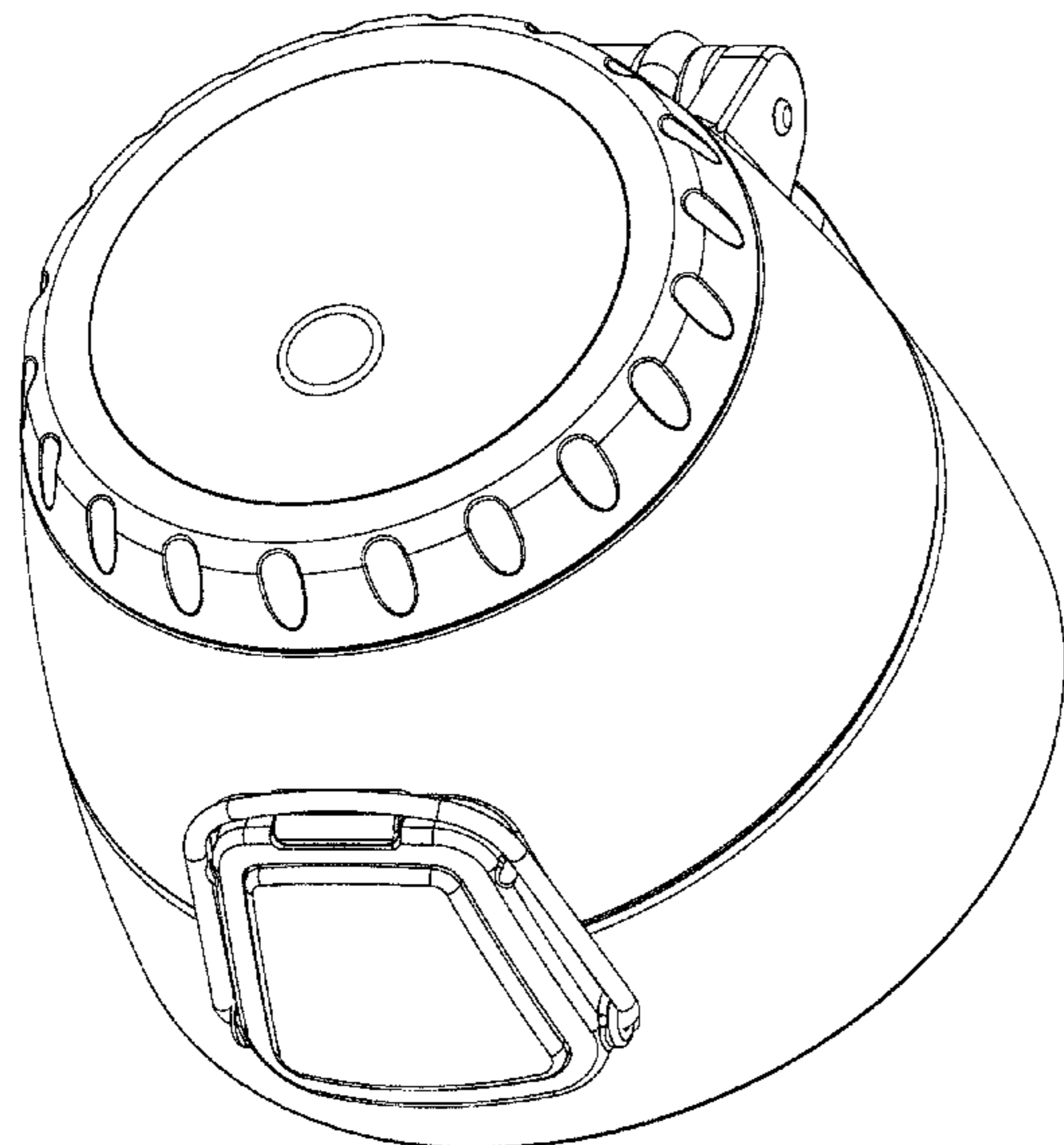
FIG. 6 is a rear elevational view of the lid having fluted crown for drink bottle of FIG. 1;

FIG. 7 is a top plan view of the lid having fluted crown for drink bottle of FIG. 1; and,

FIG. 8 is a bottom plan view of the lid having fluted crown for drink bottle of FIG. 1.

The broken lines illustrate portions of the lid having fluted crown for drink bottle which form no part of the claimed design.

1 Claim, 8 Drawing Sheets



US D686,871 S

Page 2

U.S. PATENT DOCUMENTS

D538,110 S * 3/2007 Kitamura et al. D7/608
D571,147 S 6/2008 Rohe
D589,743 S 4/2009 Pearson
D596,460 S * 7/2009 Nezu D7/510
D608,640 S * 1/2010 Carreno D9/449
D609,093 S 2/2010 Wisniewski et al.
D609,964 S * 2/2010 Lane D7/392.1
D610,454 S 2/2010 Lohrman et al.
D623,896 S 9/2010 Wahl et al.
D630,093 S 1/2011 Bardet
D634,628 S 3/2011 Goto et al.

D636,672 S 4/2011 Lohrman et al.
D656,360 S 3/2012 Miller et al.
D675,059 S * 1/2013 Carreno D7/392.1
2005/0133475 A1 6/2005 Goto et al.
2006/0043052 A1 3/2006 Lin

OTHER PUBLICATIONS

Zojirushi product—Stainless Steel Vacuum Bottle Model No. ST-KA12, printed Jul. 26, 2011.
Co-pending U.S. Appl. No. 13/155,512, filed Jun. 8, 2011.

* cited by examiner

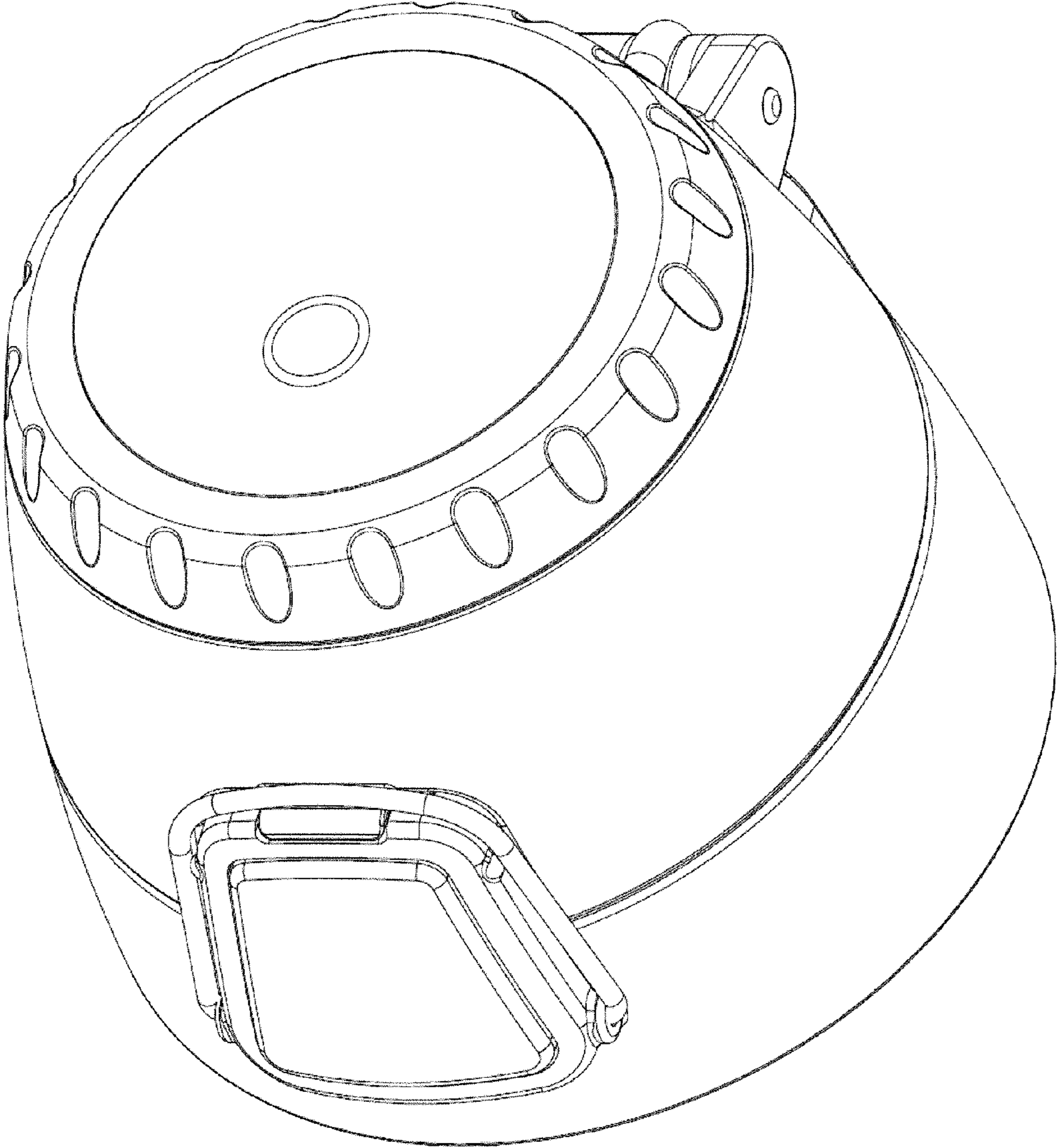


Figure 1

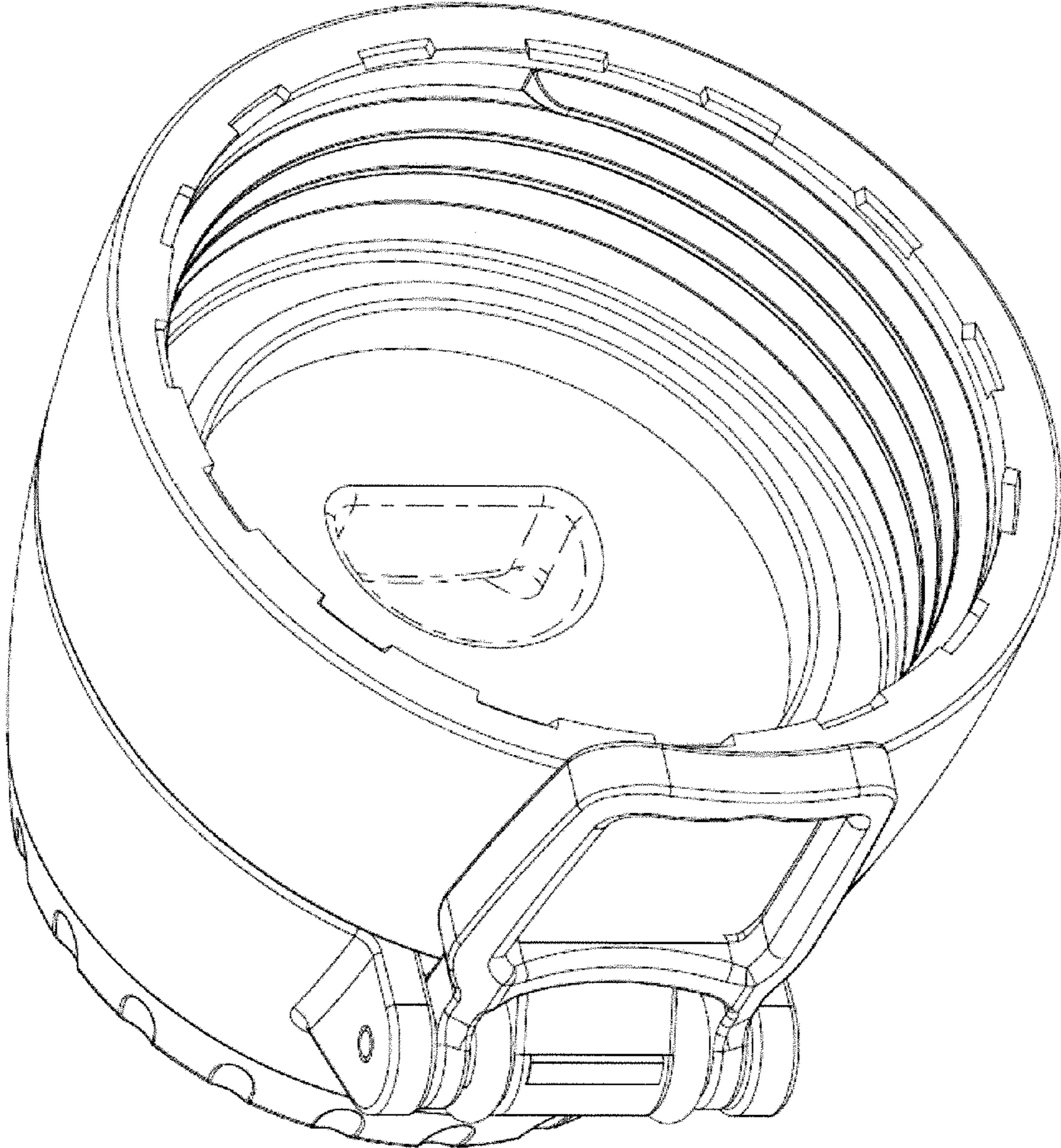


Figure 2

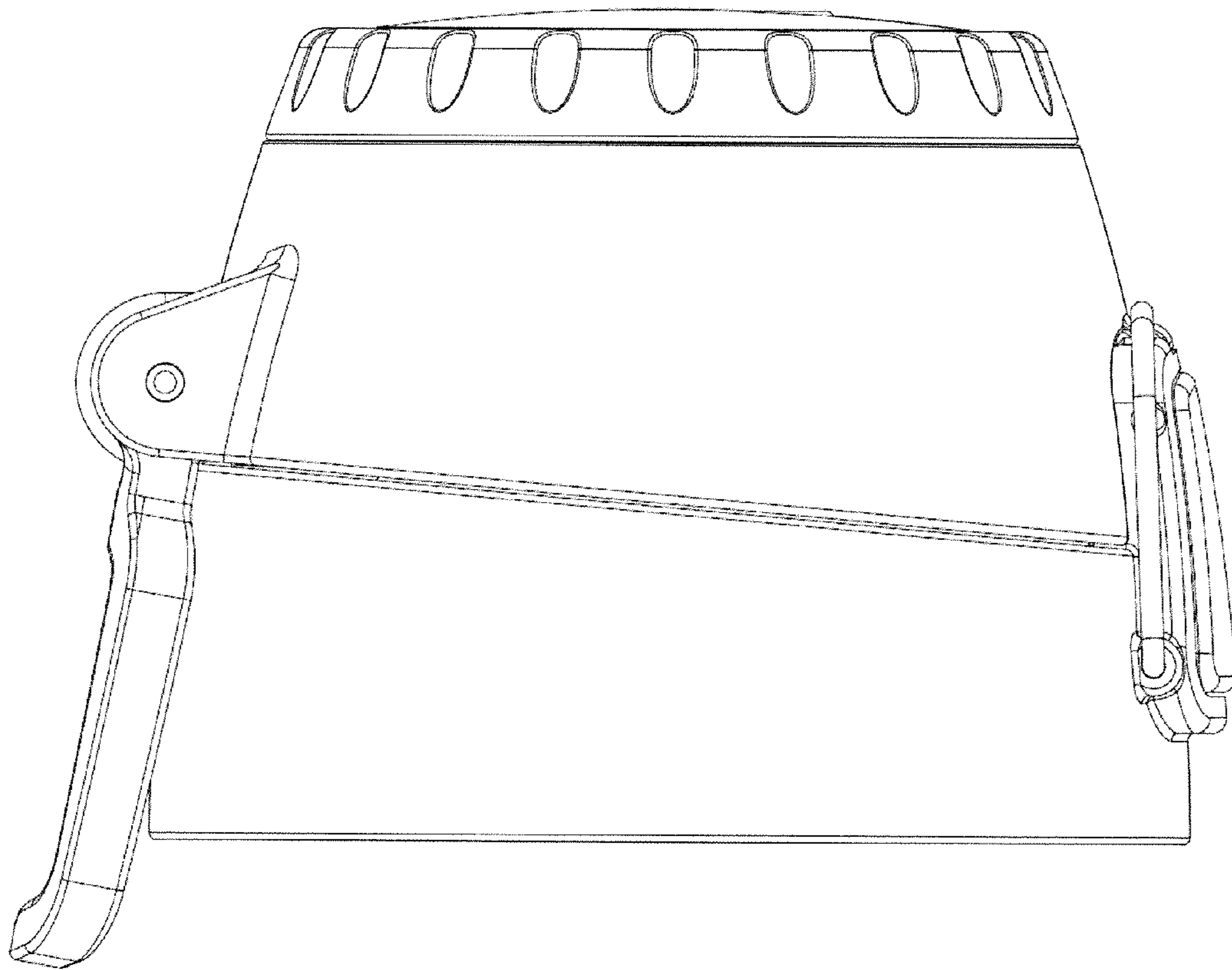


Figure 3

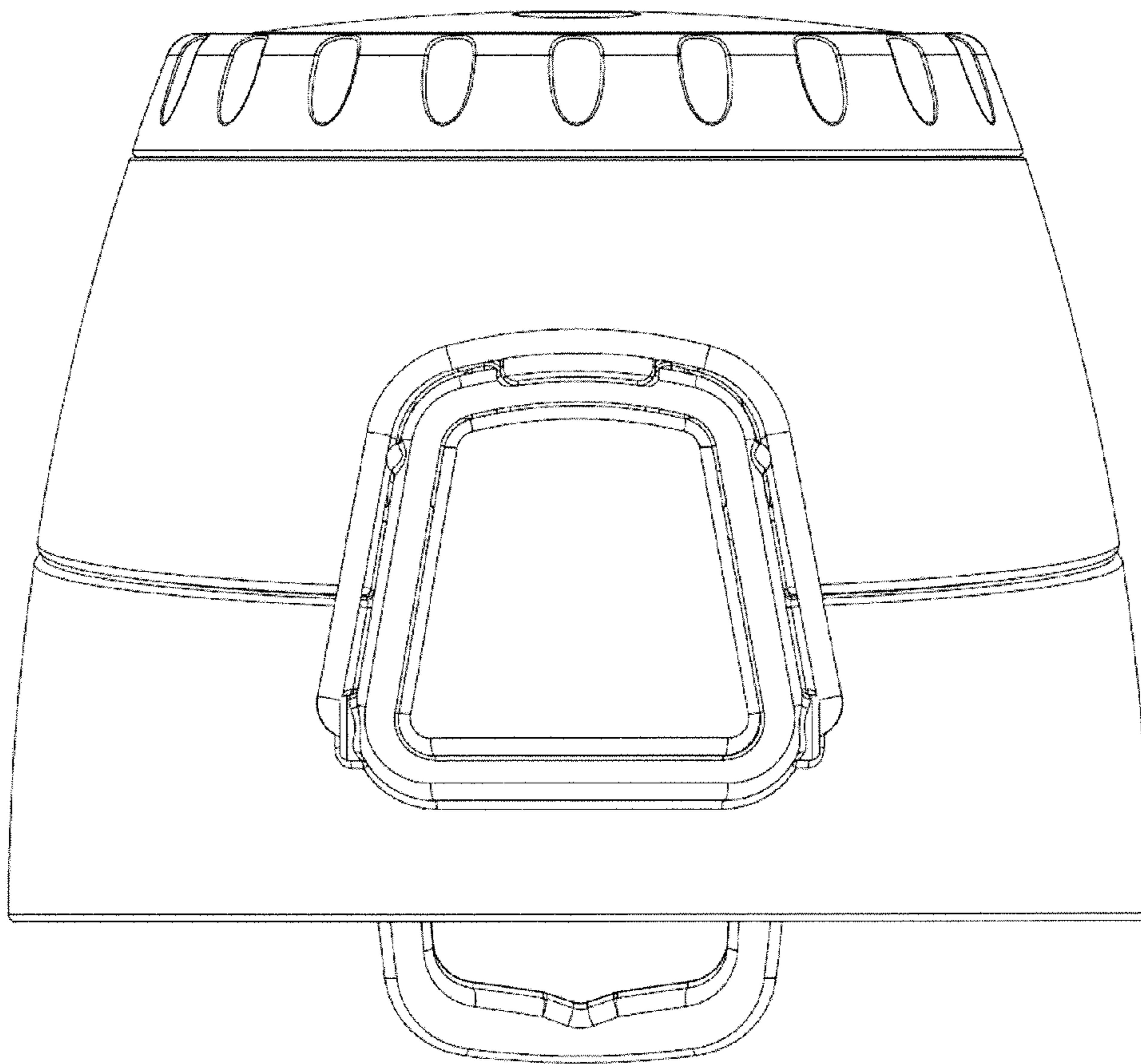


Figure 4

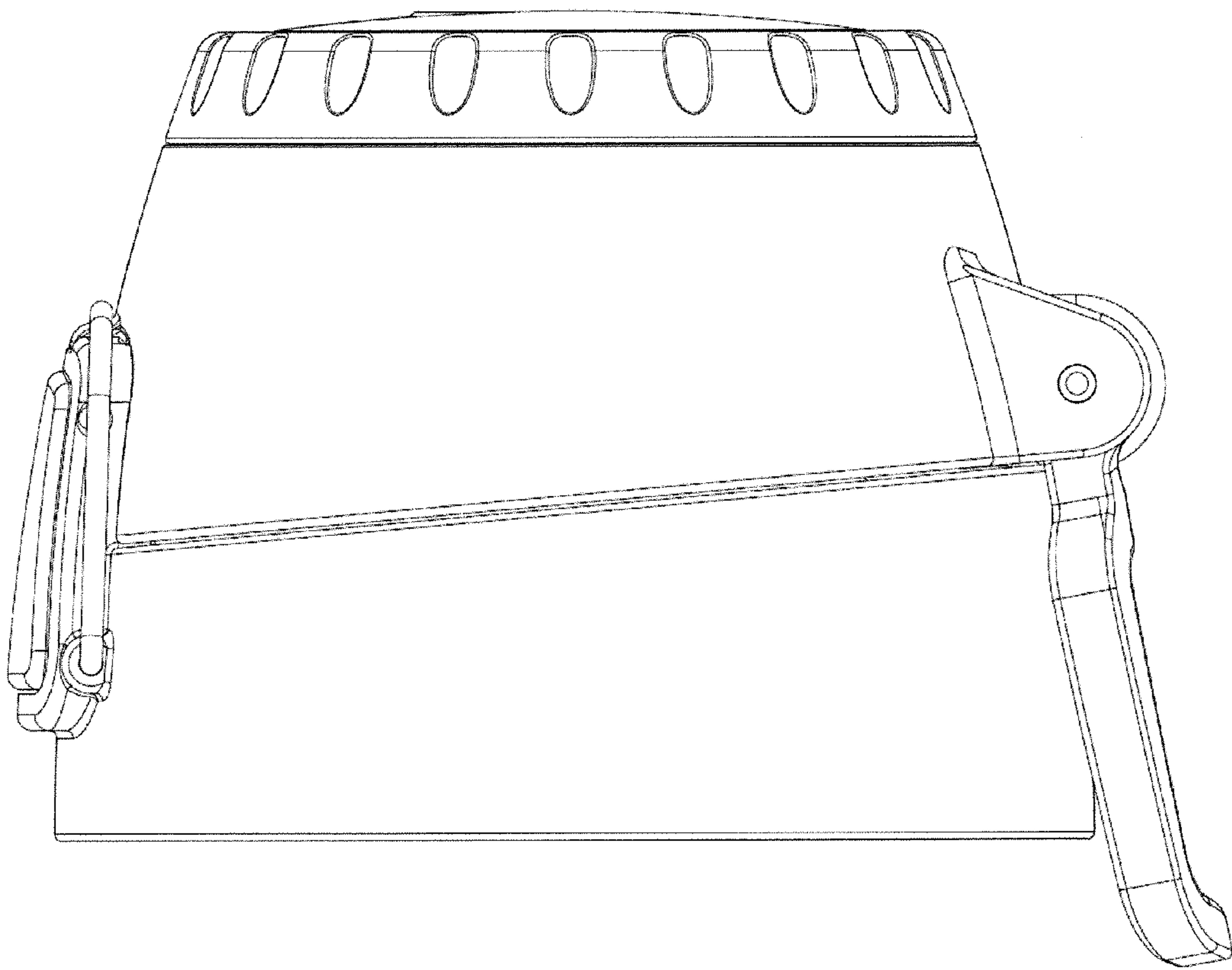


Figure 5

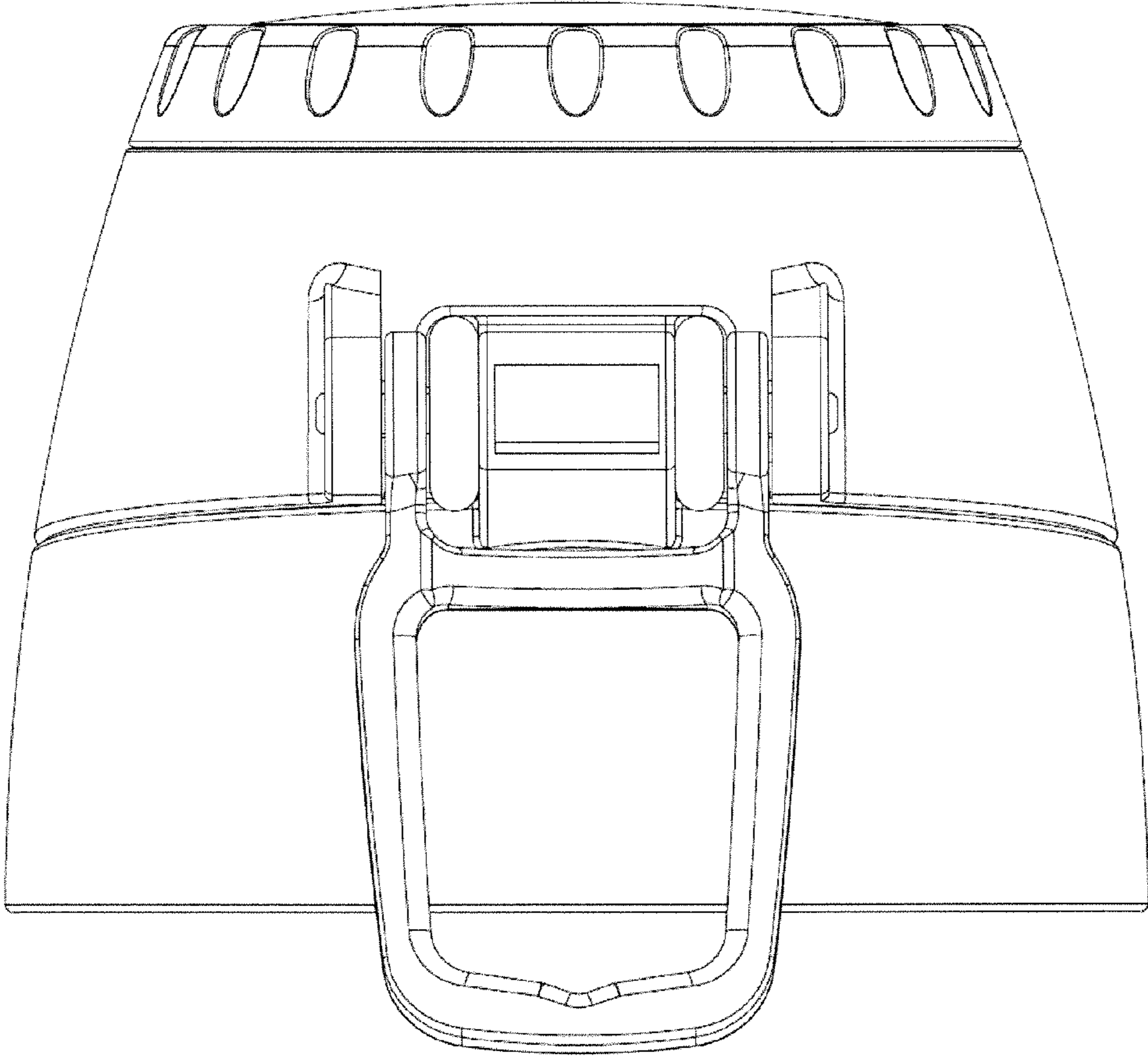


Figure 6

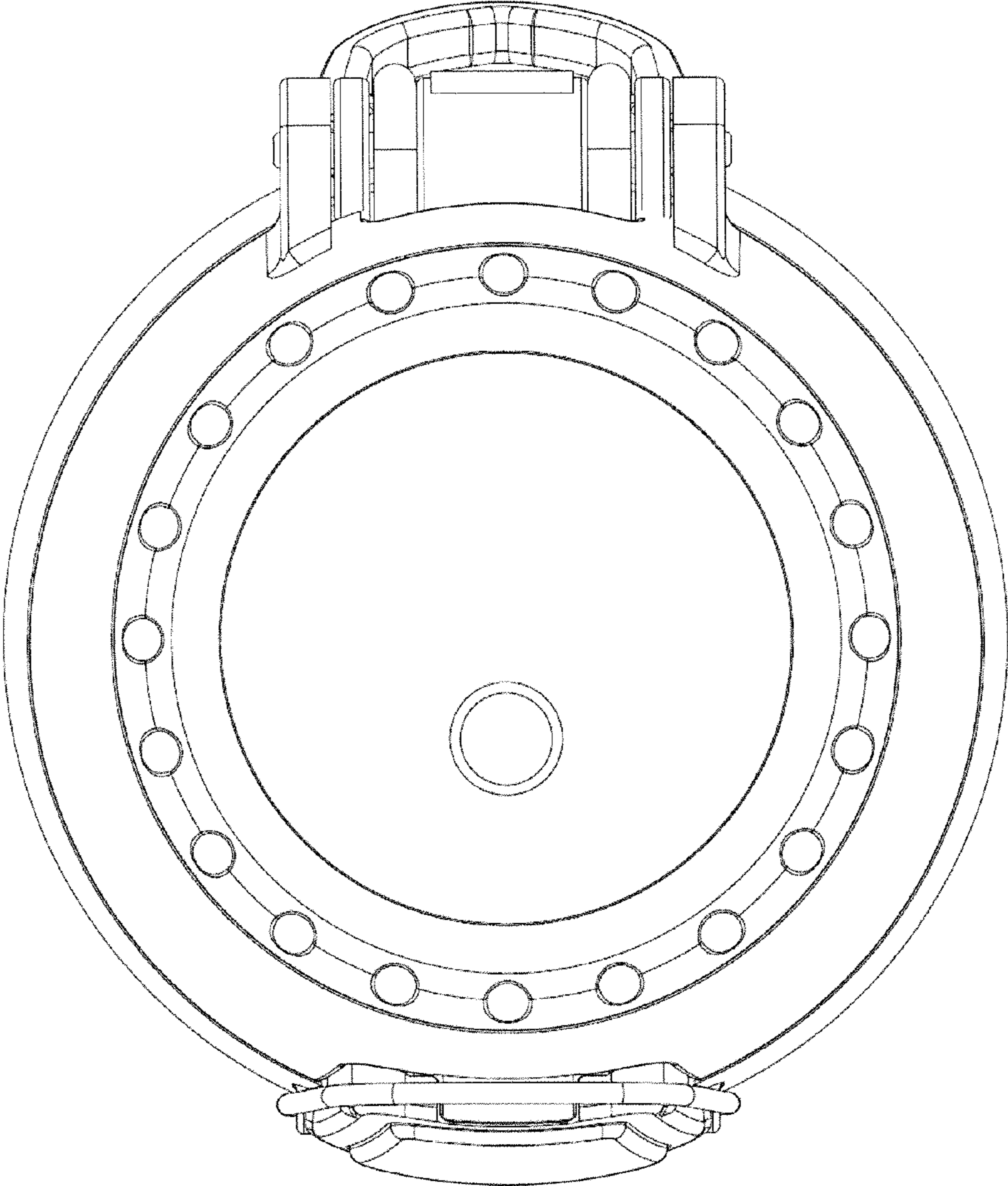


Figure 7

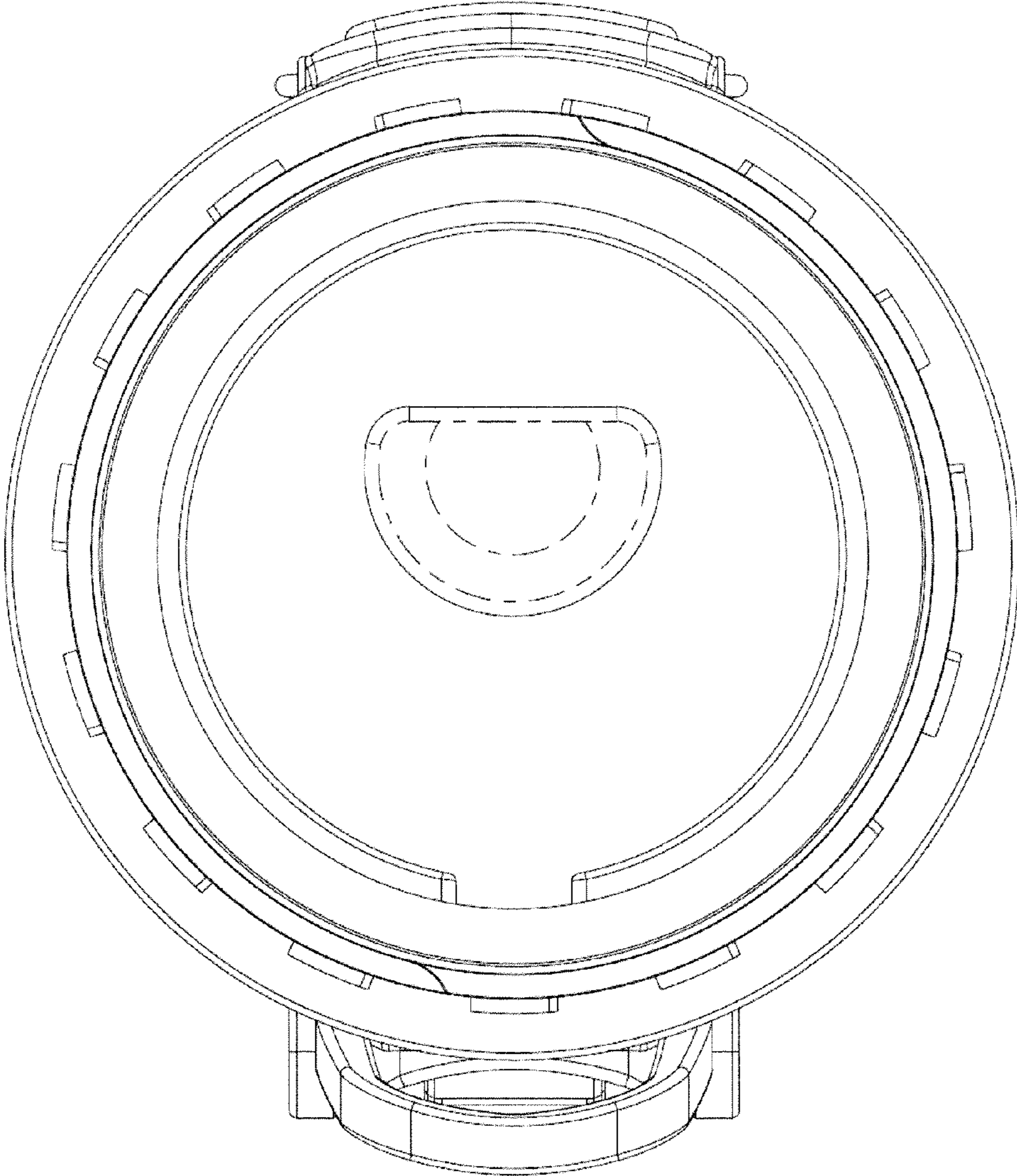


Figure 8