



US00D686870S

(12) **United States Design Patent**  
**Young**

(10) **Patent No.:** **US D686,870 S**  
(45) **Date of Patent:** **\*\* Jul. 30, 2013**

(54) **SPORT BOTTLE CAP**

*Primary Examiner* — Susan E Krakower

(76) Inventor: **John Lindsay Young**, Whittier, CA (US)

(57) **CLAIM**

The ornamental design for a sport bottle cap, as shown and described.

(\*\*) Term: **14 Years**

(21) Appl. No.: **29/395,997**

**DESCRIPTION**

(22) Filed: **May 1, 2012**

(51) **LOC (9) Cl.** ..... **07-02**

(52) **U.S. Cl.**  
USPC ..... **D7/392.1; D9/449**

(58) **Field of Classification Search**  
USPC ..... D7/391, 392, 392.1, 396.2, 509–511,  
D7/523, 608, 900; D9/443, 446, 447, 449,  
D9/450, 453, 505; 215/11.6, 44, 224, 229,  
215/306, 311; 220/3.75, 23.83, 212.5, 292,  
220/714, 705; 222/83, 420, 450, 530, 543  
See application file for complete search history.

FIG. 1 is a perspective view of the sport bottle cap with the cover in the closed position;  
FIG. 2 is a perspective view of the sport bottle cap with the cover in the open position;  
FIG. 3 is a front view there of, with the cover in the closed position;  
FIG. 4 is a side view there of, with the cover in the closed position;  
FIG. 5 is a back view there of, with the cover in the closed position;  
FIG. 6 is a front view there of, with the cover in the open position;  
FIG. 7 is a side view there of, with the cover in the open position;  
FIG. 8 is a back view there of, with the cover in the open position;  
FIG. 9 is a top plan view there of, with the cover in the closed position;  
FIG. 10 is a top plan view there of, with the cover in the open position; and,  
FIG. 11 is a perspective view of the sports bottle cap shown in condition of use.  
The broken lines illustrate portions of the sports bottle cap and environmental structure which form no part of the claimed design.

(56) **References Cited**

U.S. PATENT DOCUMENTS

D116,676 S *	9/1939	Harnage	.....	D7/392
D204,896 S *	5/1966	Schlessel	.....	D7/392
D451,392 S *	12/2001	Kitamura et al.	.....	D9/447
D584,566 S *	1/2009	Fuller	.....	D7/396.2
D596,459 S *	7/2009	Ghiassi	.....	D7/510
D610,402 S *	2/2010	Carreno	.....	D7/396.2
D625,146 S *	10/2010	George et al.	.....	D7/392
D627,594 S *	11/2010	Boonprasop	.....	D7/392.1
D651,847 S *	1/2012	Gilbert	.....	D7/392.1
D656,360 S *	3/2012	Miller et al.	.....	D7/510
D671,357 S *	11/2012	Trombly	.....	D7/392.1
2003/0136753 A1 *	7/2003	Biesecker et al.	.....	215/224

\* cited by examiner

**1 Claim, 5 Drawing Sheets**

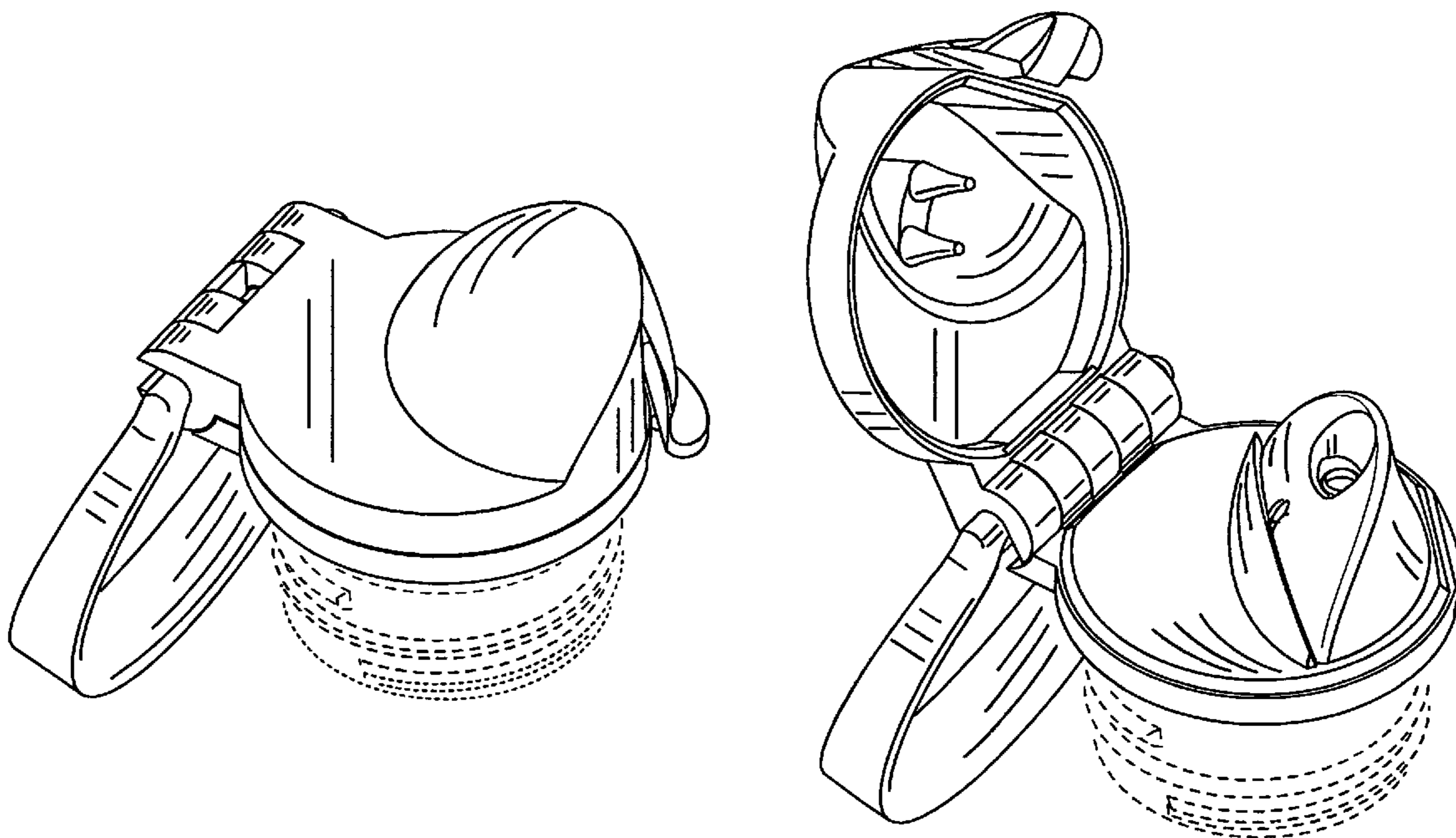


Fig. 1

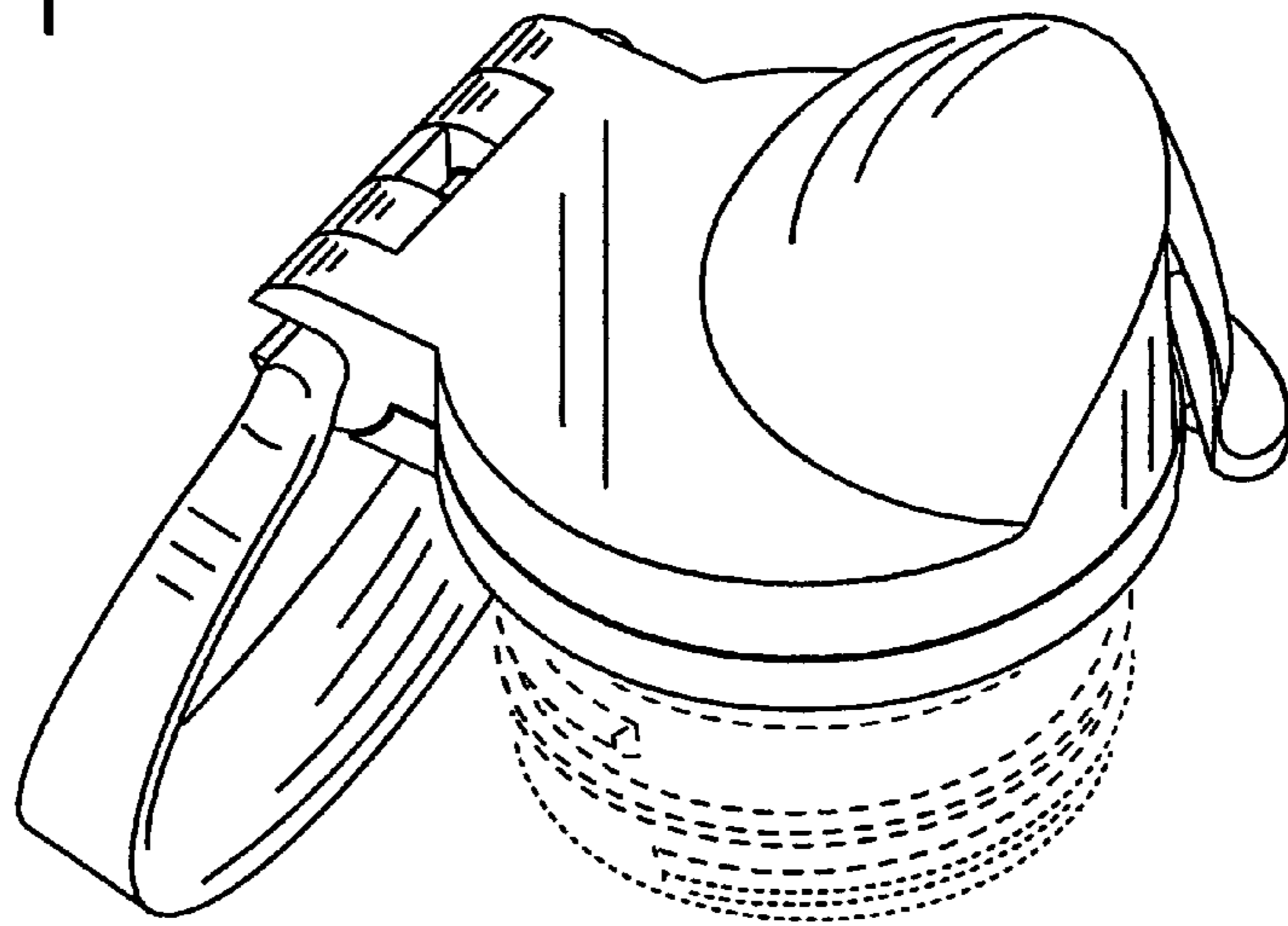


Fig. 2

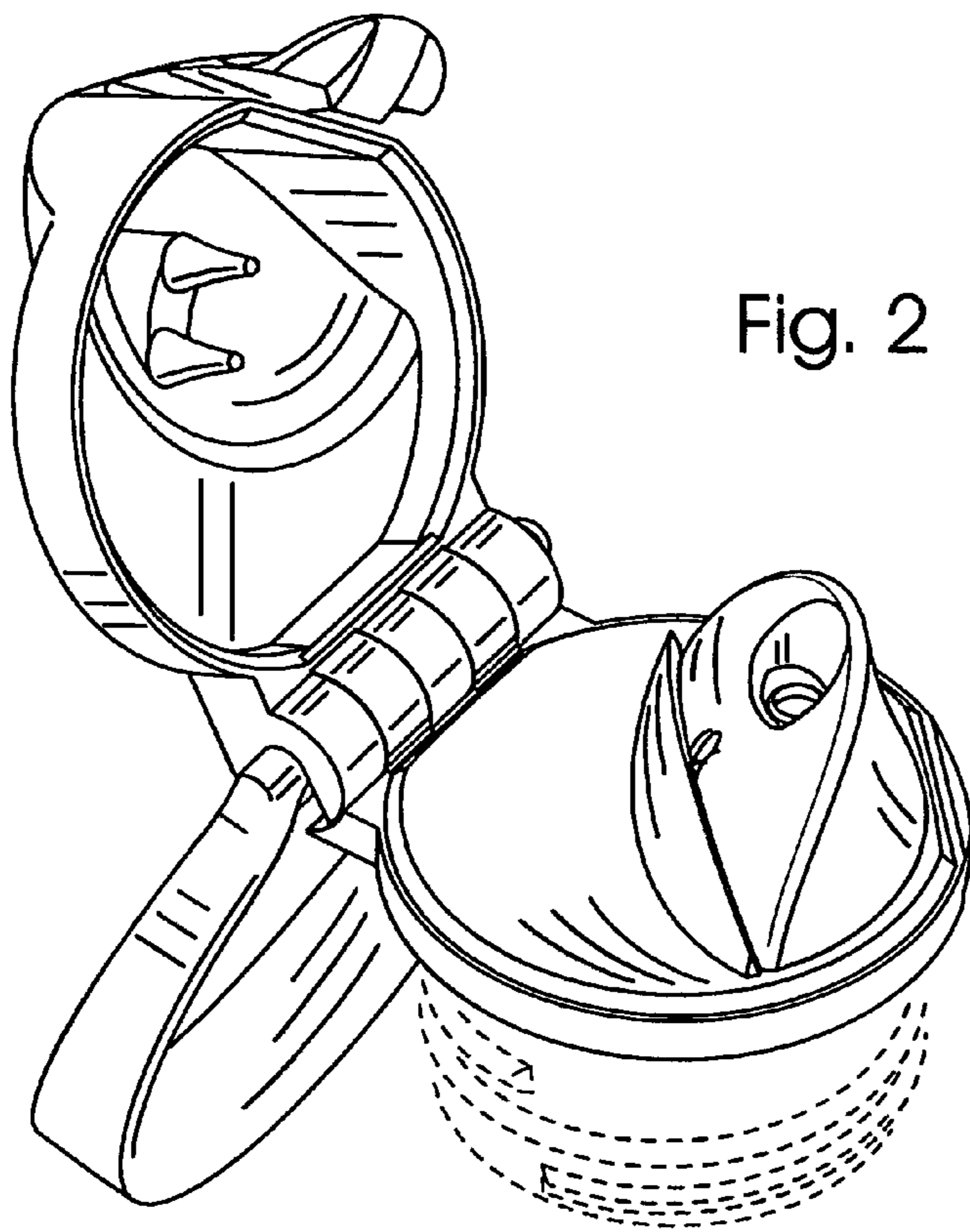


Fig. 3

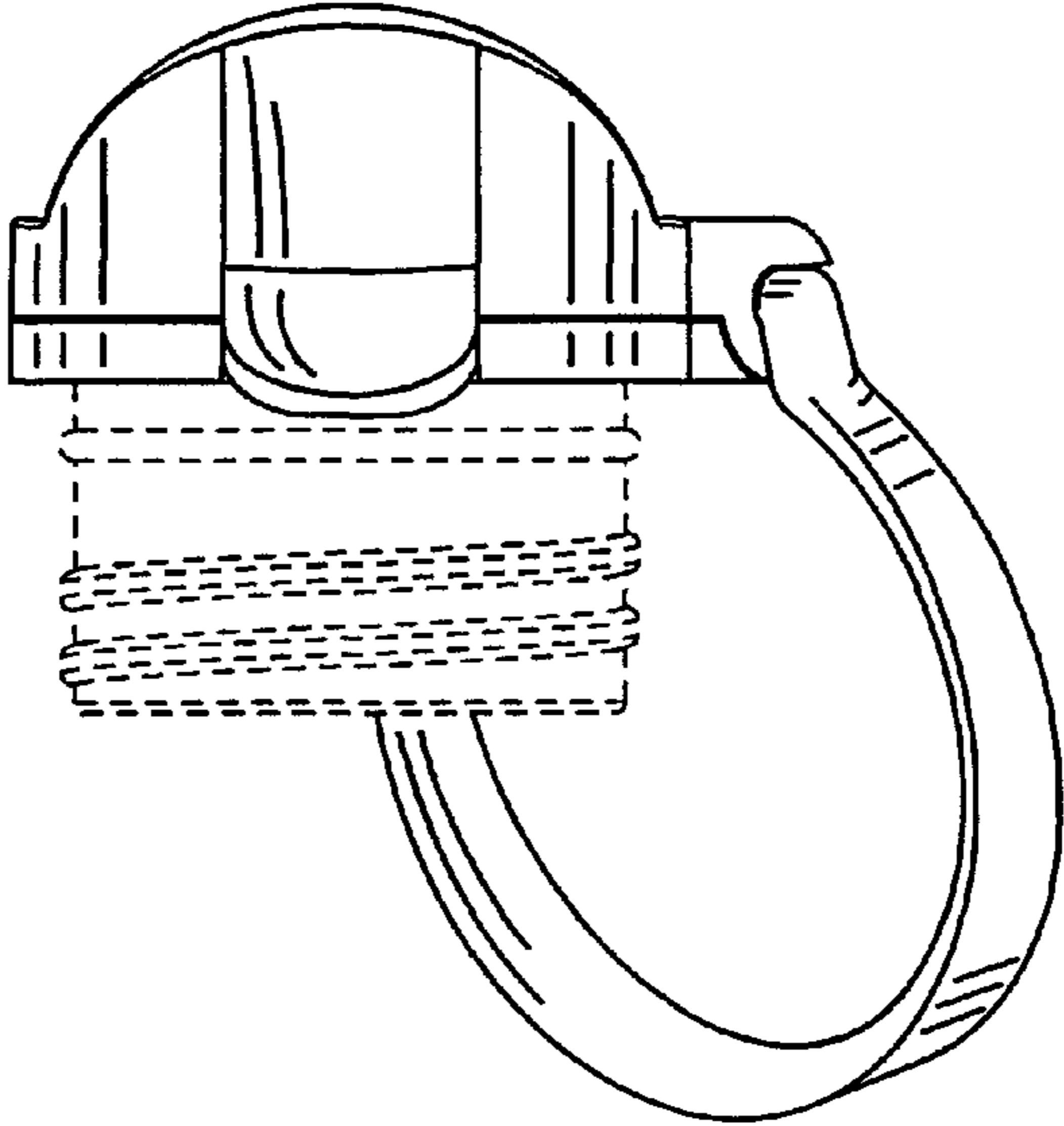


Fig. 4

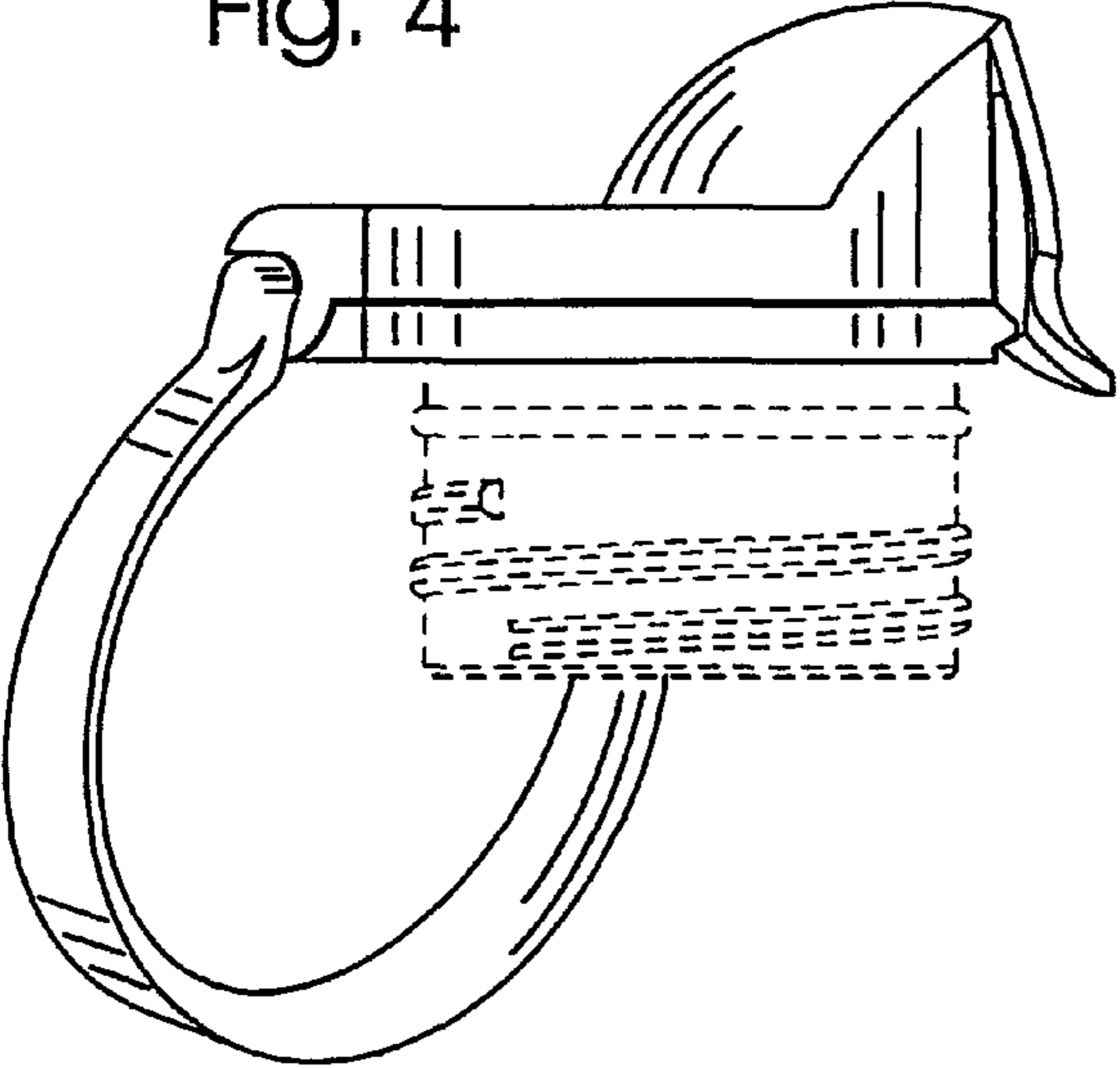


Fig. 5

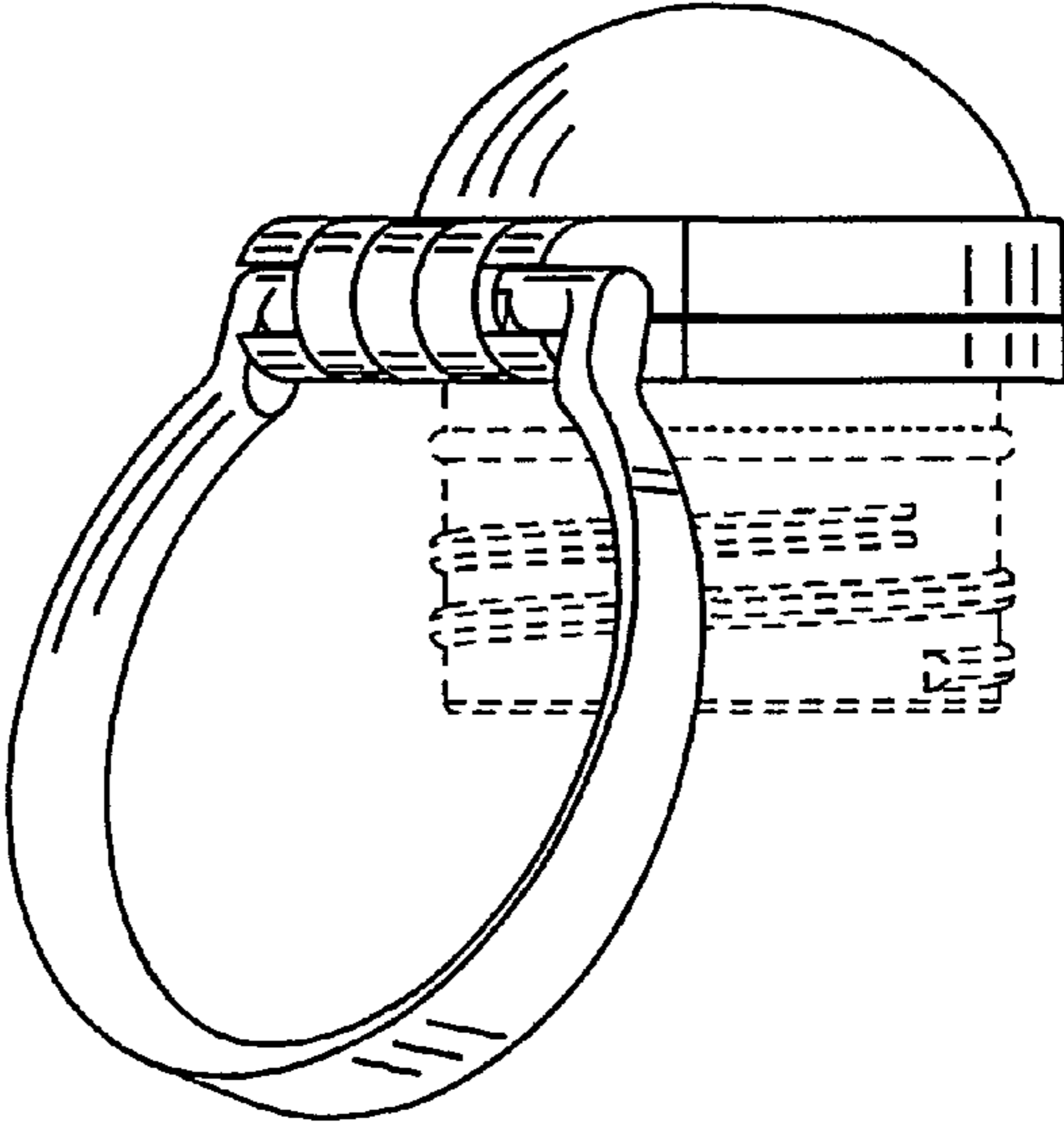


Fig. 6

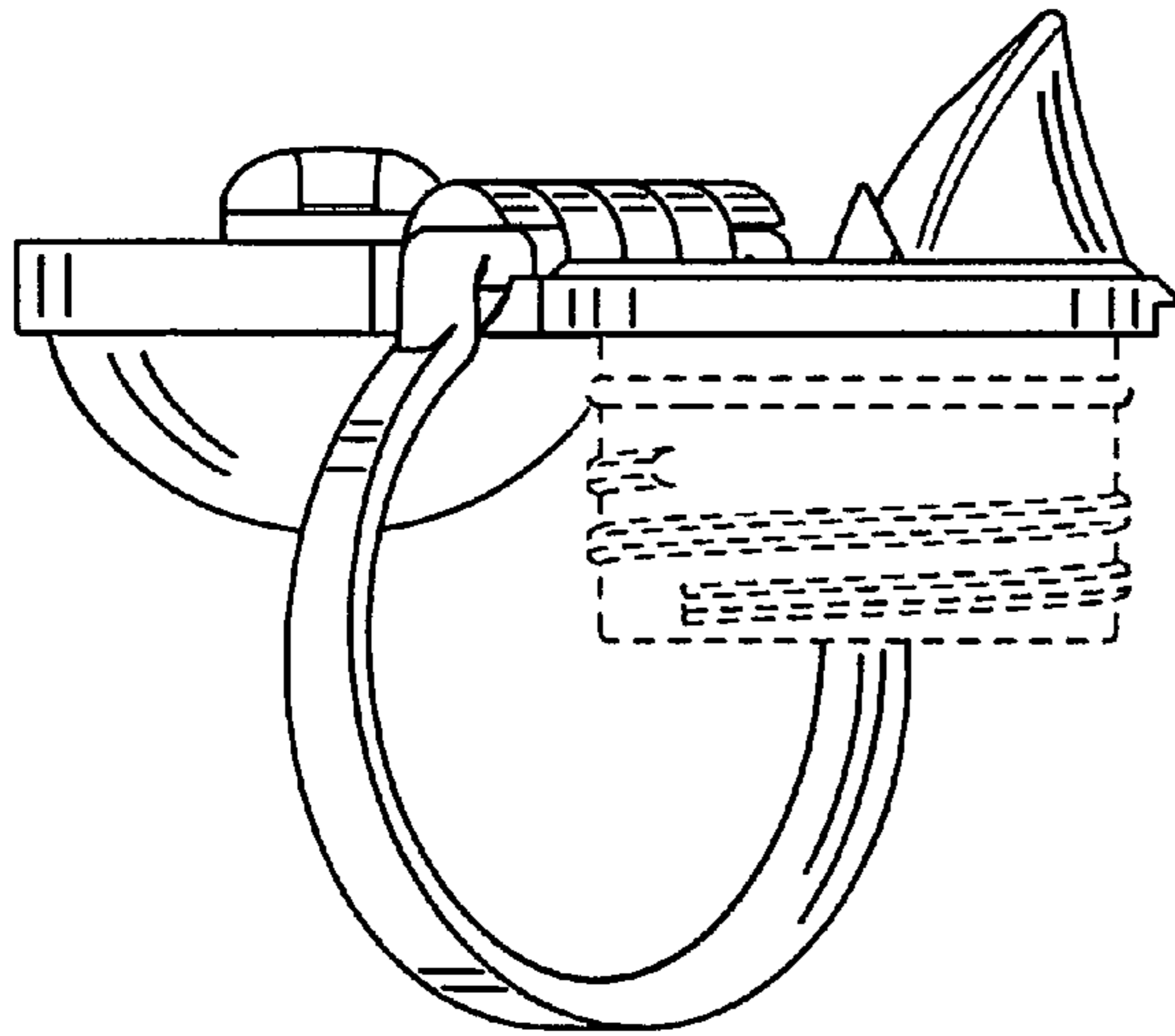
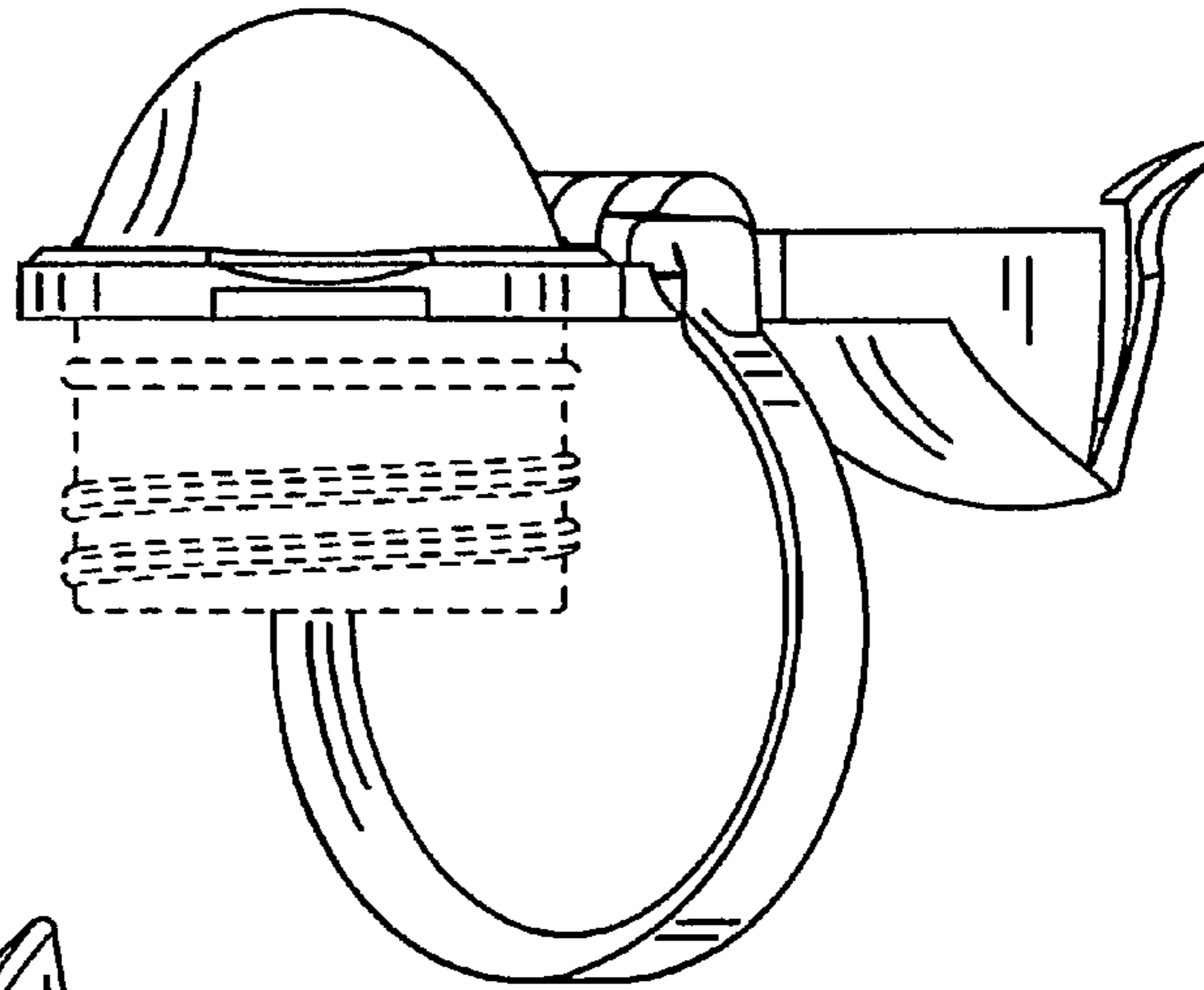


Fig. 7

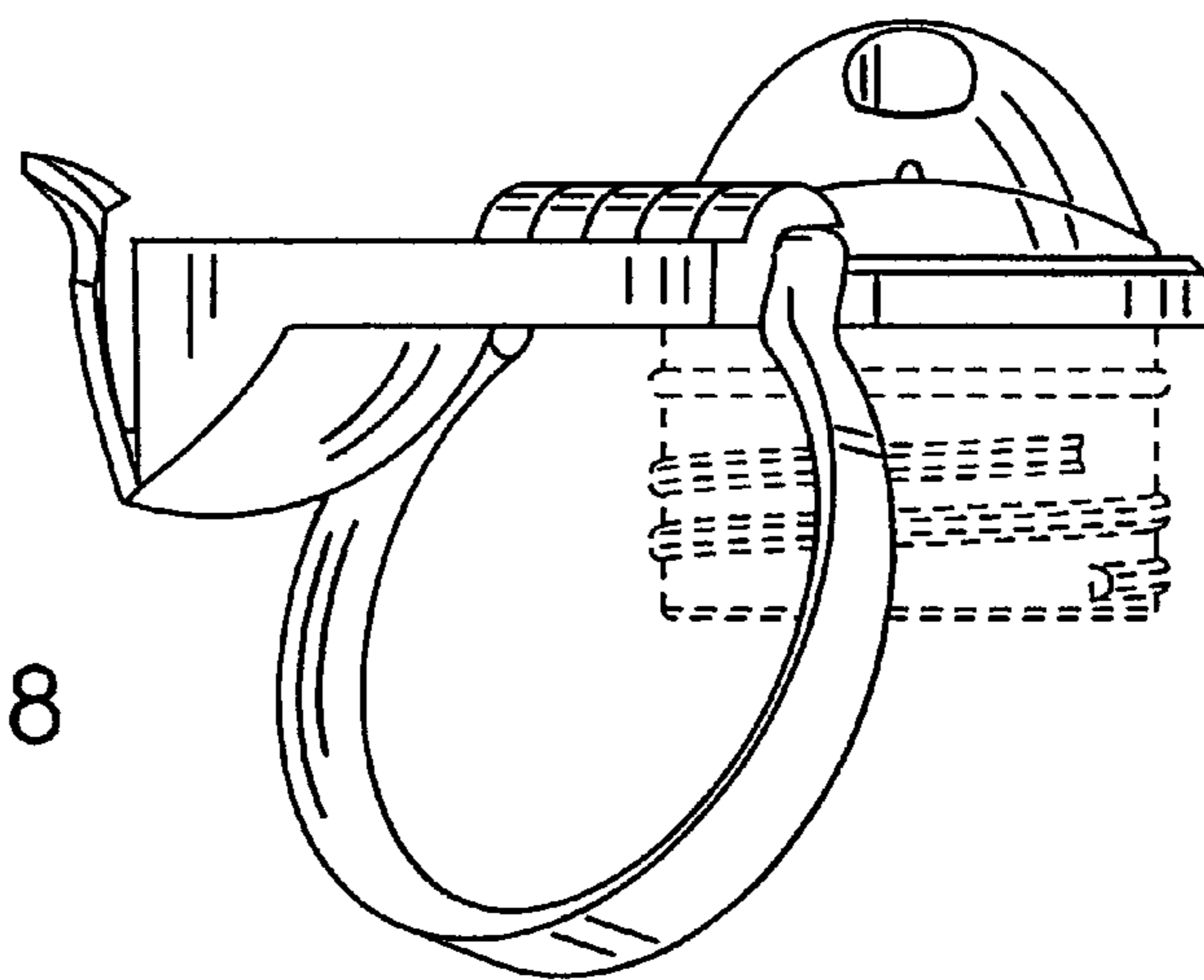


Fig. 8

Fig. 9

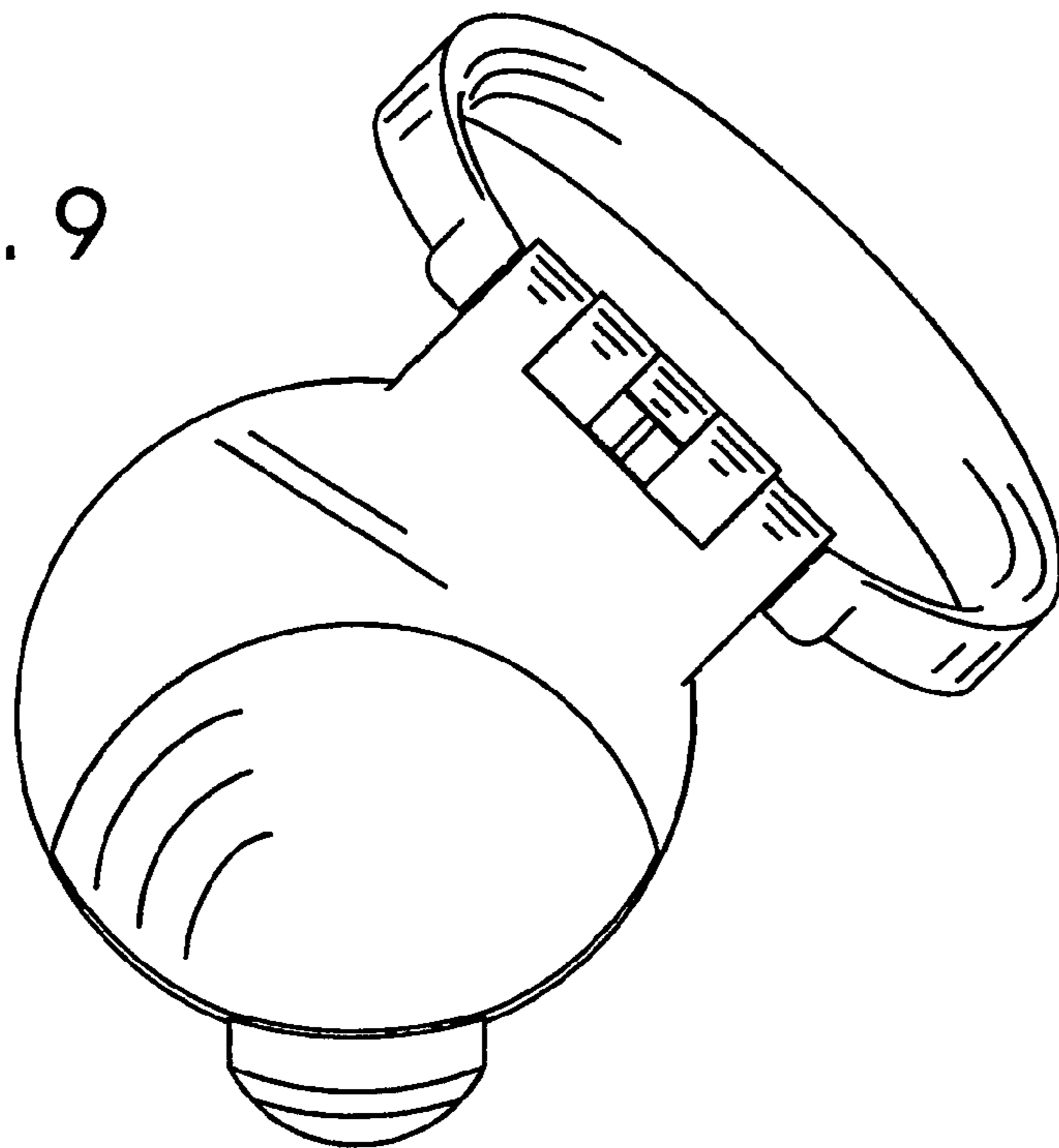


Fig. 10

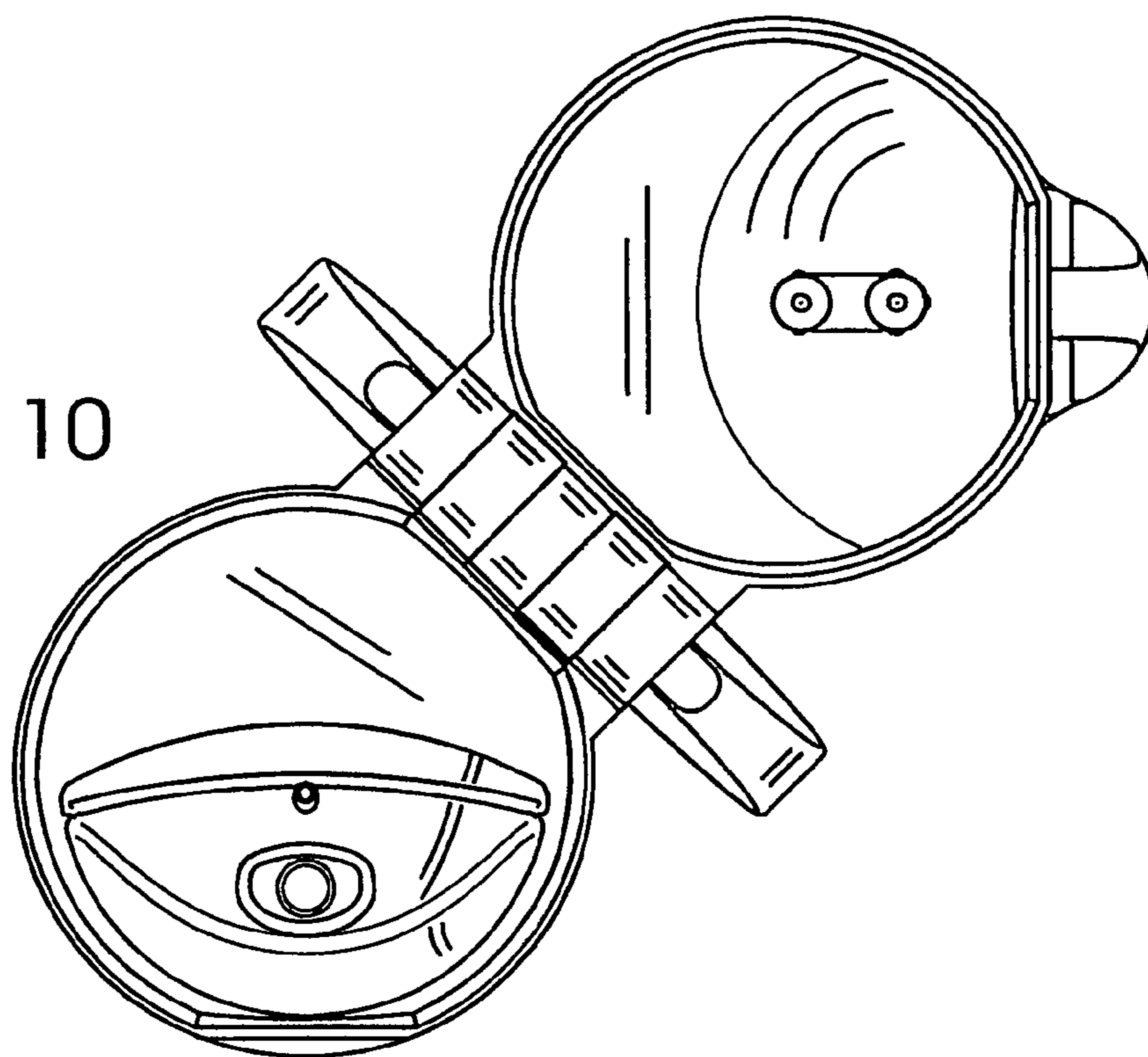


Fig. 11

