



US00D686868S

(12) **United States Design Patent**
Valera

(10) **Patent No.:** **US D686,868 S**
(45) **Date of Patent:** **** Jul. 30, 2013**

(54) **DUAL PLATE APPARATUS FOR MINI CAKE MAKING DEVICE**

(71) Applicant: **Diego Valera**, Miami, FL (US)

(72) Inventor: **Diego Valera**, Miami, FL (US)

(**) Term: **14 Years**

(21) Appl. No.: **29/439,489**

(22) Filed: **Dec. 11, 2012**

(51) **LOC (9) Cl.** **07-02**

(52) **U.S. Cl.**
USPC **D7/352**; D7/362; D7/364

(58) **Field of Classification Search**
USPC D7/323, 329–331, 337, 339, 346–347,
D7/350.1–350.4, 352–367, 391, 393, 395,
D7/402, 409–410, 538, 542, 672–674;
99/324–325, 331–332, 337–349, 358, 369–376,
99/380, 389, 400–418, 422, 425, 444–446,
99/483; 126/37 R, 261, 378.1; 206/501–505,
206/507–508; 219/386, 400, 405, 429–442,
219/450.1, 452.13, 620–624, 725, 730–735;
220/23.8, 315, 573.1–573.5, 912; 249/119;
426/438, 441, 549

See application file for complete search history.

(56) **References Cited**

U.S. PATENT DOCUMENTS

323,887 A * 8/1885 Rutter 249/119
3,719,507 A * 3/1973 Bardeau 99/375
D262,425 S * 12/1981 Thelander D7/357

D262,430 S * 12/1981 Thelander D7/357
7,285,751 B2 * 10/2007 Li 219/386
D642,420 S * 8/2011 Lavy et al. D7/352
D643,243 S * 8/2011 Harrod D7/352
D643,673 S * 8/2011 Lavy et al. D7/352
D643,676 S * 8/2011 Lavy et al. D7/364
D657,608 S * 4/2012 Lavy et al. D7/352
D657,609 S * 4/2012 Lavy et al. D7/352
D668,907 S * 10/2012 Lavy et al. D7/352
D669,300 S * 10/2012 Lavy et al. D7/352

* cited by examiner

Primary Examiner — Ricky Pham

(74) *Attorney, Agent, or Firm* — Mark Terry

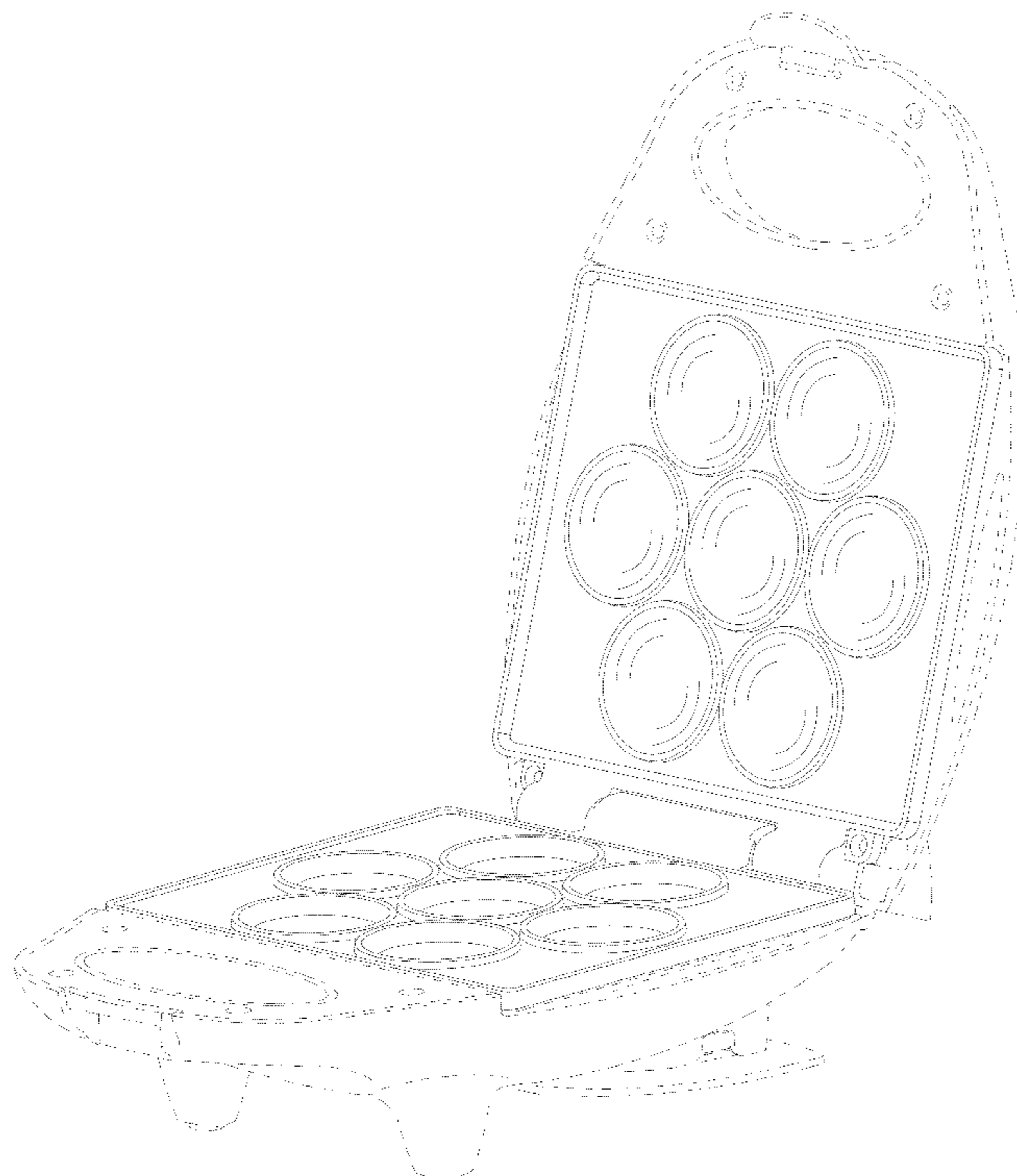
(57) **CLAIM**

The ornamental design for a dual plate apparatus for a mini cake making device, as shown and described.

DESCRIPTION

FIG. 1 is a top view of a dual plate apparatus for mini cake making device, shown in an open position for clarity and completeness of disclosure;
FIG. 2 is a left side view thereof;
FIG. 3 is a right side view thereof;
FIG. 4 is a rear view thereof;
FIG. 5 is a front view thereof;
FIG. 6 is a side perspective view of the dual plate apparatus used in a mini cake making device, showing the new design; and,
FIG. 7 is a top perspective view of the dual plate apparatus used in a mini cake making device, showing the new design. The broken lines shown in the drawings are for illustrative purposes only and form no part of the claimed design.

1 Claim, 5 Drawing Sheets



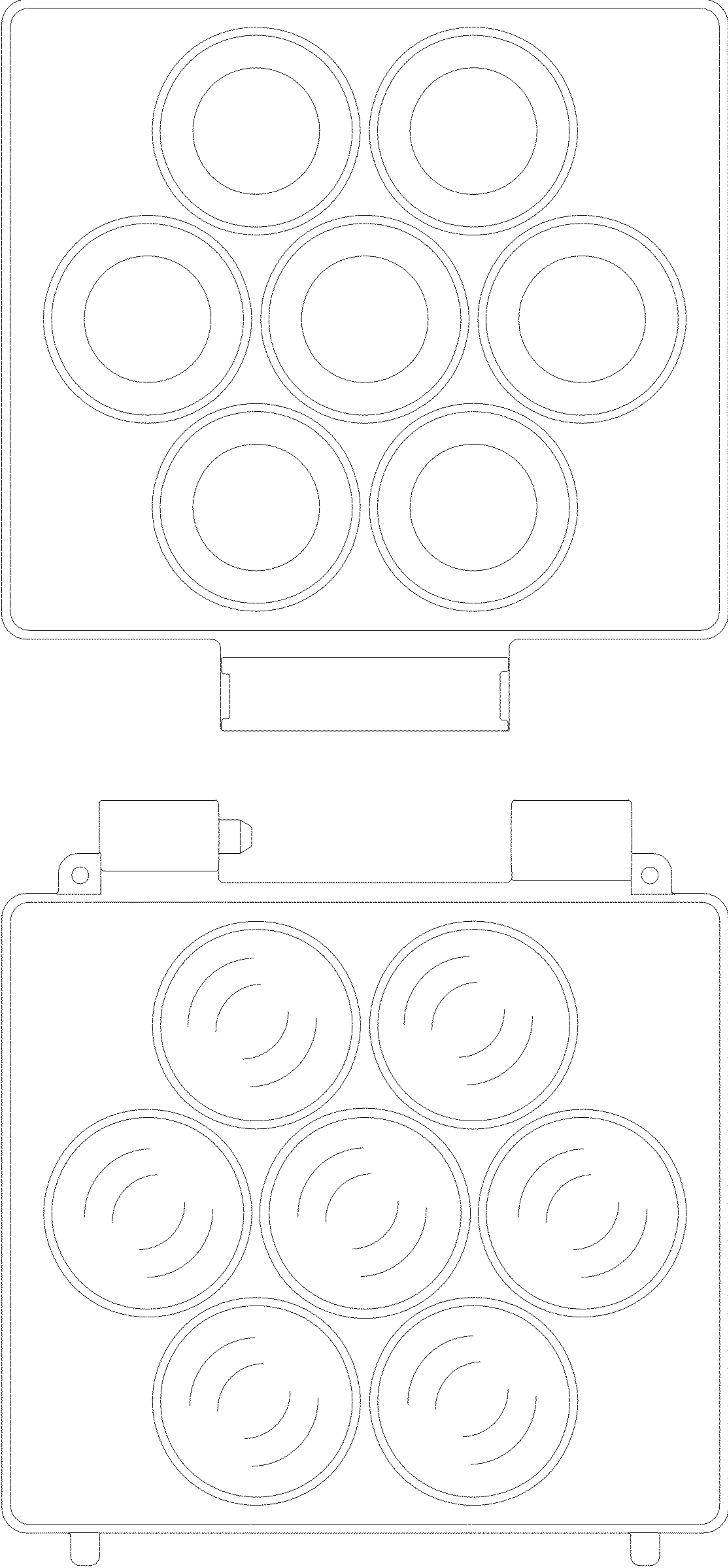


Fig.1

Fig.2

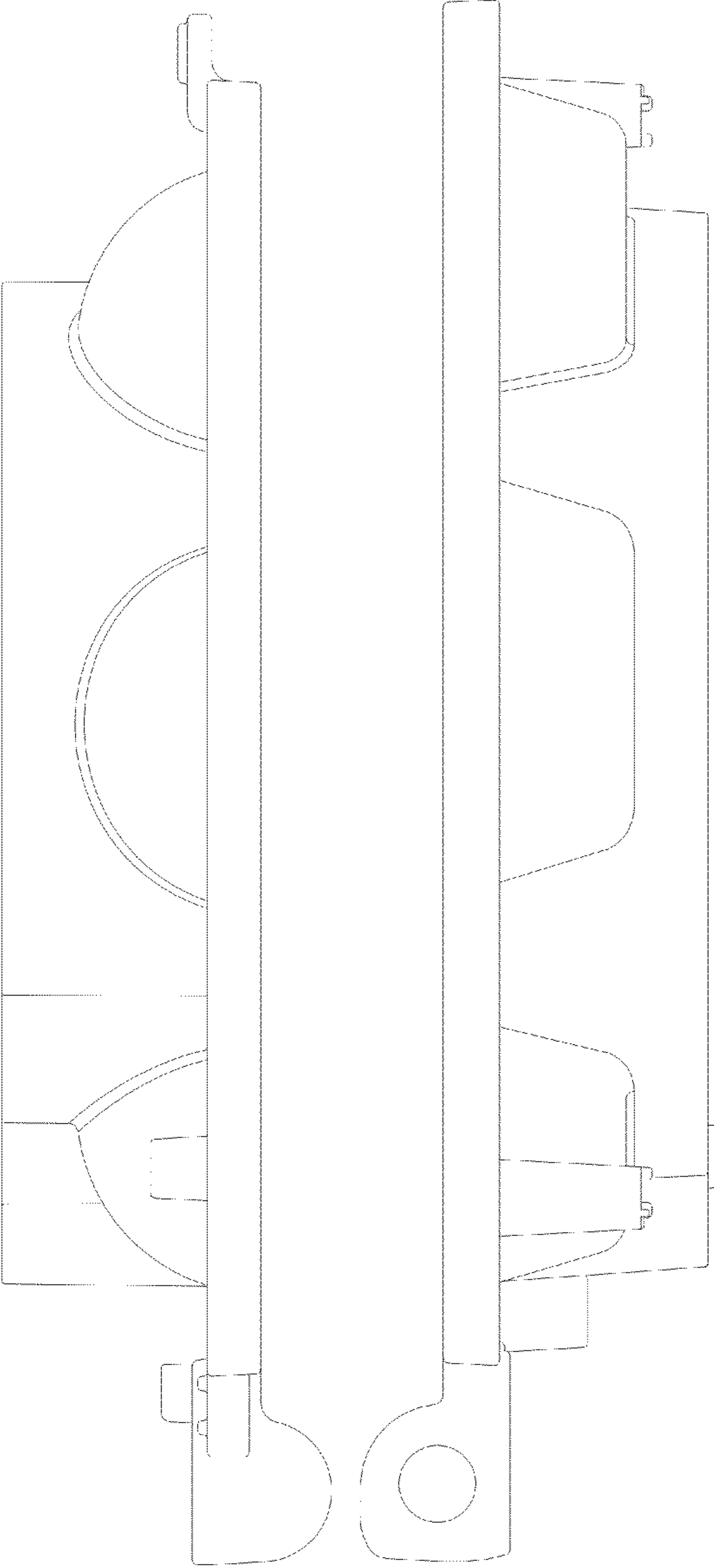


Fig.3

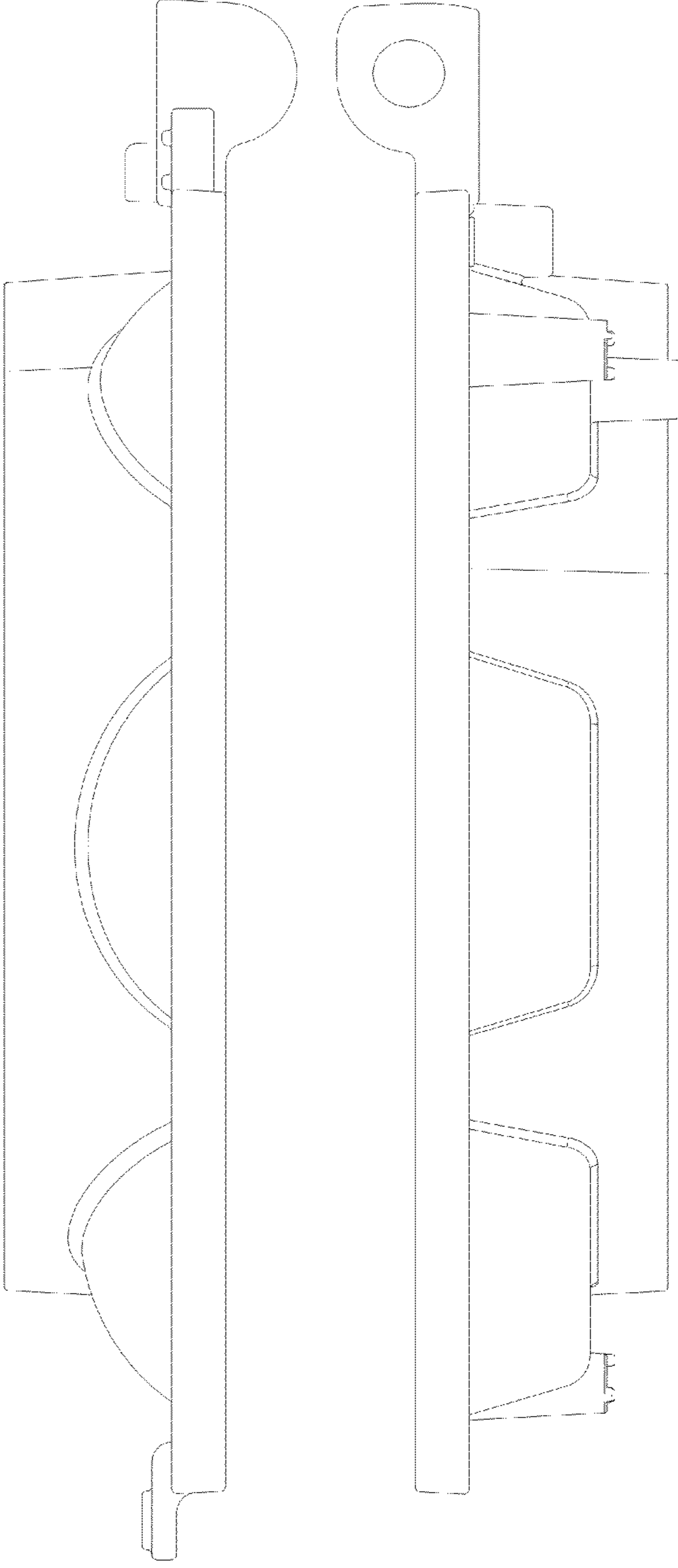


Fig.4

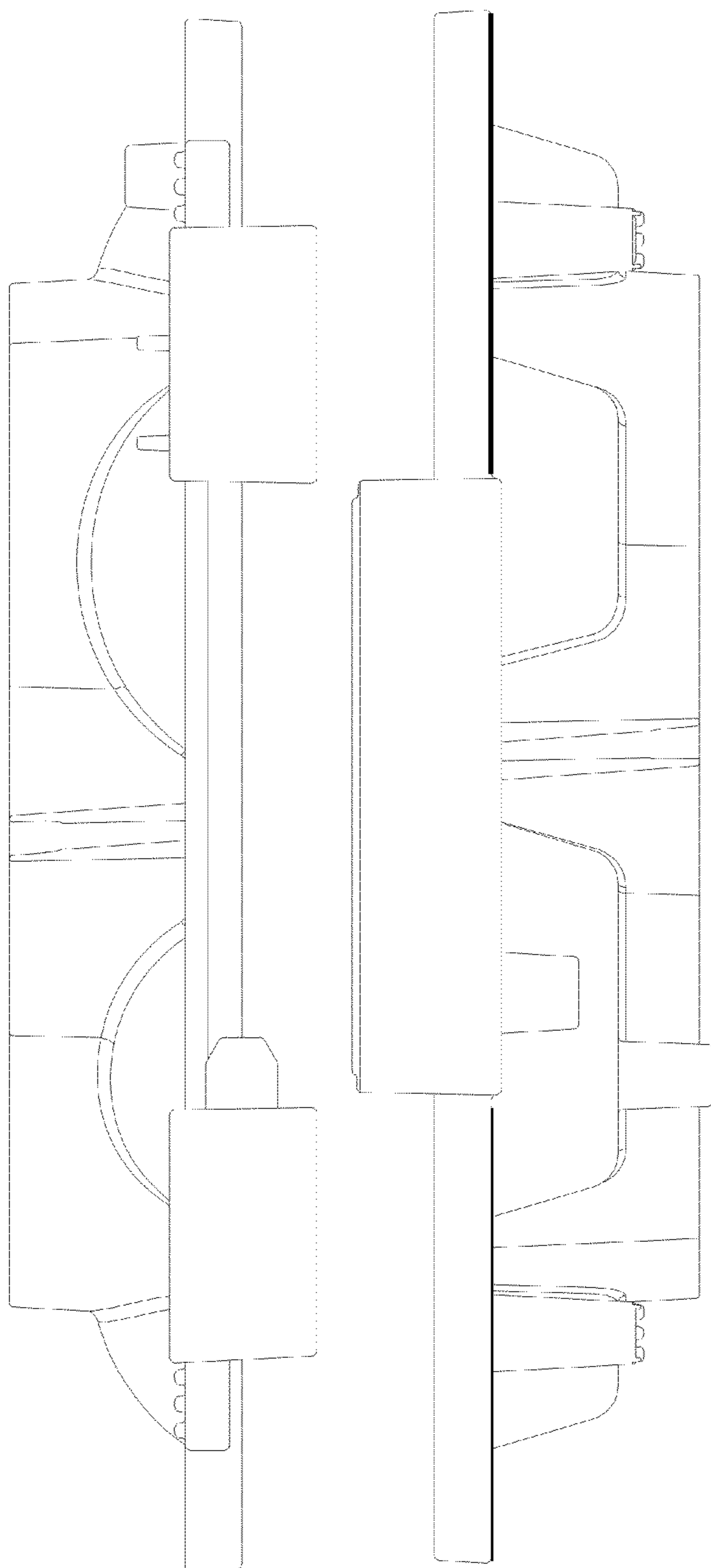
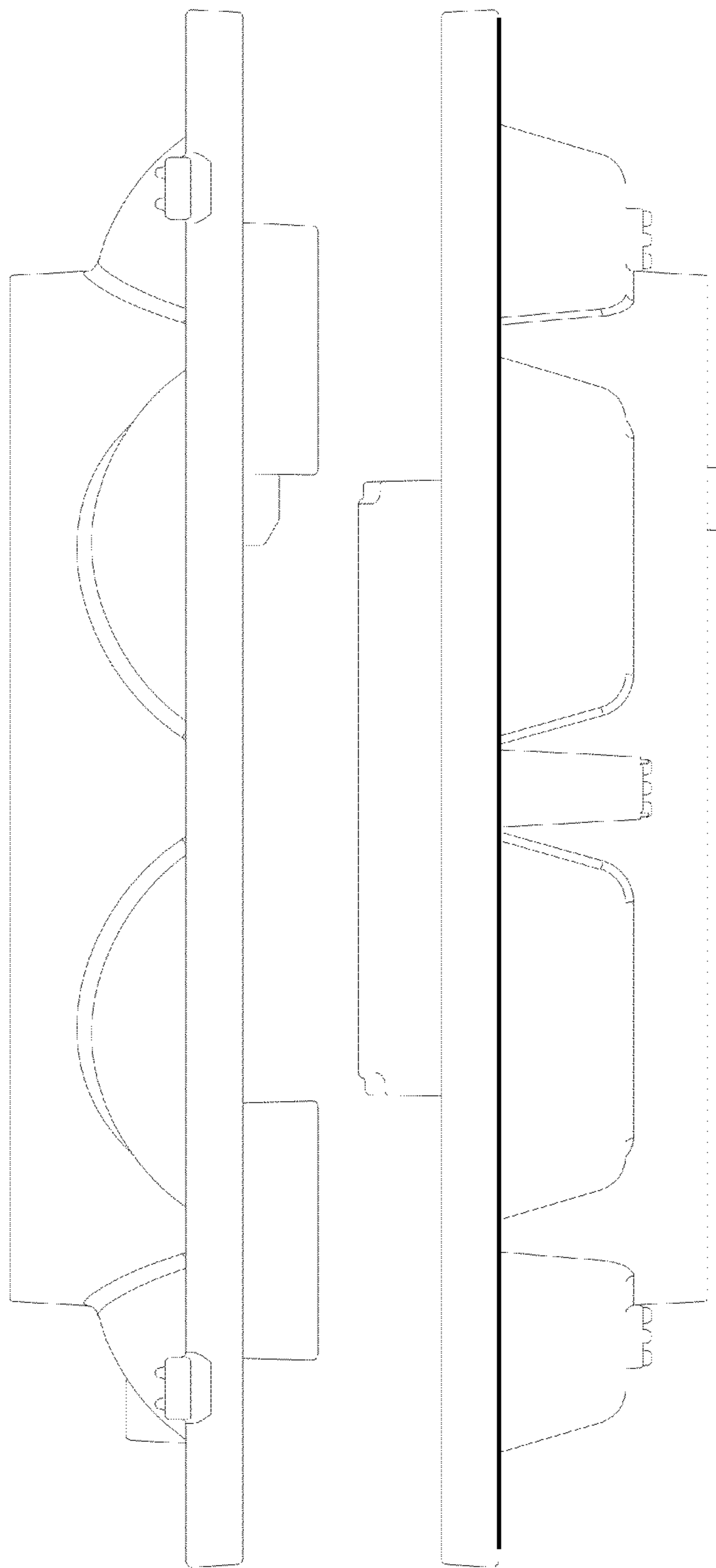


Fig.5



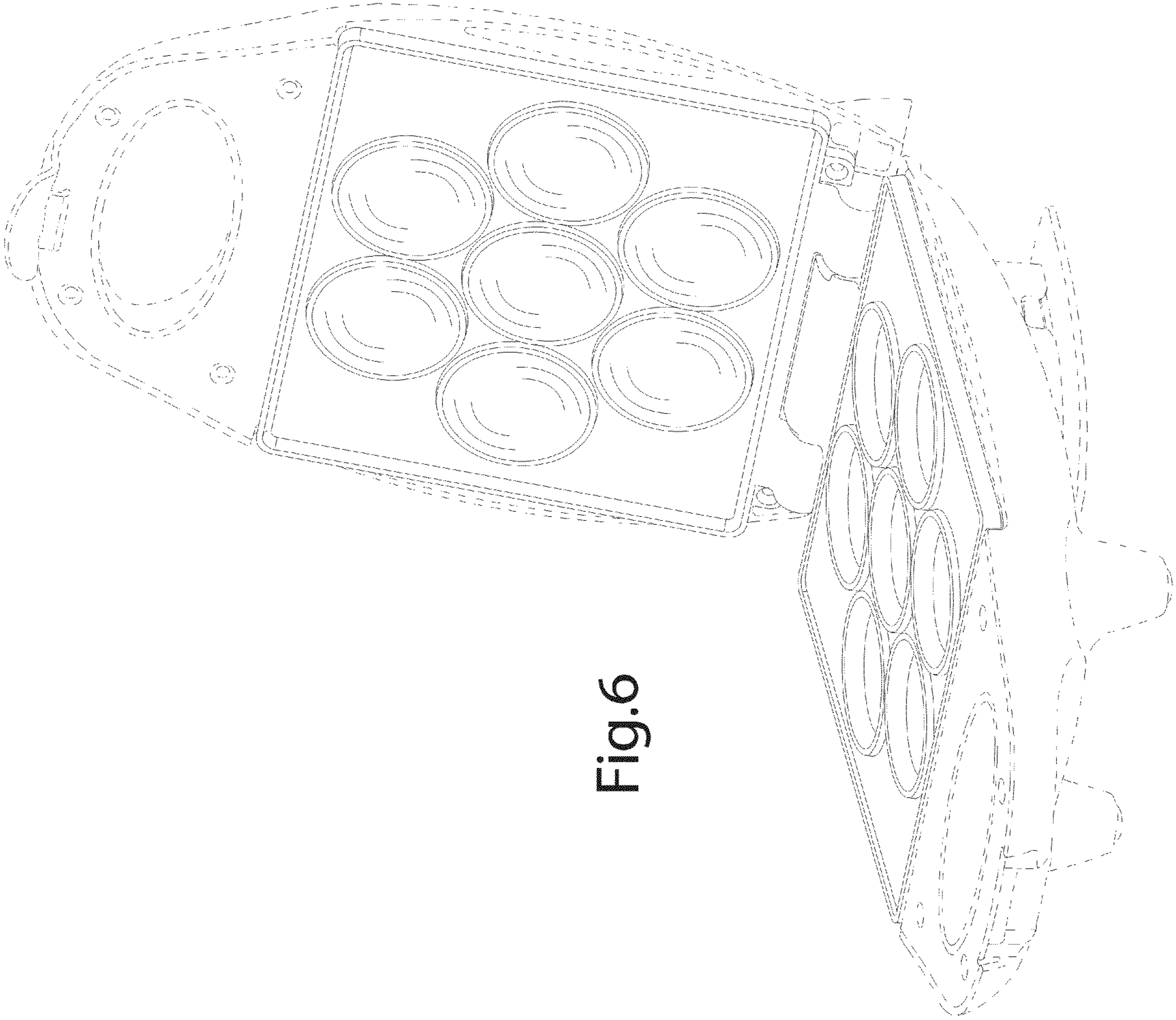


Fig.6

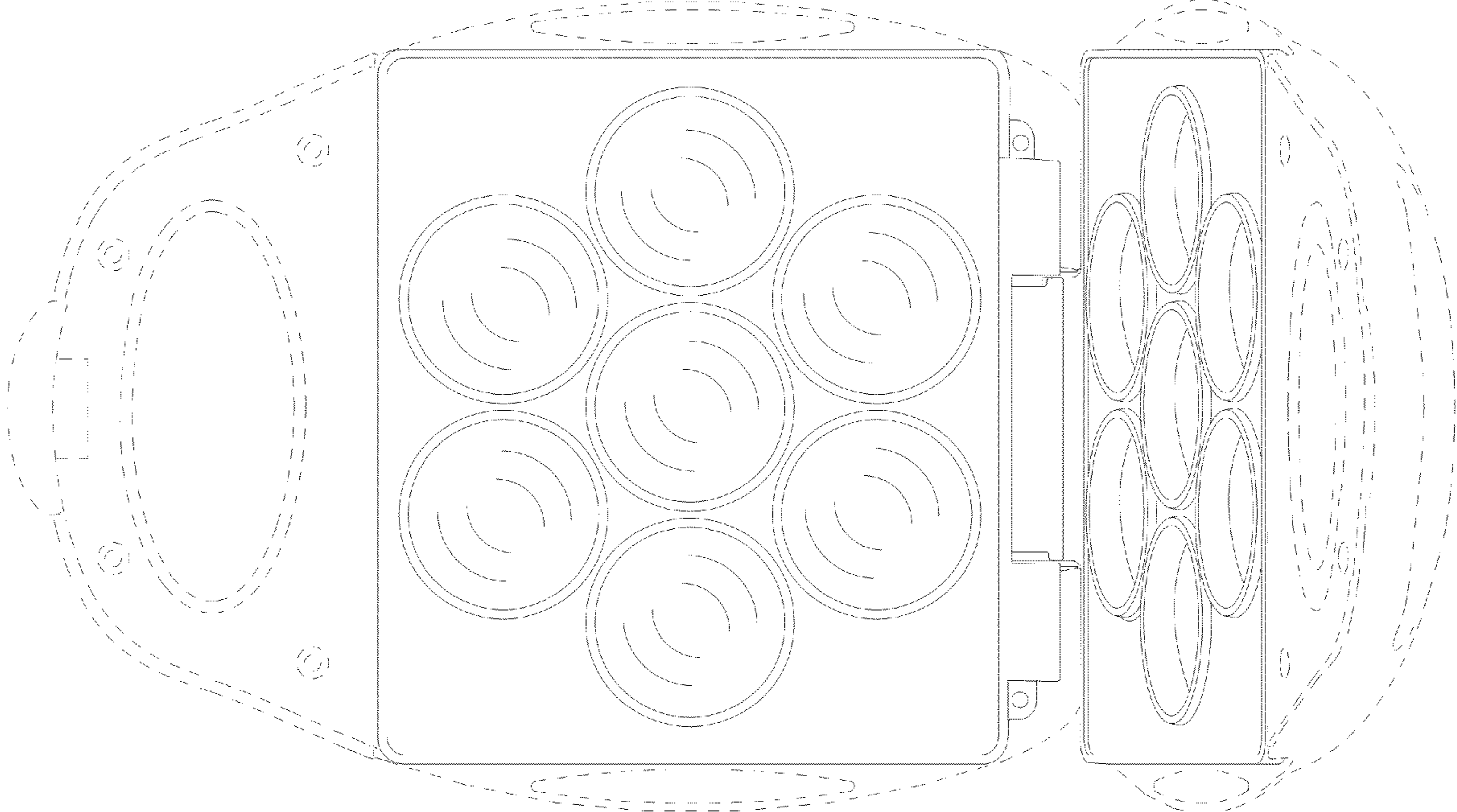


Fig.7