



US00D686867S

(12) **United States Design Patent**
Ho

(10) **Patent No.:** **US D686,867 S**
(45) **Date of Patent:** **** Jul. 30, 2013**

(54) **ROAST MACHINE**

(76) Inventor: **Wei-Teh Ho, Taipei (TW)**

(**) Term: **14 Years**

(21) Appl. No.: **29/419,488**

(22) Filed: **Apr. 27, 2012**

(51) **LOC (9) Cl.** **07-02**

(52) **U.S. Cl.**
USPC **D7/334; D7/339**

(58) **Field of Classification Search**
USPC D7/323, 328, 330, 332, 334-337,
D7/338, 339-349, 402, 403, 404, 408, 409;
126/1 R, 9 B, 25 A, 25 AA, 25 R, 58, 59,
126/59.5, 79, 275 R, 37 A, 38, 39 R, 41 R,
126/40; 99/324, 327, 331, 339, 340-344,
99/345, 352, 357, 419, 421 H, 444, 450, 467,
99/481, 482, 473, 484; 219/391-399, 385,
219/386, 200; 392/407; 426/235

See application file for complete search history.

(56) **References Cited**

U.S. PATENT DOCUMENTS

D144,431 S *	4/1946	Talley	D7/332
2,666,426 A *	1/1954	Pollard	126/25 R
D179,345 S *	12/1956	Henry et al.	D7/334
D196,553 S *	10/1963	Mayer	D7/334
4,572,062 A *	2/1986	Widdowson	99/345
6,012,381 A *	1/2000	Hawn	99/340
6,425,318 B1 *	7/2002	Kim	99/327

D483,602 S *	12/2003	Murray	D7/334
7,164,850 B1 *	1/2007	Ho	392/407
7,856,924 B1 *	12/2010	Stihi	99/419
D641,581 S *	7/2011	Ho	D7/328
2006/0054157 A1 *	3/2006	Wang et al.	126/25 R
2006/0278210 A1 *	12/2006	Wang	126/25 R
2007/0277805 A1 *	12/2007	Ho	126/25 R
2008/0163865 A1 *	7/2008	Ho	126/9 B
2010/0059038 A1 *	3/2010	Ho	126/25 R

* cited by examiner

Primary Examiner — Caron D Veynar

Assistant Examiner — Martie K Holtje

(74) *Attorney, Agent, or Firm* — Chun-Ming Shih

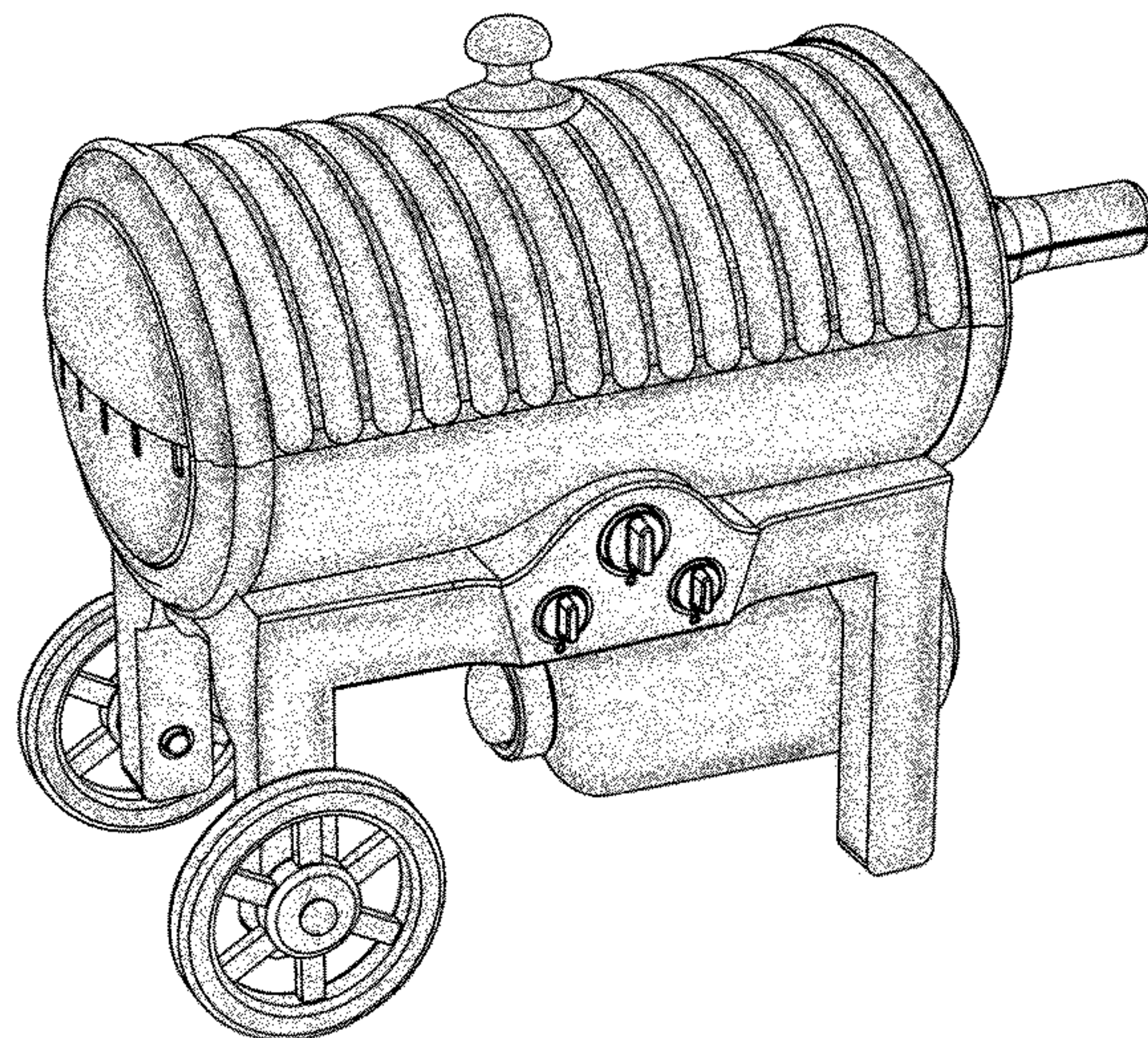
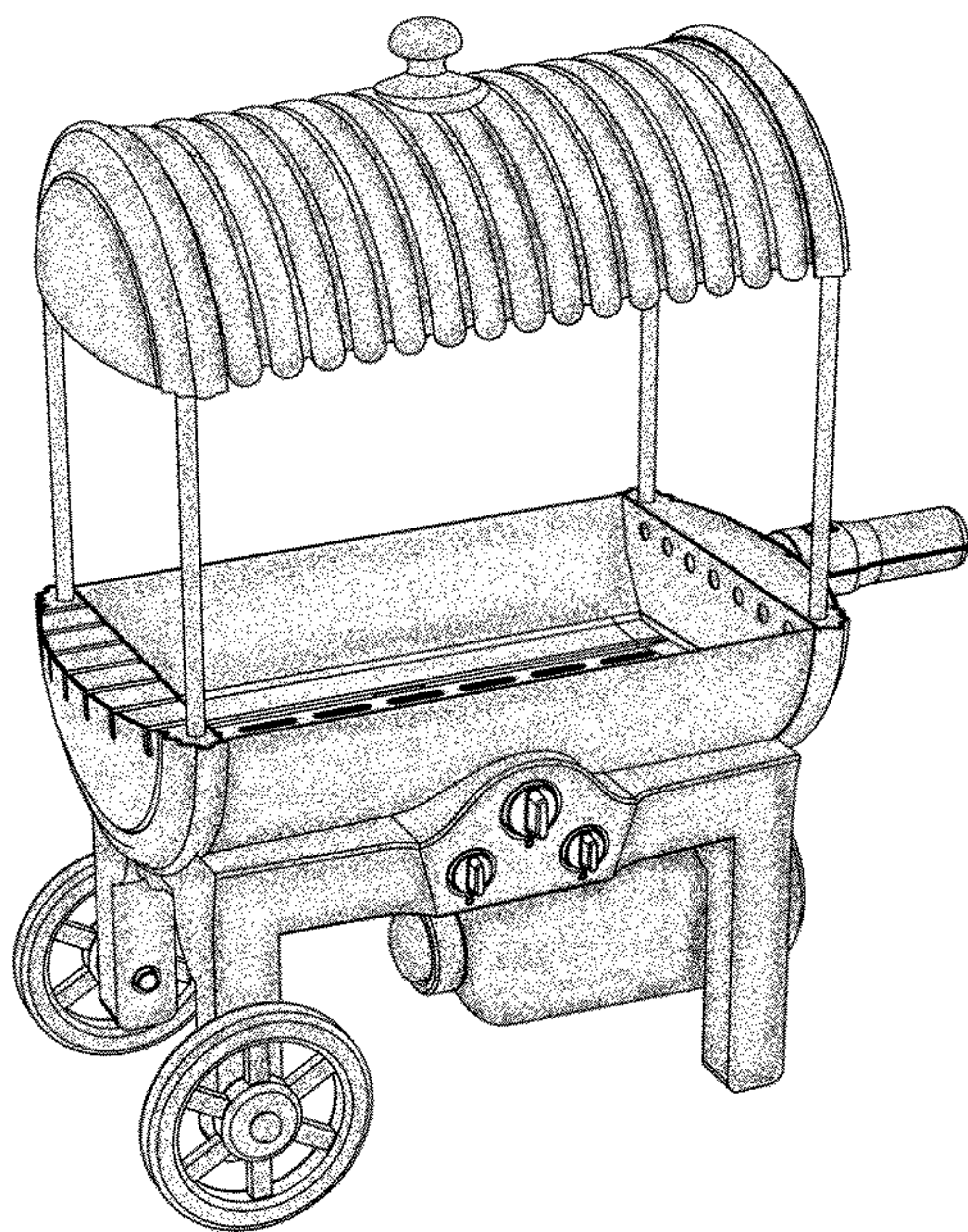
(57) **CLAIM**

The ornamental design for a roast machine, as shown and described.

DESCRIPTION

FIG. 1 is a left front perspective view of a roast machine showing my new design;
FIG. 2 is a front elevational view thereof;
FIG. 3 is a rear elevational view thereof;
FIG. 4 is a left side elevational view thereof;
FIG. 5 is a right side elevational view thereof;
FIG. 6 is a top plan view thereof;
FIG. 7 is a bottom plan view thereof; and,
FIG. 8 is a left front perspective view thereof in a closed condition.

1 Claim, 7 Drawing Sheets



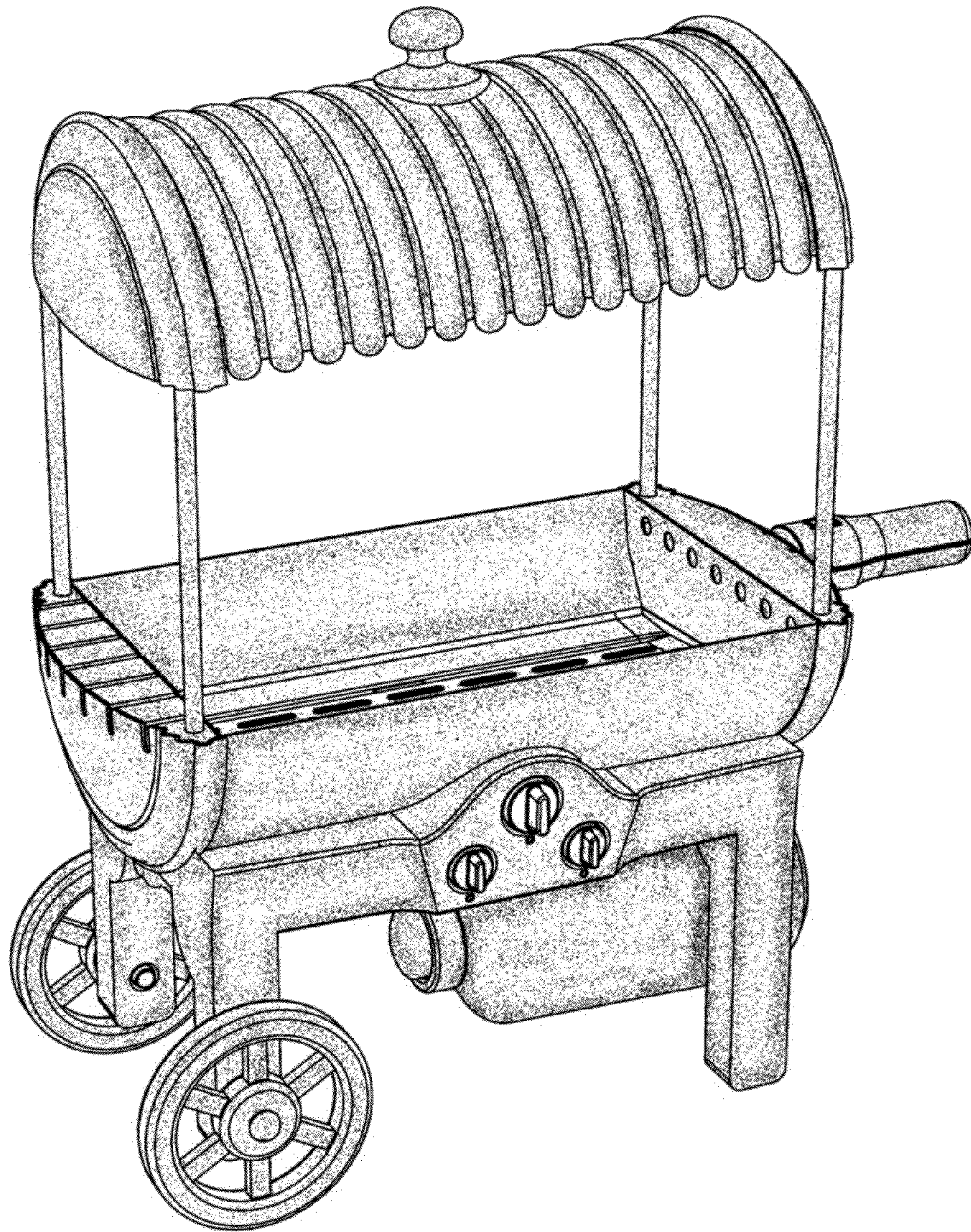


FIG. 1

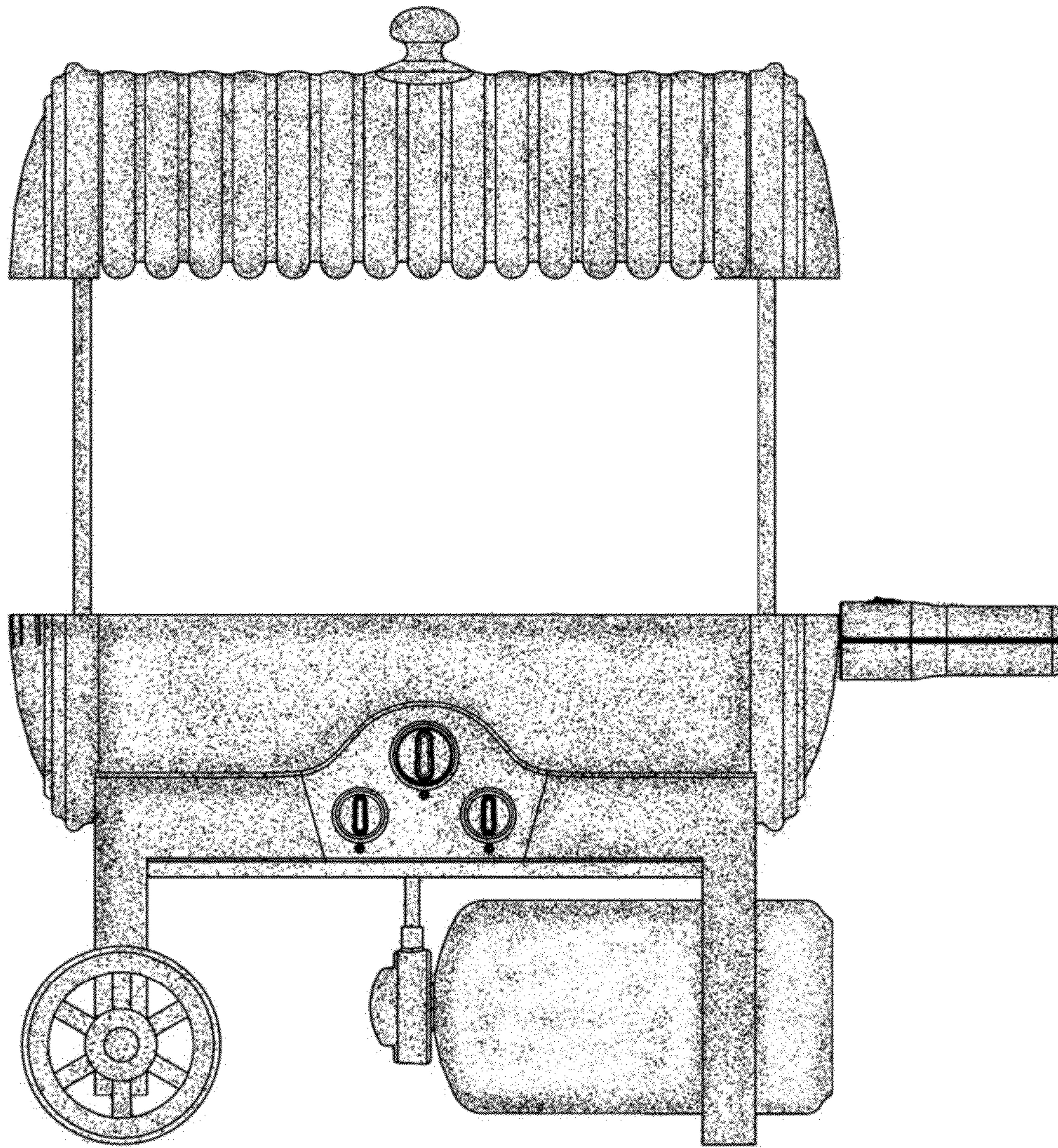


FIG. 2

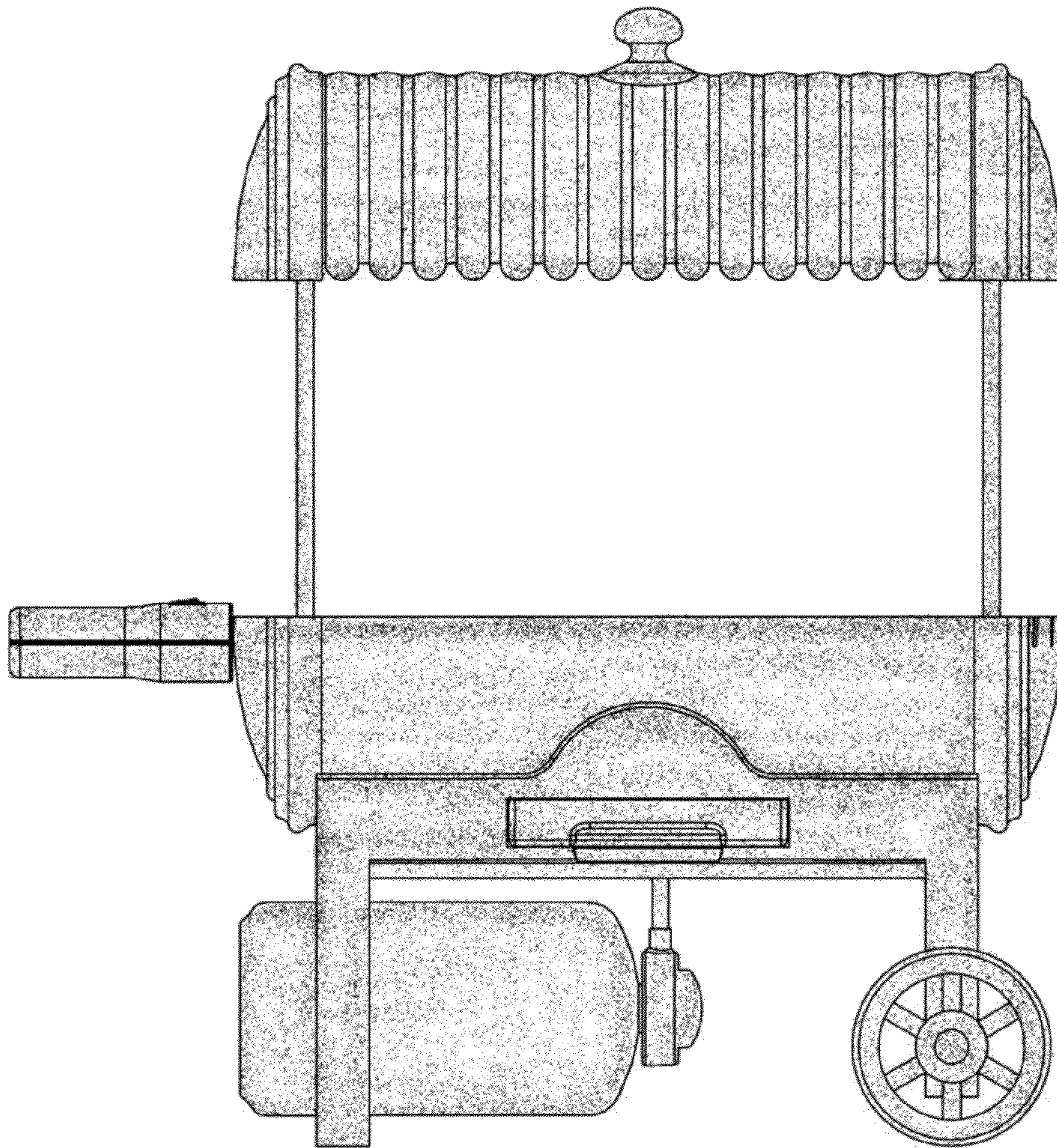


FIG. 3

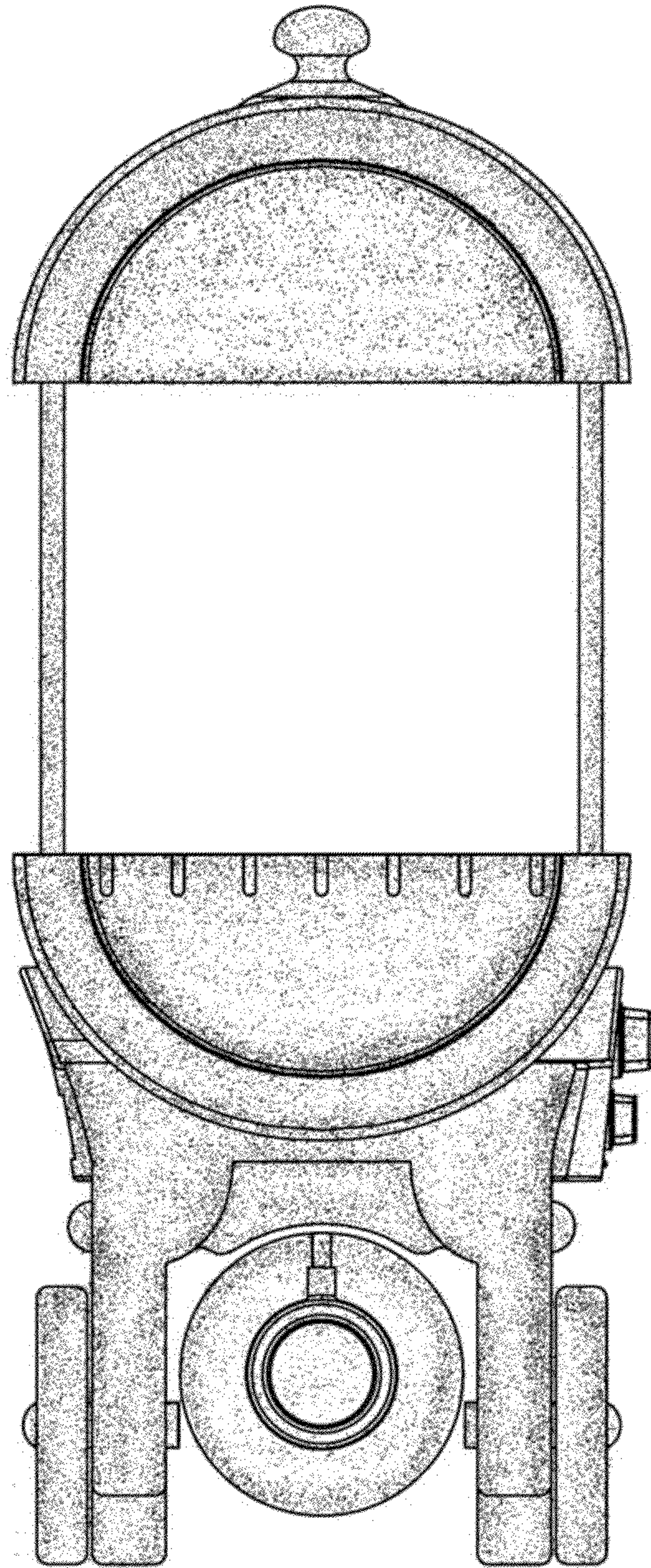


FIG. 4

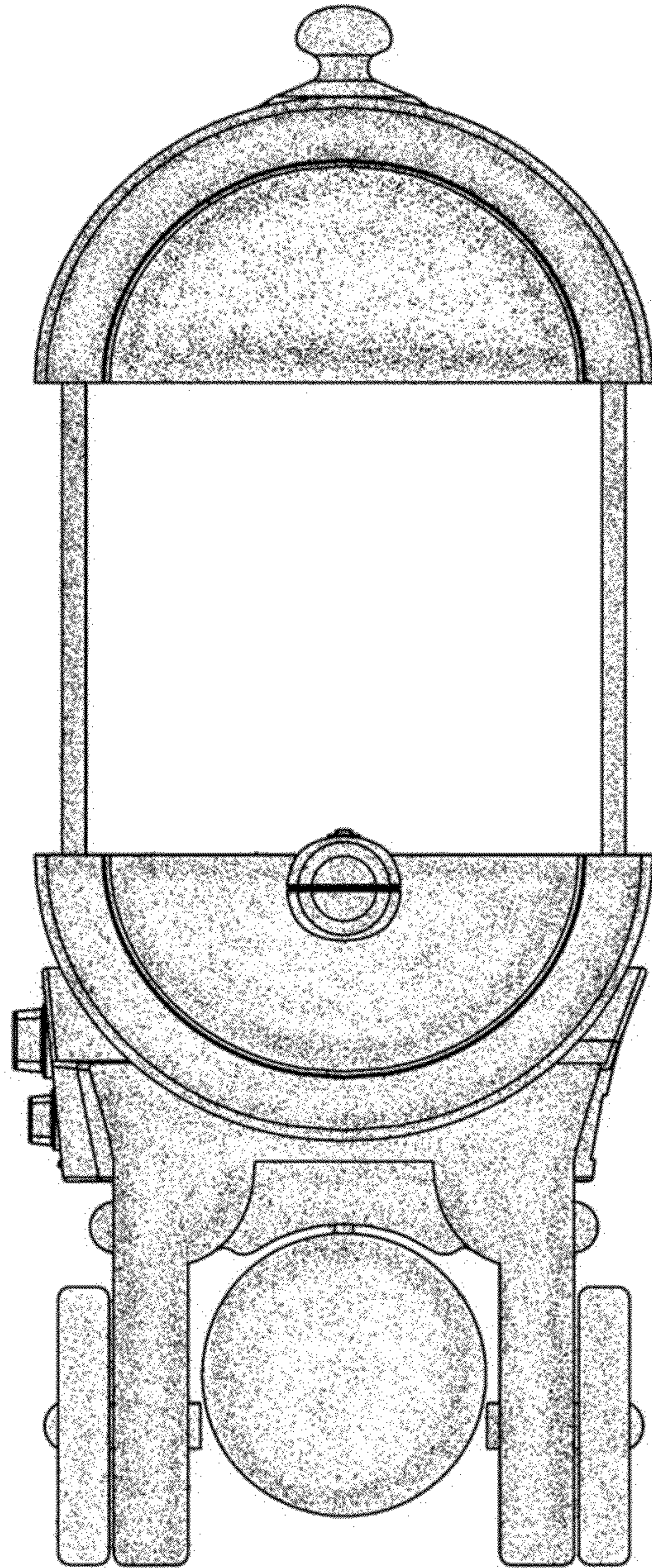


FIG. 5

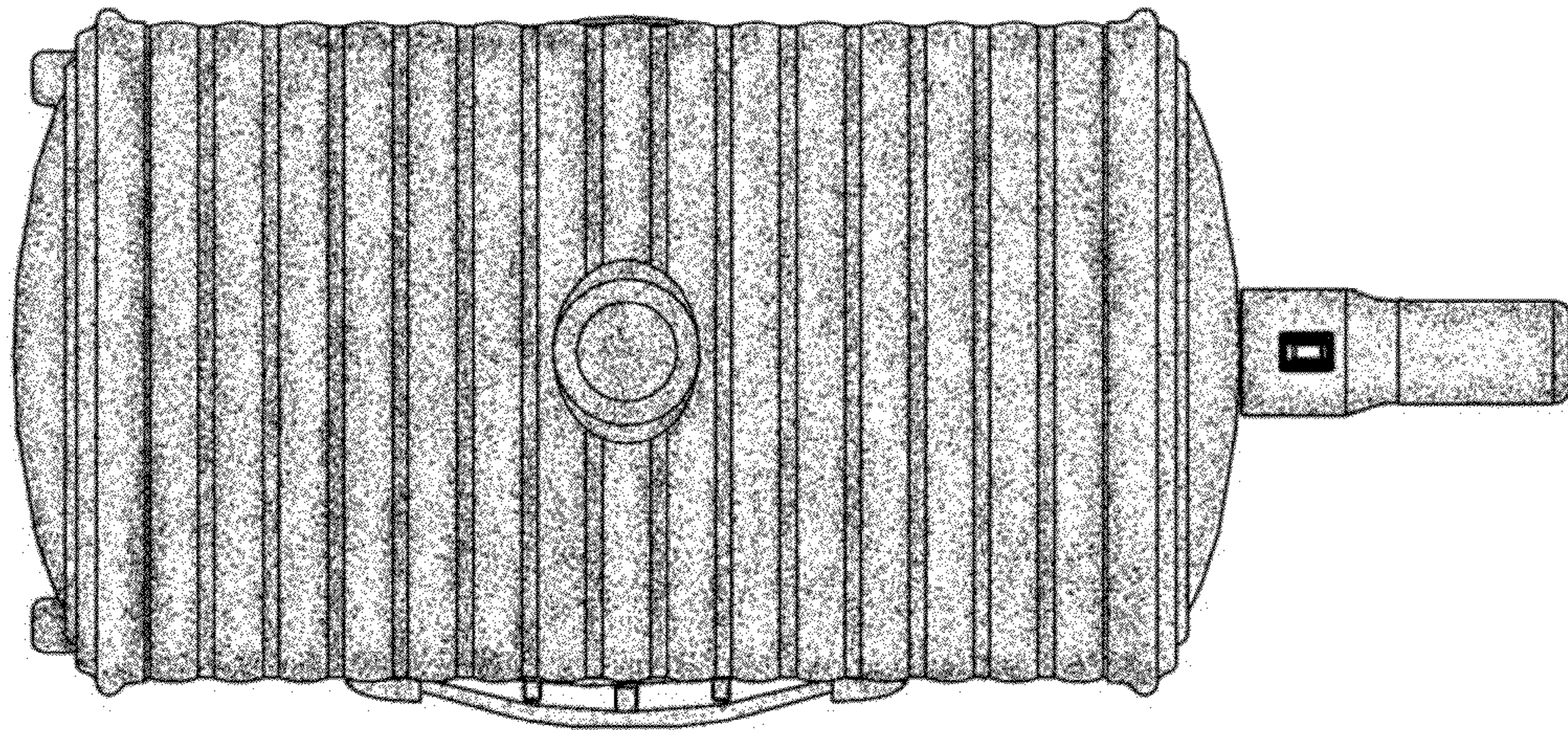


FIG. 6

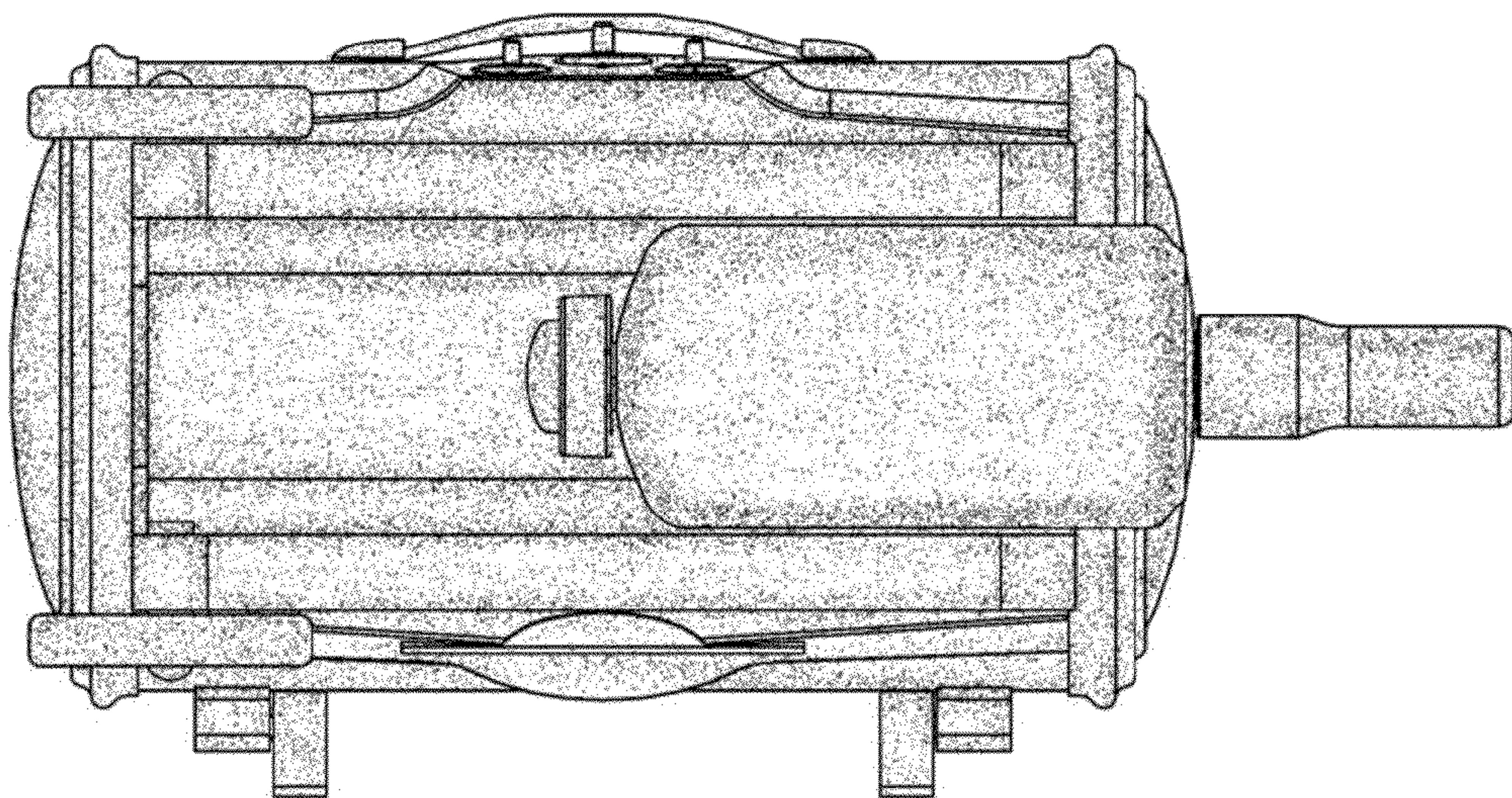


FIG. 7

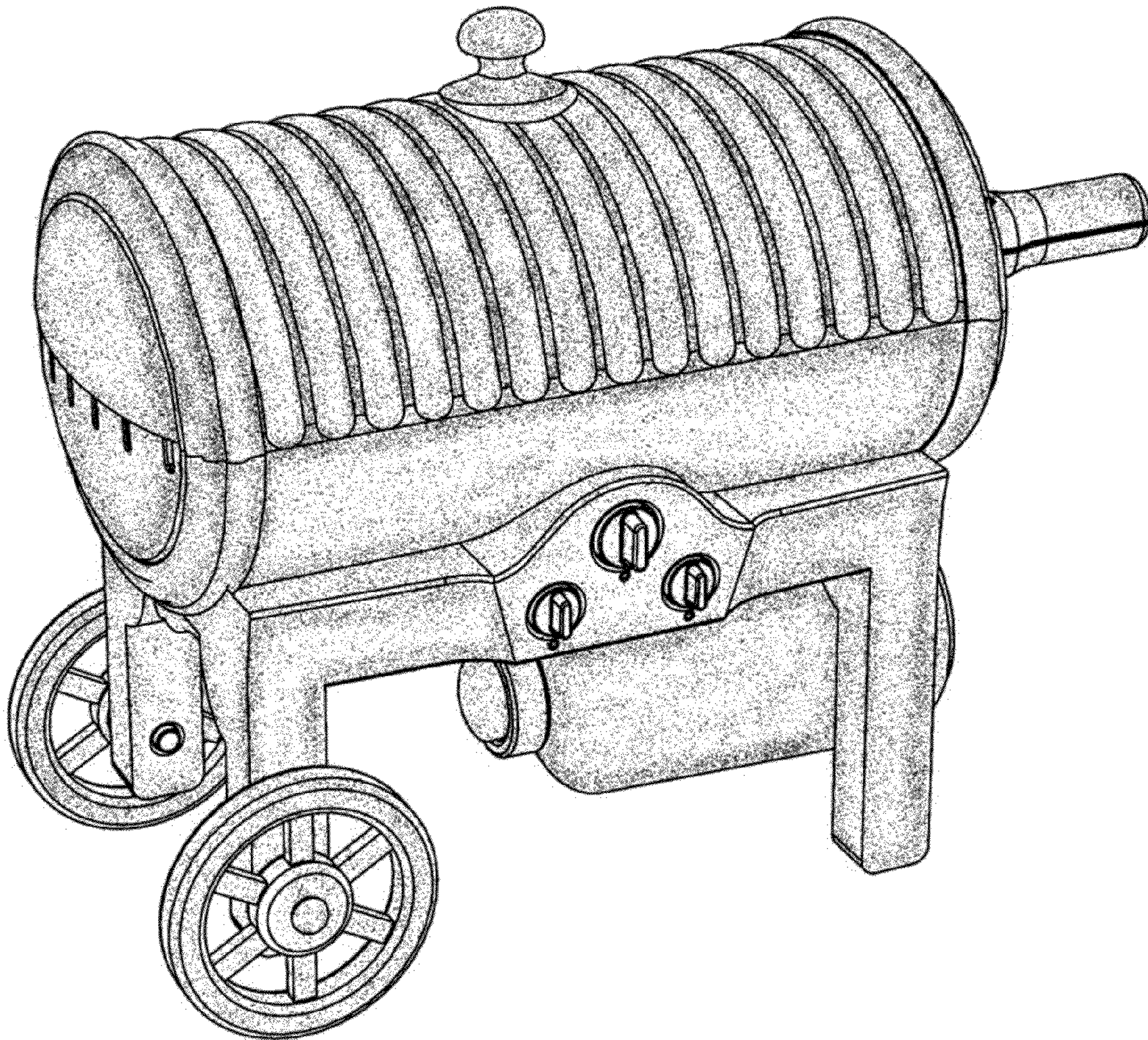


FIG. 8