



US00D686863S

(12) **United States Design Patent**
Chen et al.

(10) **Patent No.:** **US D686,863 S**
(45) **Date of Patent:** **** Jul. 30, 2013**

(54) **BEVERAGE SYSTEM WITH AERATION**

(56) **References Cited**

(71) Applicant: **Electrical and Electronics, Ltd.**, Hong Kong (CN)

U.S. PATENT DOCUMENTS

(72) Inventors: **Andrew Yuen Chin Chen**, Hong Kong (CN); **Amy Decem Cheng**, Hong Kong (CN); **Dick Tak Fung Leung**, Hong Kong (CN); **Paul Cheuk Wai Lai**, Hong Kong (CN); **Raymond Wai Ming Wong**, Hong Kong (CN)

4,309,939	A	*	1/1982	Stover	99/280
D264,214	S	*	5/1982	Bowen et al.	D7/307
4,579,048	A	*	4/1986	Stover	99/280
D557,057	S	*	12/2007	Einav	D7/307
D636,214	S	*	4/2011	Parker et al.	D7/306
D674,231	S	*	1/2013	Wilder et al.	D7/306

(73) Assignee: **Electrical & Electronics Ltd**, Hong Kong (CN)

* cited by examiner

Primary Examiner — Marianne Pandozzi

(**) Term: **14 Years**

(74) *Attorney, Agent, or Firm* — Law Offices of Albert Wai-Kit Chan, PLLC

(21) Appl. No.: **29/440,470**

(57) **CLAIM**

We claim the ornamental design for a beverage system with aeration, as shown and described.

(22) Filed: **Dec. 21, 2012**

DESCRIPTION

Related U.S. Application Data

(63) Continuation of application No. PCT/IB2012/055084, filed on Sep. 24, 2012.

FIG. 1 is a front view of a beverage system with aeration showing our new design;
FIG. 2 is a top perspective view thereof;
FIG. 3 is another top perspective view thereof in open position for bottle installation;
FIG. 4 is a side view thereof;
FIG. 5 is a top plan view thereof;
FIG. 6 is a top perspective view thereof showing the dispensing head and aeration system enlarged and the rest of the body removed for ease of illustration; and,
FIG. 7 is another top perspective view thereof enlarged and partially broken away for ease of illustration.

(51) **LOC (9) Cl.** **07-01**

(52) **U.S. Cl.**
USPC **D7/307; D7/305; D7/308**

(58) **Field of Classification Search**
USPC **D7/305-311, 300; 99/280, 284, 285; 222/146.6**

See application file for complete search history.

1 Claim, 7 Drawing Sheets

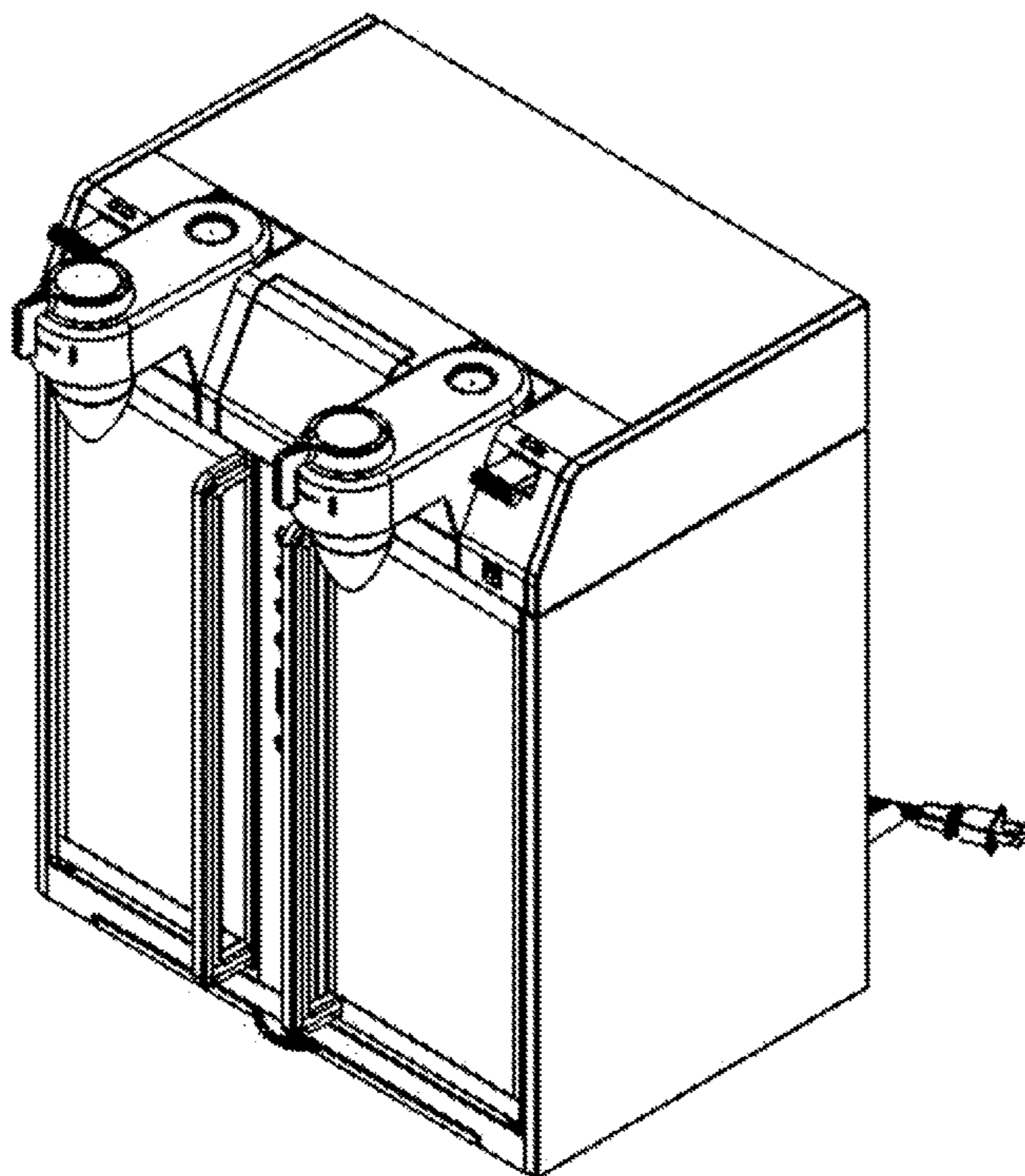


Figure 1

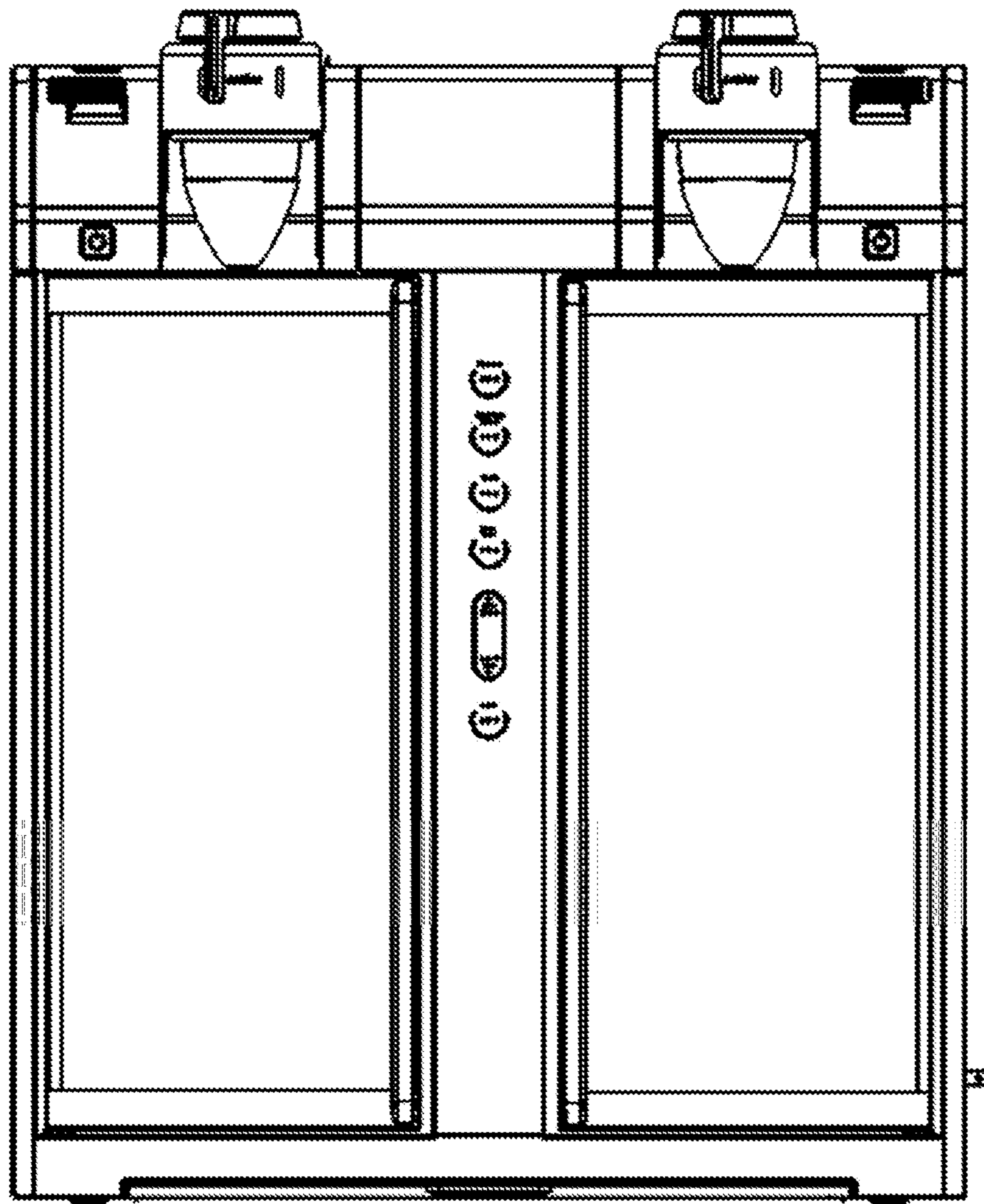


Figure 2

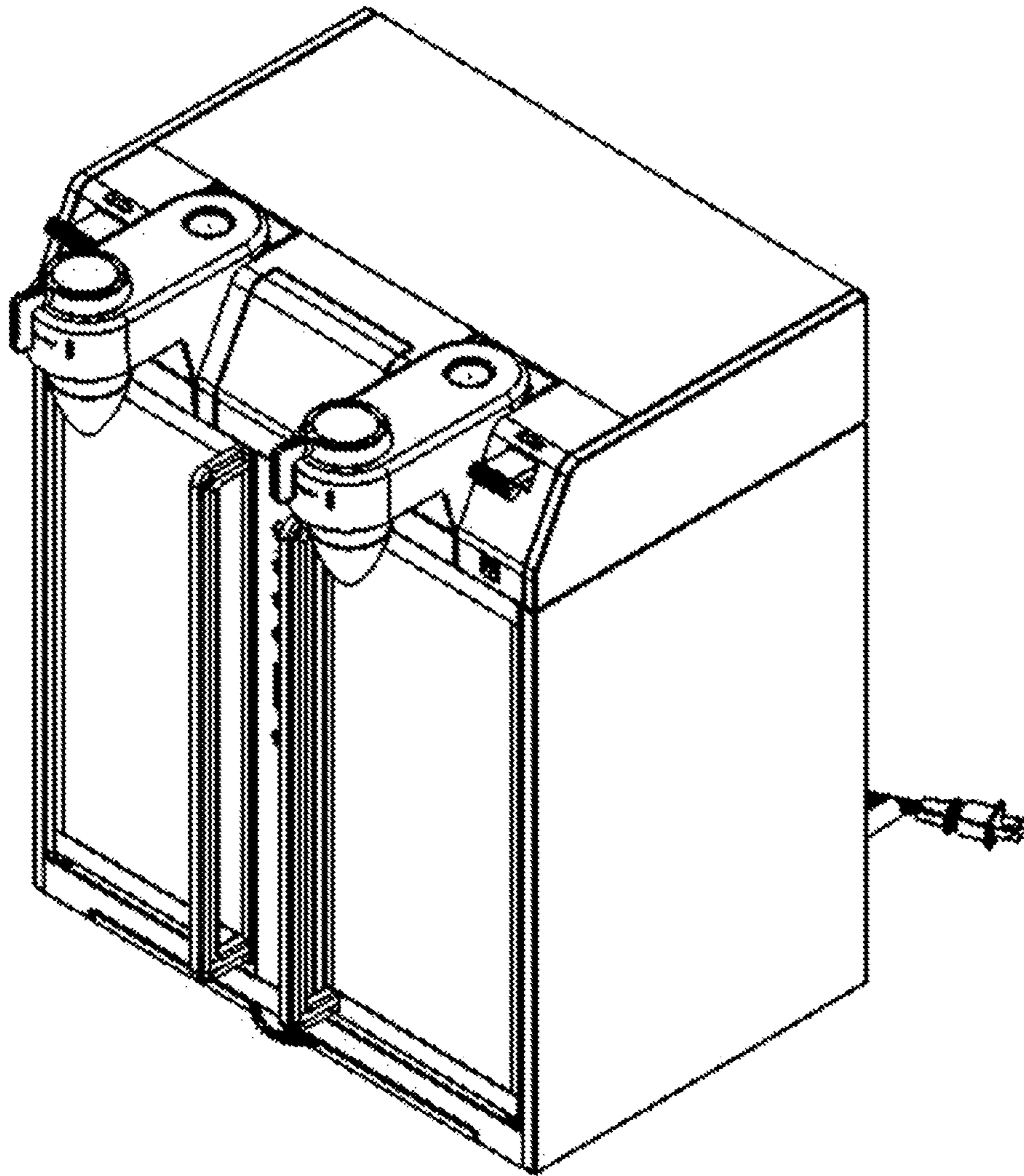


Figure 3

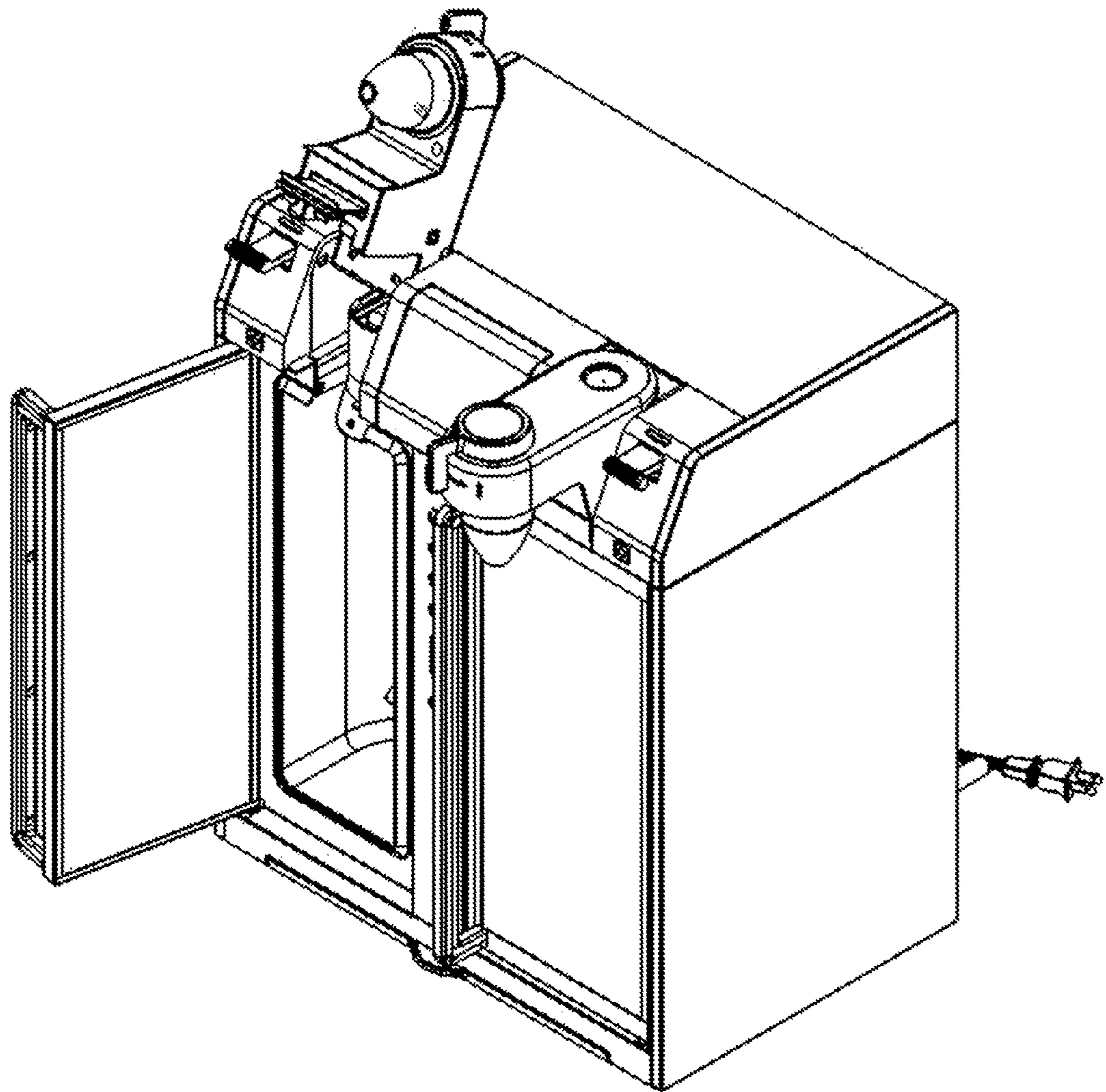


Figure 4

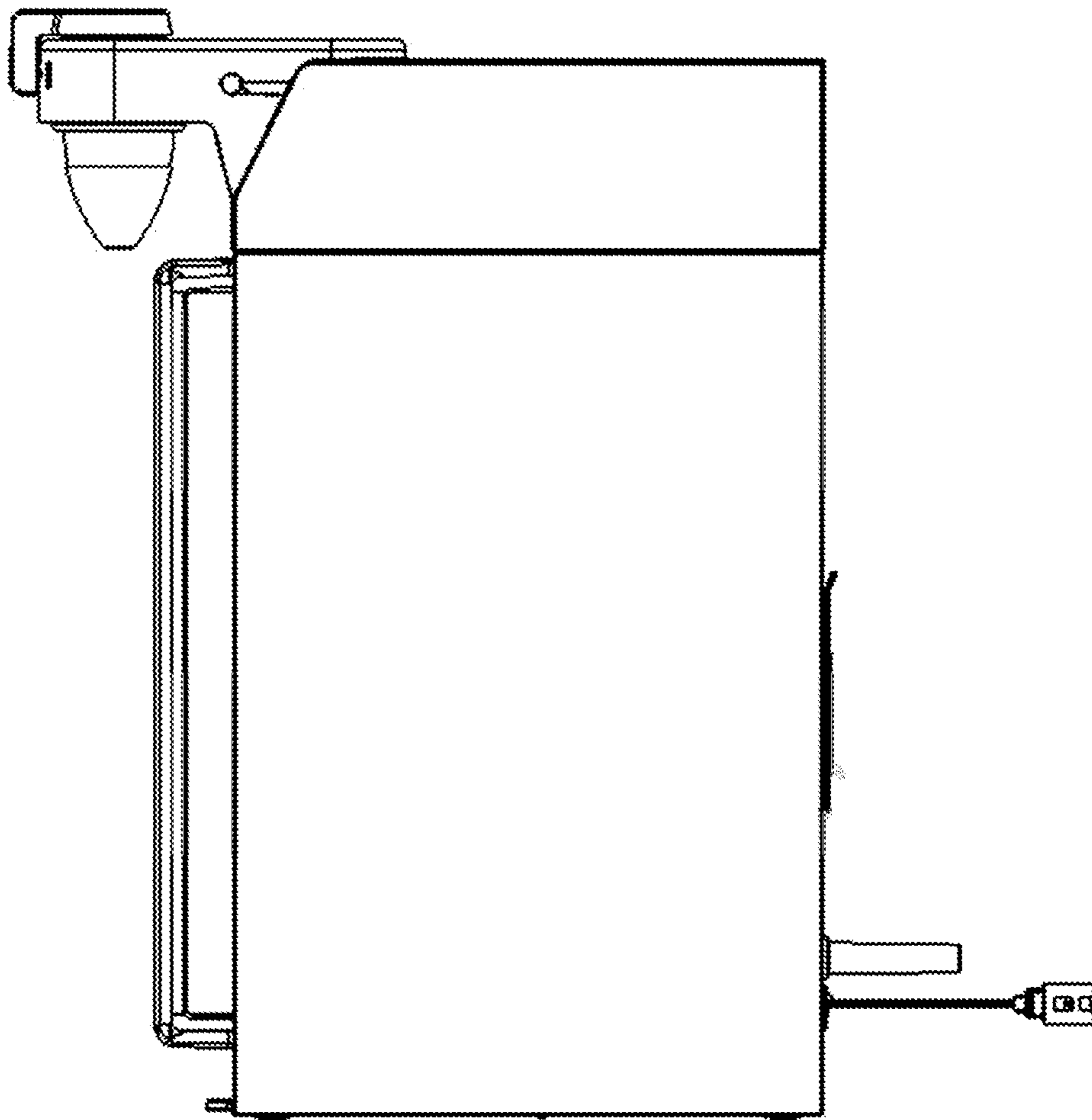


Figure 5

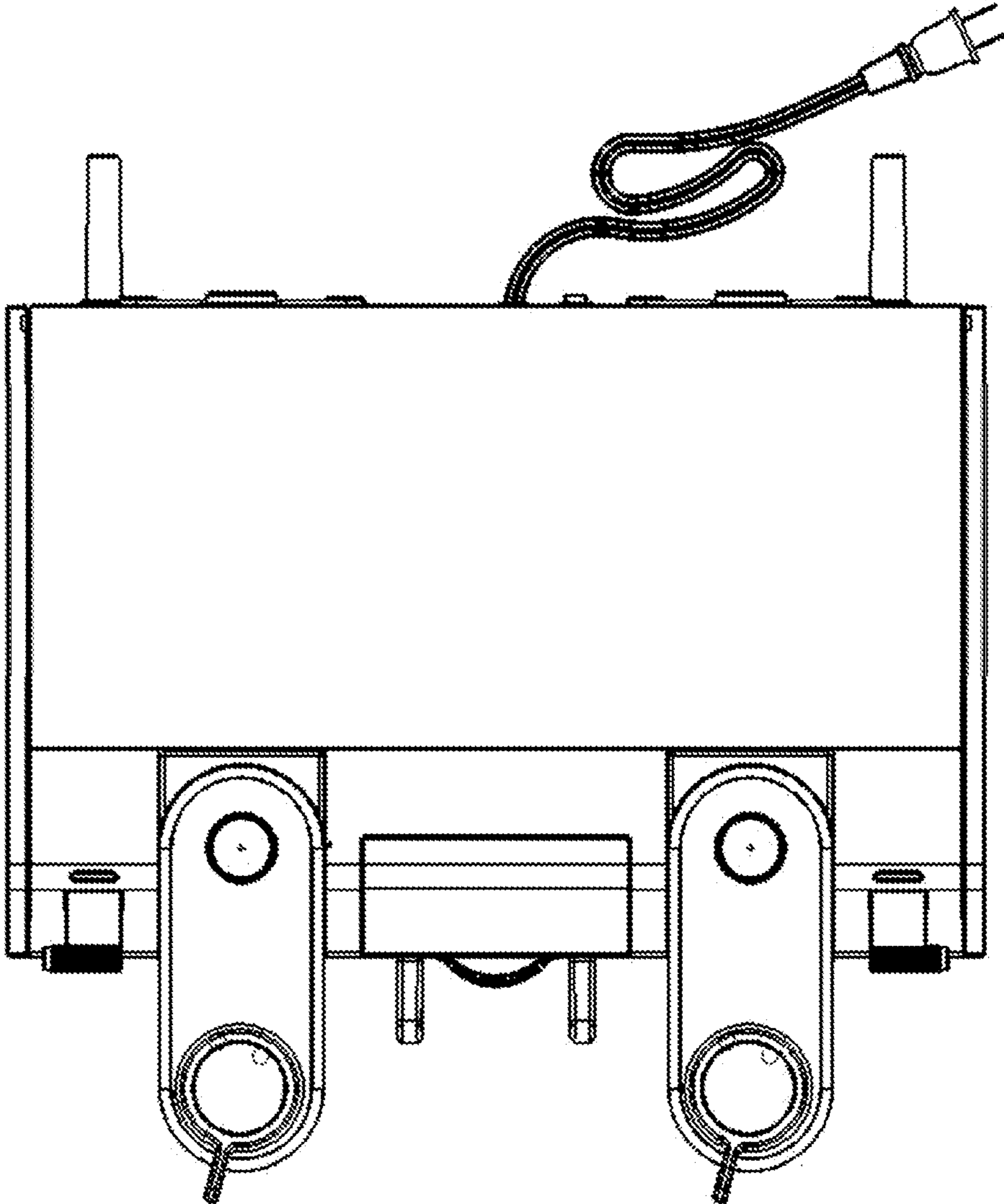


Figure 6

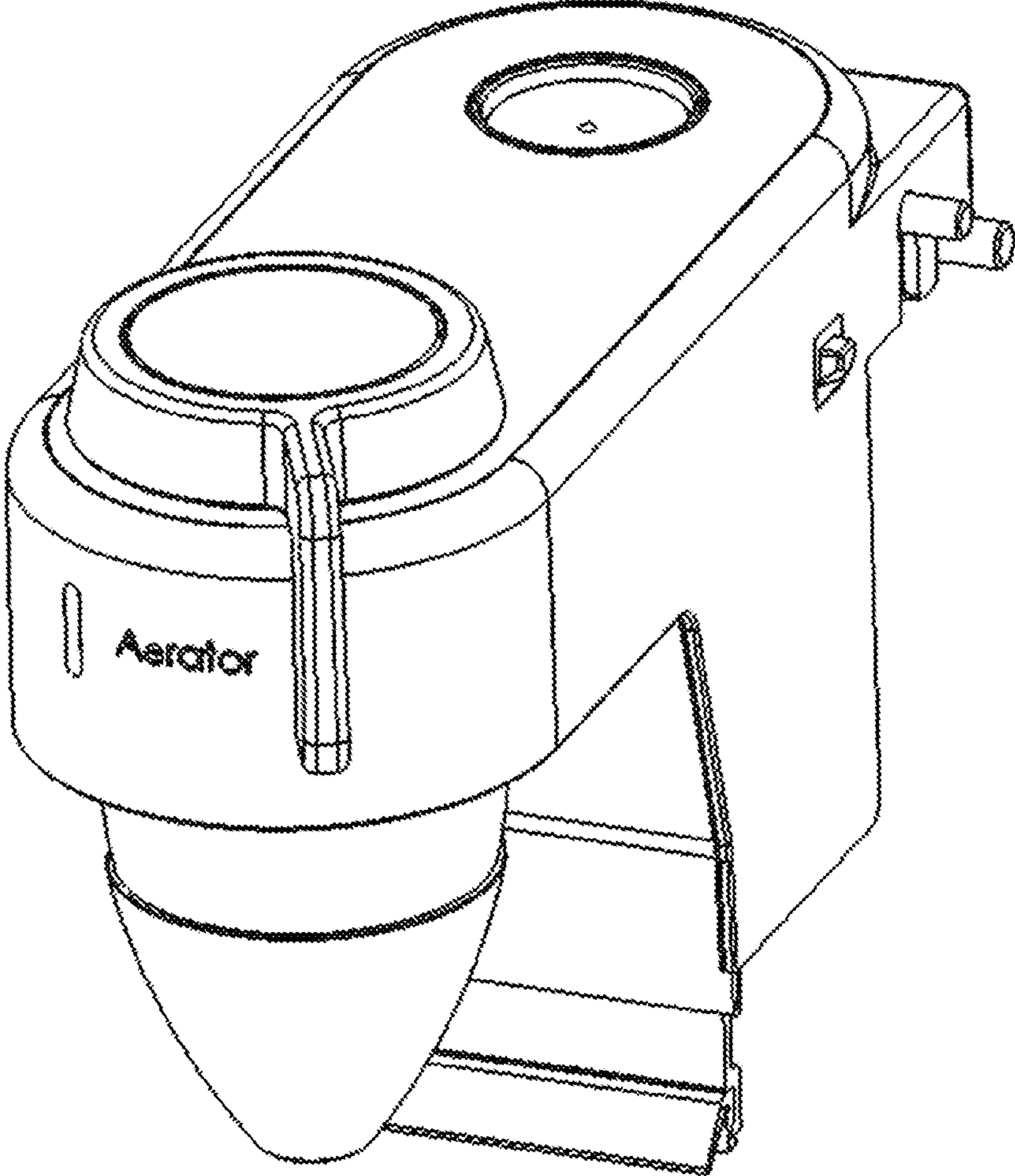


Figure 7

