



US00D686859S

(12) **United States Design Patent**  
**Fletcher**

(10) **Patent No.:** **US D686,859 S**  
(45) **Date of Patent:** **\*\* Jul. 30, 2013**

(54) **CHAIR WITH CURVED LEGS**

- (75) Inventor: **Scott Fletcher**, Redondo Beach, CA (US)
- (73) Assignee: **Virco Mfg. Corporation**, Torrance, CA (US)
- (\*\*) Term: **14 Years**
- (21) Appl. No.: **29/414,866**
- (22) Filed: **Mar. 5, 2012**
- (51) **LOC (9) Cl.** ..... **06-01**
- (52) **U.S. Cl.**  
USPC ..... **D6/716**
- (58) **Field of Classification Search**  
USPC ..... D6/334-336, 360, 371-373, 374, D6/375, 376, 379, 380, 716, 716.1, 716.2, D6/716.3, 716.4; 297/239, 296, 445.1, 446.1, 297/447.1, 447.2, 451.1, 452.2, 461  
See application file for complete search history.

(56) **References Cited**

**U.S. PATENT DOCUMENTS**

|              |    |   |         |                 |       |         |
|--------------|----|---|---------|-----------------|-------|---------|
| D182,790     | S  | * | 5/1958  | Cohen           | ..... | D6/375  |
| 2,952,300    | A  | * | 9/1960  | Cohen           | ..... | 297/239 |
| 4,002,369    | A  |   | 1/1977  | Jennings        |       |         |
| D388,629     | S  | * | 1/1998  | Piretti         | ..... | D6/380  |
| D470,320     | S  |   | 2/2003  | Schloss         |       |         |
| D471,730     | S  |   | 3/2003  | Schloss         |       |         |
| D498,937     | S  | * | 11/2004 | Messier et al.  | ..... | D6/375  |
| D499,260     | S  | * | 12/2004 | Glass et al.    | ..... | D6/375  |
| D520,768     | S  | * | 5/2006  | Glass et al.    | ..... | D6/374  |
| D522,265     | S  |   | 6/2006  | Glass           |       |         |
| D524,082     | S  | * | 7/2006  | Dettmann et al. | ..... | D6/716  |
| D544,230     | S  | * | 6/2007  | Glass et al.    | ..... | D6/375  |
| D547,979     | S  | * | 8/2007  | Glass et al.    | ..... | D6/716  |
| D566,979     | S  | * | 4/2008  | Cox et al.      | ..... | D6/375  |
| D581,686     | S  | * | 12/2008 | Miller et al.   | ..... | D6/360  |
| 2004/0061365 | A1 | * | 4/2004  | Crue            | ..... | 297/239 |

**OTHER PUBLICATIONS**

- U.S. Appl. No. 29/414,861, filed Mar. 5, 2012, Fletcher.
- U.S. Appl. No. 29/414,864, filed Mar. 5, 2012, Fletcher.
- U.S. Appl. No. 29/414,869, filed Mar. 5, 2012, Fletcher.
- Canadian Office Action dated Jan. 21, 2013 for CA Application No. 146903, titled "Chair with Curved Legs" (4 pages).
- Canadian Office Action dated Jan. 21, 2013 for CA Application No. 146900, titled "Chair with Curved Legs and Back Support" (2 pages).
- Canadian Office Action dated Jan. 21, 2013 for CA Application No. 146901, titled "Chair with Curved Legs" (4 pages).
- Canadian Office Action dated Jan. 21, 2013 for CA Application No. 146902, titled "Chair with Curved Legs and Back Support" (2 pages).

\* cited by examiner

*Primary Examiner* — Mimoso De

(74) *Attorney, Agent, or Firm* — Sheldon Mark & Anderson PC; Denton L. Anderson; Robert Hupe

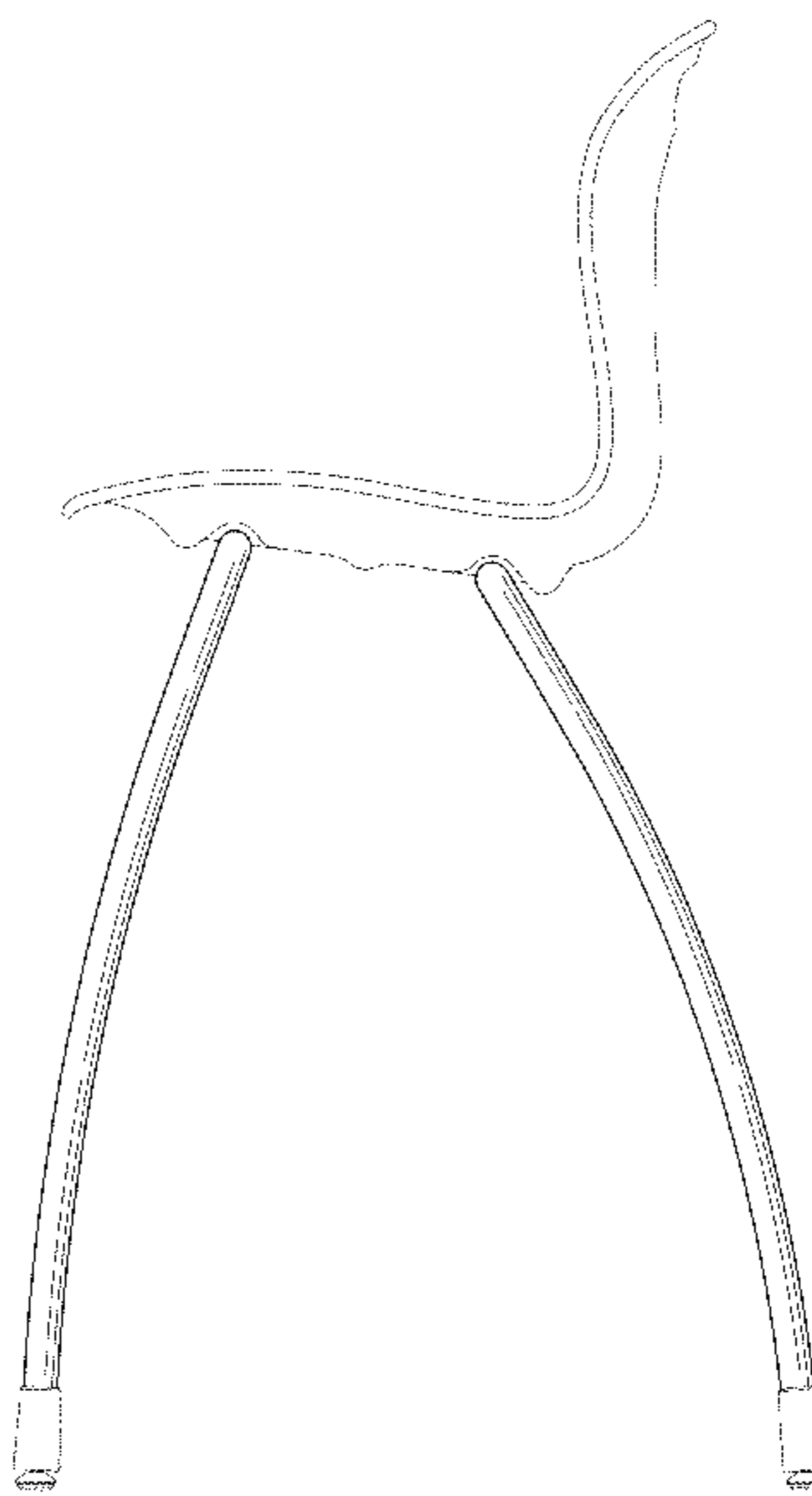
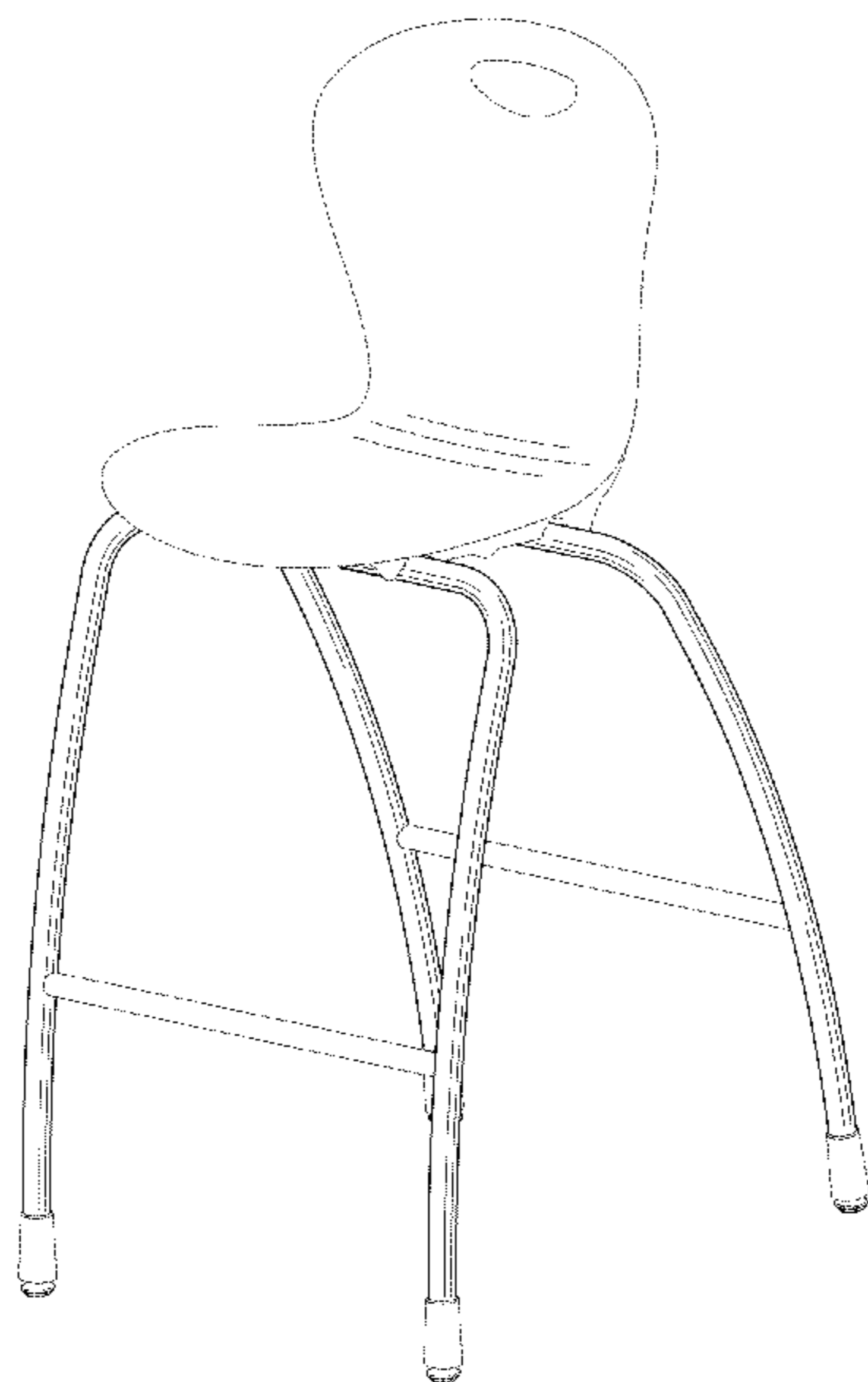
(57) **CLAIM**

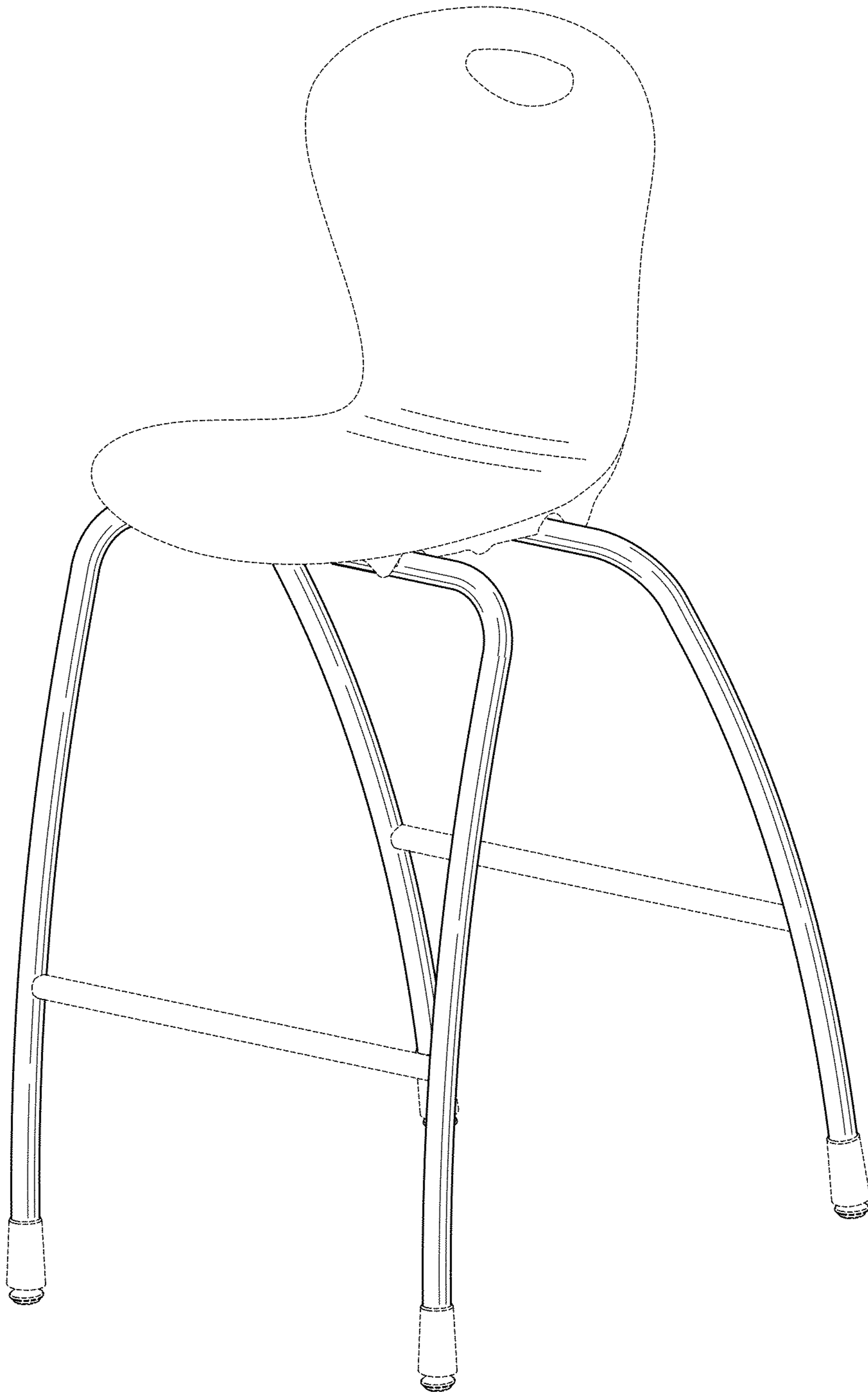
The ornamental design of a chair with curved legs, as shown and described.

**DESCRIPTION**

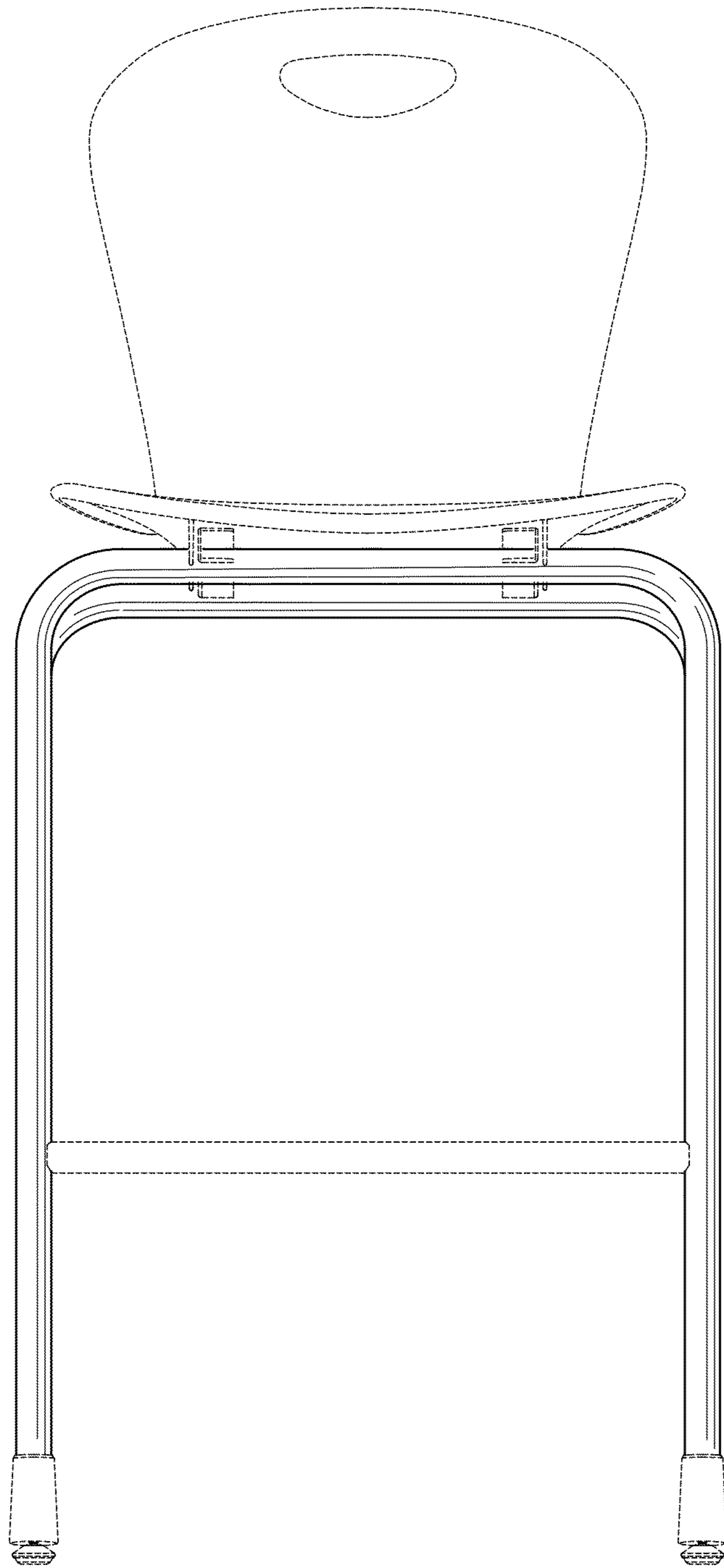
FIG. 1 is a first perspective view of a chair with curved legs, showing my design, the broken lines are for environmental purposes only and form no part of the claimed design; FIG. 2 is a front view of the chair illustrated in FIG. 1; FIG. 3 is a side view of the chair illustrated in FIG. 1, the opposite side of the chair being identical; FIG. 4 is a top view of the chair illustrated in FIG. 1; FIG. 5 is a bottom view of the chair illustrated in FIG. 1; FIG. 6 is a rear view of the chair illustrated in FIG. 1; and, FIG. 7 is a second perspective view of the chair illustrated in FIG. 1.

**1 Claim, 6 Drawing Sheets**

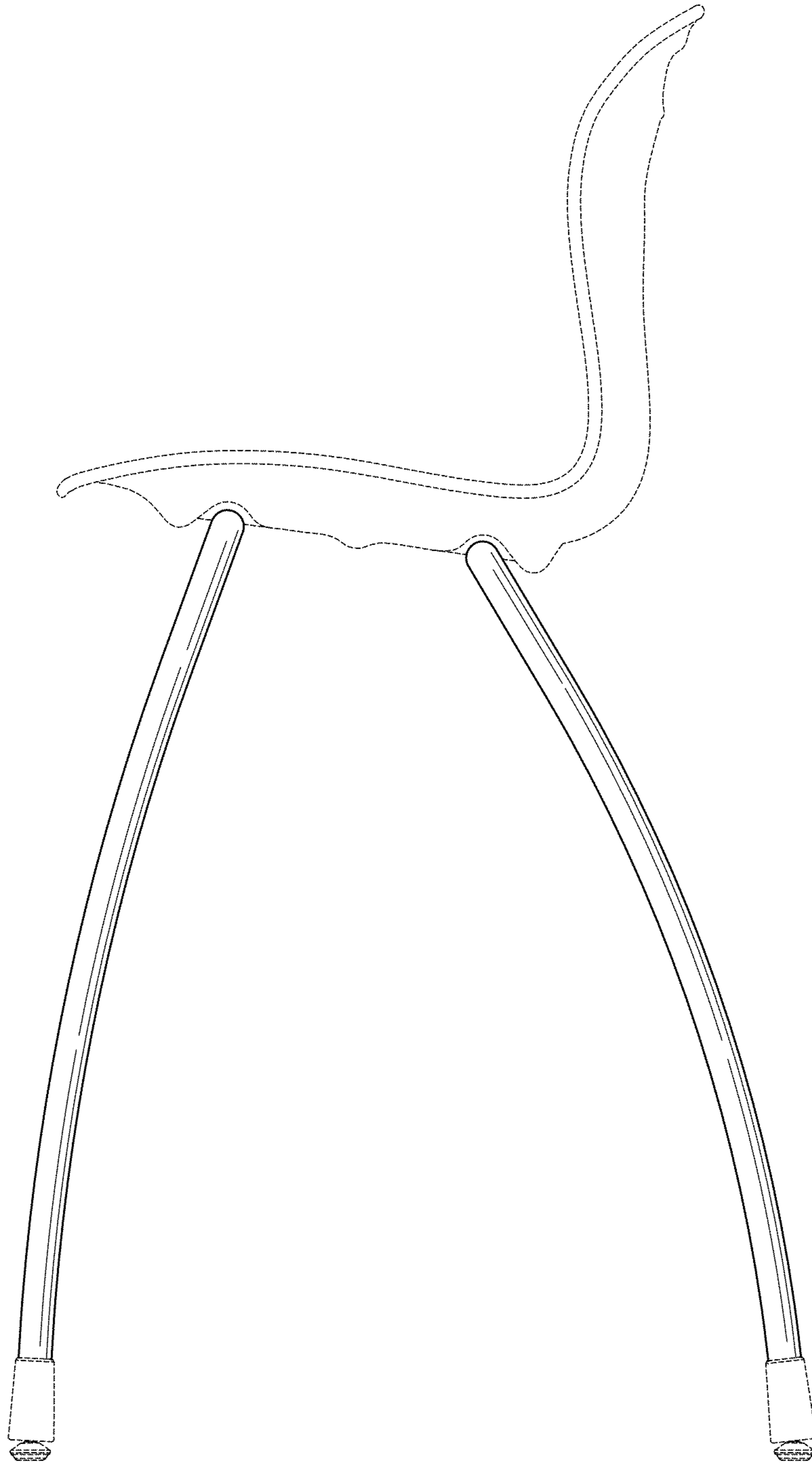




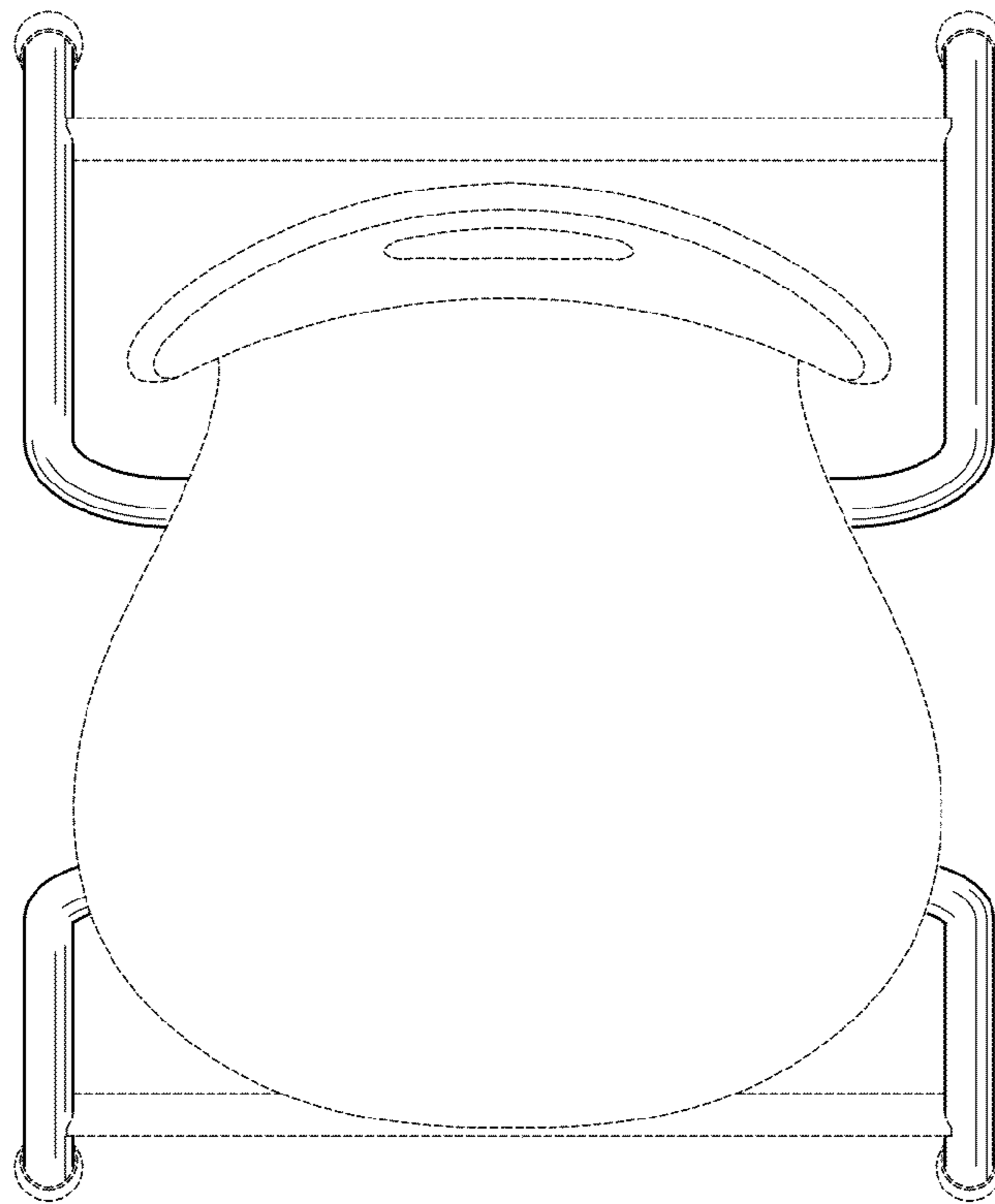
*FIG. 1*



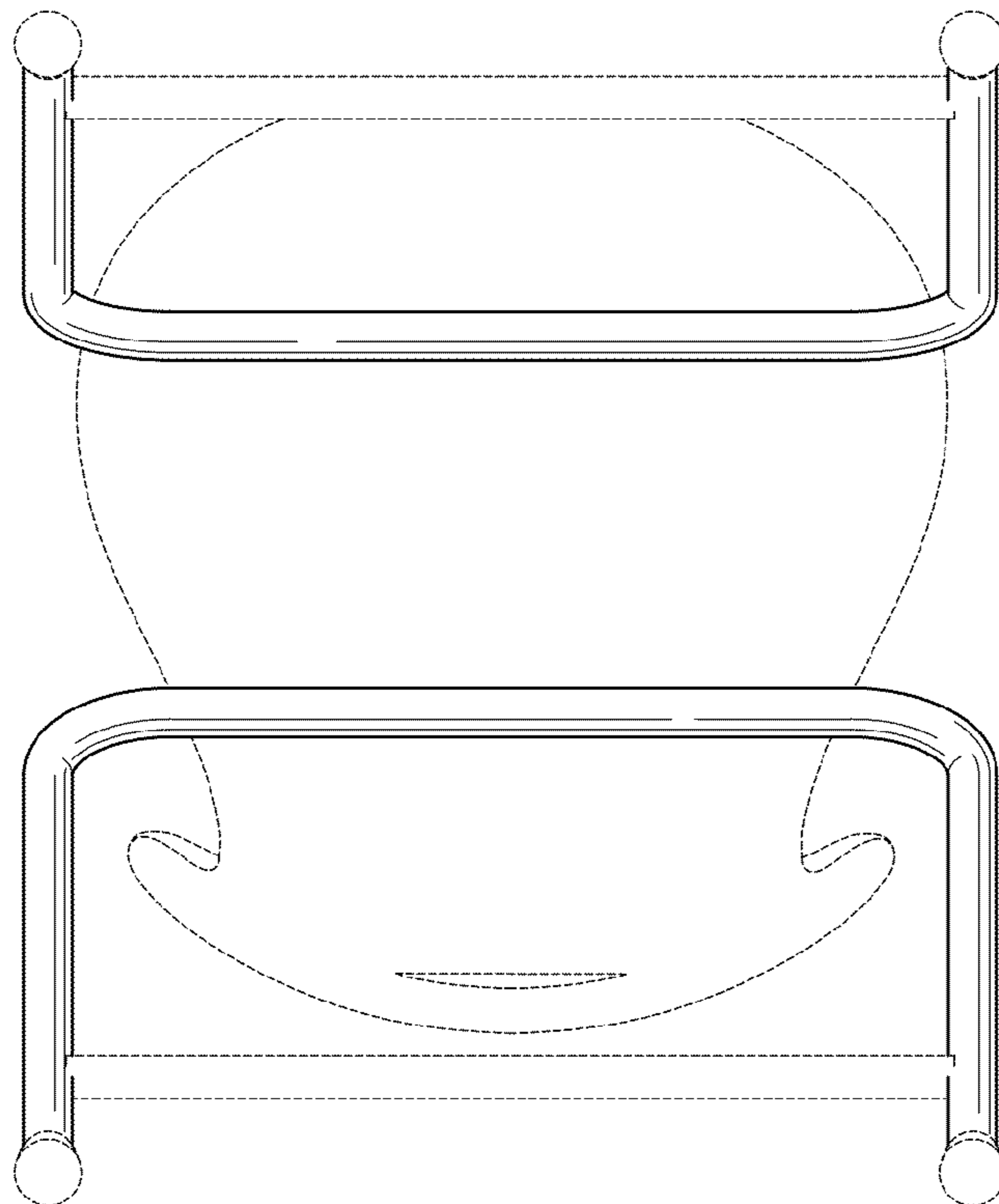
*FIG. 2*



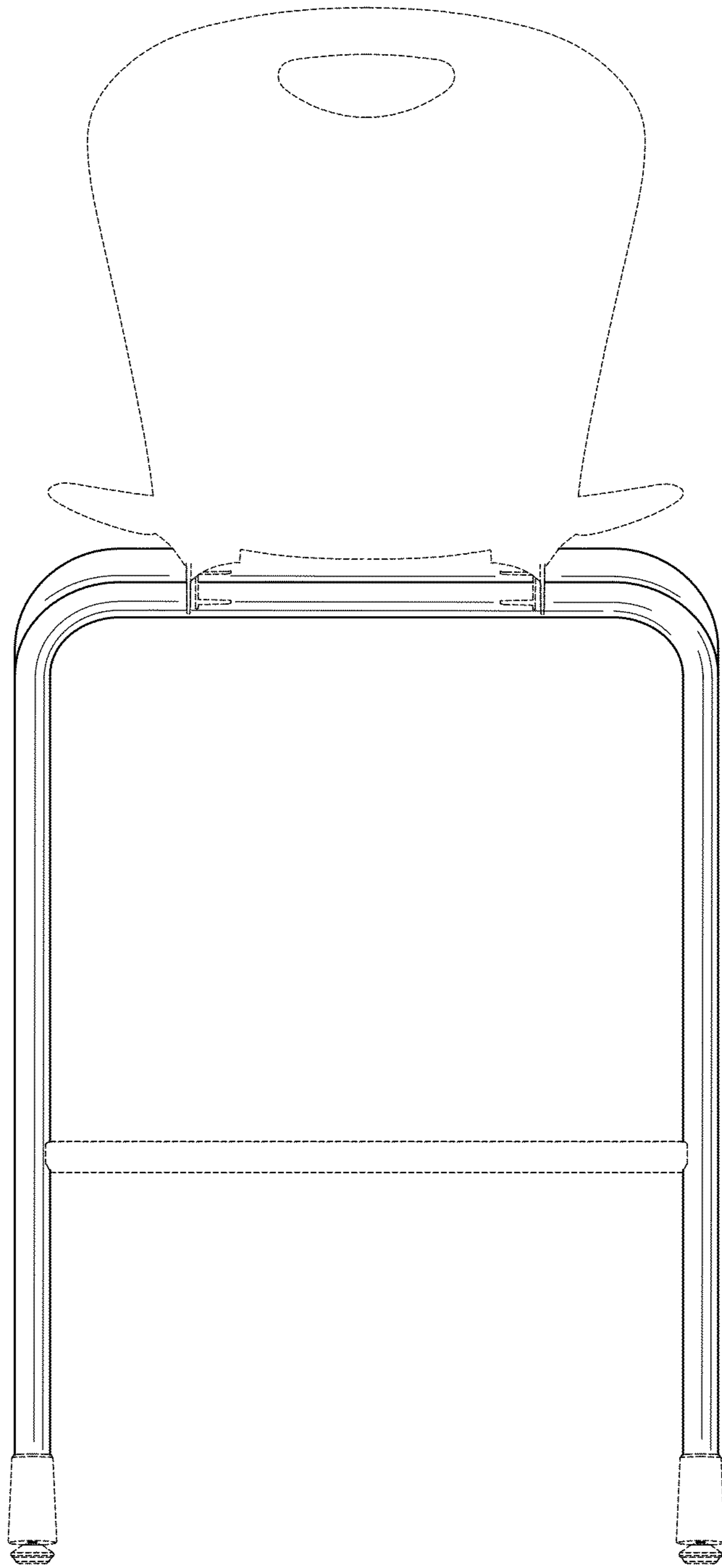
*FIG. 3*



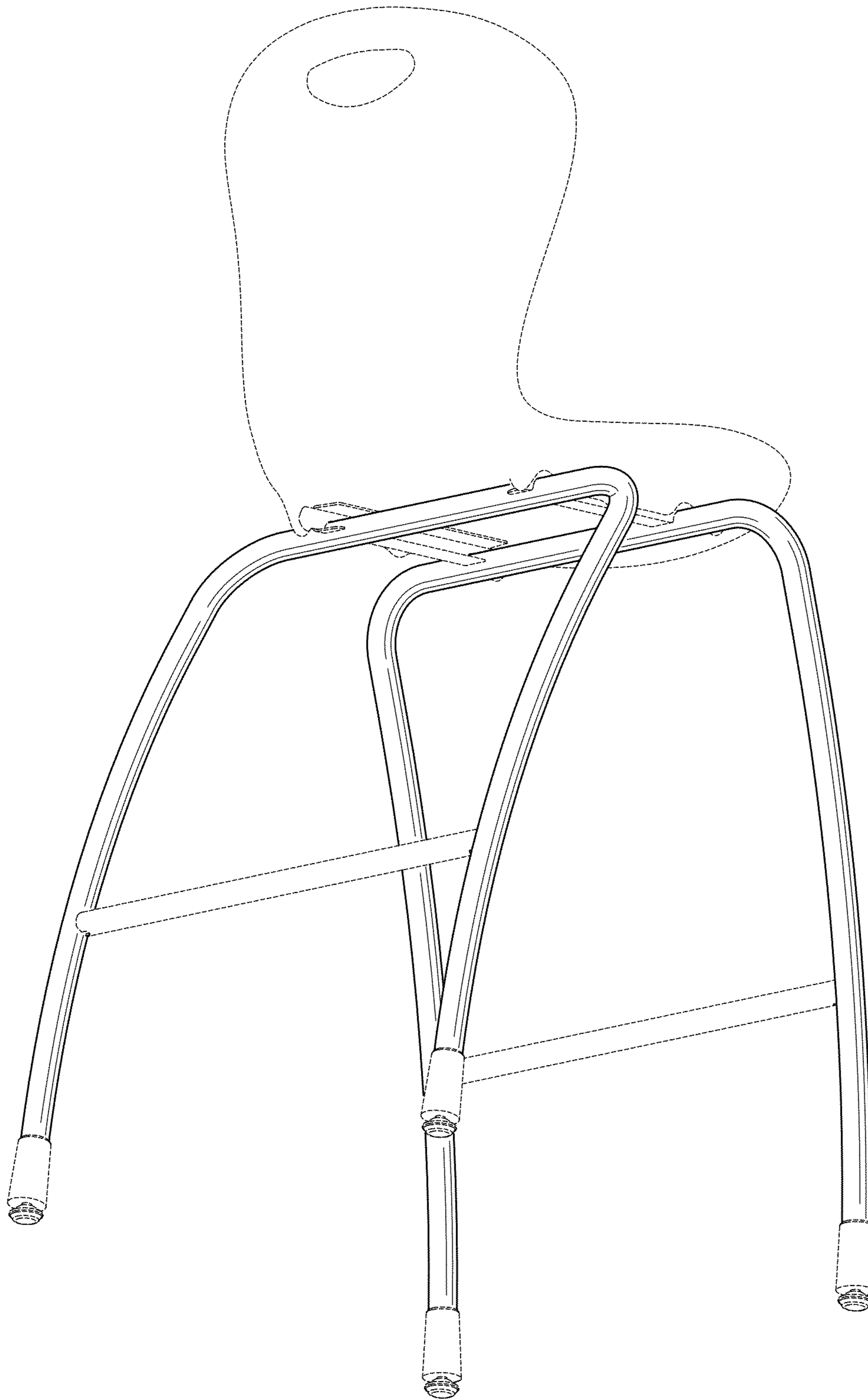
*FIG. 4*



*FIG. 5*



*FIG. 6*



*FIG. 7*