



US00D686858S

(12) **United States Design Patent**
Fletcher

(10) **Patent No.:** **US D686,858 S**
(45) **Date of Patent:** **** Jul. 30, 2013**

- (54) **CHAIR WITH CURVED LEGS AND BACK SUPPORT**
- (75) Inventor: **Scott Fletcher**, Redondo Beach, CA (US)
- (73) Assignee: **Virco Mfg. Corporation**, Torrance, CA (US)
- (**) Term: **14 Years**
- (21) Appl. No.: **29/414,864**
- (22) Filed: **Mar. 5, 2012**
- (51) **LOC (9) Cl.** **06-01**
- (52) **U.S. Cl.**
USPC **D6/716**
- (58) **Field of Classification Search**
USPC D6/334-336, 360, 371-373, 374, D6/375, 376, 379, 380, 716, 716.1, 716.2, D6/716.3, 716.4; 297/239, 296, 445.1, 446.1, 297/447.1, 447.2, 451.1, 452.2
See application file for complete search history.

(56) **References Cited**

U.S. PATENT DOCUMENTS

D181,241	S	*	10/1957	Swanson	D6/374
2,847,062	A	*	8/1958	Henrikson et al.	297/452.2
2,970,635	A	*	2/1961	Fields	297/239
3,276,818	A	*	10/1966	Durfree et al.	297/451.1
4,002,369	A		1/1977	Jennings		
D470,320	S		2/2003	Schloss		
D471,730	S		3/2003	Schloss		
D520,768	S	*	5/2006	Glass et al.	D6/374
D522,265	S		6/2006	Glass		

OTHER PUBLICATIONS

U.S. Appl. No. 29/414,861, filed Mar. 5, 2012, Fletcher.

U.S. Appl. No. 29/414,866, filed Mar. 5, 2012, Fletcher.
 U.S. Appl. No. 29/414,869, filed Mar. 5, 2012, Fletcher.
 Canadian Office Action dated Jan. 21, 2013 for CA Application No. 146903, titled "Chair with Curved Legs" (4 pages).
 Canadian Office Action dated Jan. 21, 2013 for CA Application No. 146900, titled "Chair with Curved Legs and Back Support" (2 pages).
 Canadian Office Action dated Jan. 21, 2013 for CA Application No. 146901, titled "Chair with Curved Legs" (4 pages).
 Canadian Office Action dated Jan. 21, 2013 for CA Application No. 146902, titled "Chair with Curved Legs and Back Support" (2 pages).

* cited by examiner

Primary Examiner — Mimoso De

(74) *Attorney, Agent, or Firm* — Sheldon Mak & Anderson PC; Denton L. Anderson; Robert Hupe

(57) **CLAIM**

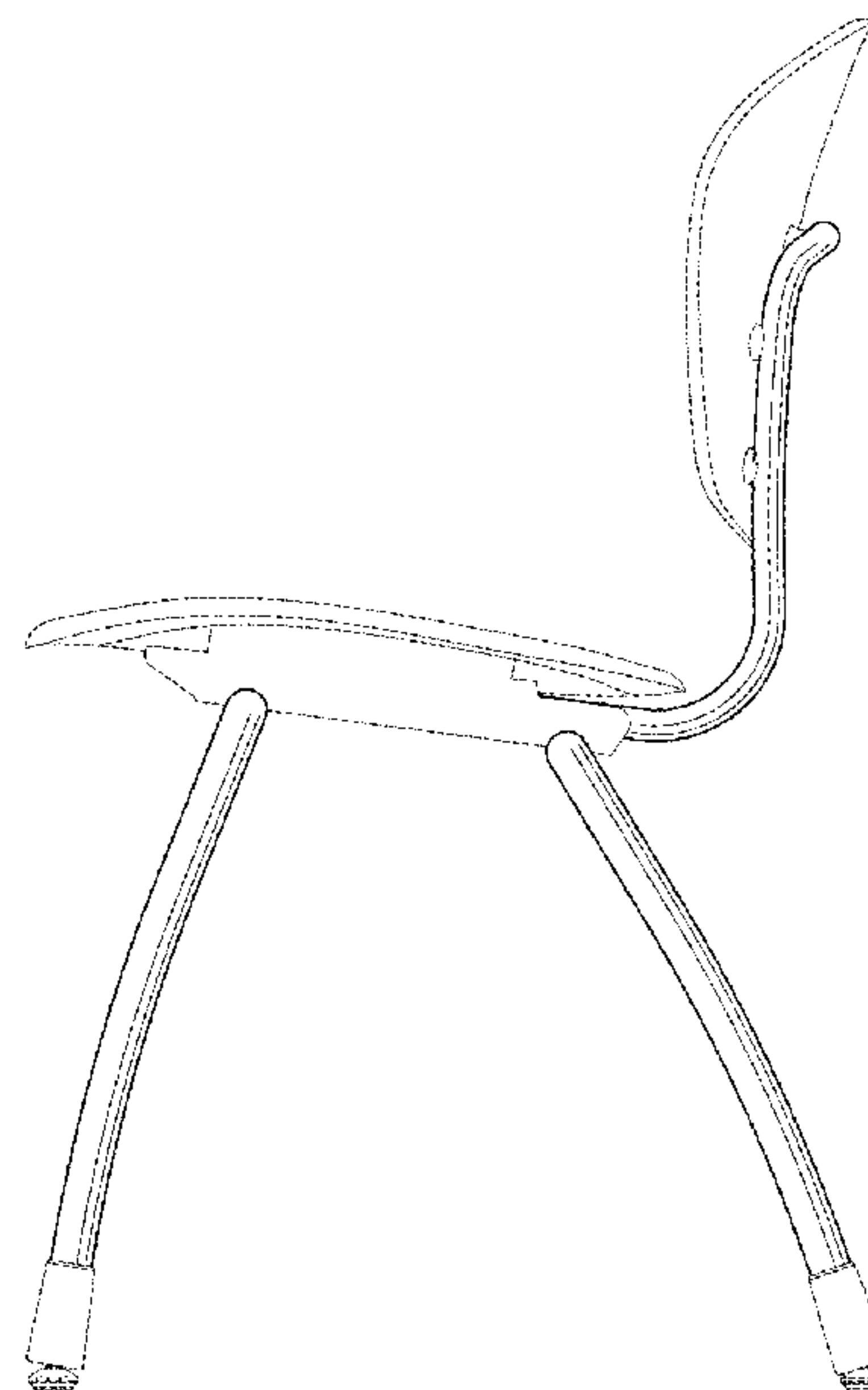
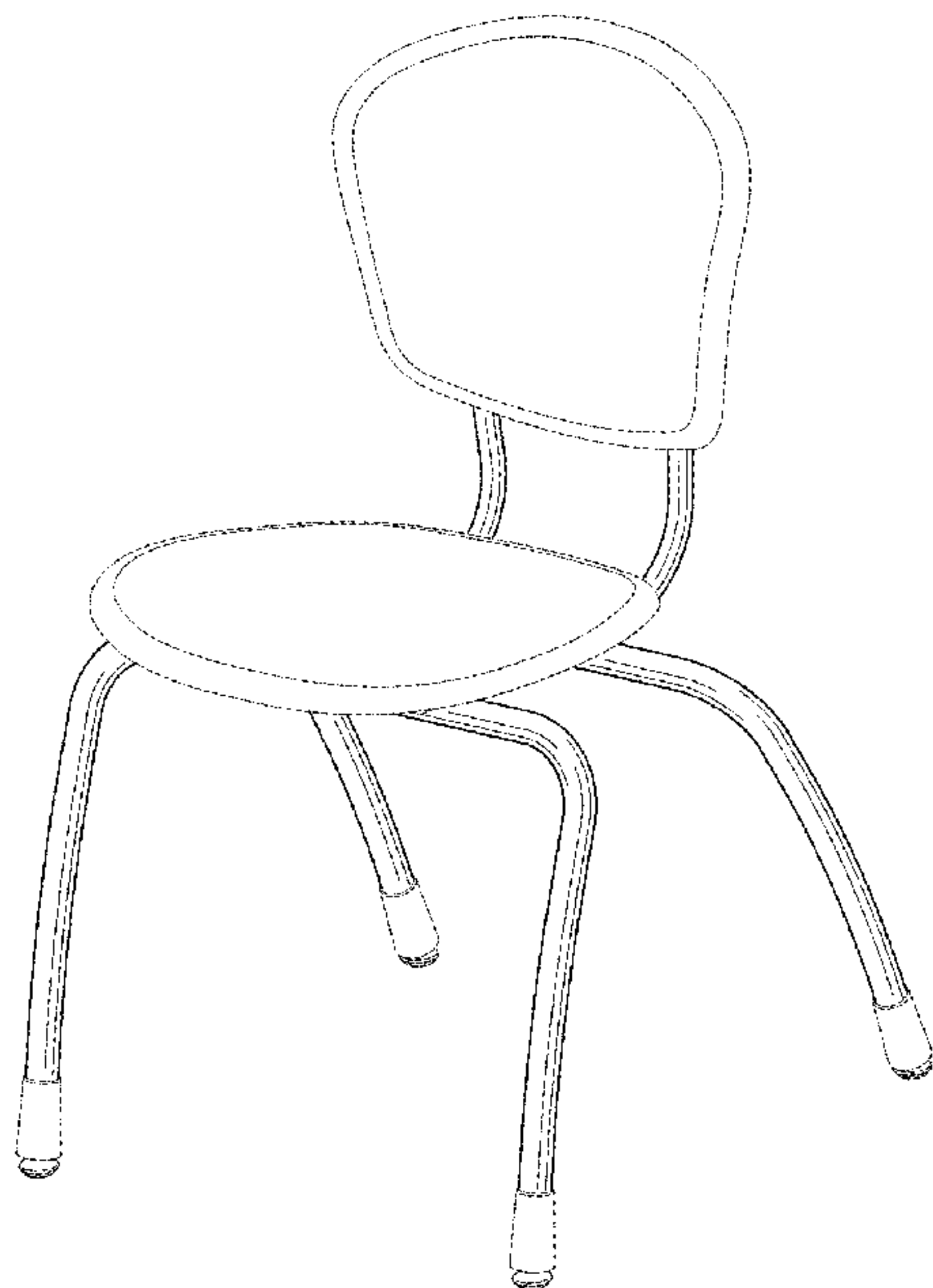
The ornamental design of a chair with curved legs and back support, as shown and described.

DESCRIPTION

FIG. 1 is a first perspective view of a chair with curved legs and back support, showing my design, the broken lines are for environmental purposes only and form no part of the claimed design;

FIG. 2 is a front view of the chair illustrated in FIG. 1;
 FIG. 3 is a side view of the chair illustrated in FIG. 1, the opposite side of the chair being identical;
 FIG. 4 is a top view of the chair illustrated in FIG. 1;
 FIG. 5 is a bottom view of the chair illustrated in FIG. 1;
 FIG. 6 is a rear view of the chair illustrated in FIG. 1; and,
 FIG. 7 is a second perspective view of the chair illustrated in FIG. 1.

1 Claim, 5 Drawing Sheets



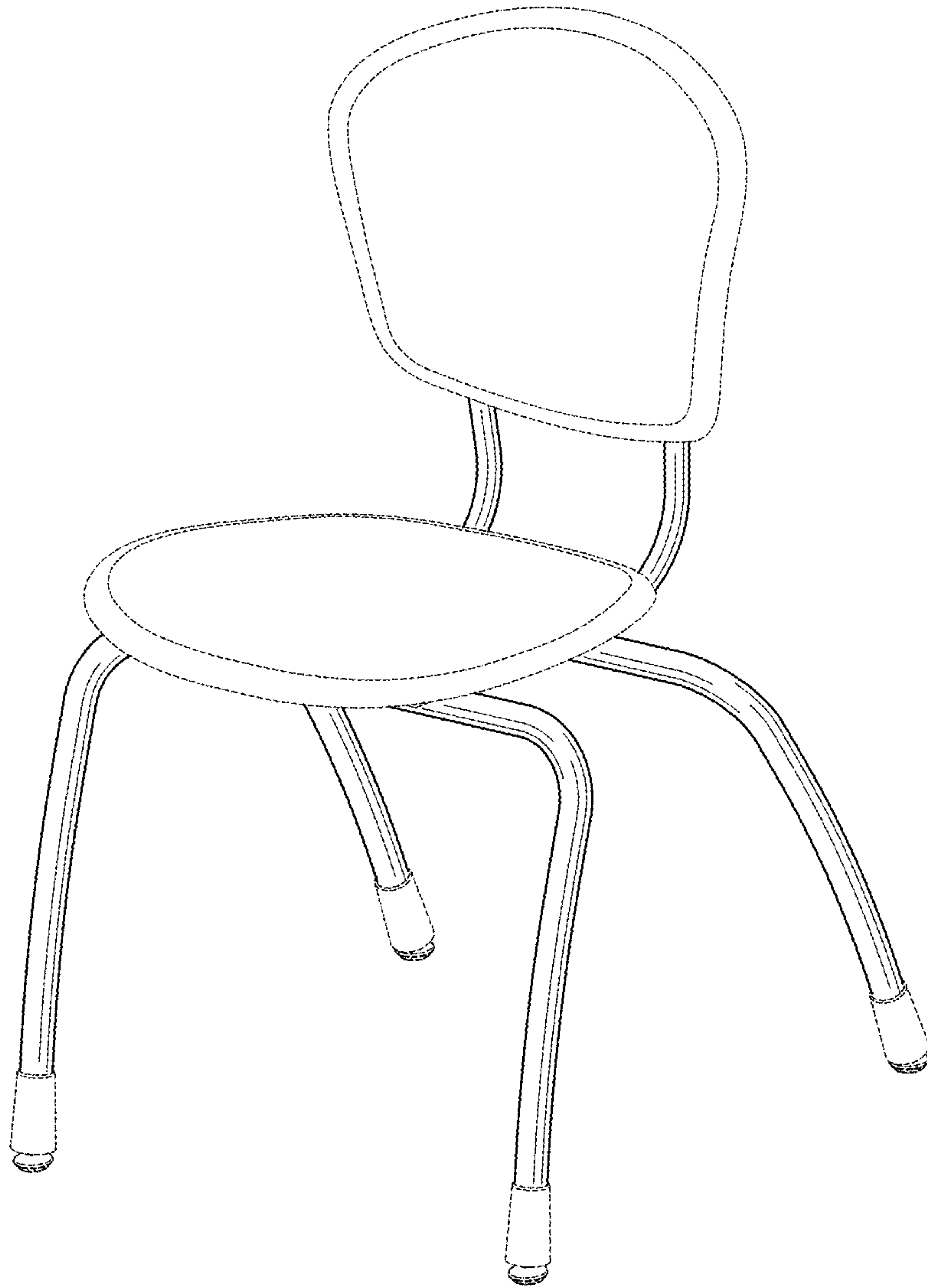


FIG. 1

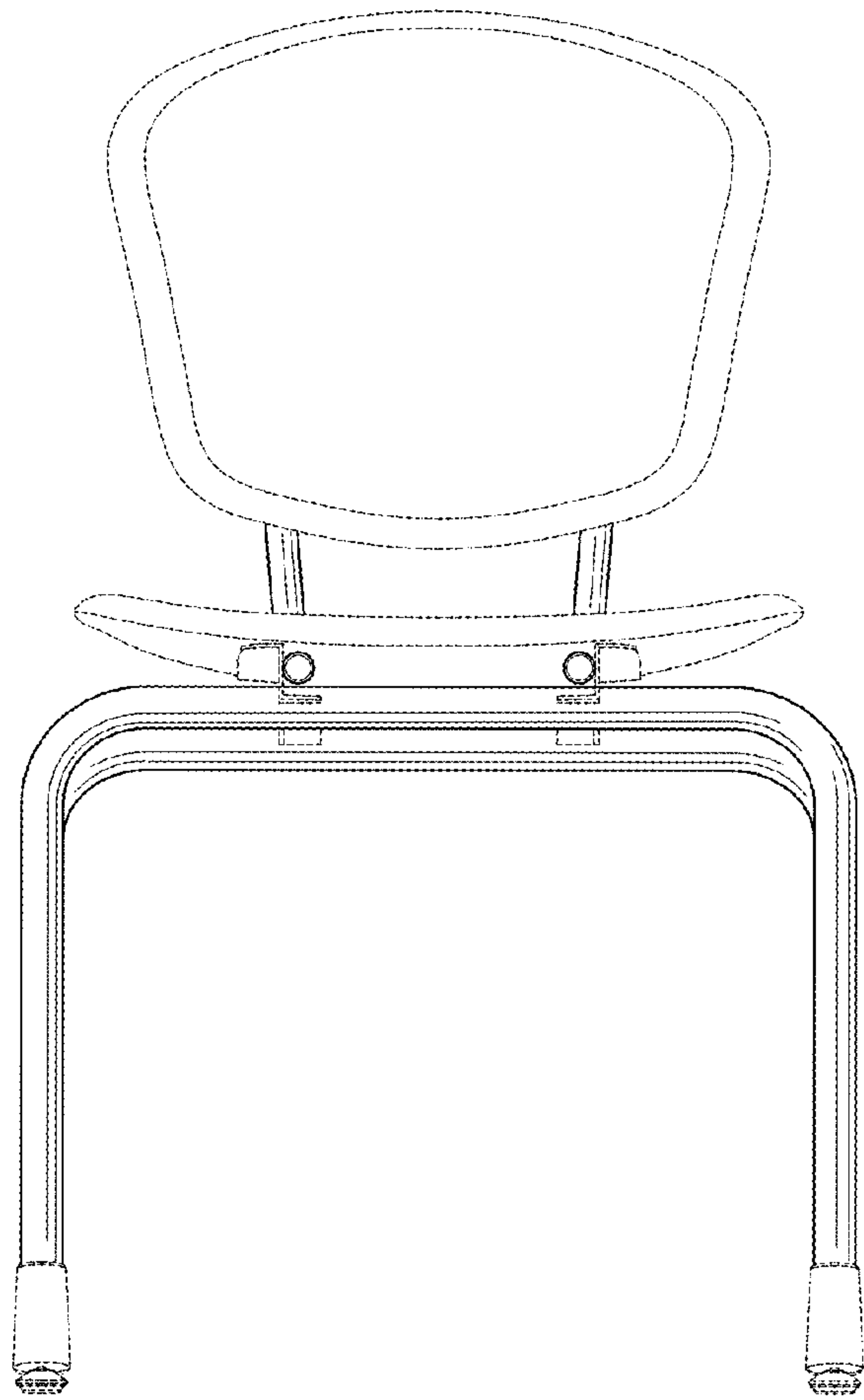
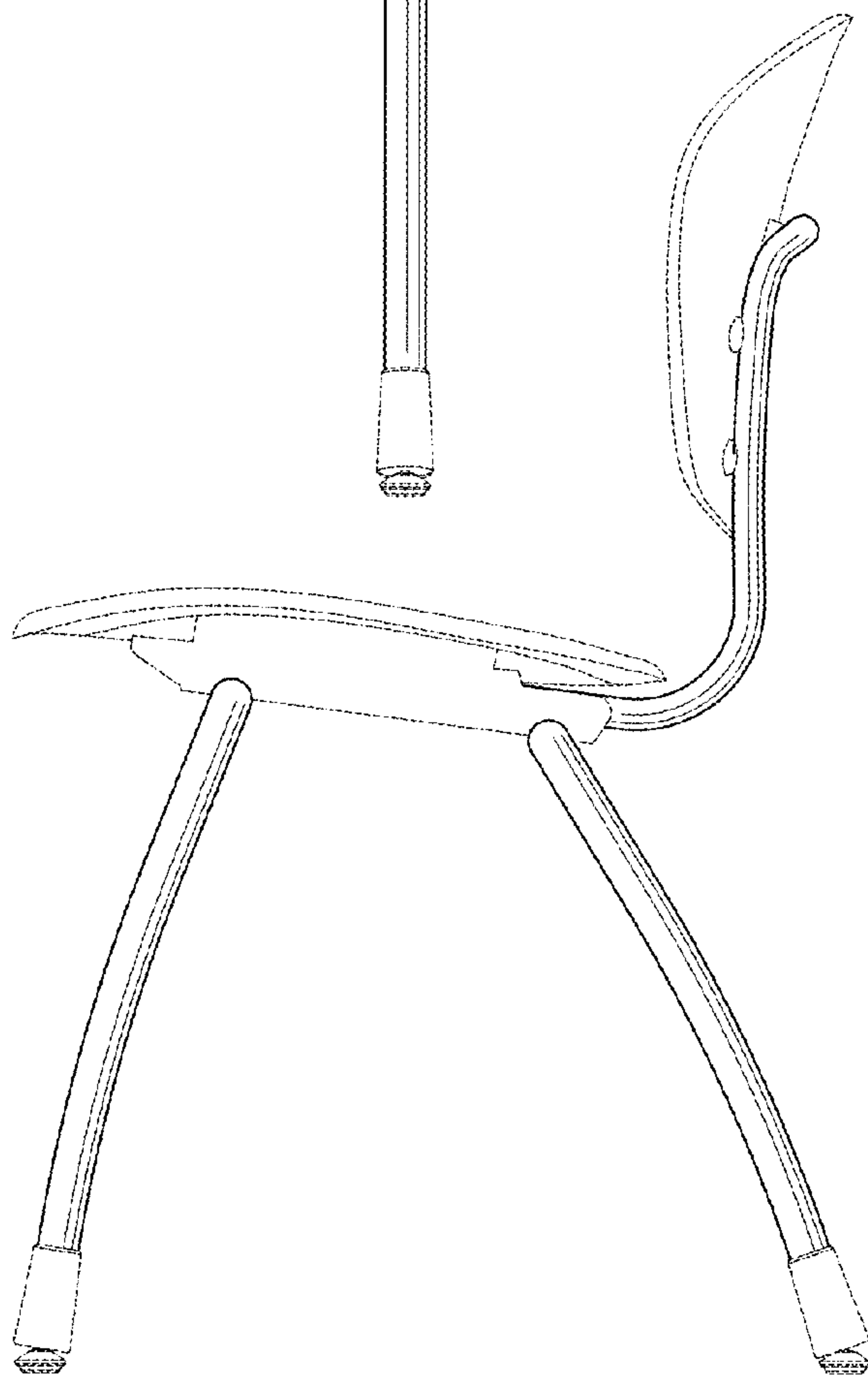


FIG. 2

FIG. 3



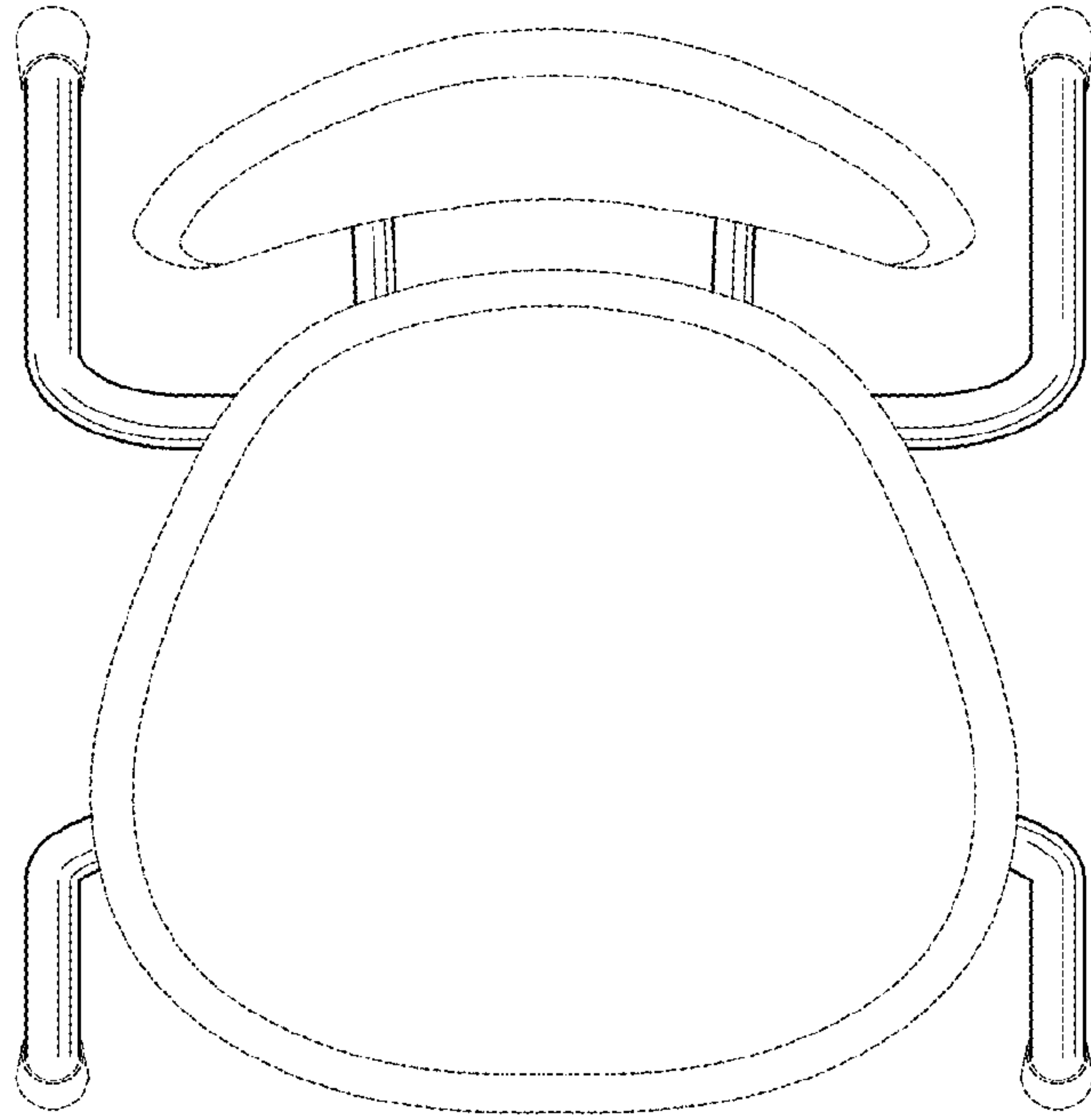


FIG. 4

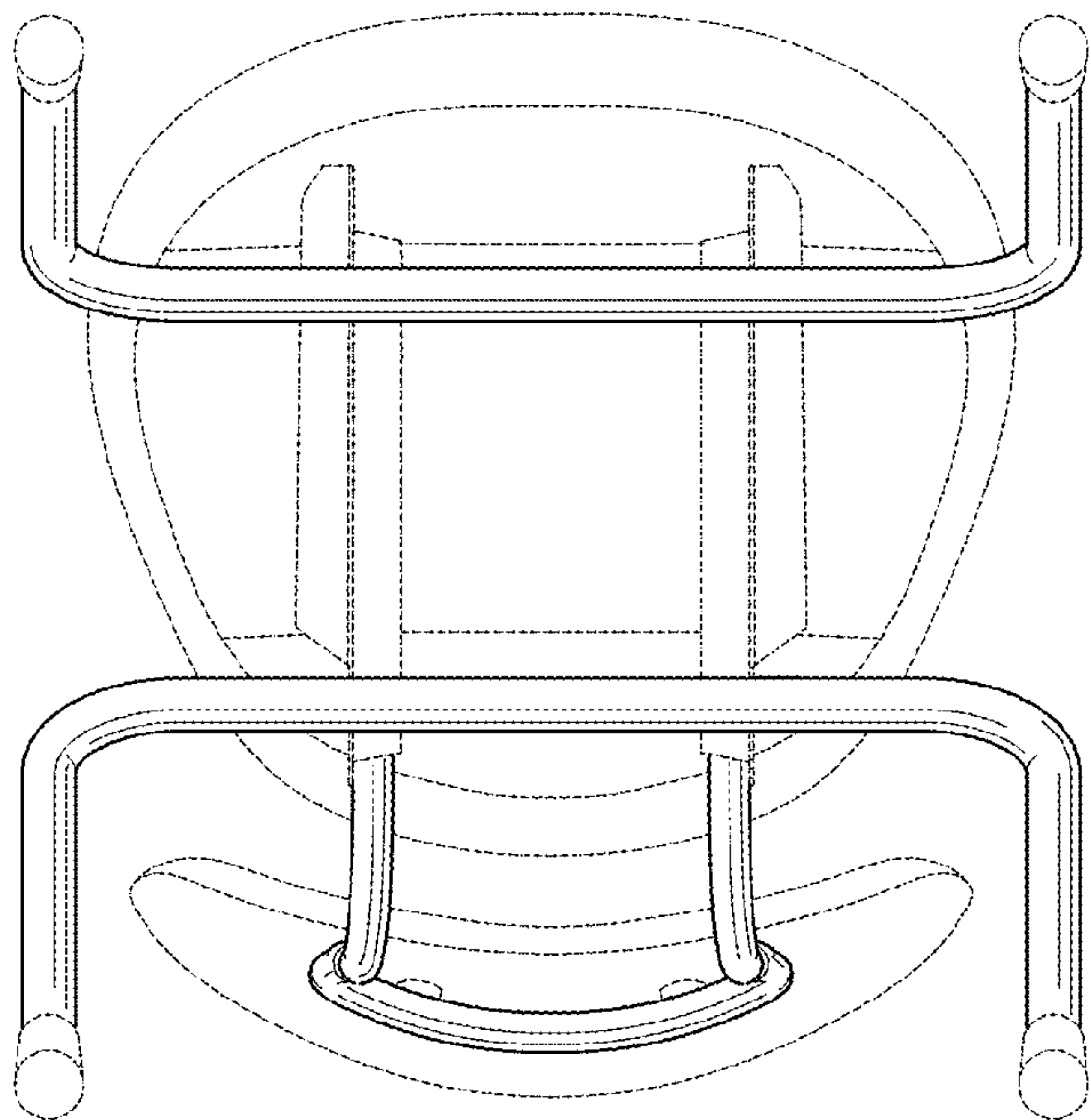


FIG. 5

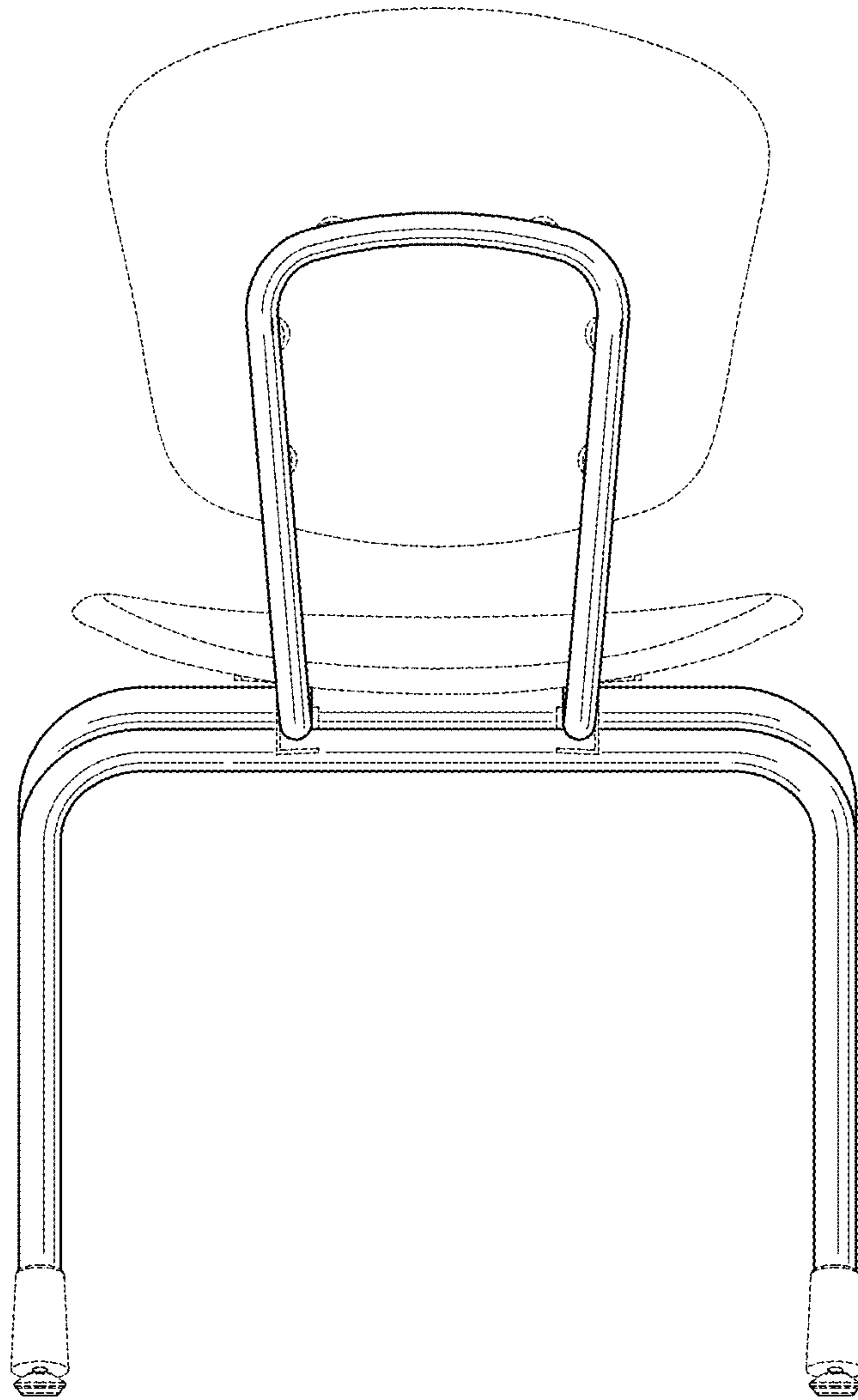


FIG. 6

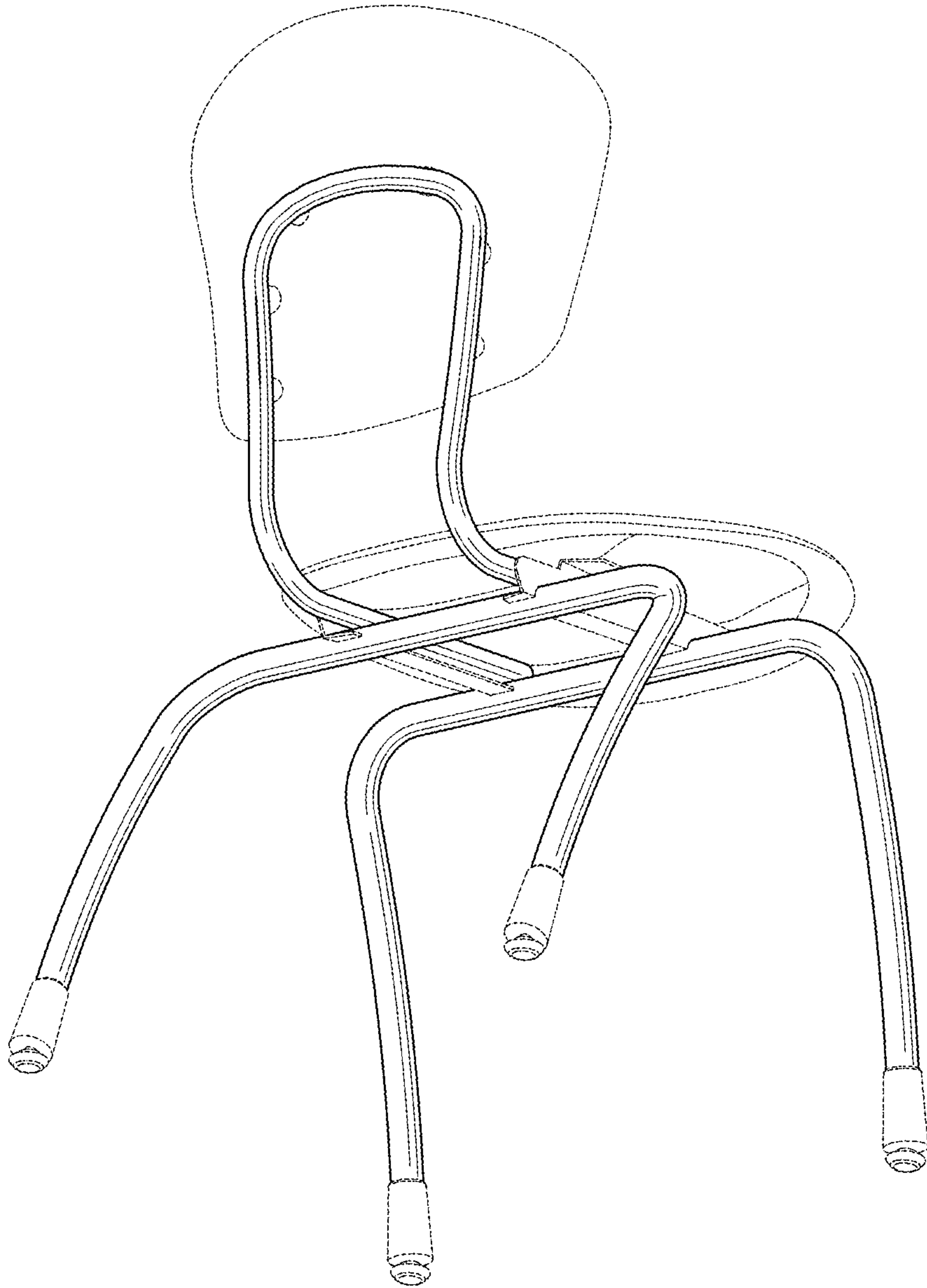


FIG. 7