



US00D686855S

(12) **United States Design Patent**
James

(10) **Patent No.:** **US D686,855 S**
(45) **Date of Patent:** **** Jul. 30, 2013**

(54) **TABLE**

D509,683 S * 9/2005 Mohundro D6/480
D513,676 S * 1/2006 Vaaler D6/480

(75) Inventor: **Gary W. James**, Dove Canyon, CA (US)

* cited by examiner

(73) Assignee: **Standard Furniture Manufacturing Co., Inc.**, Bay Minette, AL (US)

Primary Examiner — Janice Seeger

(**) Term: **14 Years**

(57) **CLAIM**

I claim the ornamental design for a table, as shown and described.

(21) Appl. No.: **29/416,249**

DESCRIPTION

(22) Filed: **Mar. 20, 2012**

(51) **LOC (9) Cl.** **06-03**

(52) **U.S. Cl.**
USPC **D6/691.1**

(58) **Field of Classification Search**
USPC D6/480–489, 495, 496, 499, 511,
D6/668.2, 707.19, 707.22, 708.16, 708.17,
D6/708.2, 708.23; 108/150, 153.1, 155, 157,
108/161, 25, 50.12; 248/188, 188.1, 188.7,
248/188.8

See application file for complete search history.

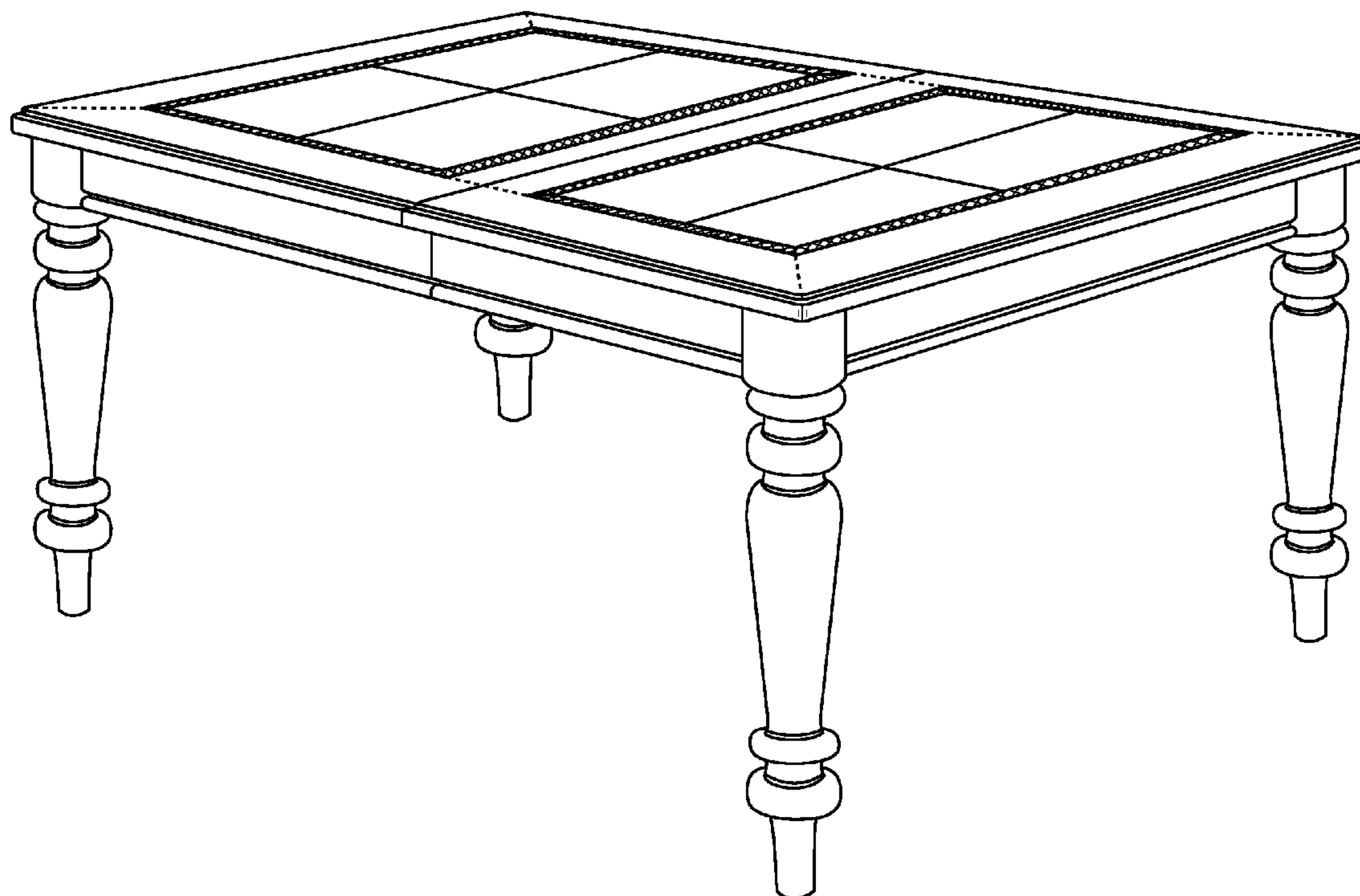
FIG. 1 is a perspective view of a table showing the claimed design;
FIG. 2 is a front side view of the design of the table shown in FIG. 1, which is also representative of the back side view due to the symmetry of the design;
FIG. 3 is a left side view of the design of the table shown in FIG. 1, which is also representative of the right side view due to the symmetry of the design;
FIG. 4 is a top view of the design of the table shown in FIG. 1;
FIG. 5 is a bottom view of the design of the table shown in FIG. 1; and,
FIG. 6 is a partial top view of the design of the table shown in FIGS. 1 and 4 illustrating details of the border design that are not readily visible in FIGS. 1 and 4.
The broken lines in the drawings are for illustrative purposes only and form no part of the claimed design.

(56) **References Cited**

U.S. PATENT DOCUMENTS

D63,357 S * 11/1923 Clarke D6/511
D355,800 S * 2/1995 Ward D6/484
D465,111 S * 11/2002 McDaniel et al. D6/480

1 Claim, 5 Drawing Sheets



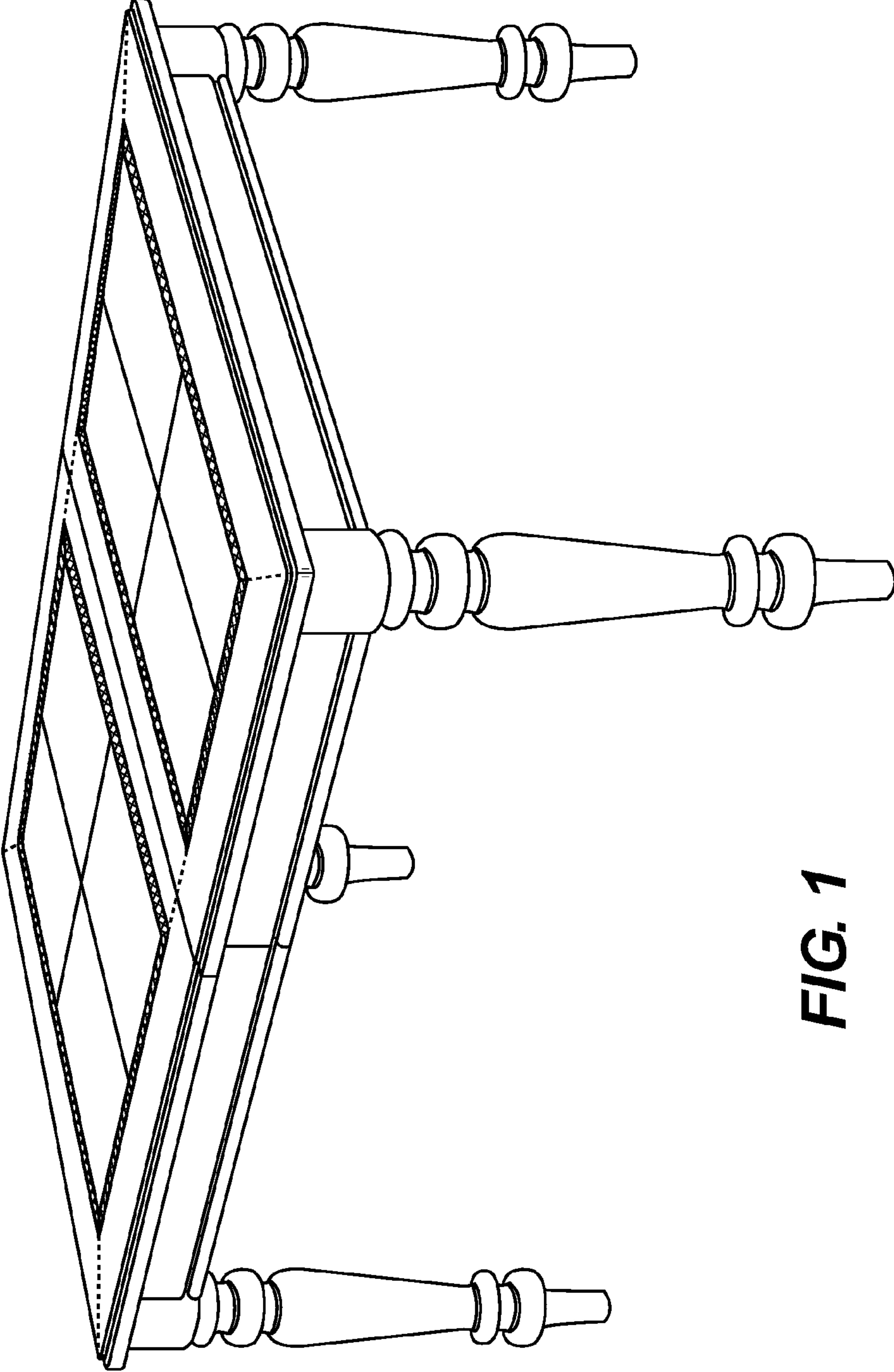


FIG. 1

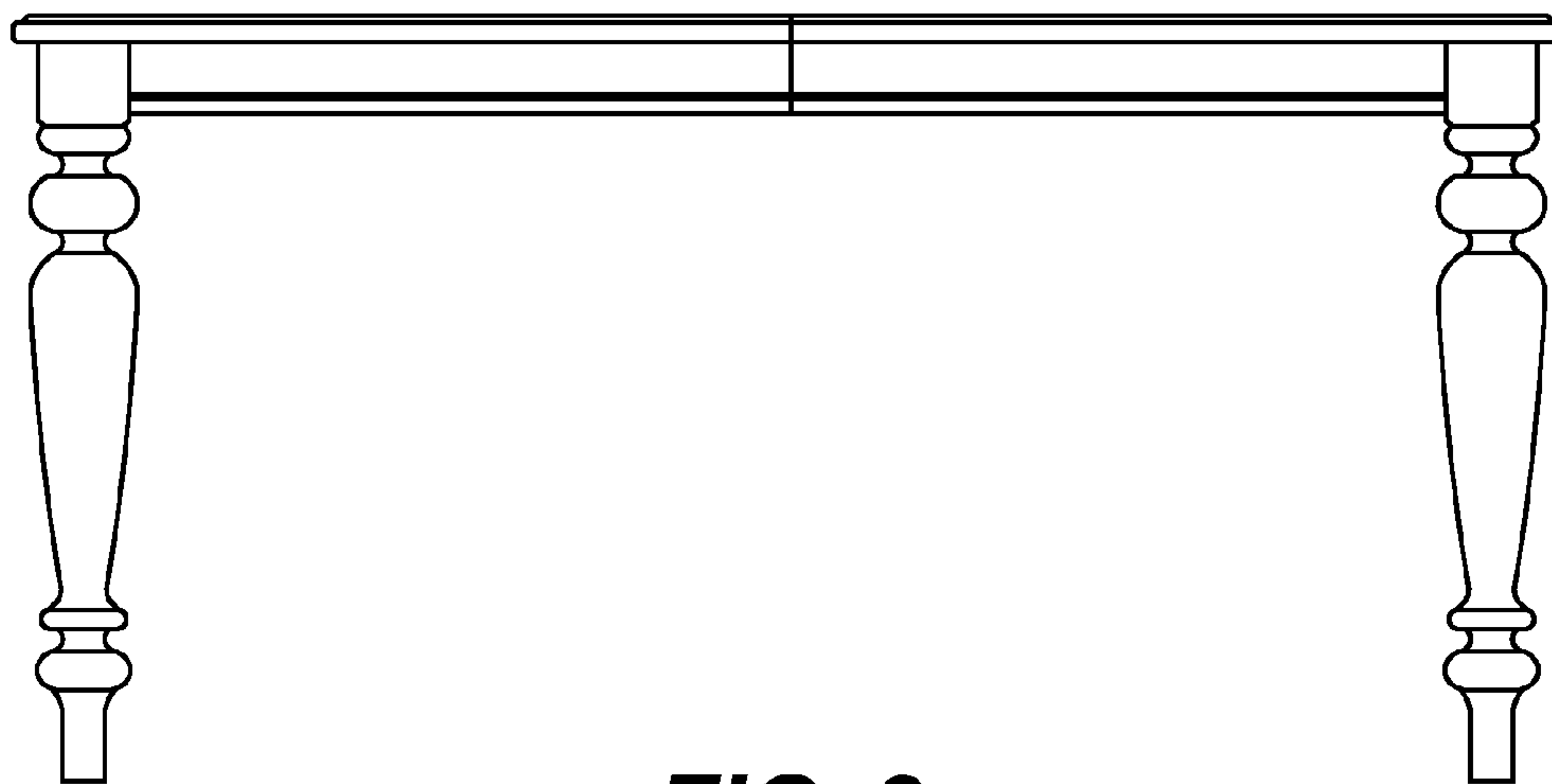


FIG. 2

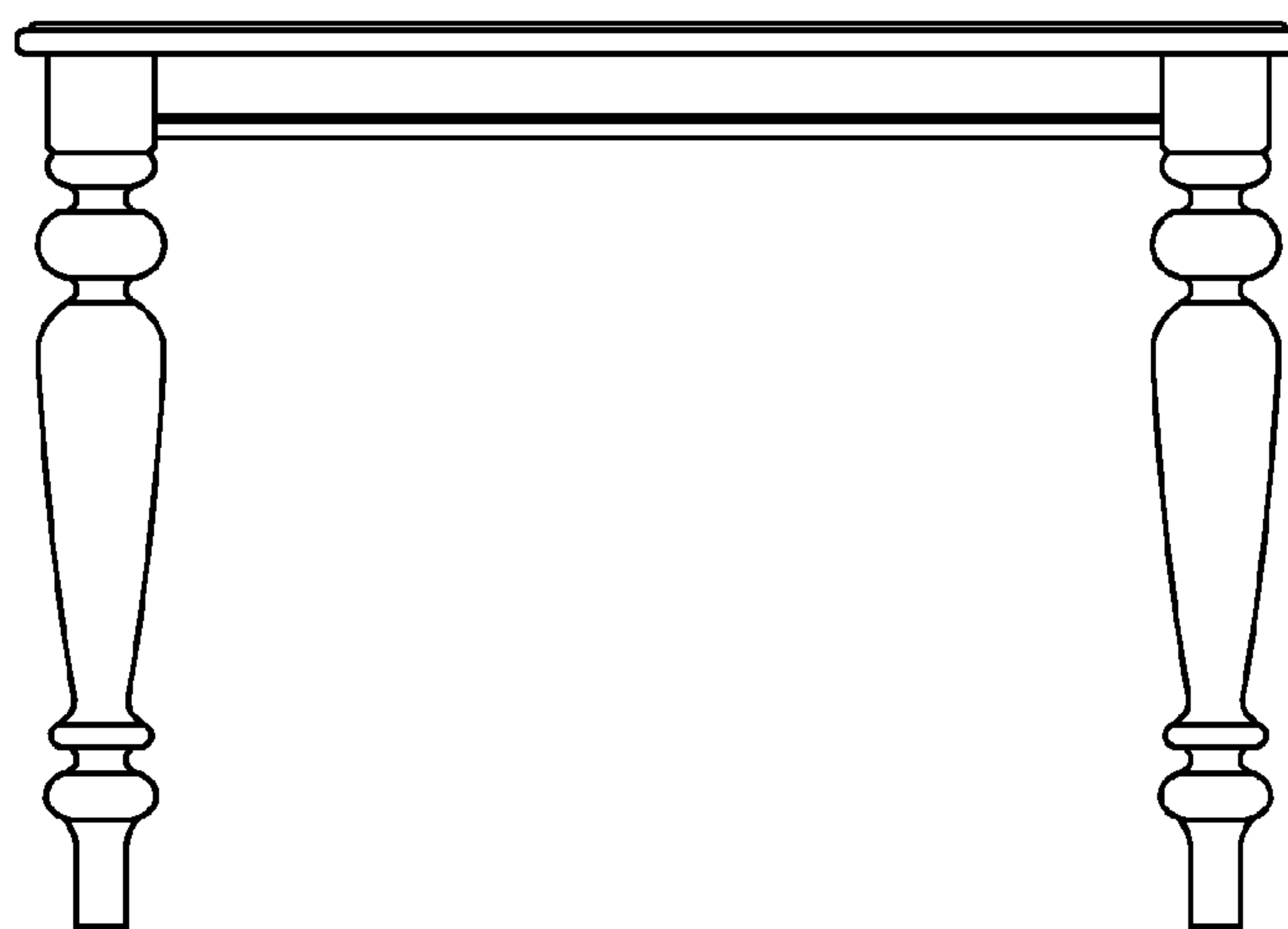


FIG. 3

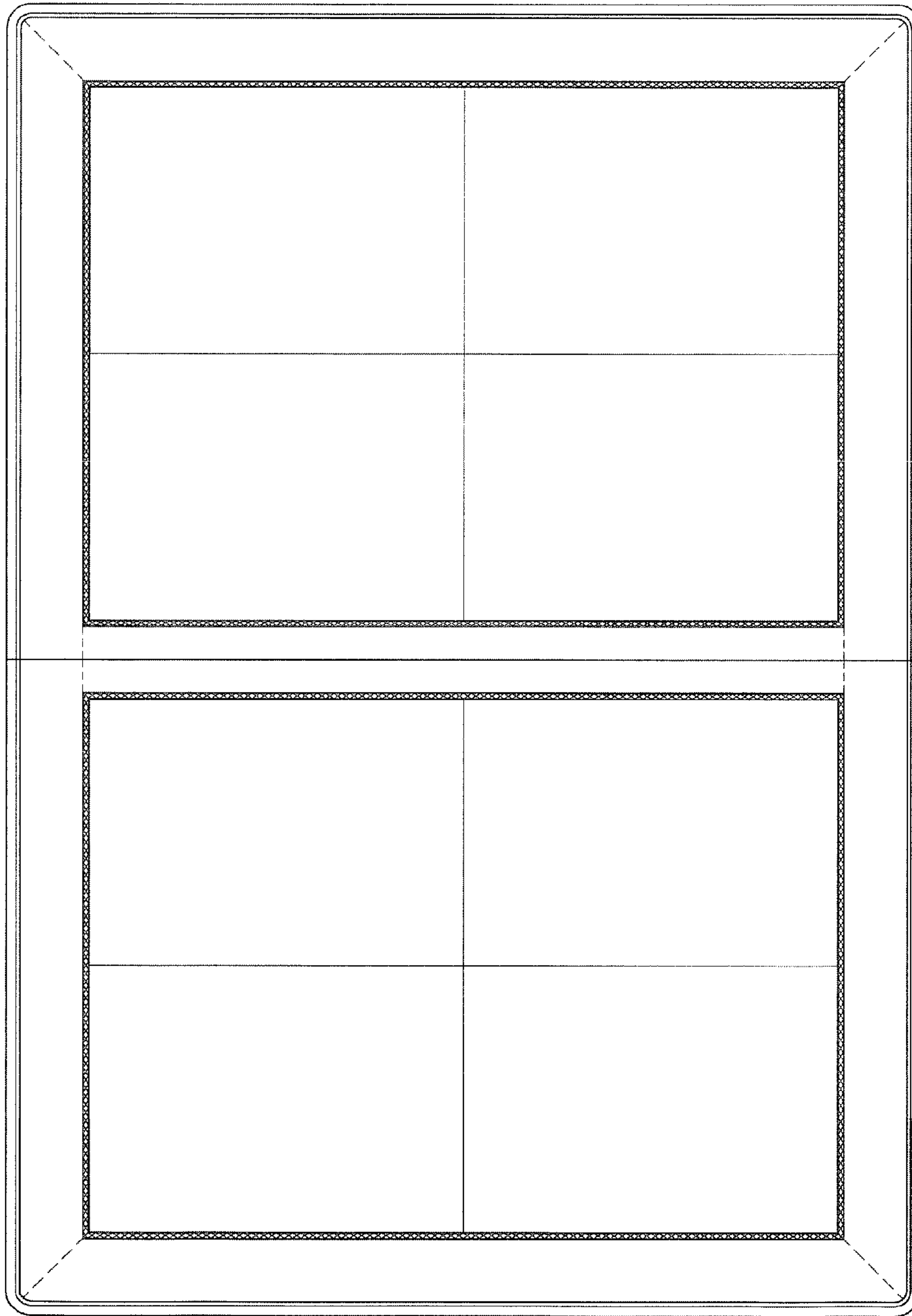


FIG. 4

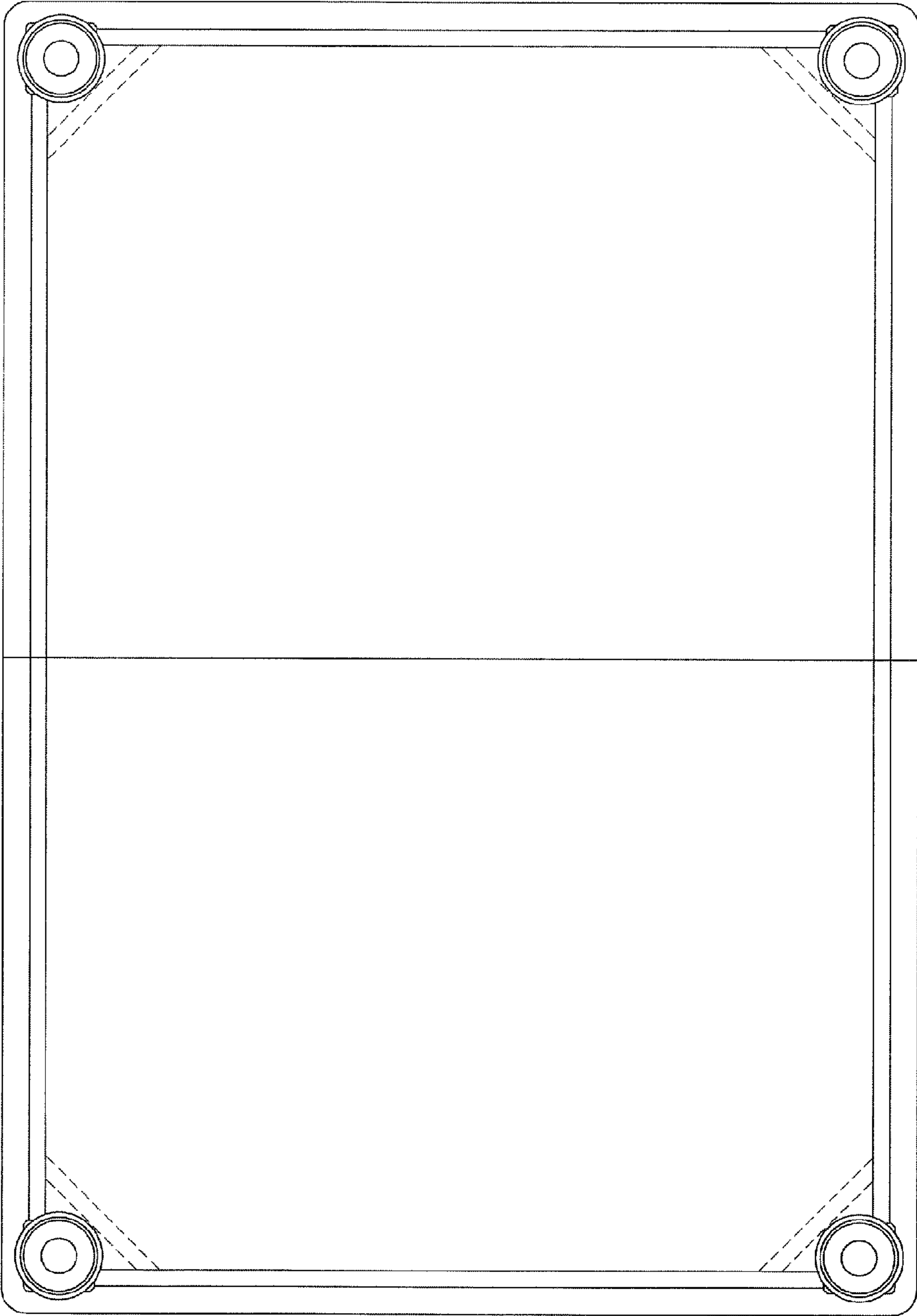


FIG. 5

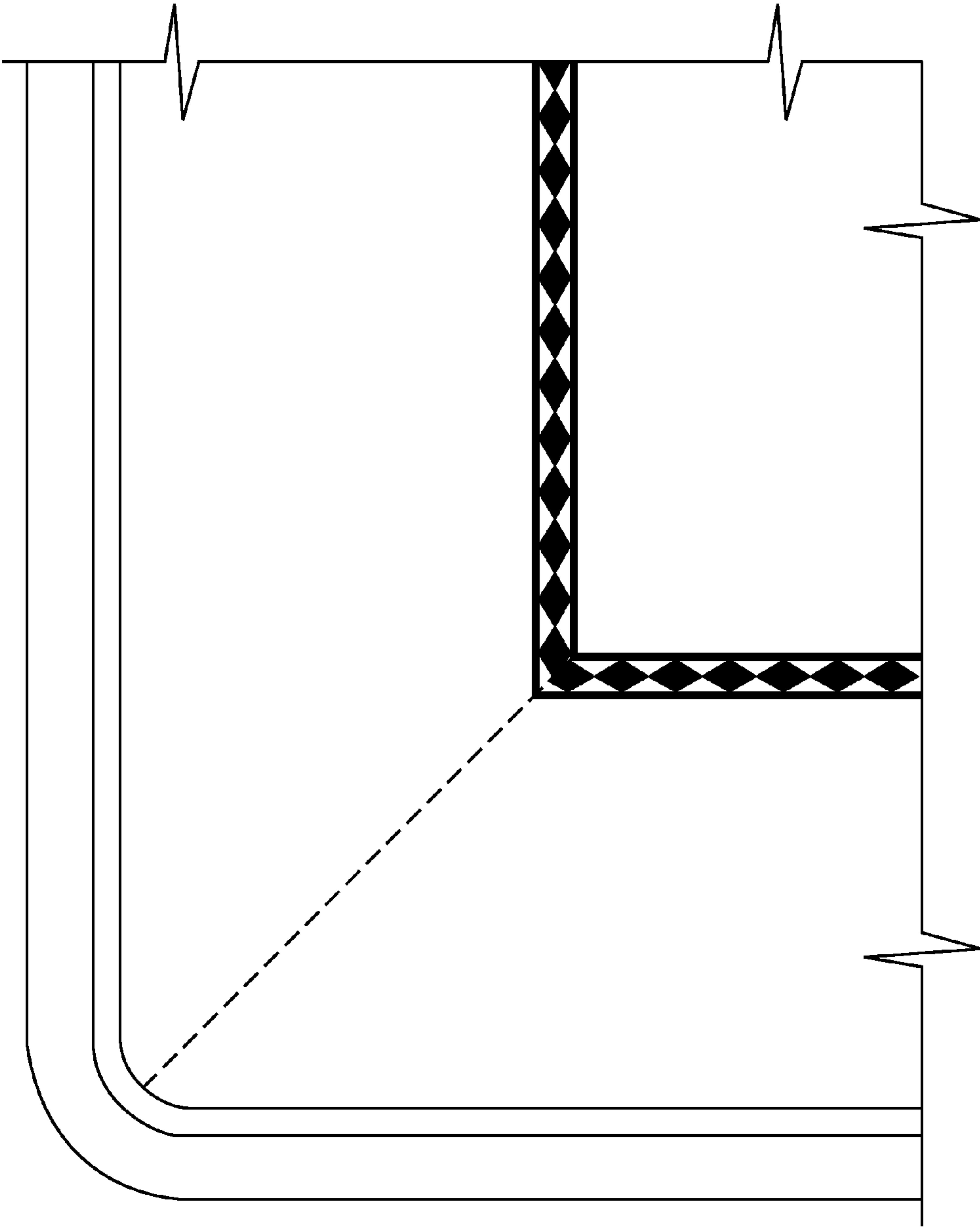


FIG. 6