



US00D686854S

(12) **United States Design Patent**
Wise

(10) **Patent No.:** **US D686,854 S**
(45) **Date of Patent:** **** Jul. 30, 2013**

- (54) **STREAMLINED WORK BENCH**
- (71) Applicant: **Robert W. Wise**, Penngrove, CA (US)
- (72) Inventor: **Robert W. Wise**, Penngrove, CA (US)
- (**) Term: **14 Years**
- (21) Appl. No.: **29/442,166**
- (22) Filed: **Dec. 24, 2012**
- (51) **LOC (9) Cl.** **06-04**
- (52) **U.S. Cl.**
USPC **D6/684**
- (58) **Field of Classification Search**
USPC D6/684, 400, 411; D15/141, 133; D34/12;
108/80, 102, 132, 12; 280/30, 38, 47.24,
280/47.25, 47.27, 47.33, 639, 641, 651, 652;
144/286.5, 287, 286.1, 285
See application file for complete search history.

D566,735	S	*	4/2008	Wise	D15/141
D571,121	S	*	6/2008	Radermacher	D6/400
D592,420	S	*	5/2009	Nankervis	D6/411
D614,887	S	*	5/2010	Reeves et al.	D6/397
2003/0024604	A1	*	2/2003	Derecktor	144/286.5
2004/0221923	A1	*	11/2004	Welsh et al.	144/287
2004/0250903	A1	*	12/2004	Welsh	144/286.5
2005/0006002	A1	*	1/2005	Barclay deTolly	144/286.5

* cited by examiner

Primary Examiner — Philip S Hyder

Assistant Examiner — Sydney Buffalow

(74) *Attorney, Agent, or Firm* — Lowe Graham Jones PLLC

(57) **CLAIM**

The ornamental design for a streamlined work bench, as shown and described.

DESCRIPTION

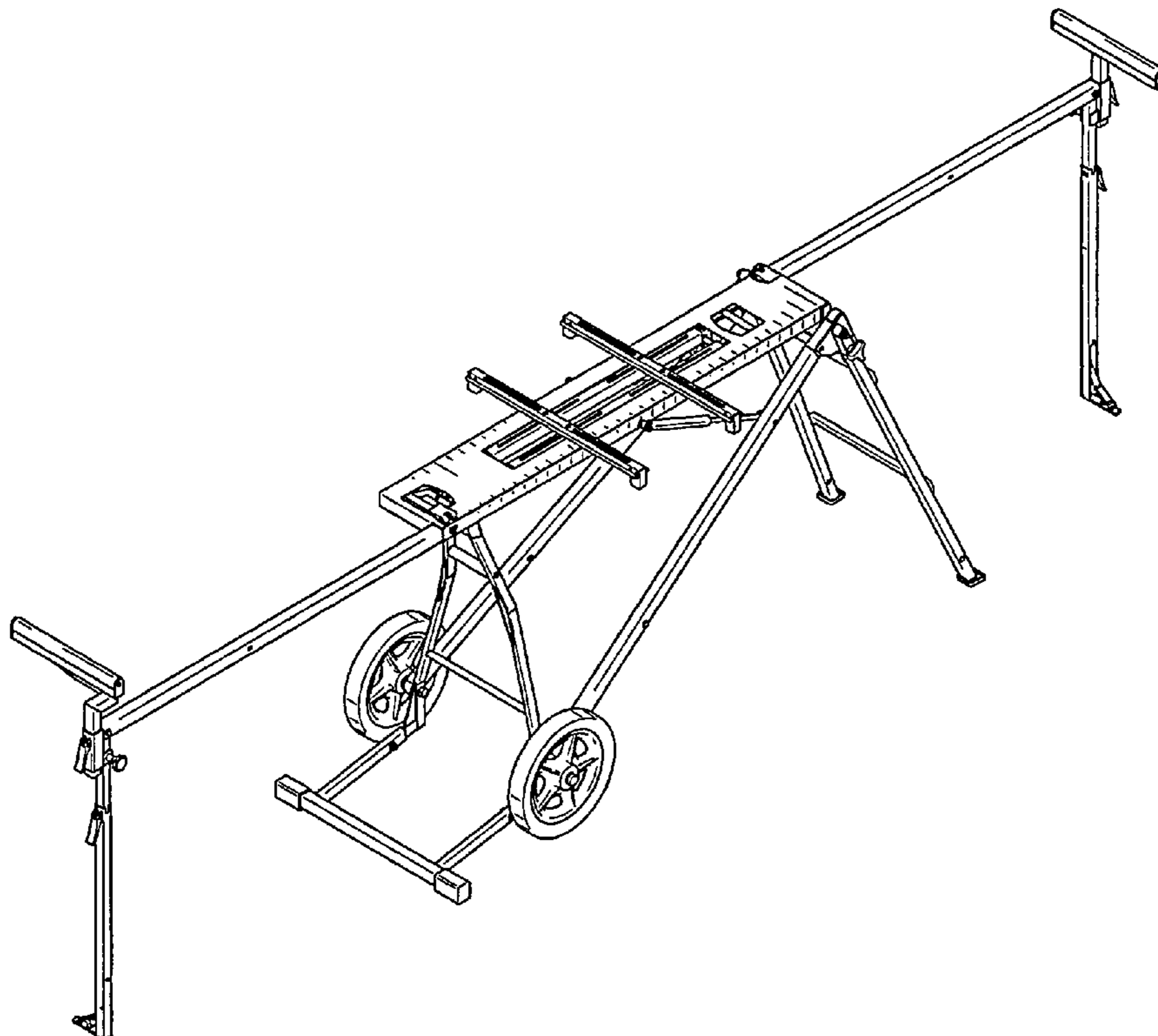
- FIG. 1 is a top front perspective view of a streamlined work bench showing my new design.
- FIG. 2 is a front view thereof in an open position.
- FIG. 3 is a top view thereof.
- FIG. 4 is a left view thereof.
- FIG. 5 is a right view thereof.
- FIG. 6 is a rear view thereof.
- FIG. 7 is a bottom view thereof; and,
- FIG. 8 is a top front perspective view in a closed position.

1 Claim, 7 Drawing Sheets

(56) **References Cited**

U.S. PATENT DOCUMENTS

D357,140	S	*	4/1995	Hollinger	D6/400
5,592,981	A	*	1/1997	Derecktor	144/286.1
5,836,365	A	*	11/1998	Derecktor	144/287
6,745,804	B2	*	6/2004	Welsh et al.	144/287
D527,200	S	*	8/2006	Wu	D6/400
7,222,648	B2	*	5/2007	Liu et al.	144/286.5



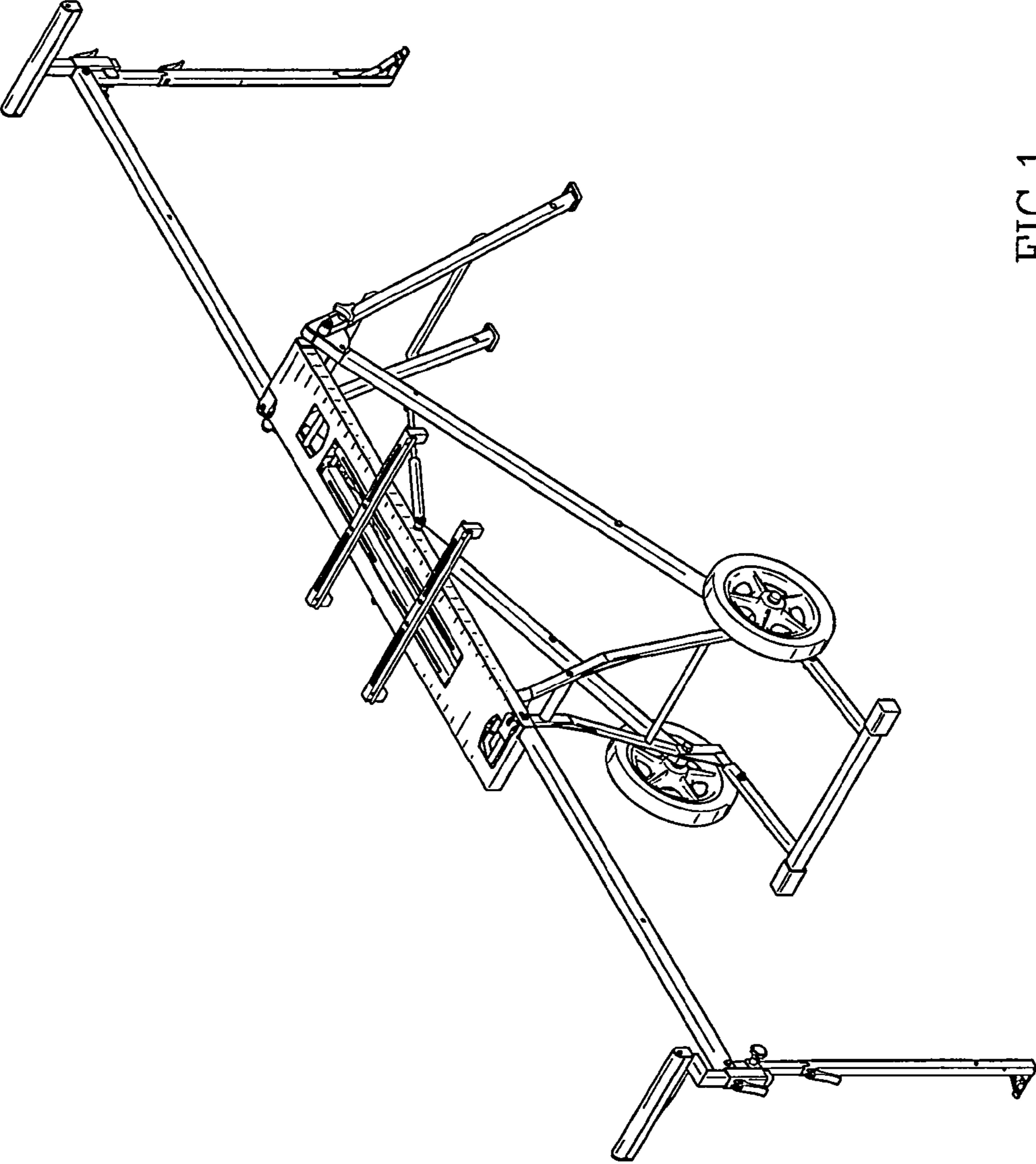


FIG.1

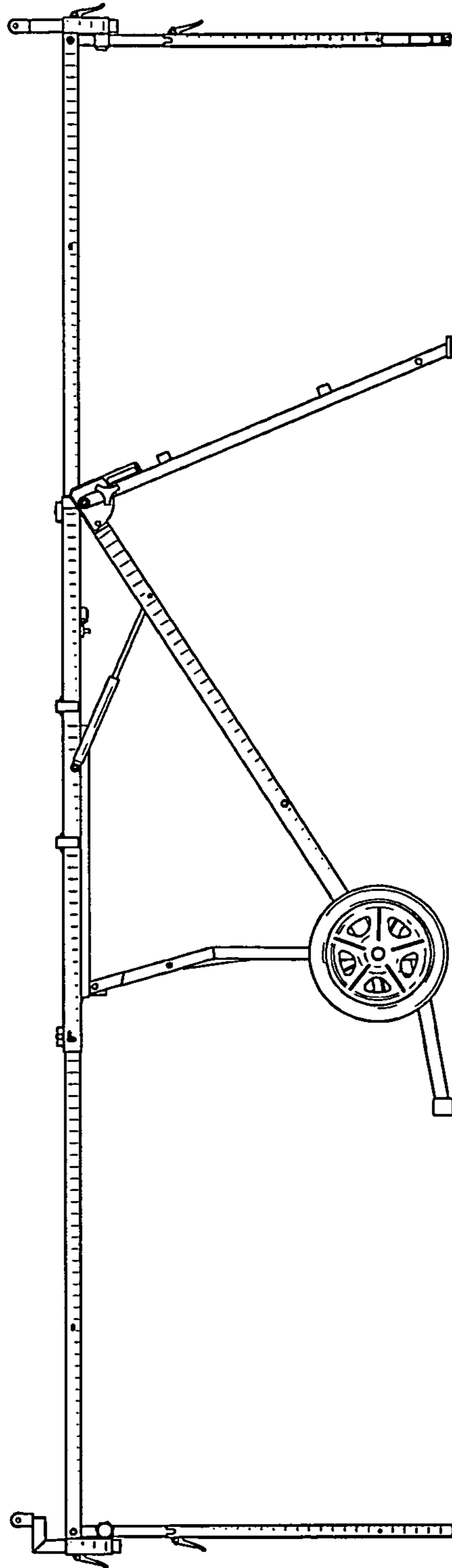


FIG.2

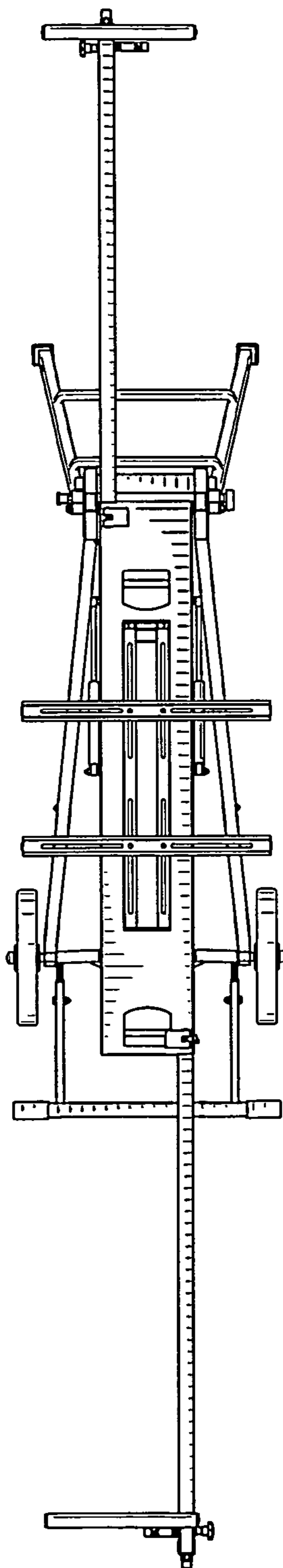


FIG. 3

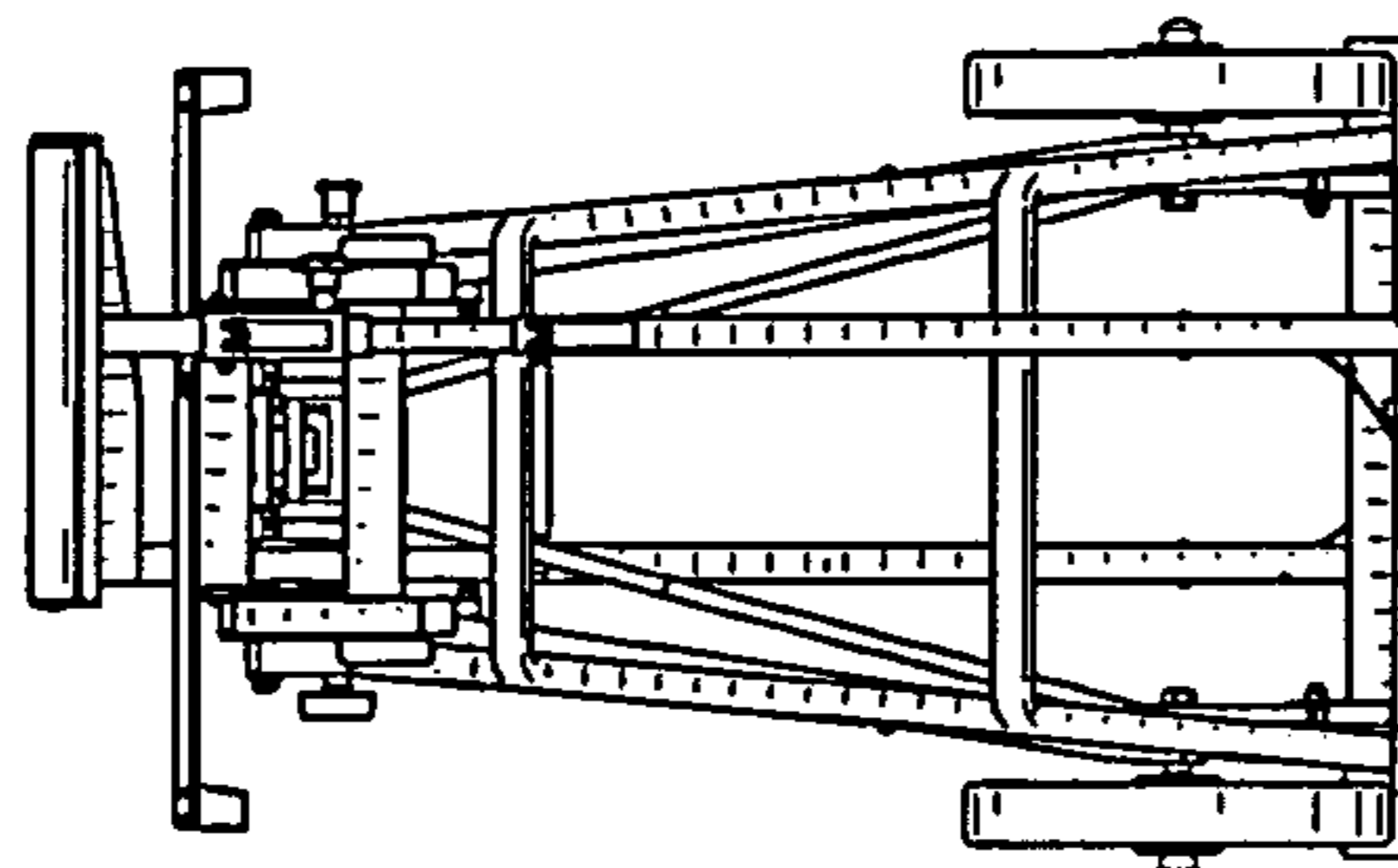


FIG.5

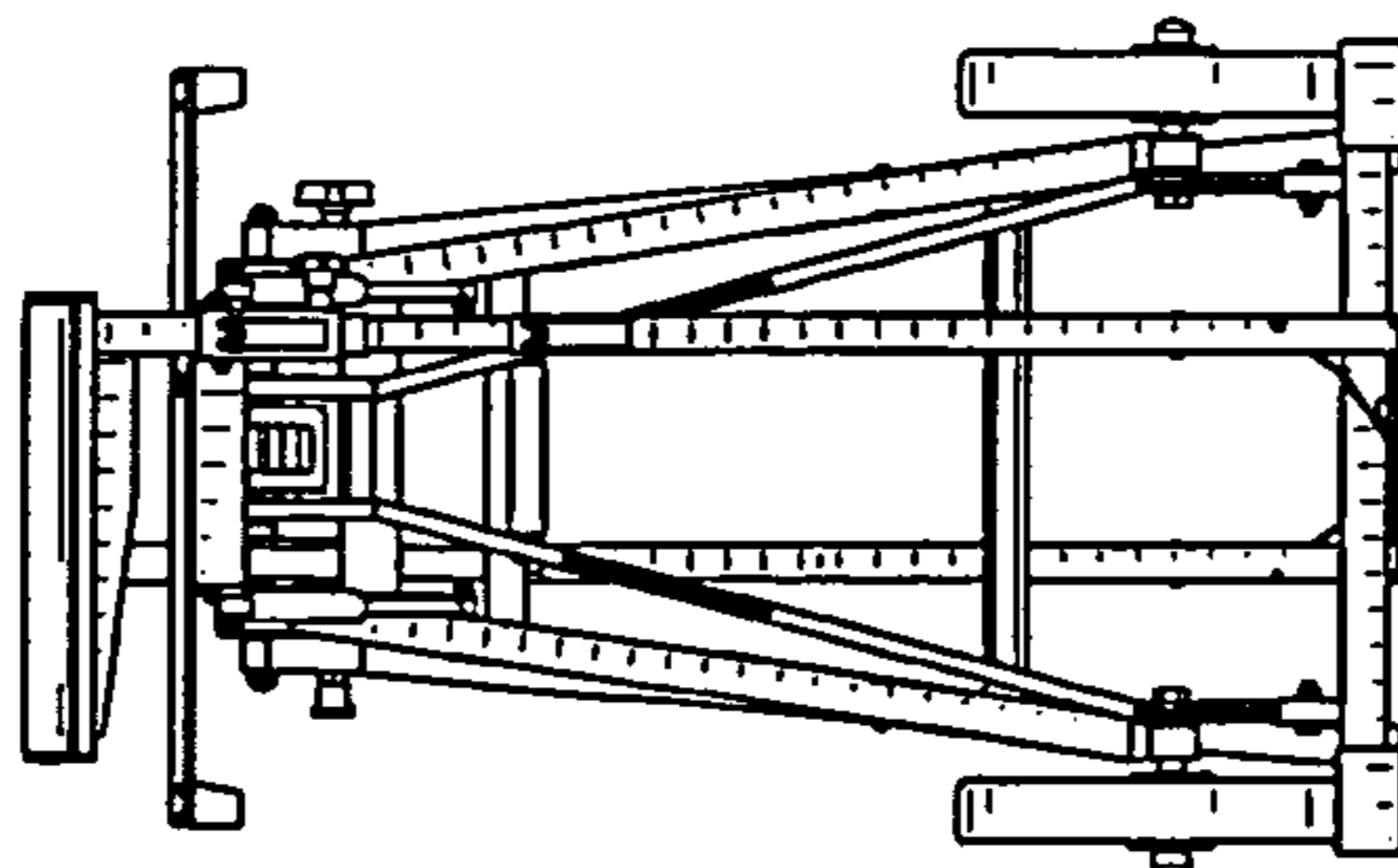


FIG.4

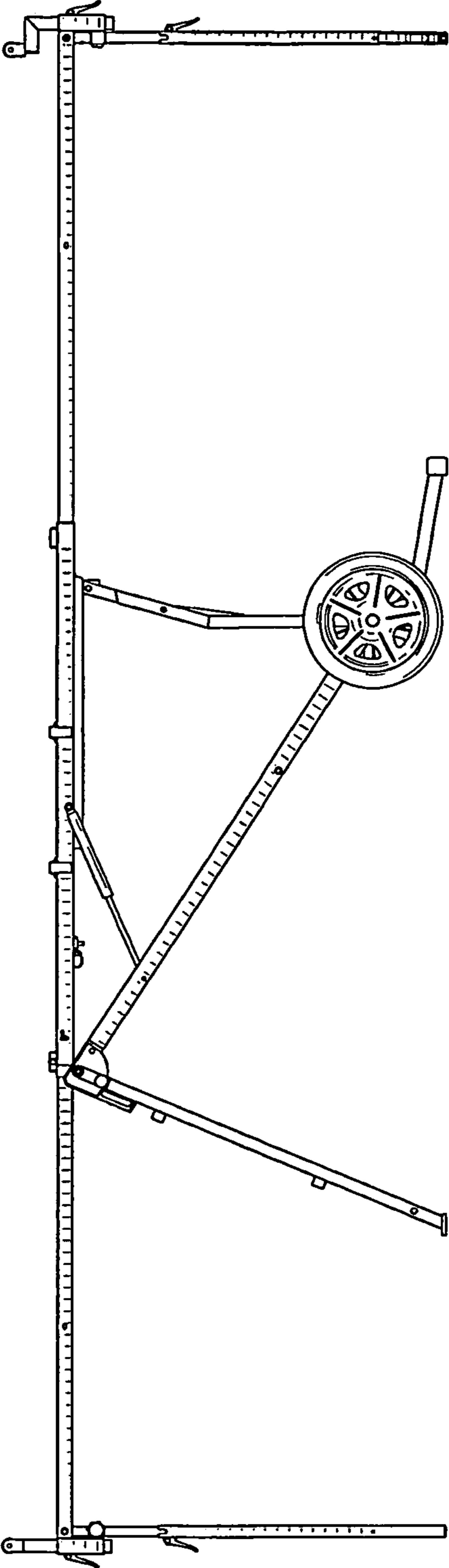


FIG.6

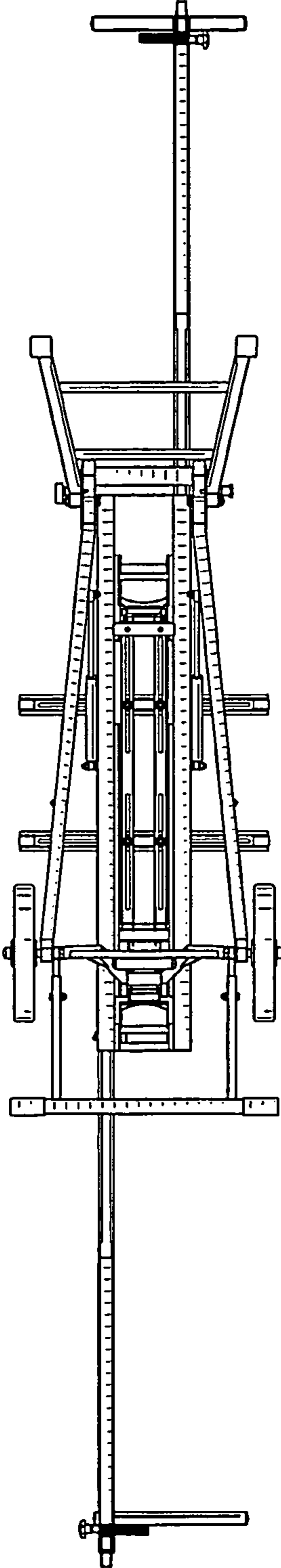


FIG. 7

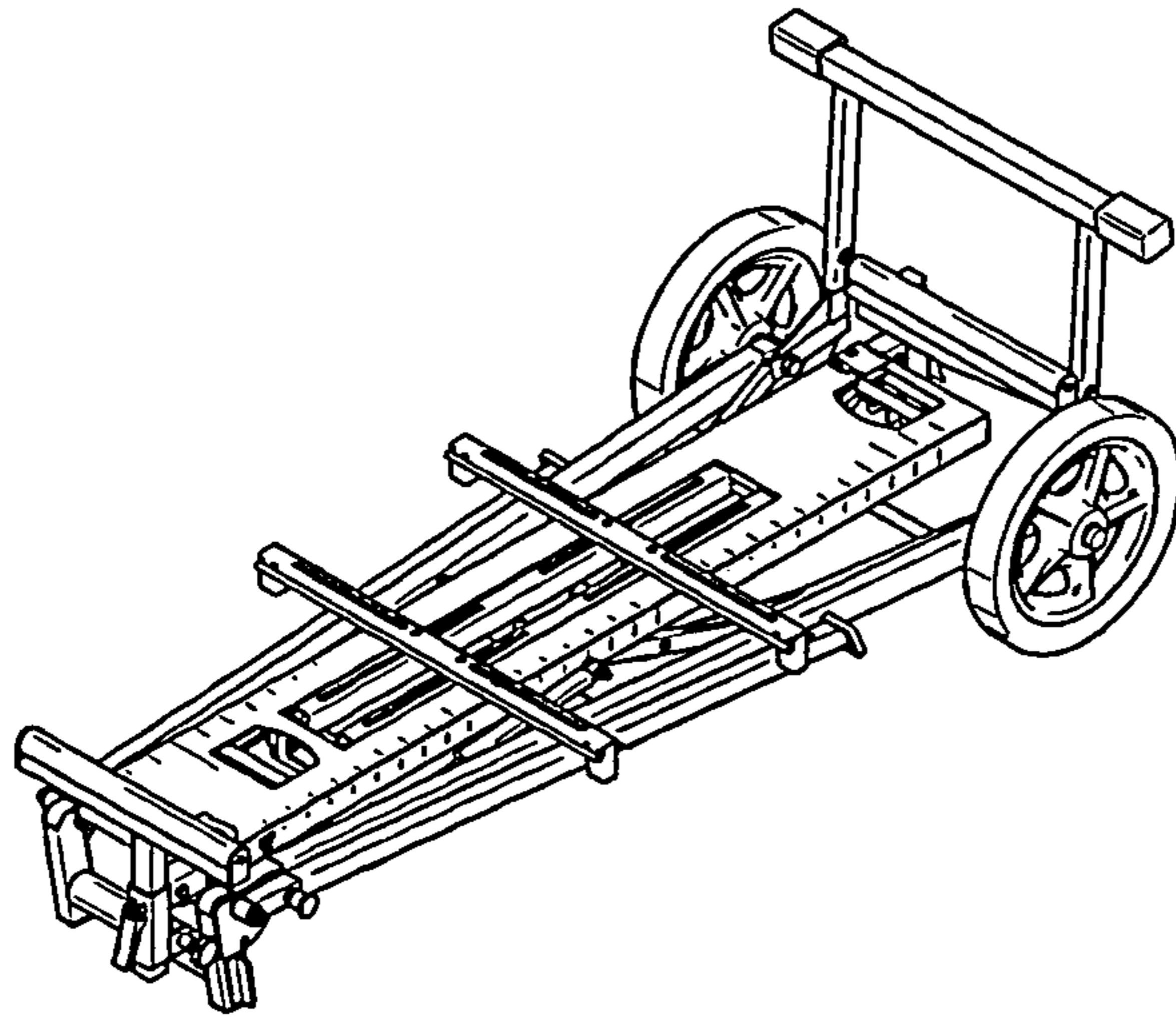


FIG.8