



US00D686853S

(12) **United States Design Patent**
Duncan et al.

(10) **Patent No.:** **US D686,853 S**
(45) **Date of Patent:** **** Jul. 30, 2013**

(54) **MAT BASKET**

(71) Applicants: **Neil F. Duncan**, Patchogue, NY (US);
Anthony L. Buccella, Westborough, MA
(US); **Khemraj Ramcharan**, Shirley,
NY (US)

(72) Inventors: **Neil F. Duncan**, Patchogue, NY (US);
Anthony L. Buccella, Westborough, MA
(US); **Khemraj Ramcharan**, Shirley,
NY (US)

(73) Assignee: **TW Promotions Inc.**, Ronkonkoma, NY
(US)

(**) Term: **14 Years**

(21) Appl. No.: **29/446,522**

(22) Filed: **Feb. 25, 2013**

(51) **LOC (9) Cl.** **06-06**

(52) **U.S. Cl.**
USPC **D6/675.5**

(58) **Field of Classification Search**
USPC D6/409-410, 411-413, 414-415,
D6/449, 461-462, 474-476, 672, 675, 675.5;
211/13.1, 85.26, 85.31, 33, 188, 191
See application file for complete search history.

(56) **References Cited**

U.S. PATENT DOCUMENTS

2,110,158	A *	3/1938	Keeler	211/182
RE28,244	E *	11/1974	Evans	108/157.13
D240,363	S *	6/1976	Weigel et al.	D30/106
D289,080	S *	3/1987	Einsel	D23/410
4,765,253	A *	8/1988	Schappach	108/158.12
D332,710	S *	1/1993	Magnusson et al.	D6/416
5,363,775	A *	11/1994	Simpson	108/187
D362,138	S *	9/1995	Sagol	D6/479

5,738,365	A *	4/1998	McCarthy	280/651
D429,865	S *	8/2000	Bartz et al.	D34/17
D445,229	S *	7/2001	Stravitz et al.	D34/17
D470,978	S *	2/2003	Hoernig	D28/73
6,669,214	B1 *	12/2003	Domis	280/47.35
7,124,695	B2 *	10/2006	Buechler	108/180
D568,066	S *	5/2008	Cohen	D6/475
D568,067	S *	5/2008	Cohen	D6/475
D568,550	S *	5/2008	Totty	D30/158
D571,521	S *	6/2008	Stollenwerk et al.	D34/17
D575,555	S *	8/2008	Lewis	D6/465
D587,490	S *	3/2009	Siegel	D6/459
D587,491	S *	3/2009	Casper	D6/462
D594,252	S *	6/2009	Gehring	D6/465
D630,397	S *	1/2011	Molayem	D32/55
D642,671	S *	8/2011	Alexander	D23/410
D643,233	S *	8/2011	O'Hern et al.	D6/475
D649,378	S *	11/2011	Rogers	D6/462
D650,202	S *	12/2011	Klein et al.	D6/479
D650,238	S *	12/2011	Klein et al.	D7/554.2
D670,102	S *	11/2012	Duncan et al.	D6/475
2003/0006586	A1 *	1/2003	Comilla	280/651

* cited by examiner

Primary Examiner — Kelley Donnelly

(74) *Attorney, Agent, or Firm* — Rodman & Rodman

(57) **CLAIM**

The ornamental design for a mat basket, as shown and described.

DESCRIPTION

FIG. 1 is a perspective view of a mat basket incorporating our new design;
FIG. 2 is a front elevation view thereof, the rear elevation view (not shown) is a mirror image of the front elevation view;
FIG. 3 is a left end view thereof;
FIG. 4 is a right end view thereof;
FIG. 5 is a top plan view thereof; and,
FIG. 6 is a bottom plan view thereof.

1 Claim, 4 Drawing Sheets

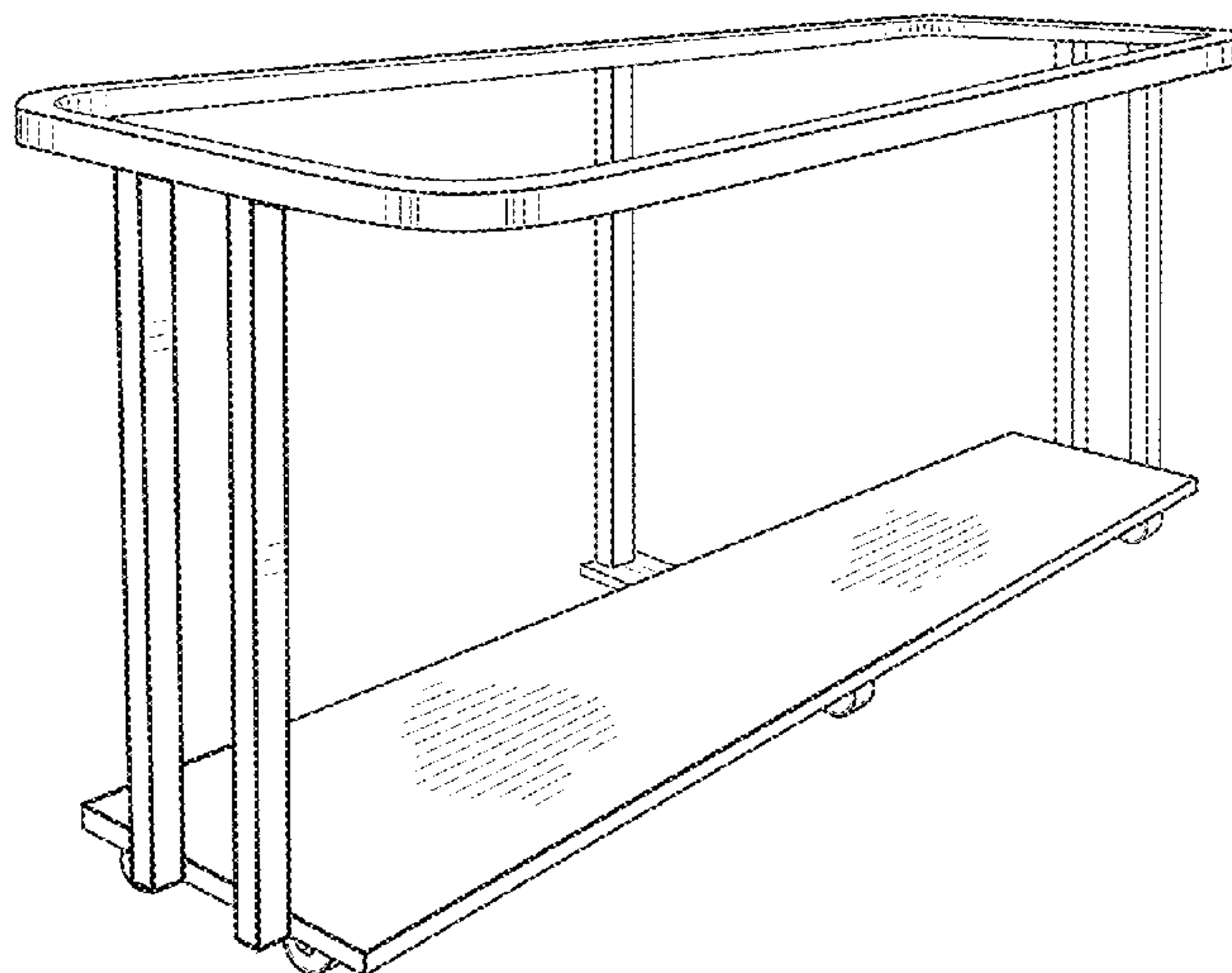


FIG. 1

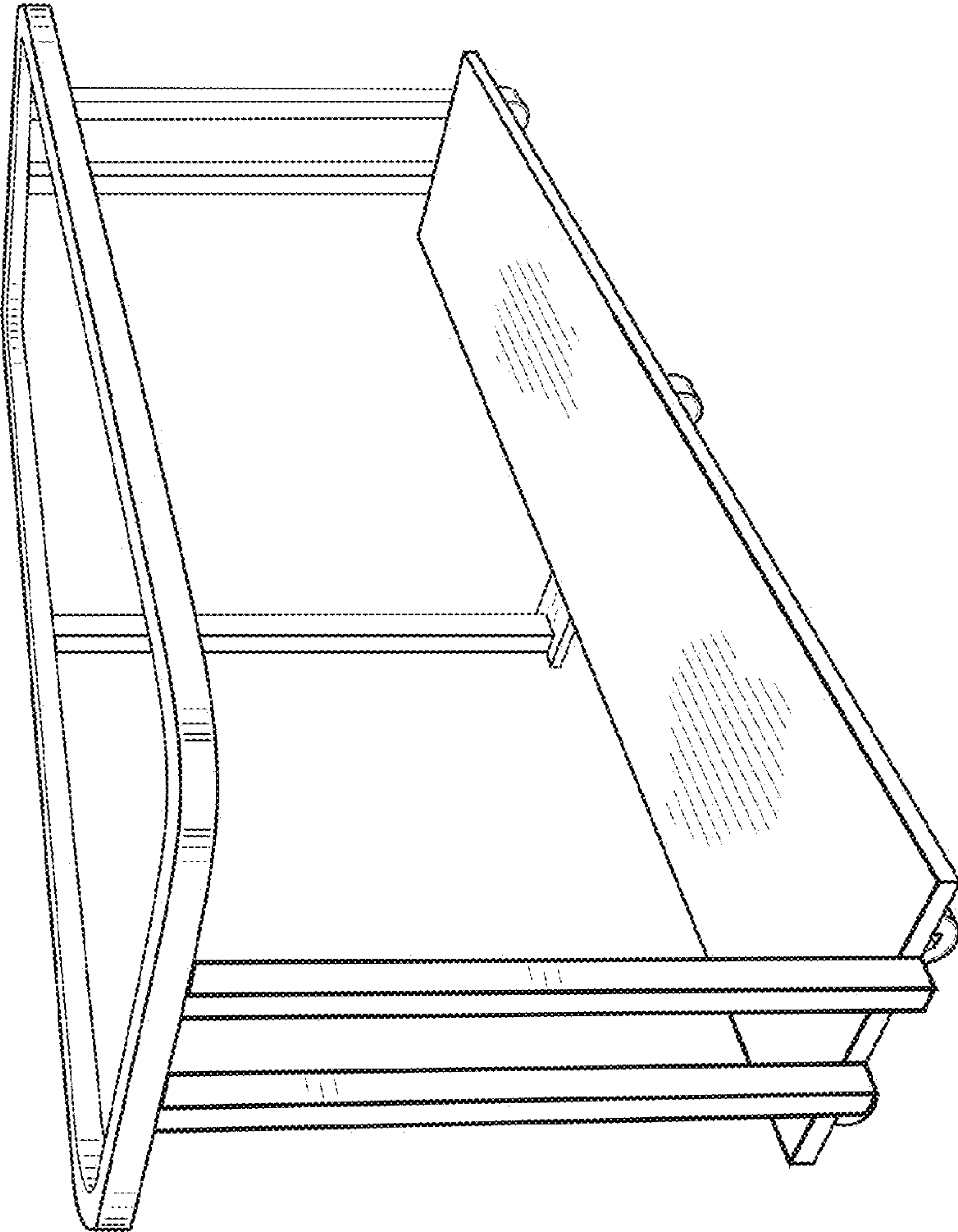


FIG. 2

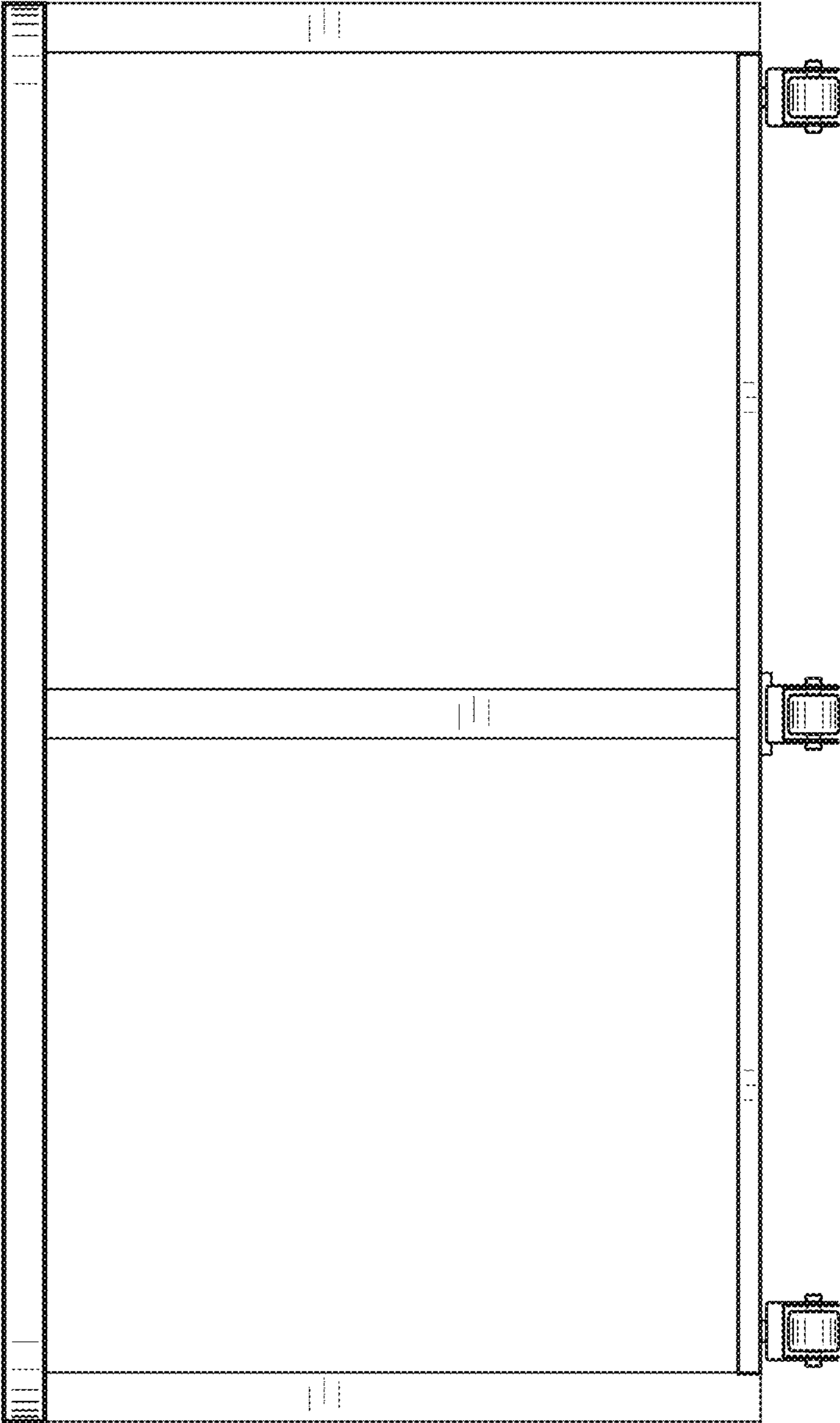


FIG. 4

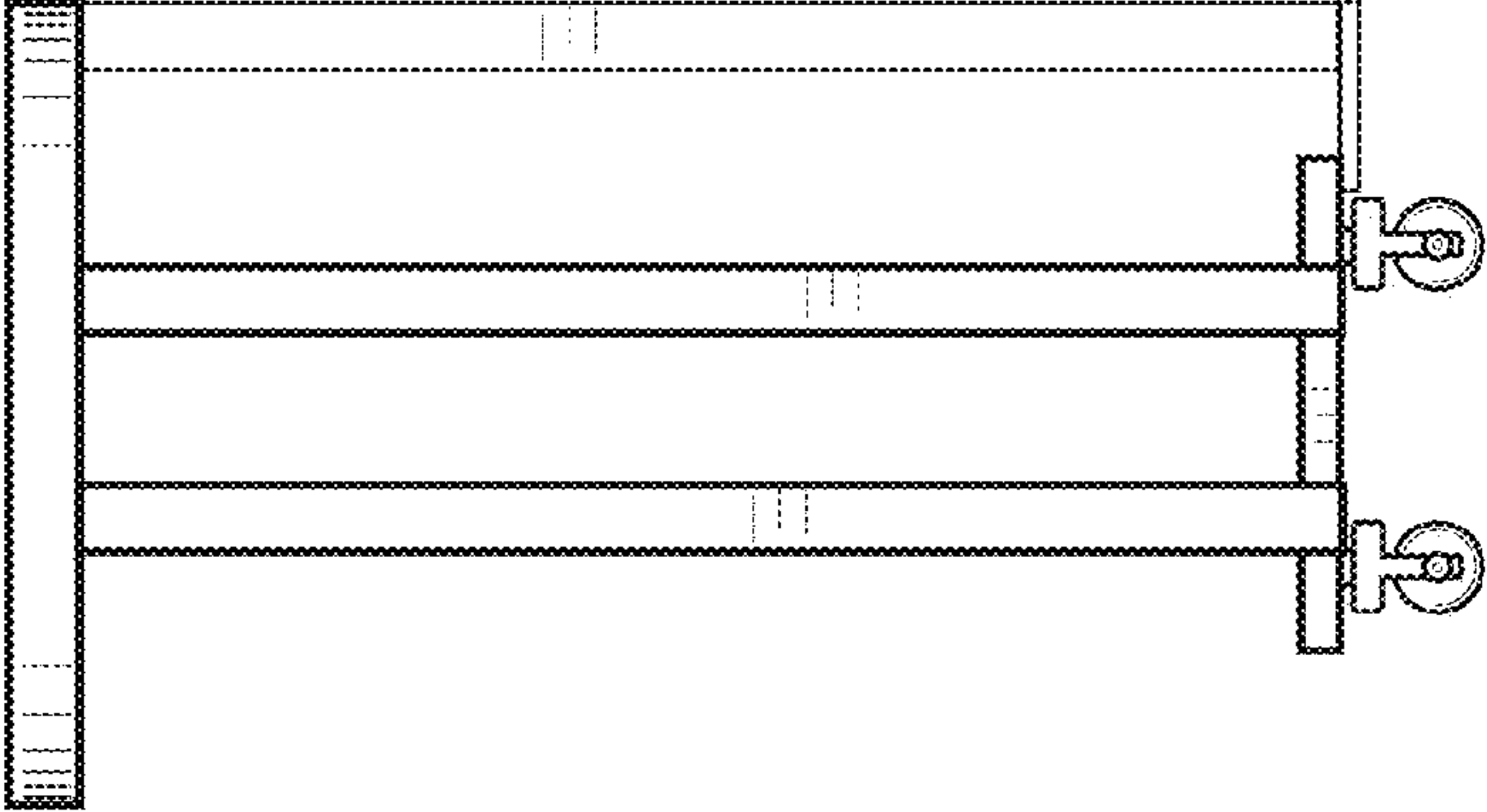
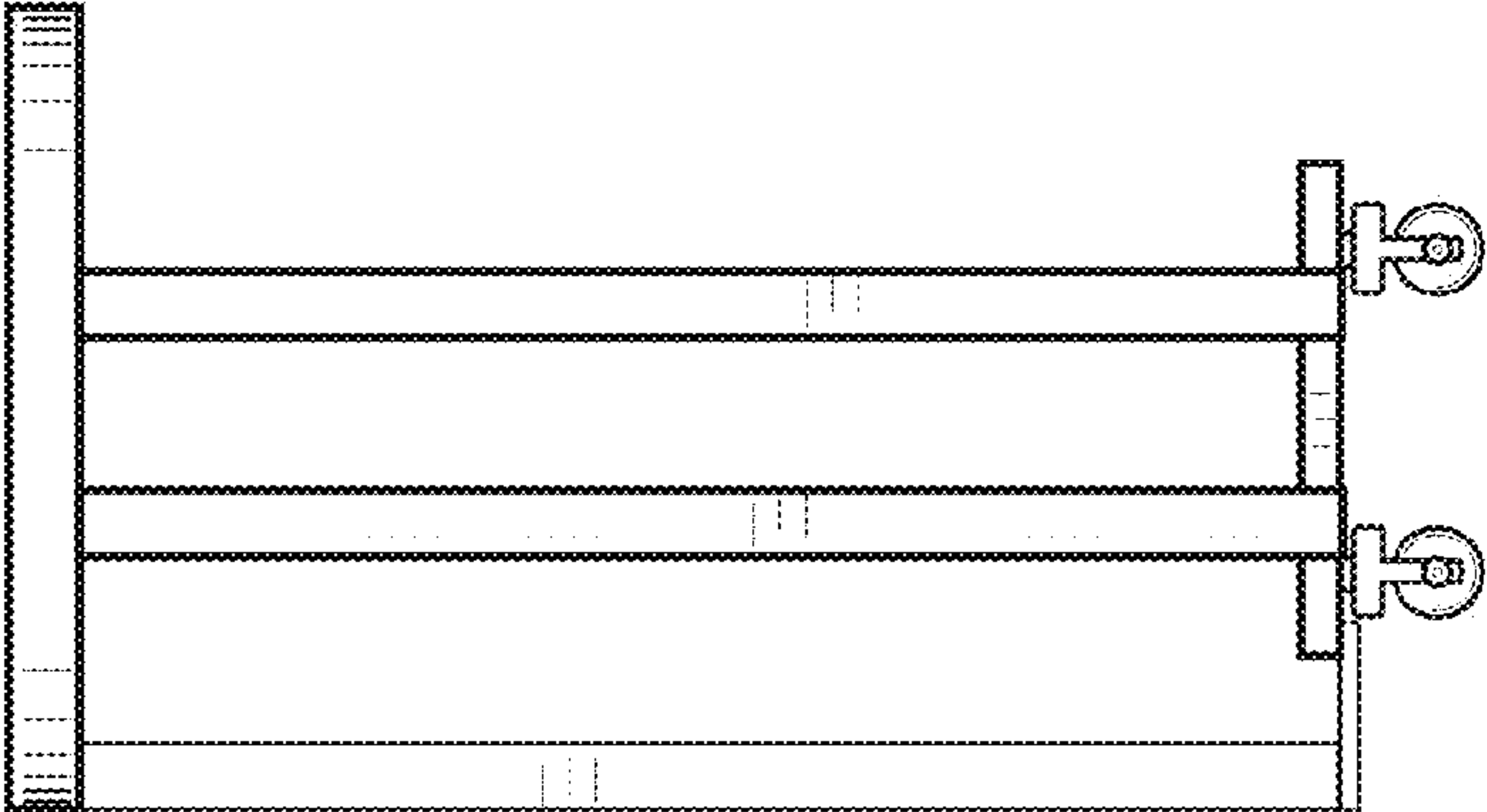


FIG. 3



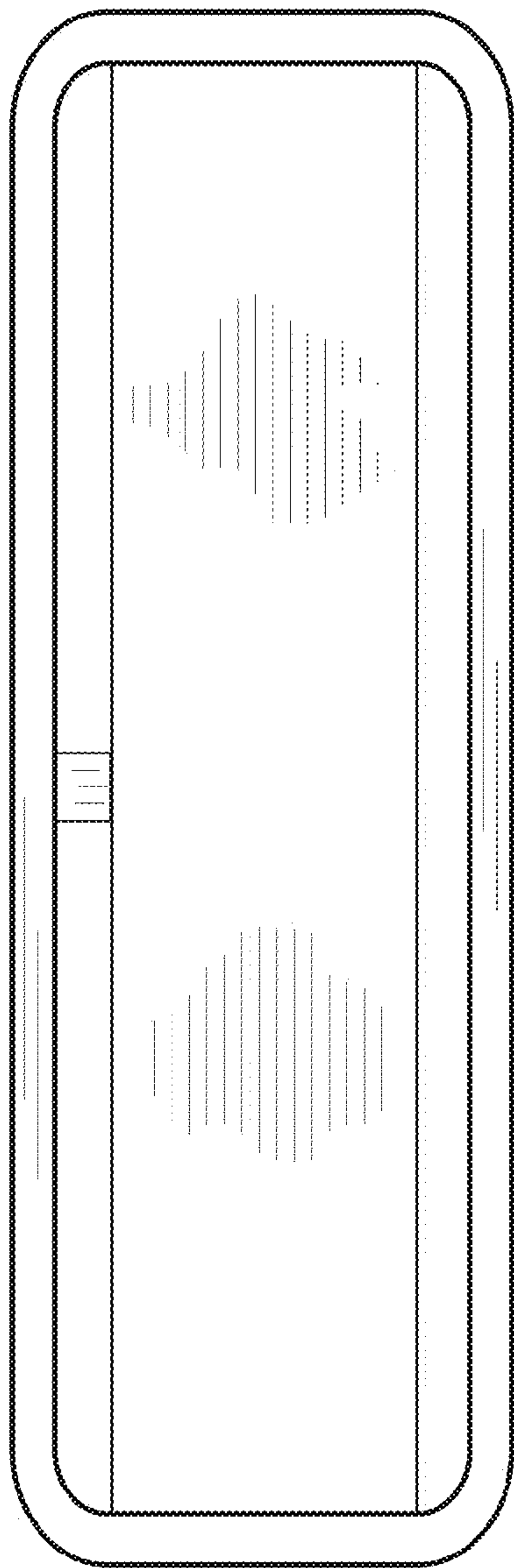


FIG. 5

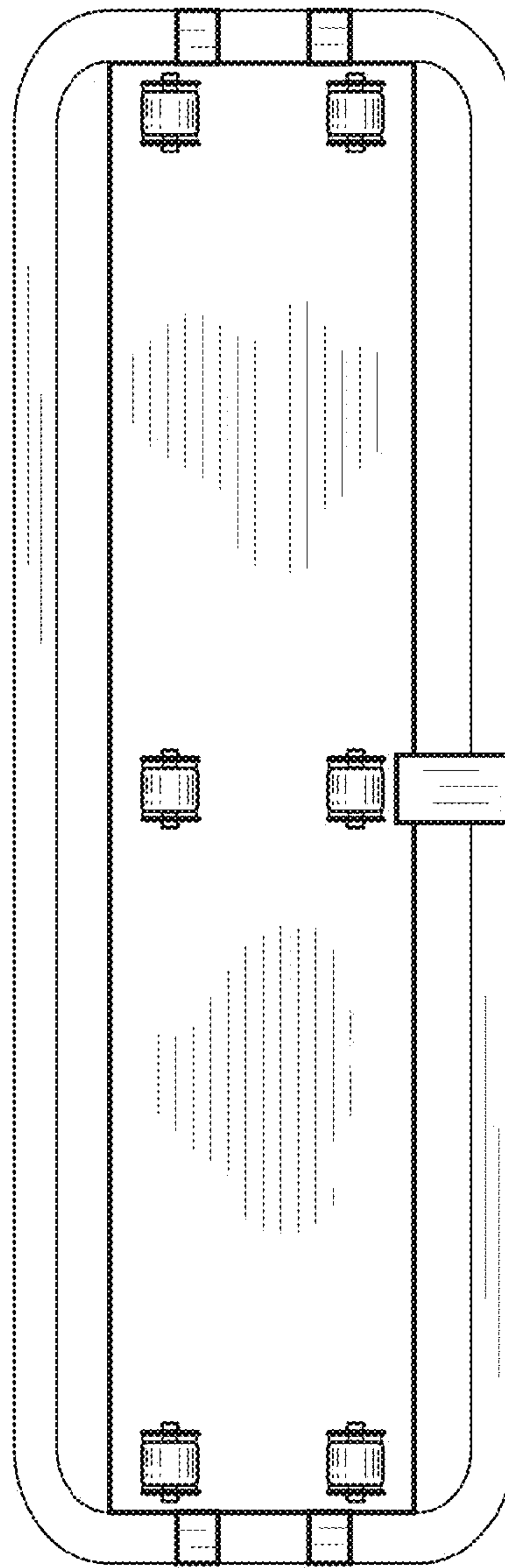


FIG. 6