



US00D686849S

(12) **United States Design Patent**
Sack

(10) **Patent No.:** **US D686,849 S**

(45) **Date of Patent:** **** *Jul. 30, 2013**

(54) **STACKABLE ADULT BOOSTER CUSHION**

(76) Inventor: **Jean Sack**, Swampscott, MA (US)

(*) Notice: This patent is subject to a terminal disclaimer.

(**) Term: **14 Years**

(21) Appl. No.: **29/395,954**

(22) Filed: **Apr. 26, 2012**

(51) **LOC (9) Cl.** **06-09**

(52) **U.S. Cl.**
USPC **D6/601**

(58) **Field of Classification Search**
USPC D6/595, 596, 597, 601, 604; 5/420,
5/630, 633, 636, 637, 645, 652-656, 655.9,
5/639, 644

See application file for complete search history.

(56) **References Cited**

U.S. PATENT DOCUMENTS

2,295,906 A *	9/1942	Lacour	5/636
D655,557 S *	3/2012	Horres	D6/601
2009/0270236 A1 *	10/2009	Berc	5/652

* cited by examiner

Primary Examiner — Janice Seeger

(74) *Attorney, Agent, or Firm* — Robert K. Tendler

(57) **CLAIM**

The ornamental design for an stackable adult booster cushion, showing my new design.

DESCRIPTION

FIG. 1 is a three-quarter front view of the stackable adult booster cushion of the present invention;

FIG. 2 is a top view of the stackable adult booster cushion of FIG. 1;

FIG. 3 is a side view of the stackable adult booster cushion of FIG. 1;

FIG. 4 is a rear view of the stackable adult booster cushion of FIG. 1;

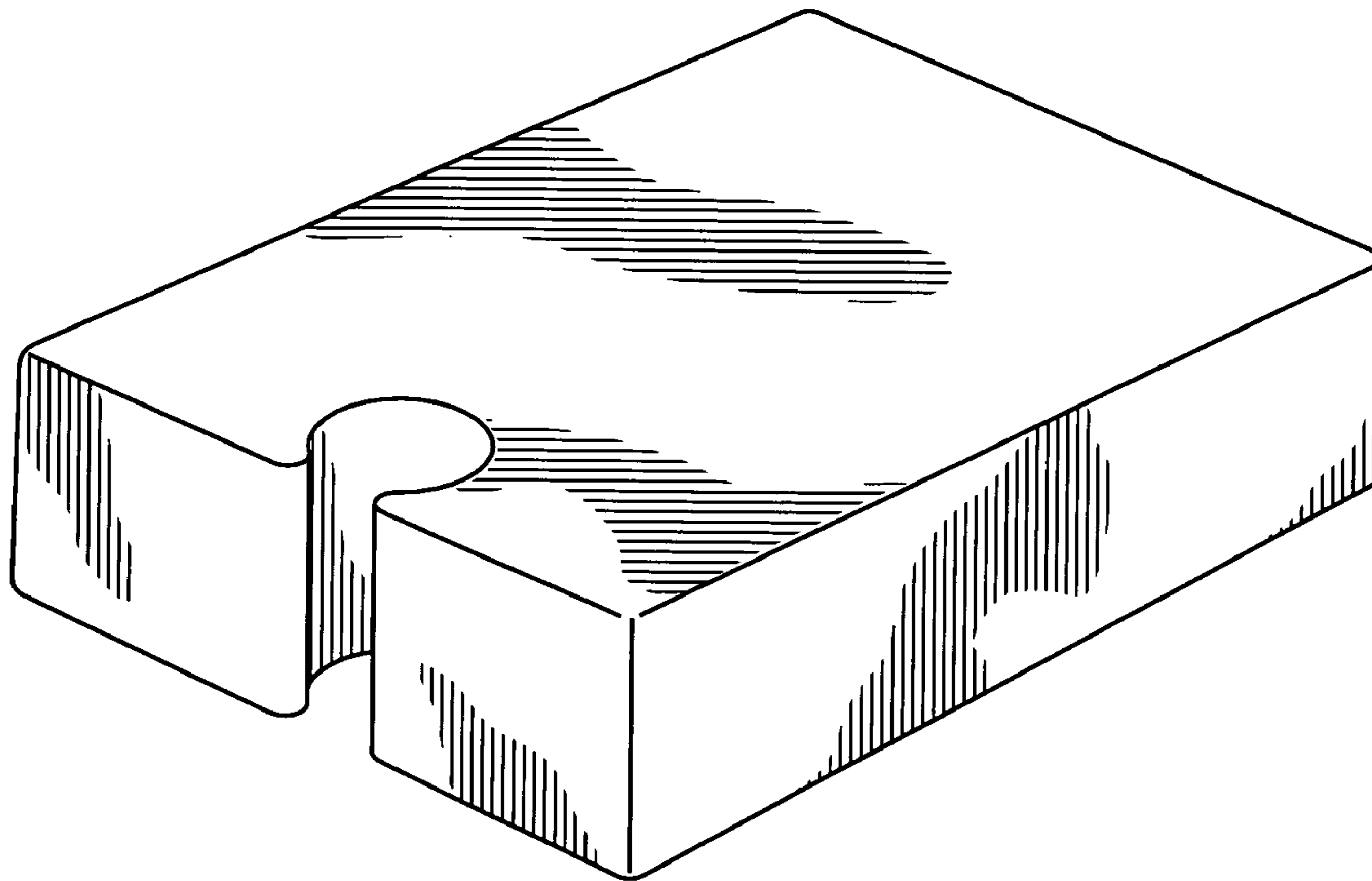
FIG. 5 is a front view of the stackable adult booster cushion of FIG. 1;

FIG. 6 is a perspective view, showing the stackable adult booster cushion in a stacked position; and,

FIG. 7 is a side view of the stackable adult booster cushion in place on a chair adjacent a table with a short individual on the cushion.

The broken lines in FIG. 6 showing the additional cushions and other structure are for environmental purposes only and form no part of the claimed design.

1 Claim, 4 Drawing Sheets



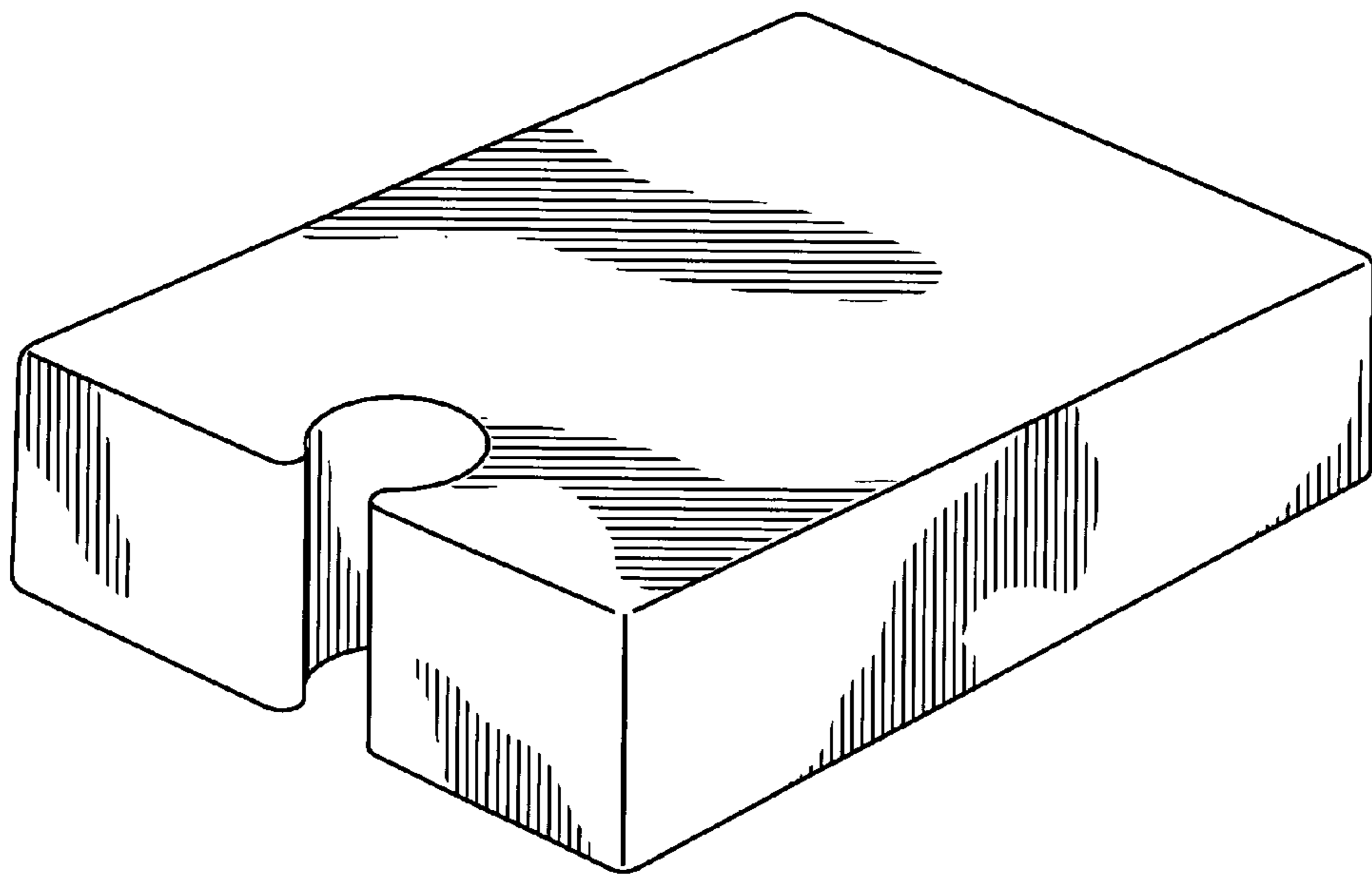


Fig. 1

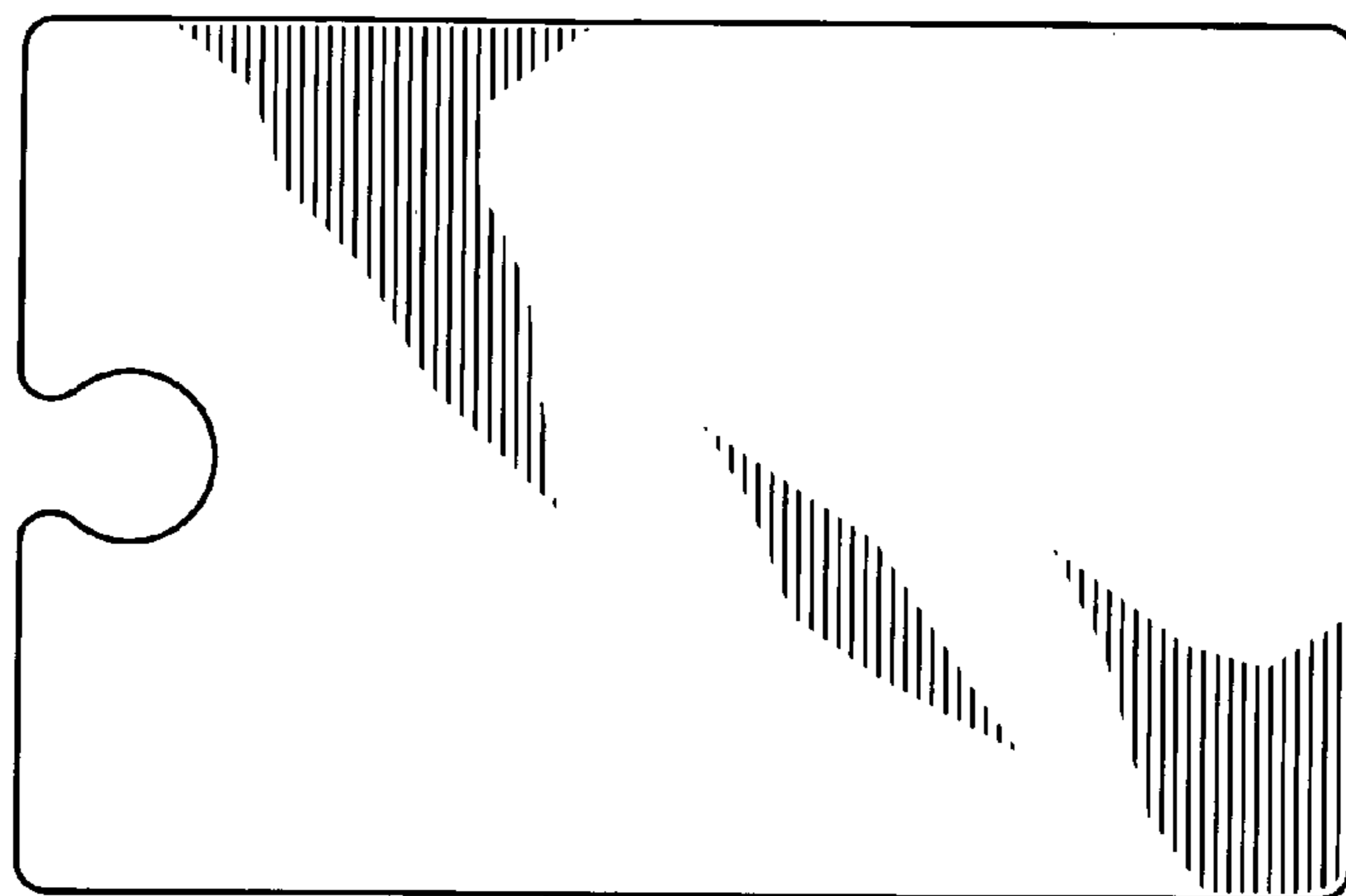


Fig. 2

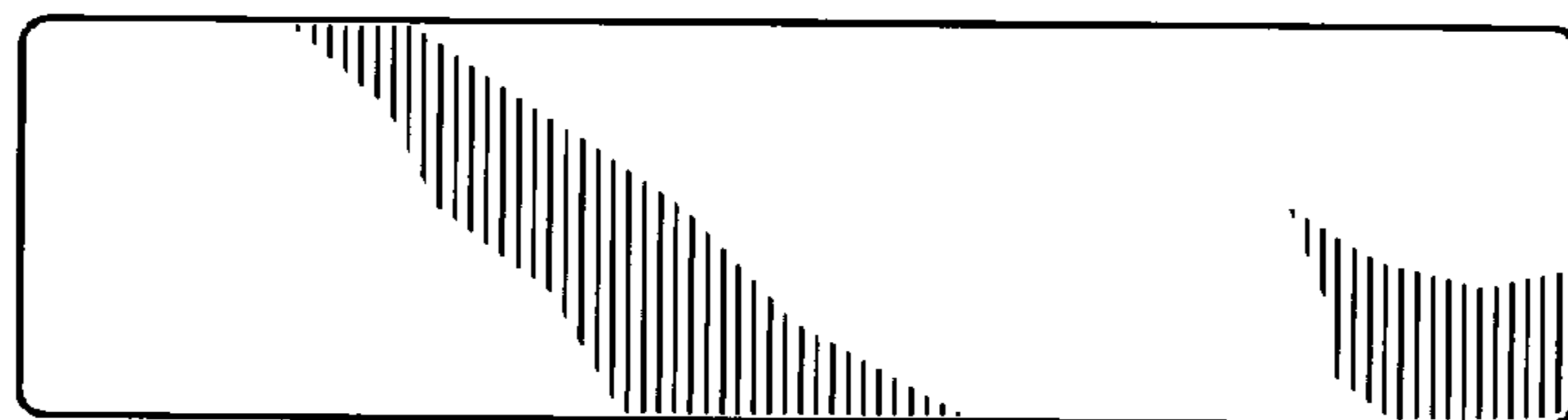


Fig. 3

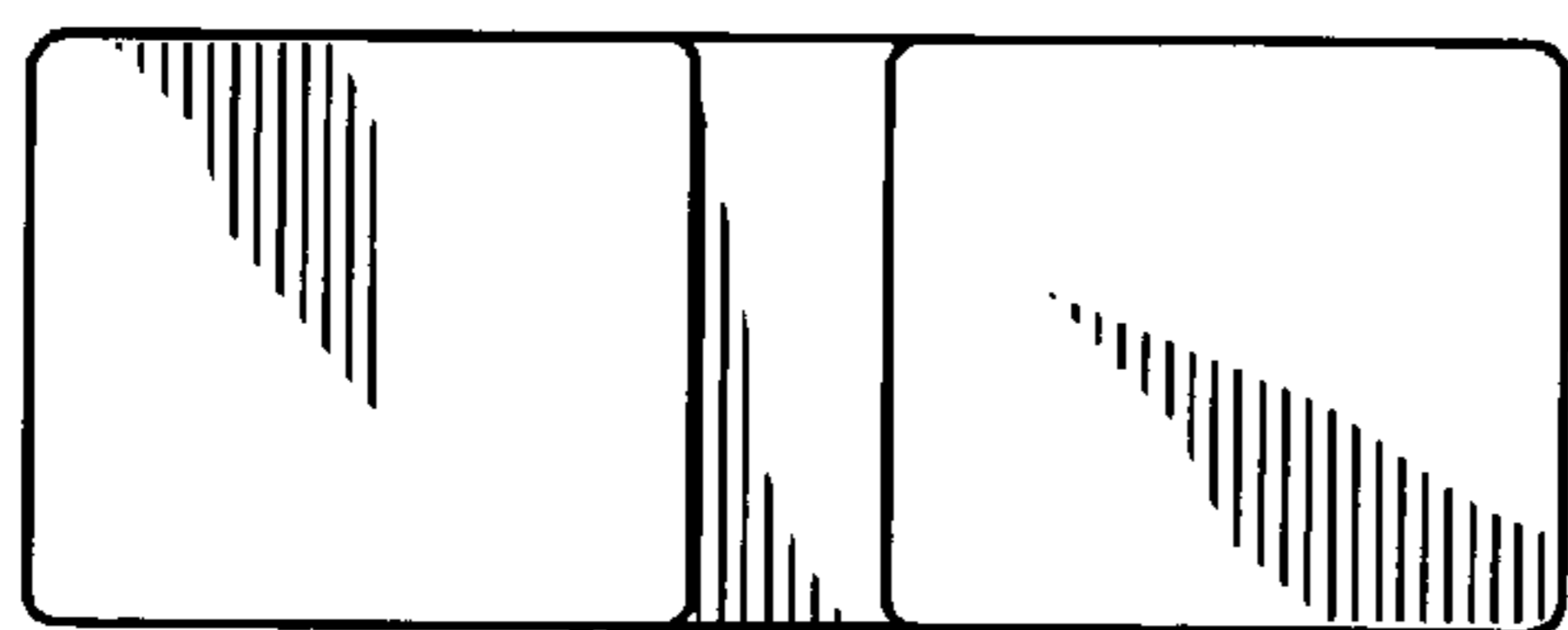


Fig. 4

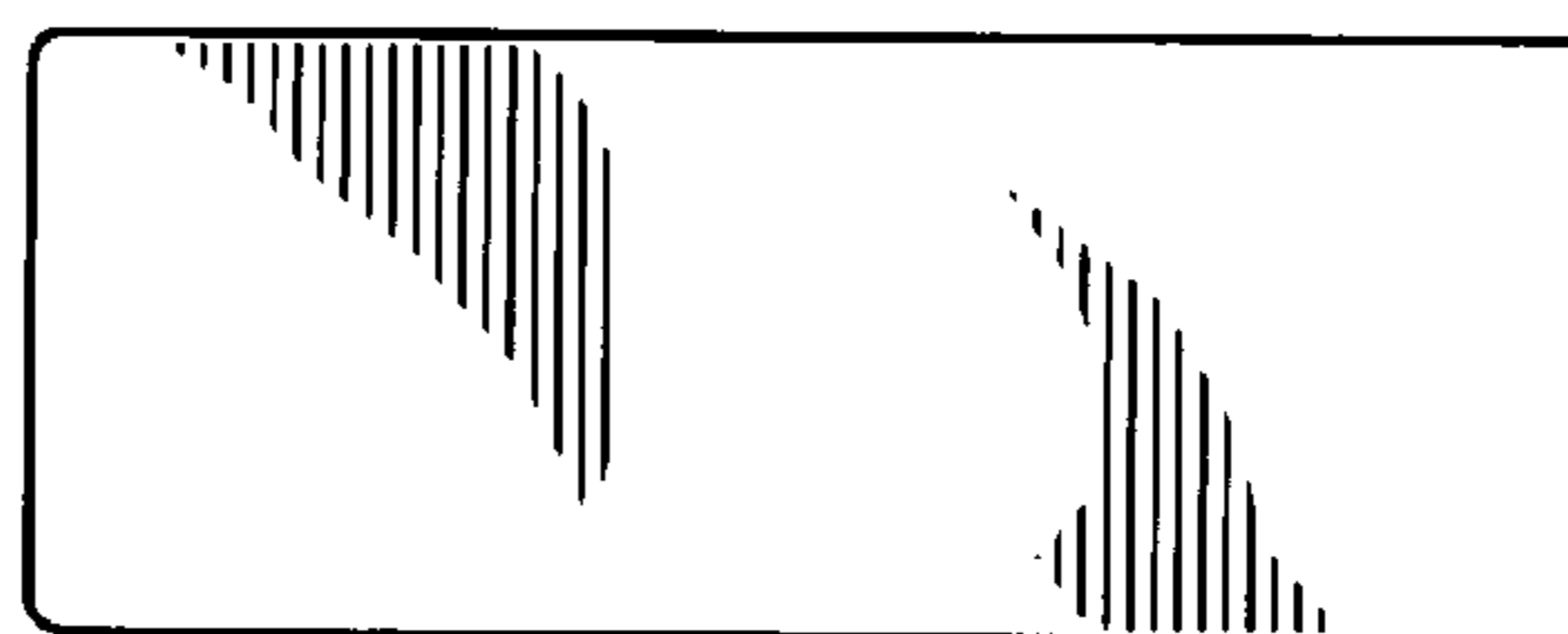


Fig. 5

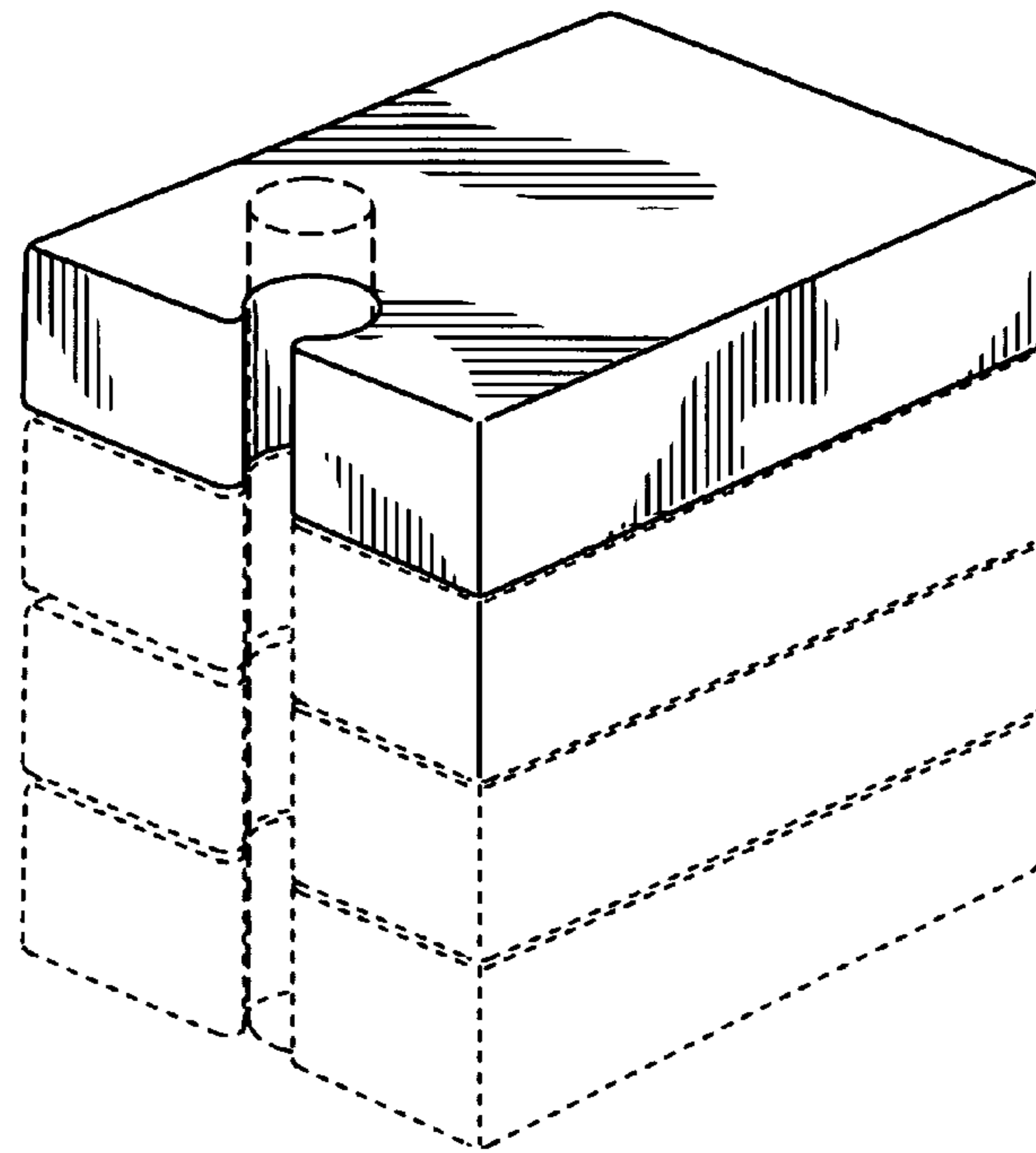


Fig. 6

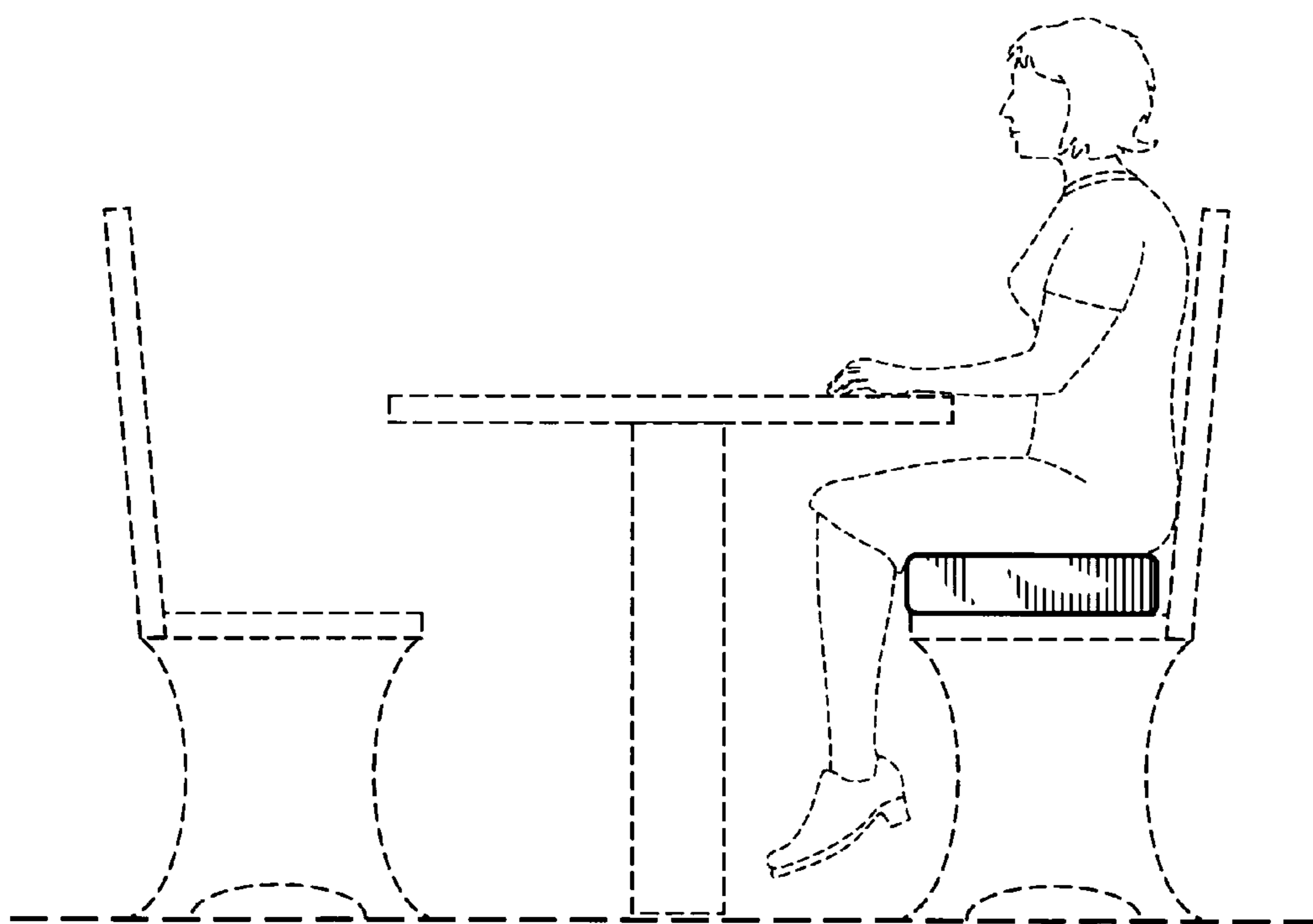


Fig. 7