



US00D686844S

(12) **United States Design Patent**
Simon

(10) **Patent No.:** **US D686,844 S**

(45) **Date of Patent:** **** Jul. 30, 2013**

(54) **PAPER ROLL AND ACCESSORIES HOLDER**

(76) Inventor: **Robyn Simon**, Queens, NY (US)

(**) Term: **14 Years**

(21) Appl. No.: **29/423,899**

(22) Filed: **Jun. 6, 2012**

(51) **LOC (9) Cl.** **20-02**

(52) **U.S. Cl.**
USPC **D6/519**

(58) **Field of Classification Search**
USPC D6/518-52, 562, 546-550, 527,
D6/532, 53, 535; D8/300, 315-320; D23/271,
D23/303, 304, 283, 280.2; 211/13.1, 71.01,
211/86.01, 87.01, 88.01, 88.04, 90.01, 123,
211/126.1, 133.1, 134; 248/220.1, 235, 251,
248/309.1; 4/571.1, 571.3, 576.1
See application file for complete search history.

(56) **References Cited**

U.S. PATENT DOCUMENTS

D143,677 S	4/1945	Smith
D144,729 S	4/1945	Peacock et al.
D162,636 S	3/1951	Ellis
D174,682 S	5/1955	Delaney
D227,212 S	6/1973	Graham
D232,606 S	9/1974	Boone

D286,118 S	*	10/1986	Gecchelin	D6/519
D368,819 S	*	4/1996	Lemmons	D6/519
5,878,893 A	*	3/1999	Micienko	211/13.1
D419,011 S	*	1/2000	Gilmore	D6/519
D484,483 S	*	12/2003	Chan	D6/519
D642,410 S		8/2011	Vaults, Jr.		
2007/0095769 A1		5/2007	Jenkins		

* cited by examiner

Primary Examiner — Brian N Vinson

(74) *Attorney, Agent, or Firm* — QuickPatents; Kevin Prince

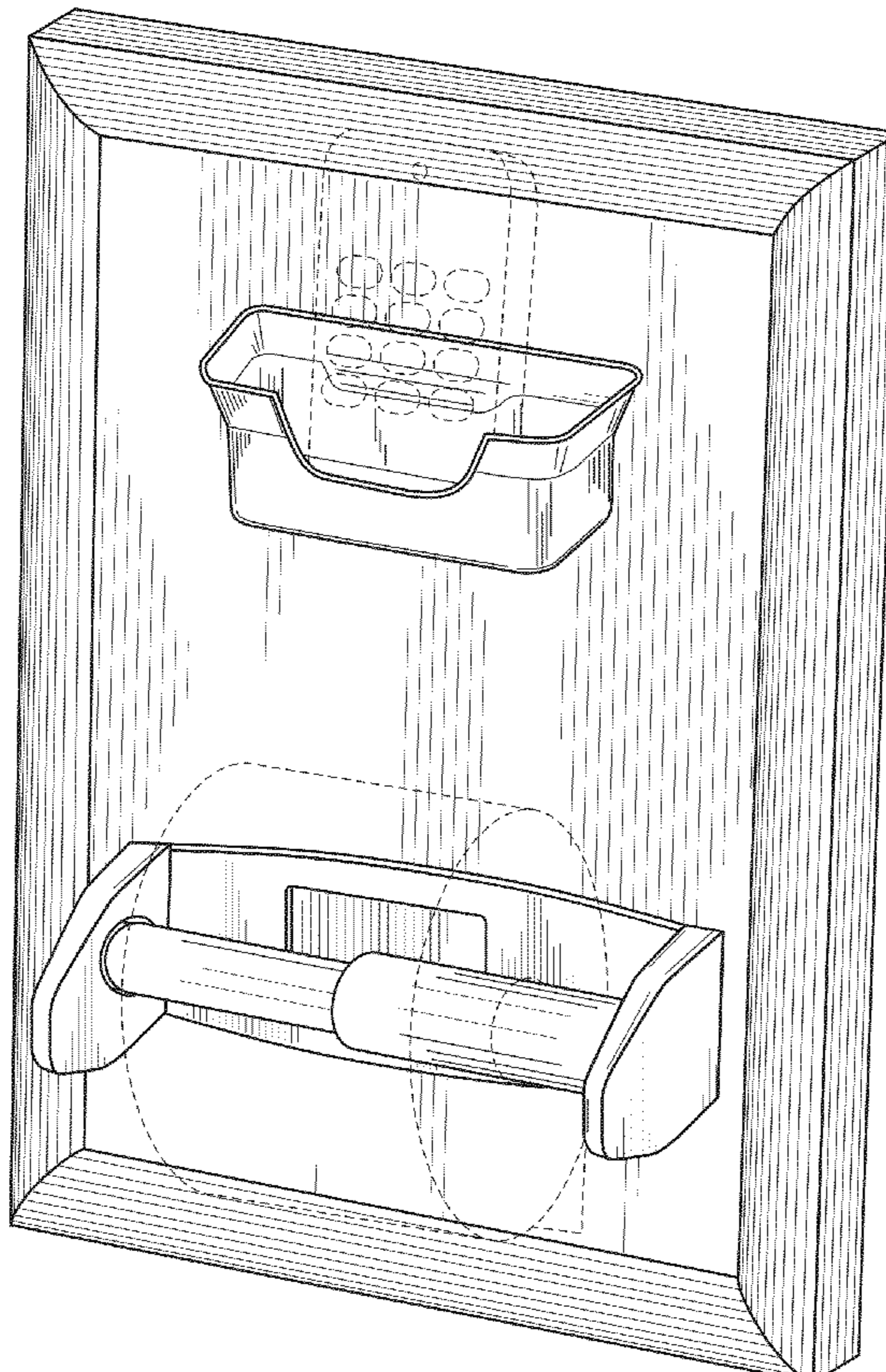
(57) **CLAIM**

I claim the ornamental design for a paper roll and accessories holder, as shown and described.

DESCRIPTION

FIG. 1 is a perspective view of a paper roll and accessories holder, showing my new design;
FIG. 2 is a front elevational view thereof;
FIG. 3 is a rear elevational view thereof;
FIG. 4 is a left-side elevational view thereof, the right-side elevational view being a mirror image thereof;
FIG. 5 is a top plan view thereof; and,
FIG. 6 is a bottom plan view thereof.
The broken lines showing a cellular phone and a toilet paper roll in FIG. 1 depict environmental matter and form no part of the claimed design.

1 Claim, 4 Drawing Sheets



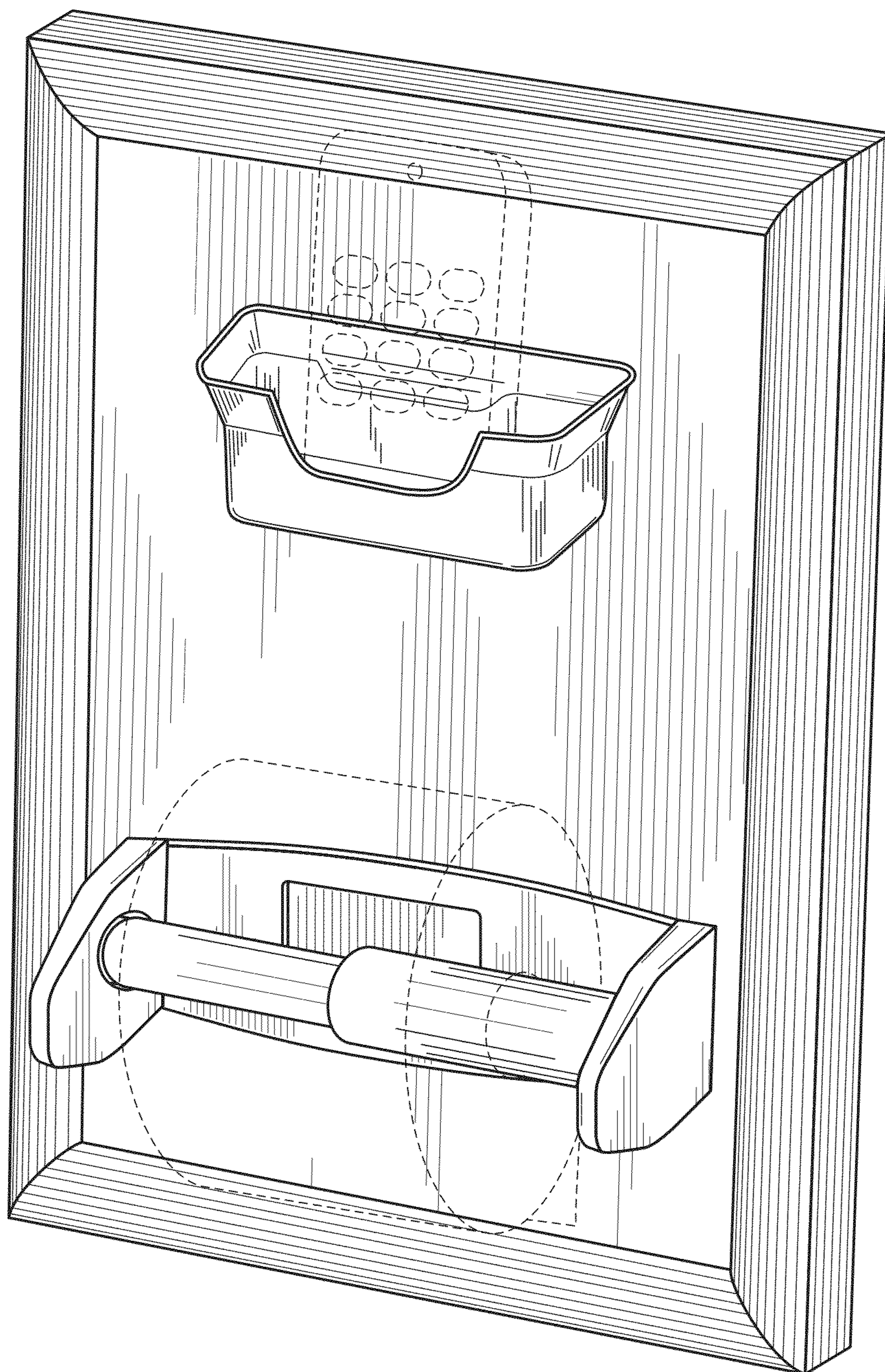


FIG. 1



FIG. 3

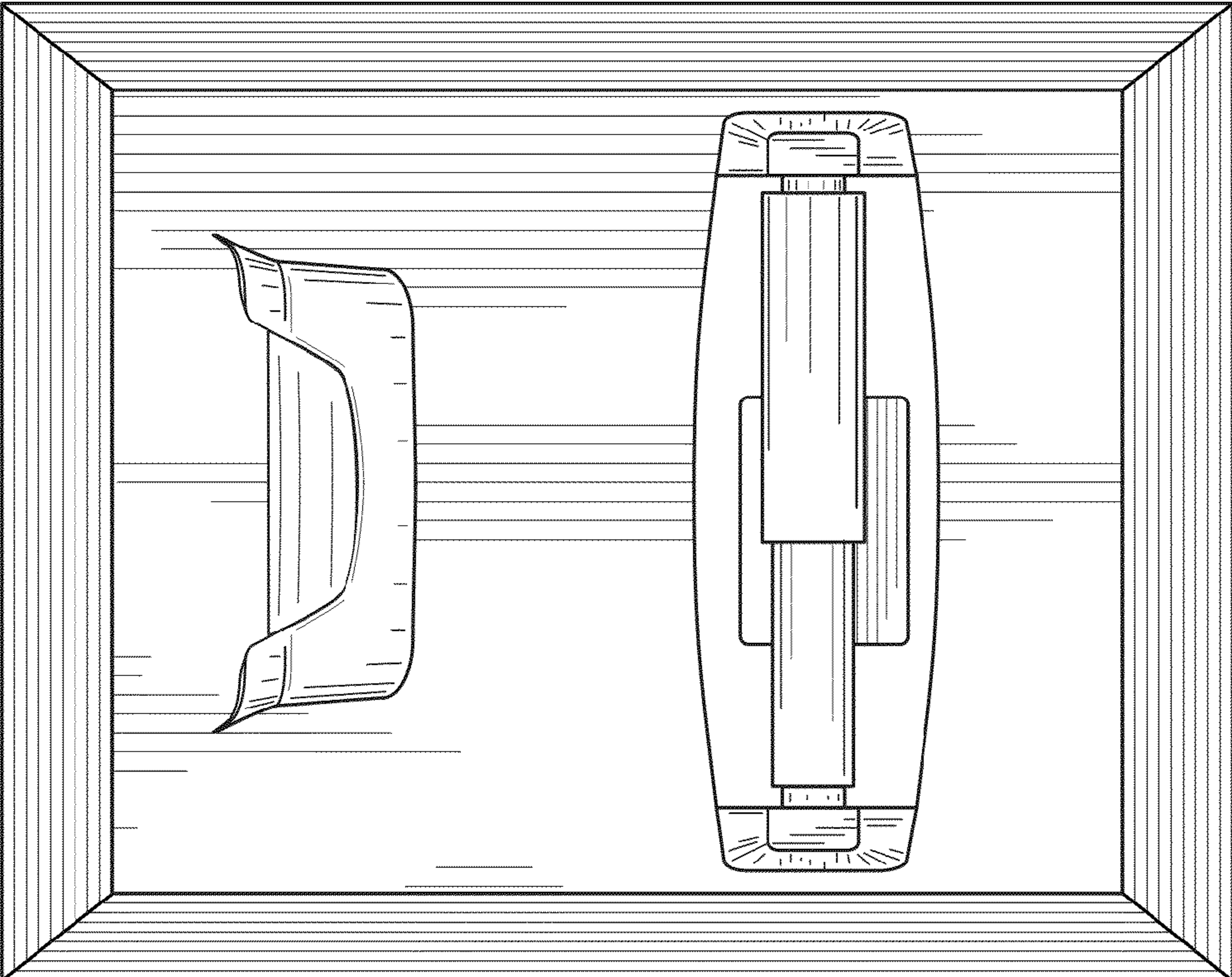


FIG. 2

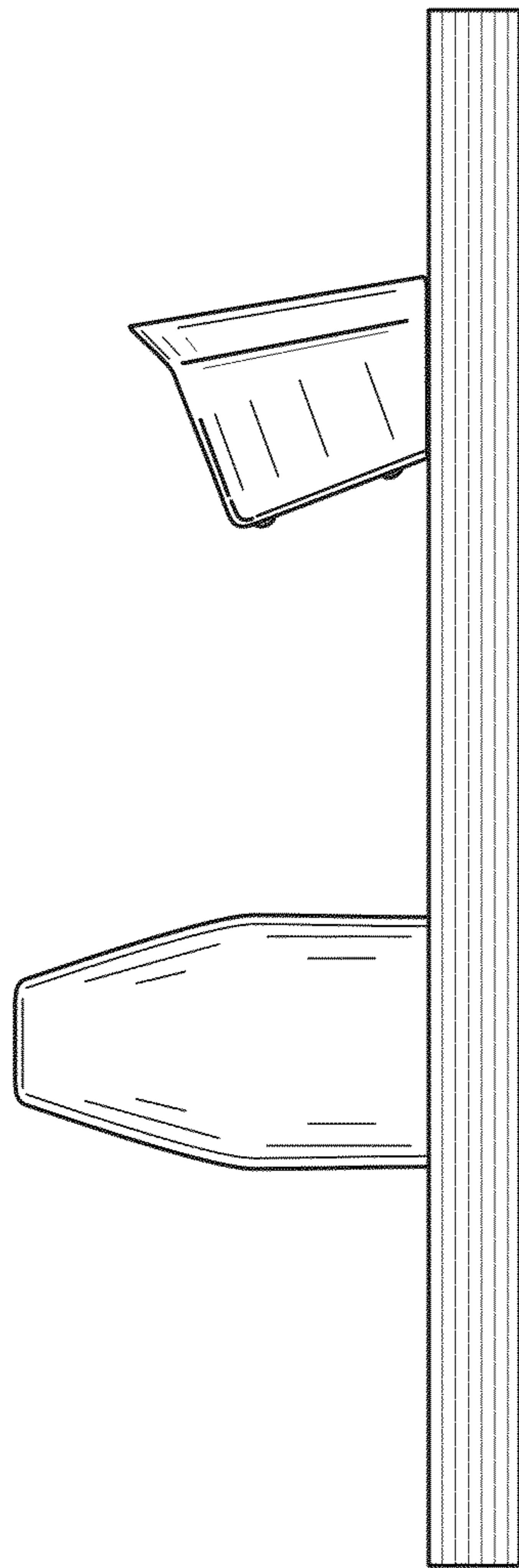


FIG. 4

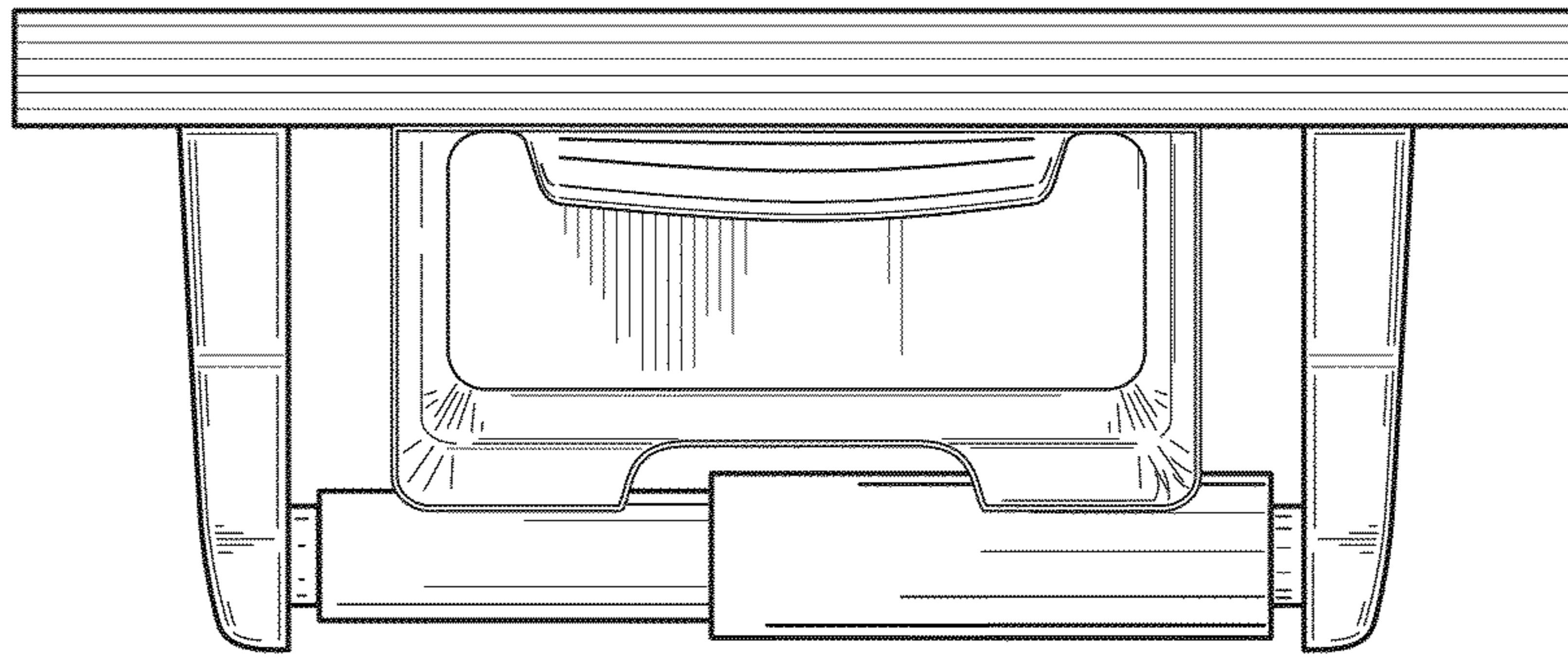


FIG. 5

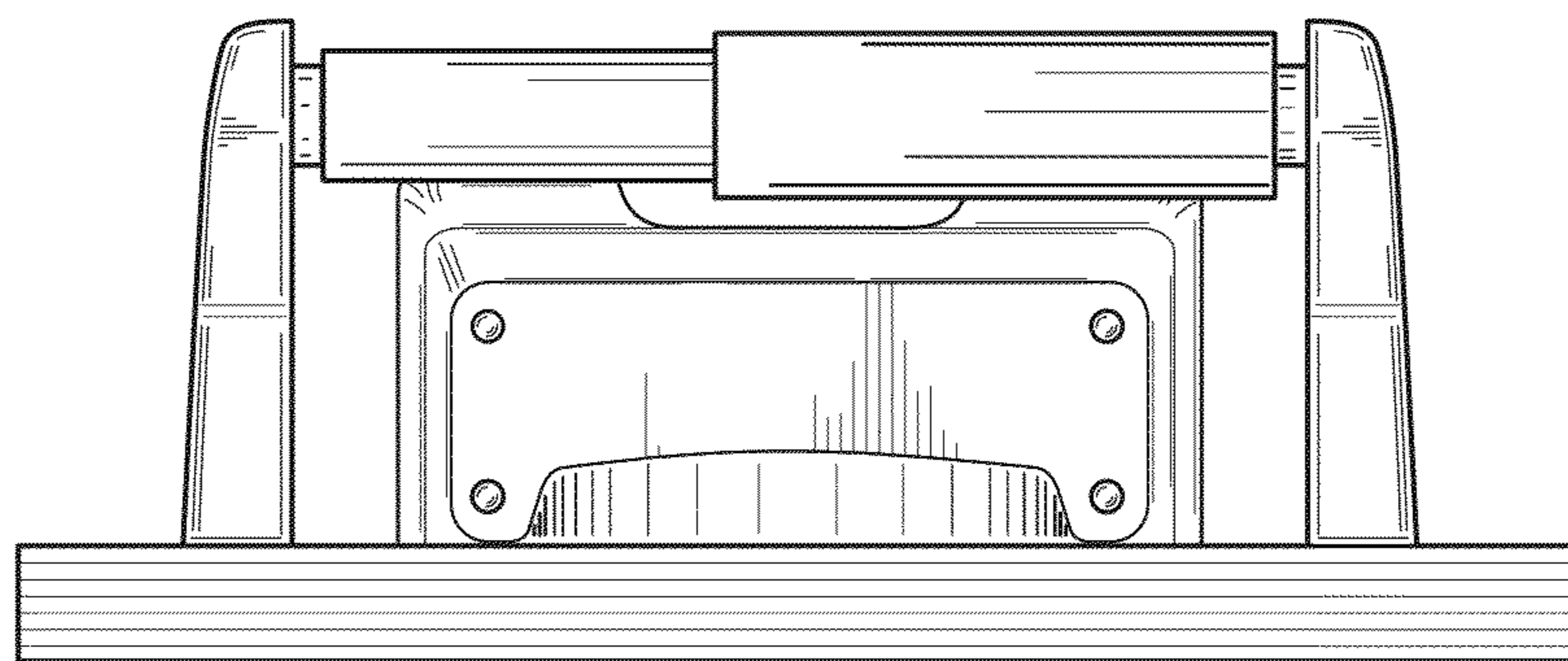


FIG. 6