



US00D686839S

(12) **United States Design Patent**  
**Markwick et al.**

(10) **Patent No.:** **US D686,839 S**  
(45) **Date of Patent:** **\*\* Jul. 30, 2013**

(54) **HYGIENE PRODUCTS STAND**

(56) **References Cited**

- (71) Applicant: **Kimberly-Clark Worldwide, Inc.**,  
Neenah, WI (US)
- (72) Inventors: **Barry P. Markwick**, Johns Creek, GA  
(US); **Ronnie L. Phillips**, Atlanta, GA  
(US); **Joanna L. Klee**, Appleton, WI  
(US); **Christopher M. Sinotte**, Duluth,  
GA (US); **Sarah S. Happel**, Cumming,  
GA (US); **Basma A. Osman**, Roswell,  
GA (US); **John D. Mabry**, Seattle, WA  
(US); **Andrew J. Shapiro**, Shoreline,  
WA (US); **David H. Wykes**, Seattle, WA  
(US)
- (73) Assignee: **Kimberly-Clark Worldwide, Inc.**,  
Neenah, WI (US)

U.S. PATENT DOCUMENTS

D331,264	S	*	11/1992	Ellis	.....	D20/1
D376,949	S	*	12/1996	Barriault et al.	.....	D7/306
D456,663	S	*	5/2002	Chew	.....	D7/306
D482,227	S	*	11/2003	Walton	.....	D7/306
D671,346	S	*	11/2012	Zlatic et al.	.....	D6/545
2002/0162856	A1	*	11/2002	Sheridan et al.	.....	222/129
2008/0035241	A1	*	2/2008	Wittbold	.....	141/361

\* cited by examiner

*Primary Examiner* — Philip S Hyder  
*Assistant Examiner* — Sydney Buffalow  
(74) *Attorney, Agent, or Firm* — Nancy M. Klembus

(57) **CLAIM**

We claim the ornamental design for a hygiene products stand,  
as shown and described.

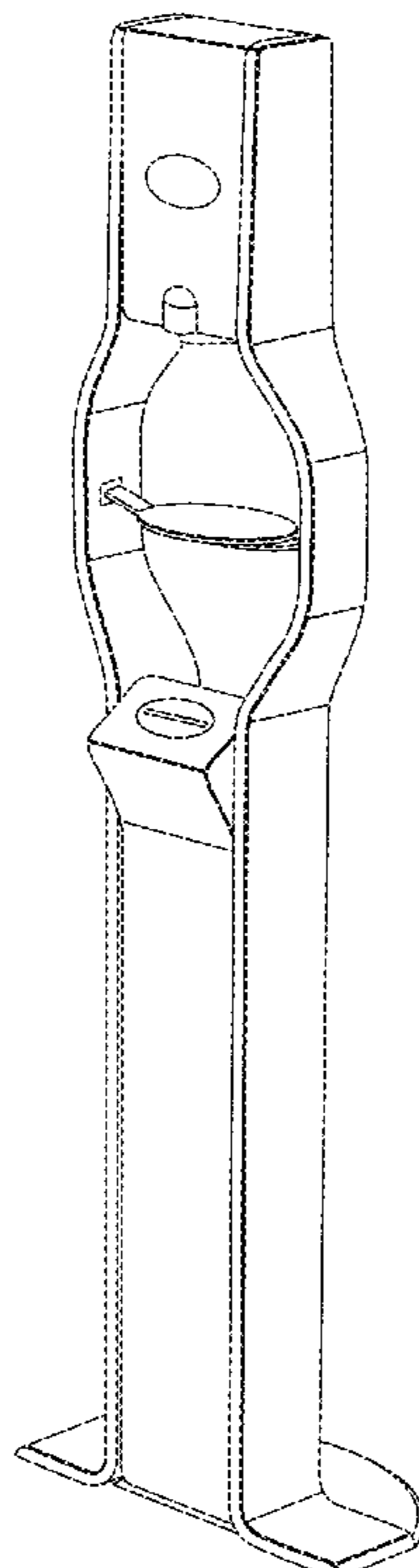
**DESCRIPTION**

FIG. 1 is a perspective view showing our new design of a hygiene products stand;  
FIG. 2 is a front side view of the hygiene products stand;  
FIG. 3 is a right side view of the hygiene products stand;  
FIG. 4 is a back view of the hygiene products stand;  
FIG. 5 is a left side view of the hygiene products stand;  
FIG. 6 is a top view of the hygiene products stand;  
FIG. 7 is a bottom view of the hygiene products stand;  
FIG. 8 is another perspective view of the hygiene products stand; and,  
FIG. 9 is yet another perspective view of the hygiene products stand.

- (\*\*) Term: **14 Years**
- (21) Appl. No.: **29/435,932**
- (22) Filed: **Oct. 31, 2012**
- (51) **LOC (9) Cl.** ..... **06-04**
- (52) **U.S. Cl.**  
USPC ..... **D6/396**
- (58) **Field of Classification Search**  
USPC .... D6/396, 397, 449, 545, 542, 535; D7/300,  
D7/306, 308, 311, 307; 222/95, 25, 129,  
222/146.6, 400.7, 156, 183, 108, 164; 141/361;  
D20/1; 211/13.1

See application file for complete search history.

**1 Claim, 8 Drawing Sheets**



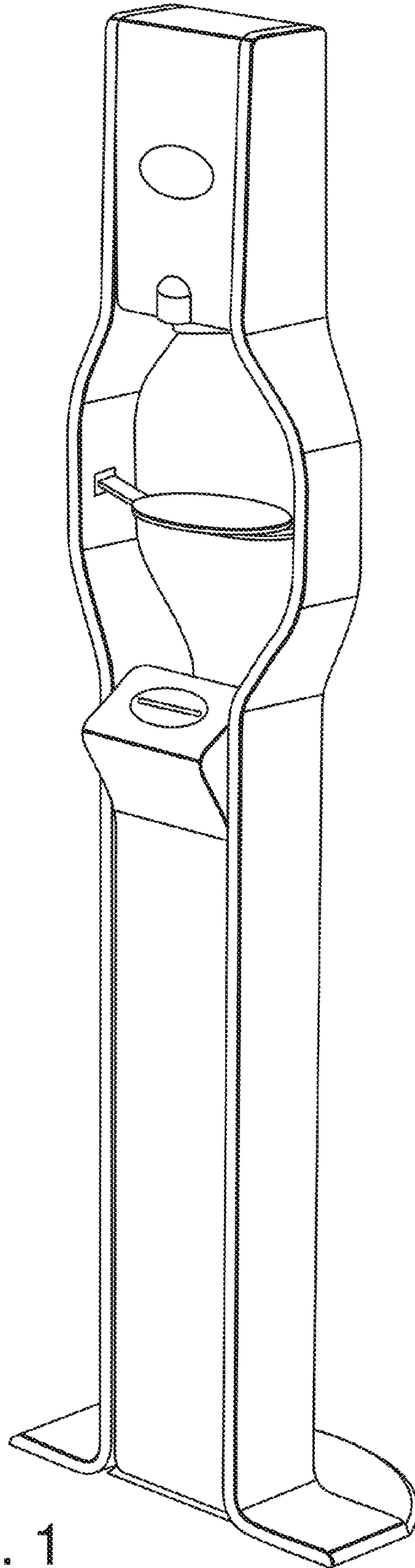


FIG. 1

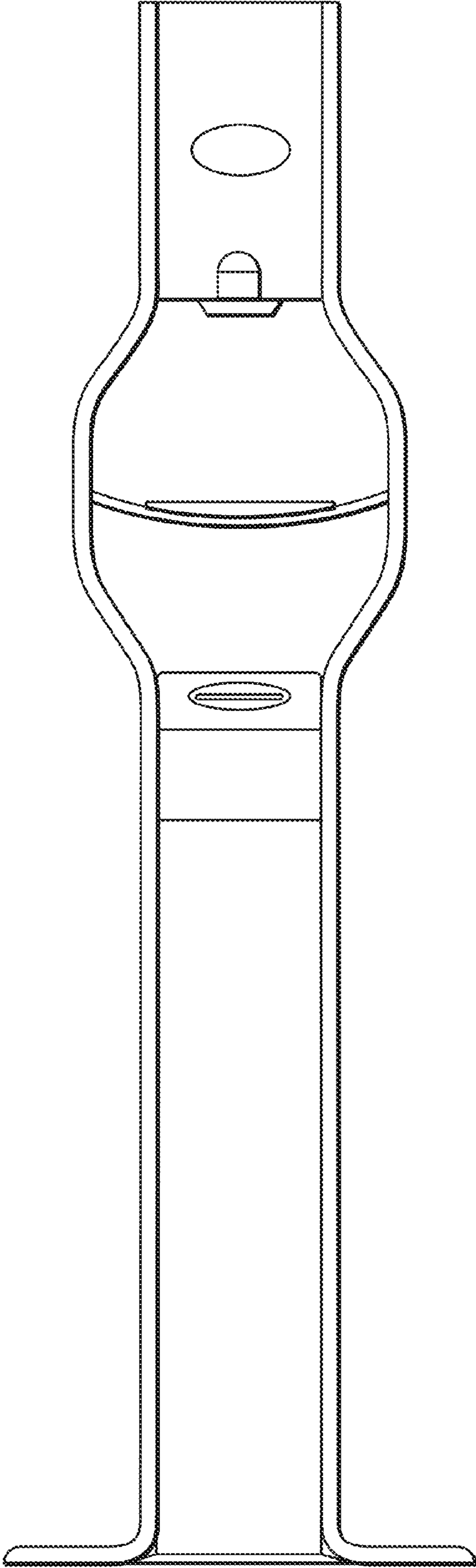


FIG. 2

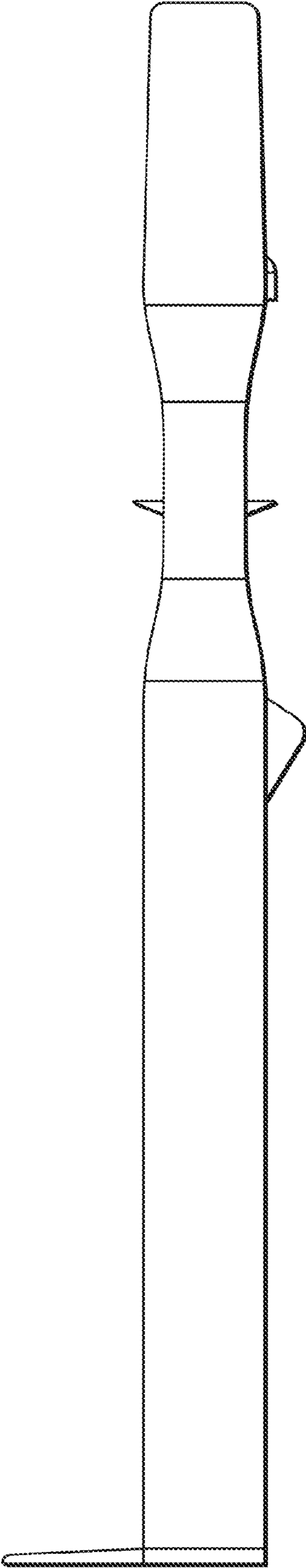


FIG. 3

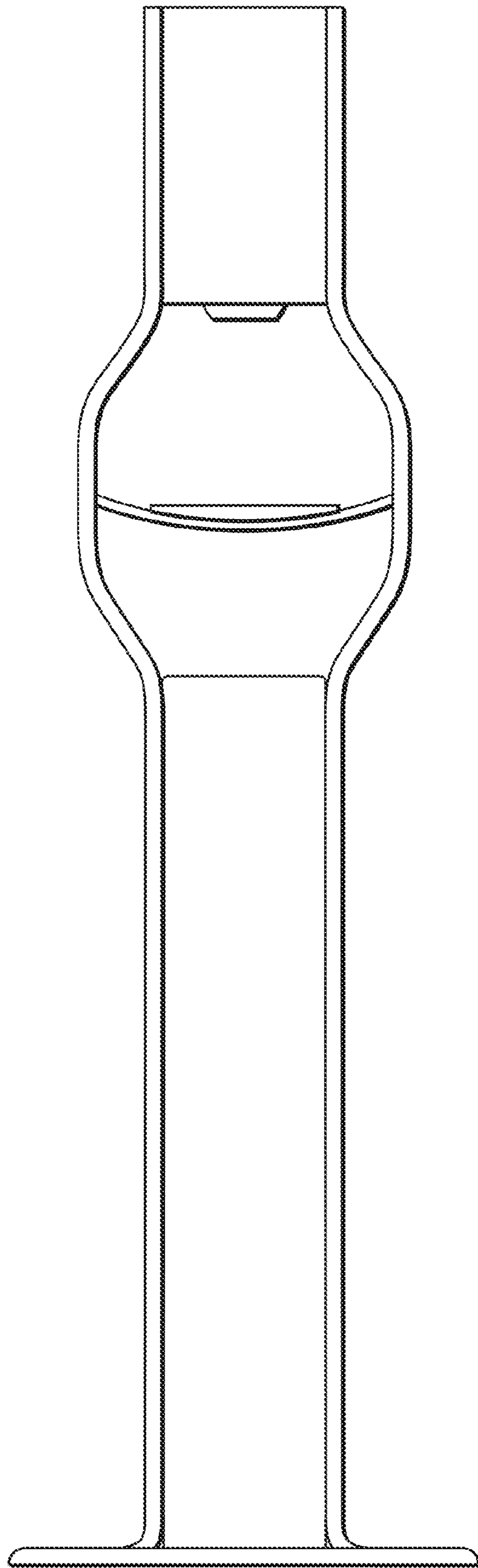


FIG. 4

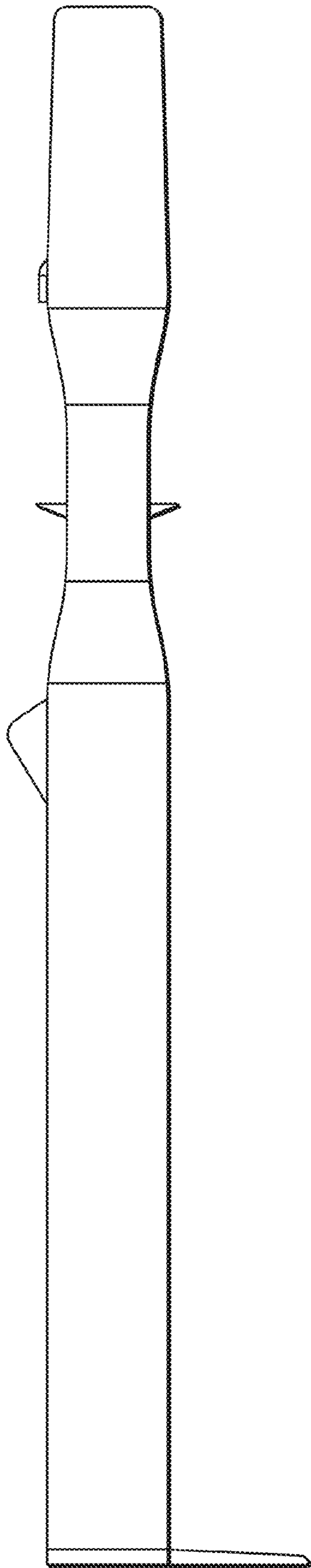


FIG. 5

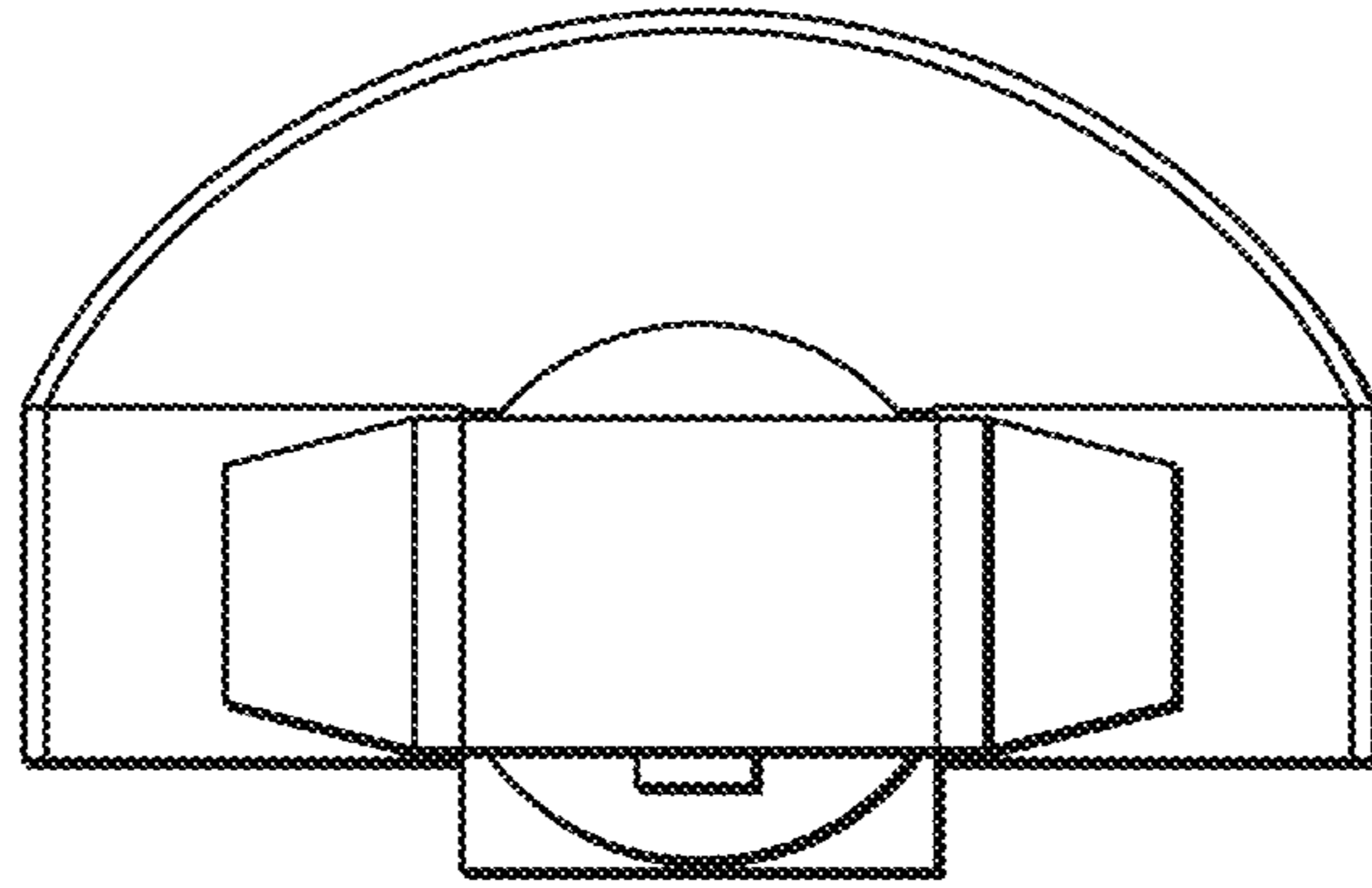


FIG. 6

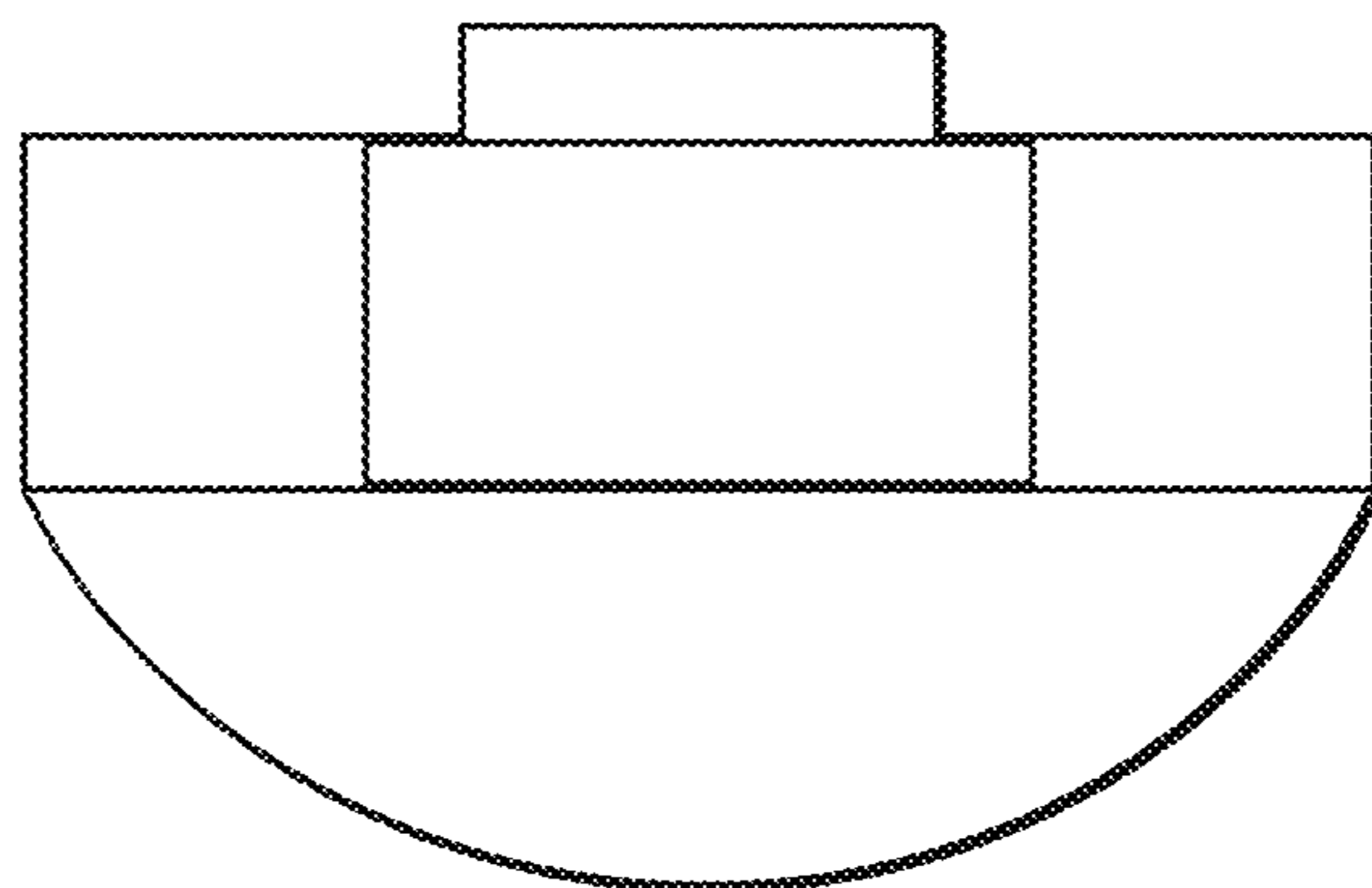


FIG. 7

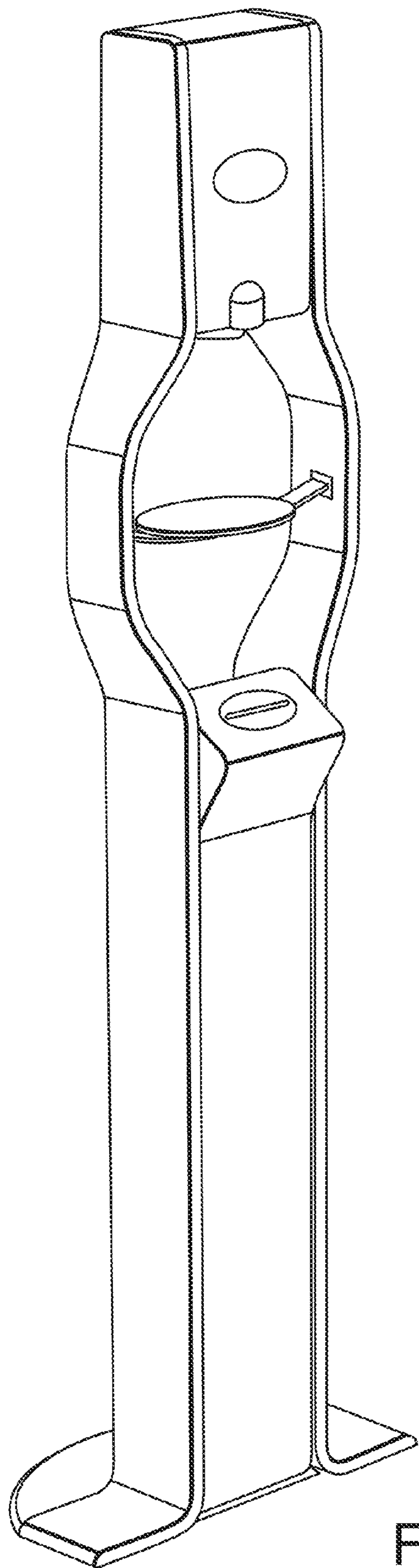


FIG. 8



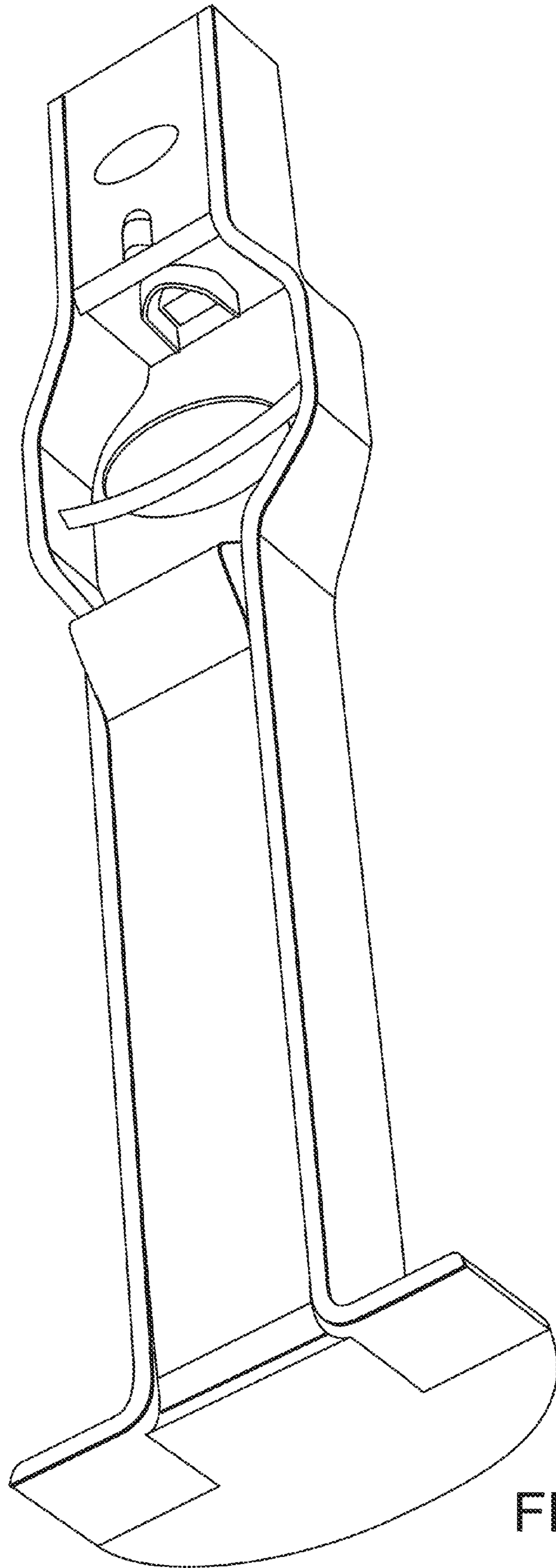


FIG. 9