



US00D686836S

(12) **United States Design Patent**
Mascetti et al.

(10) **Patent No.:** **US D686,836 S**
(45) **Date of Patent:** **** Jul. 30, 2013**

(54) **CHAIR**

D592,876 S * 5/2009 Smith et al. D6/380
D593,761 S * 6/2009 Kaloustian D6/374

(71) Applicant: **PS Furniture, Inc.**, Milwaukee, WI (US)

* cited by examiner

(72) Inventors: **Marco Mascetti**, Milan (IT); **Michele Menescardi**, Milan (IT)

Primary Examiner — Mimoso De

(74) *Attorney, Agent, or Firm* — Phillip E. Walker; Waddey & Patterson, P.C.

(73) Assignee: **PS Furniture, Inc.**, Milwaukee, WI (US)

(57) **CLAIM**

(**) Term: **14 Years**

What is claimed is the ornamental design for a chair, as shown and described.

(21) Appl. No.: **29/446,818**

DESCRIPTION

(22) Filed: **Feb. 27, 2013**

FIG. 1 is a front perspective view showing the chair of Applicant's invention.

(51) **LOC (9) Cl.** **06-01**

FIG. 2 is a side elevation view of the chair of Applicants' invention.

(52) **U.S. Cl.**

USPC **D6/376**

FIG. 3 is a front elevation of the chair of Applicants' invention.

(58) **Field of Classification Search**

USPC D6/334-336, 368, 369, 374, 375, D6/376, 379, 380, 716, 716.1, 716.2, 716.3, D6/716.48; 297/38, 40, 41, 55, 56, 58, 239, 297/411.27, 452.13, 452.29, 452.56

FIG. 4 is a back elevation of the chair of Applicants' invention.

FIG. 5 is a top view of the chair of Applicants' invention.

FIG. 6 is a bottom view of the chair of Applicants' invention; and,

See application file for complete search history.

FIG. 7 is a detailed view showing see-through mesh material as indicated in FIG. 3 by indicia 7.

It is understood that the fragmented mesh material on the backrest would be continuous throughout the circumscribed areas.

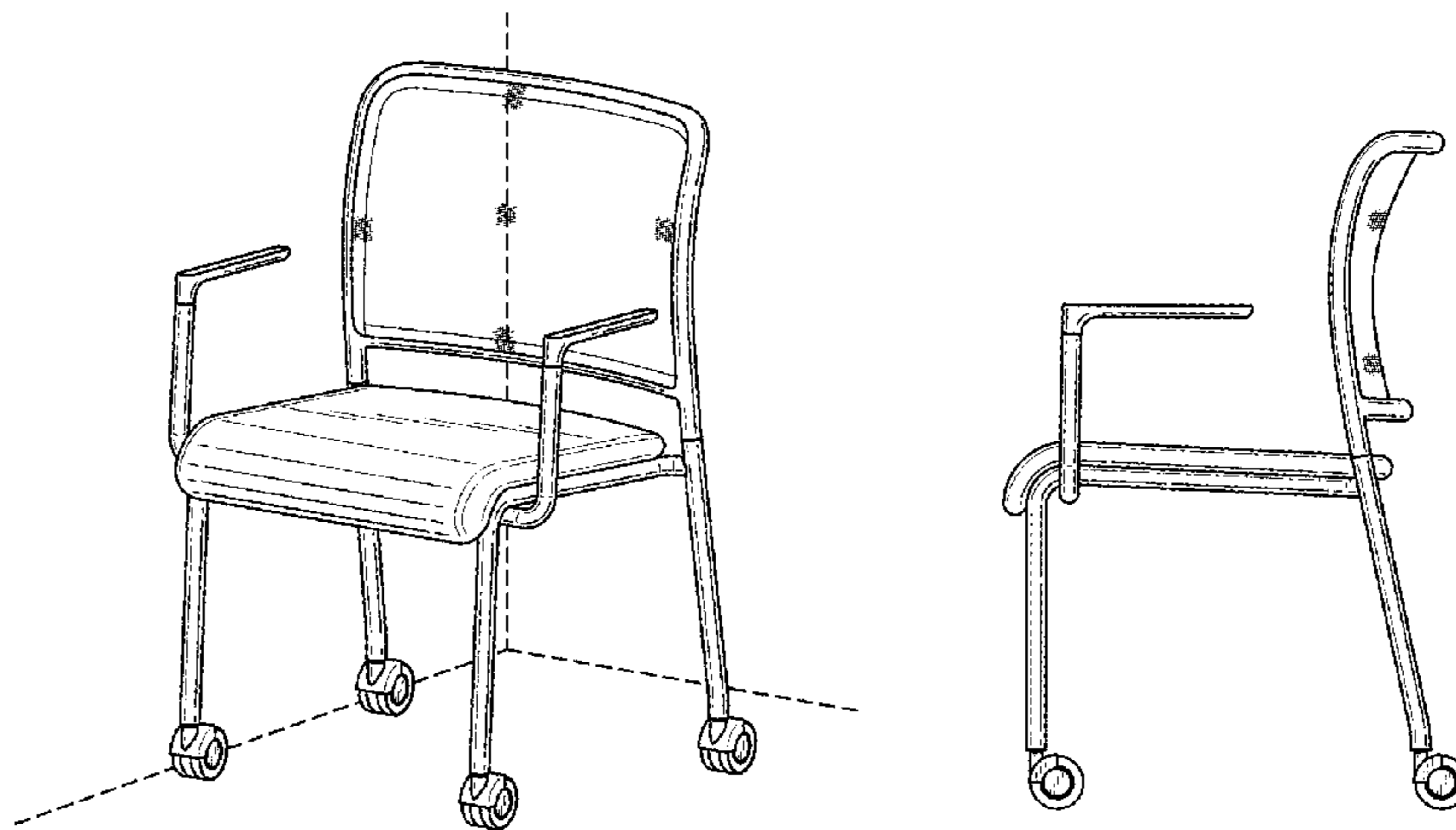
The broken line showing of the wall corner is included for the purpose of illustrating environmental structure and forms no part of the claimed design.

(56) **References Cited**

U.S. PATENT DOCUMENTS

D422,806 S *	4/2000	Neil	D6/379
D513,457 S *	1/2006	Asano et al.	D6/380
D513,902 S *	1/2006	Piretti	D6/380
D520,769 S *	5/2006	Bennett et al.	D6/379
D524,071 S *	7/2006	Brooks	D6/379

1 Claim, 3 Drawing Sheets



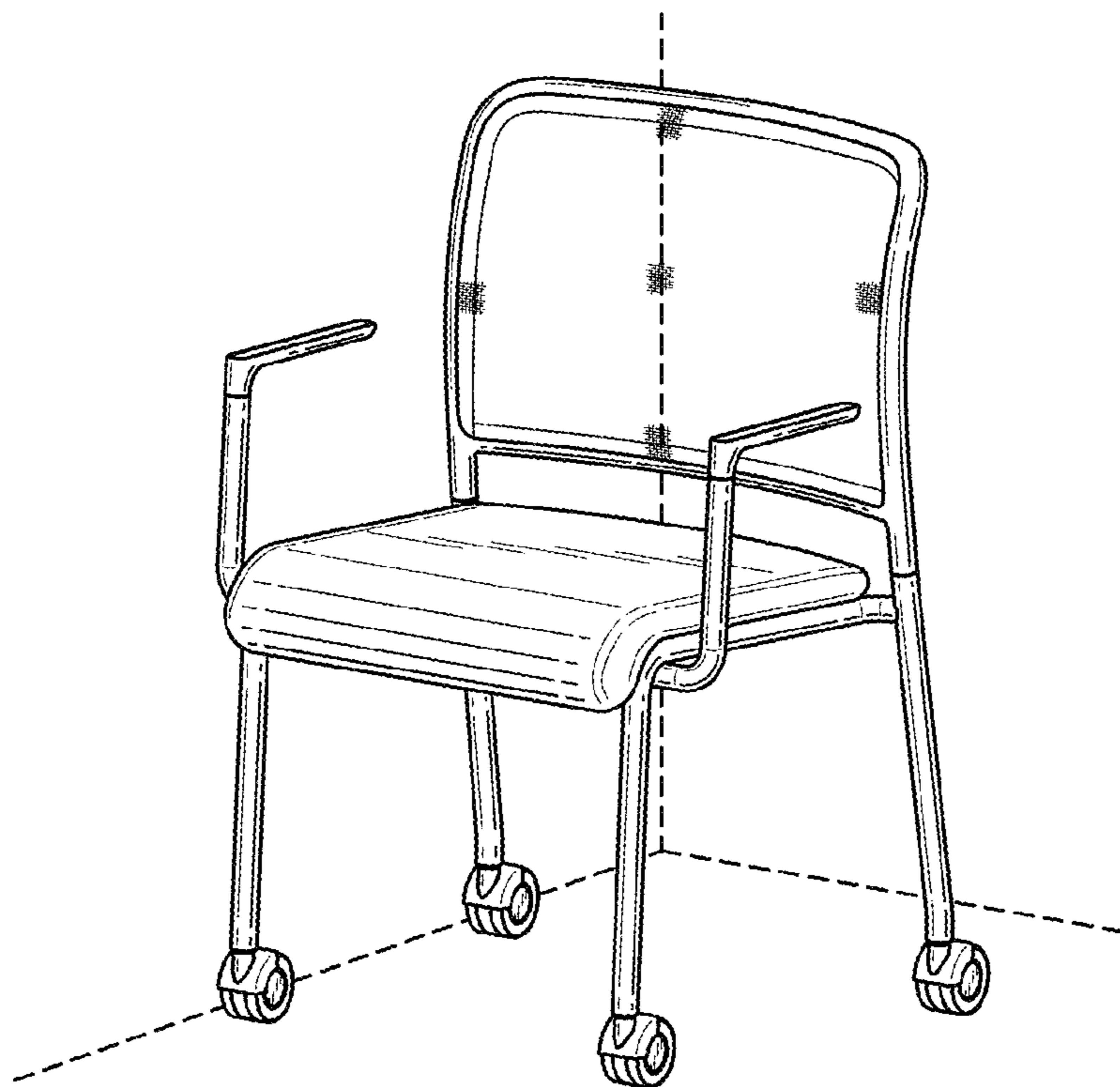


FIG. 1

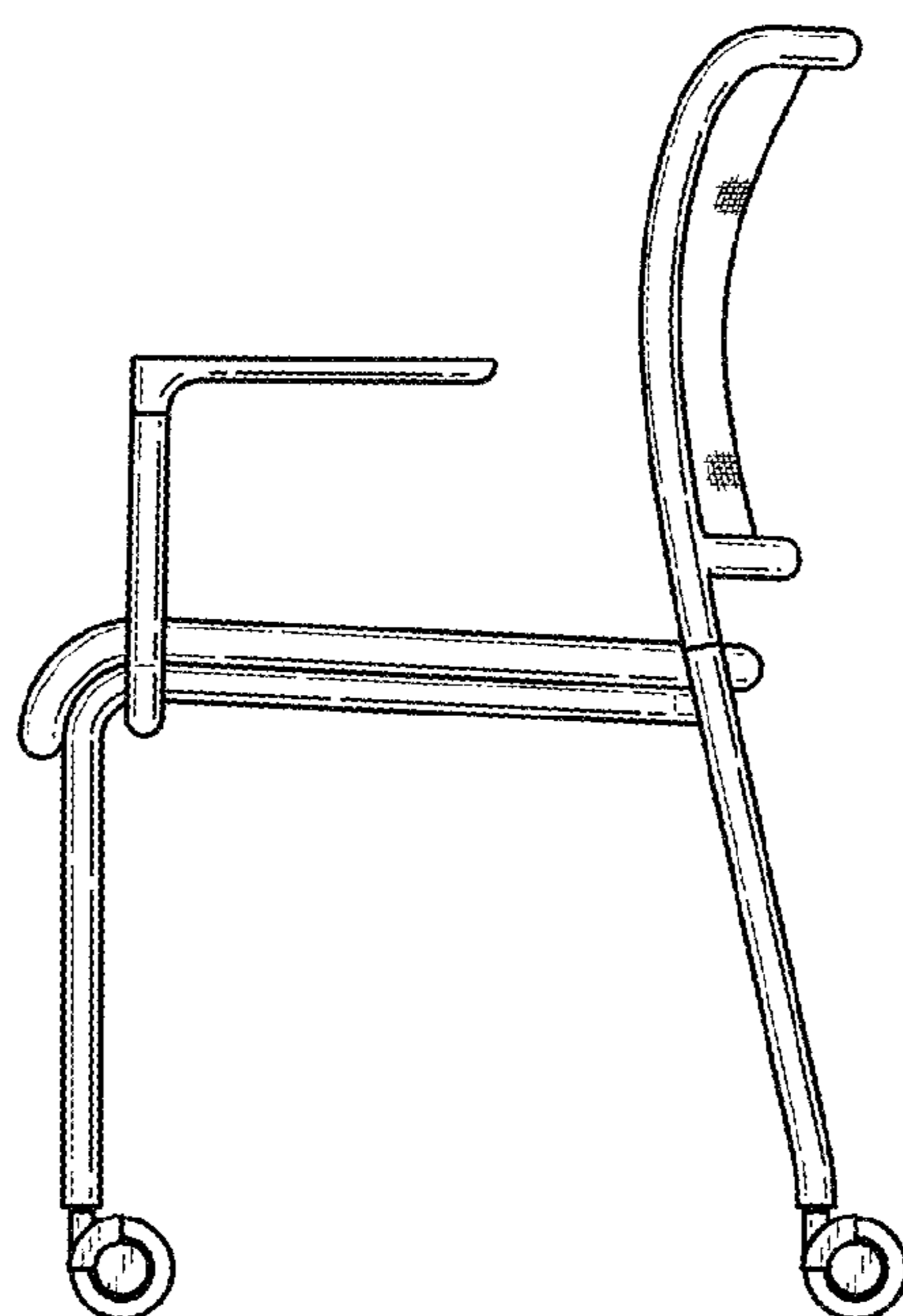


FIG. 2

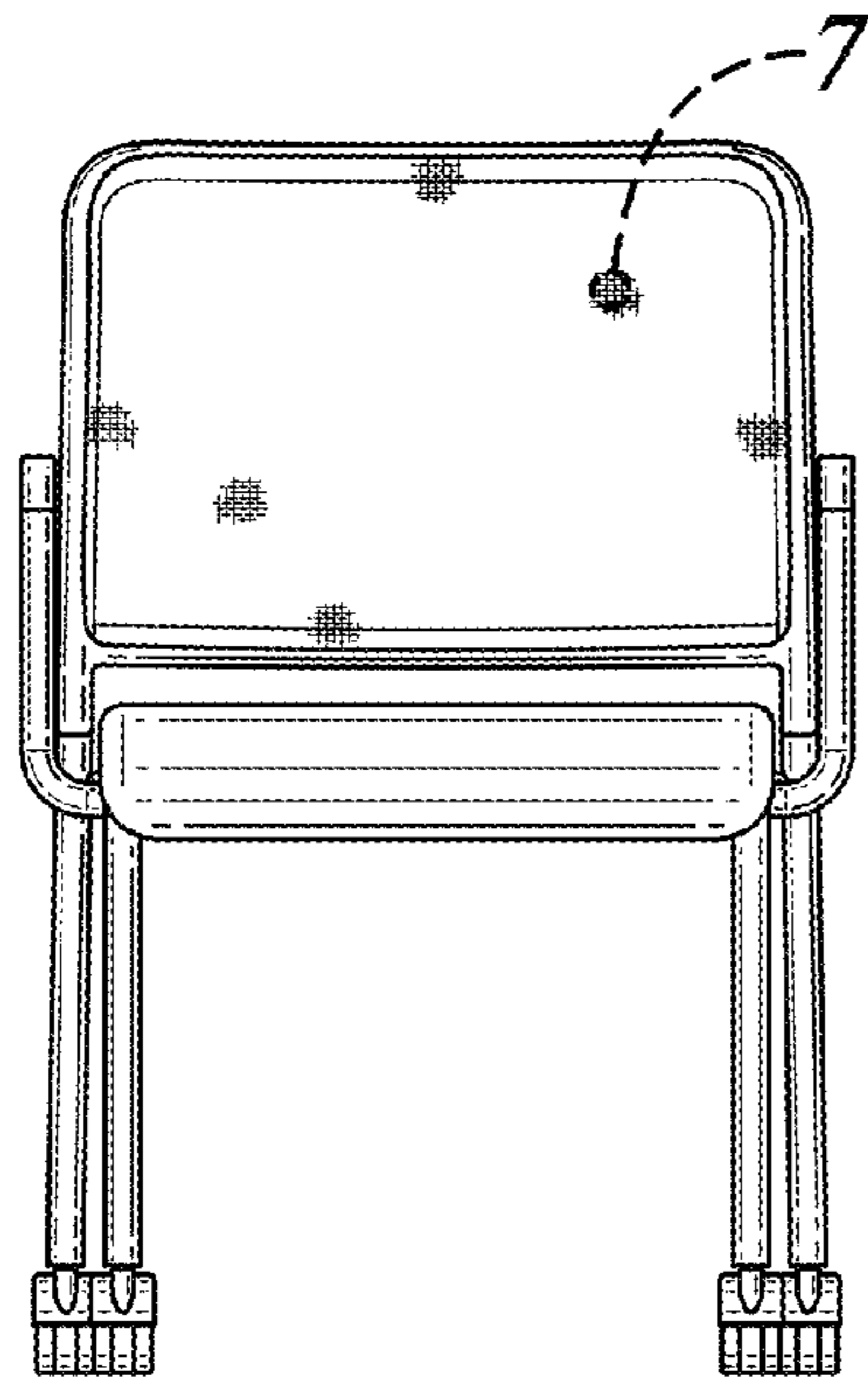


FIG. 3

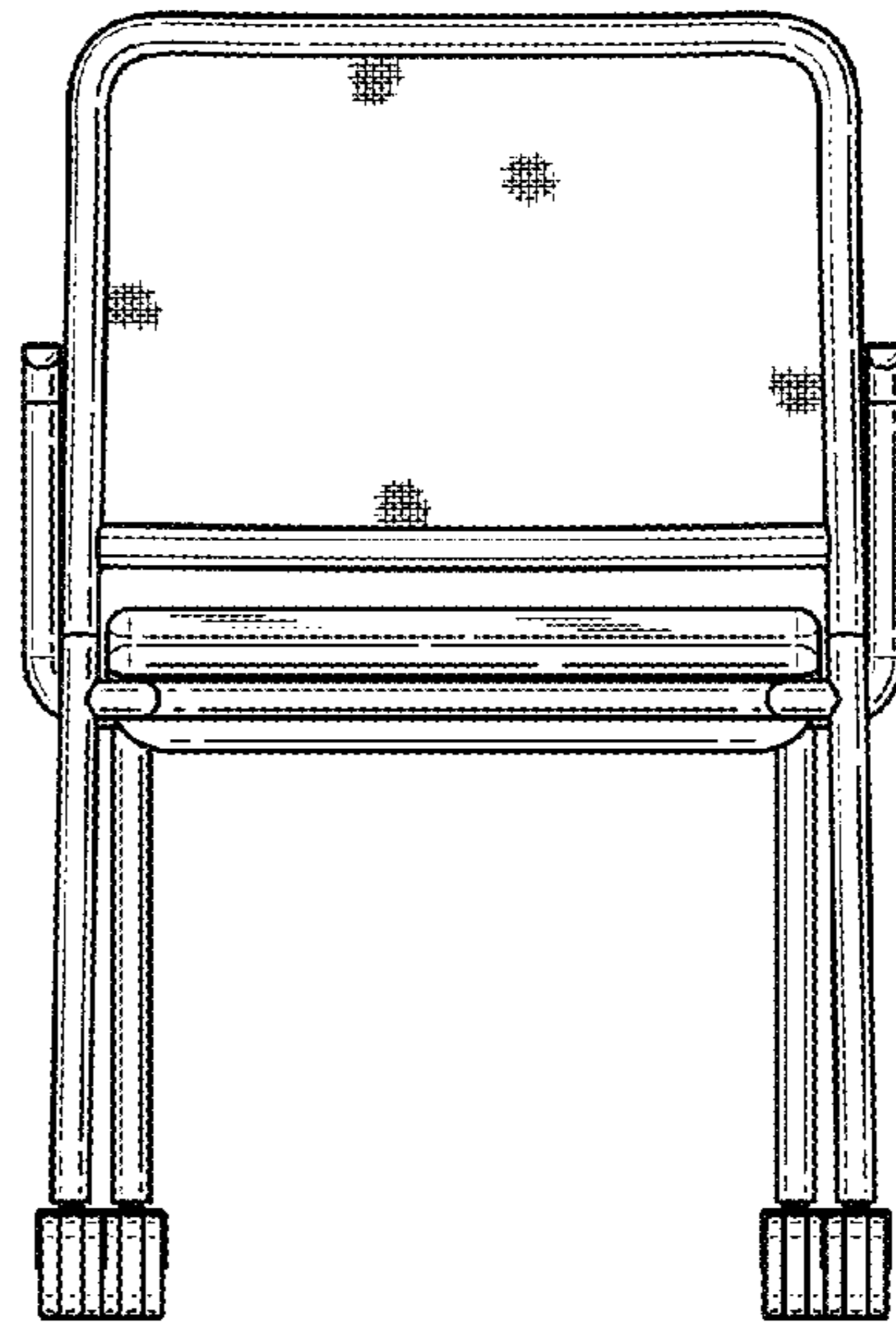


FIG. 4

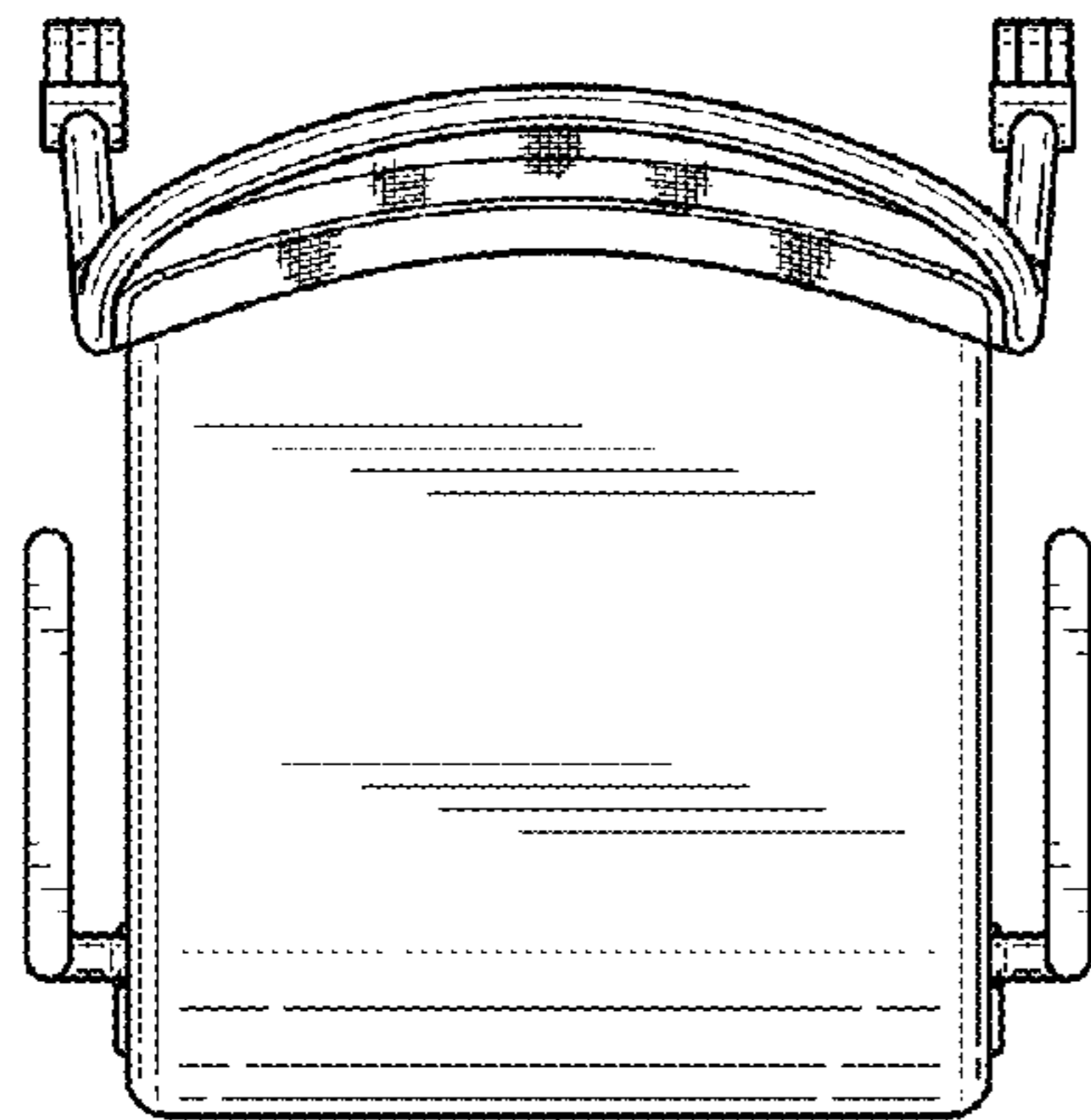


FIG. 5

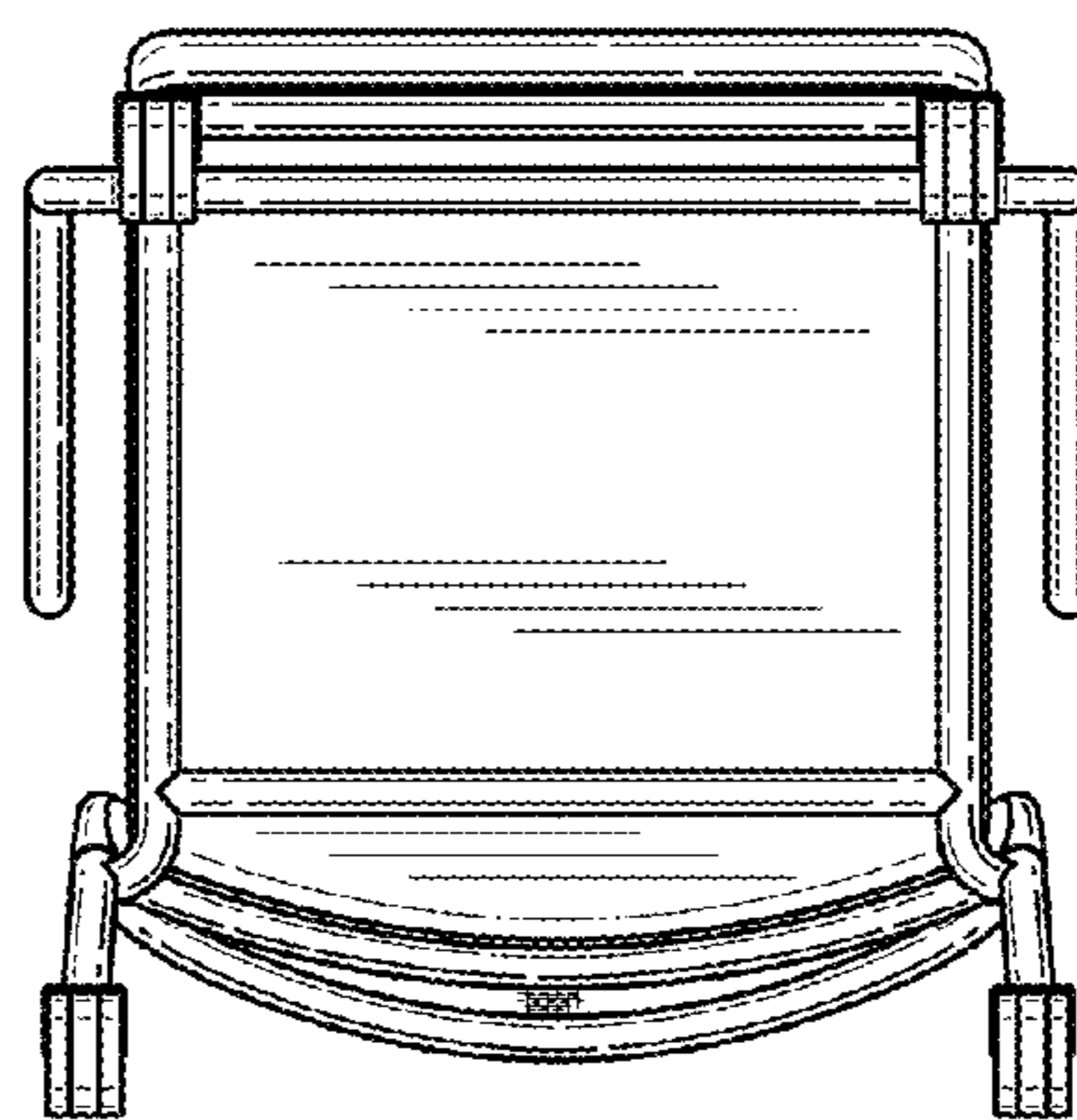


FIG. 6

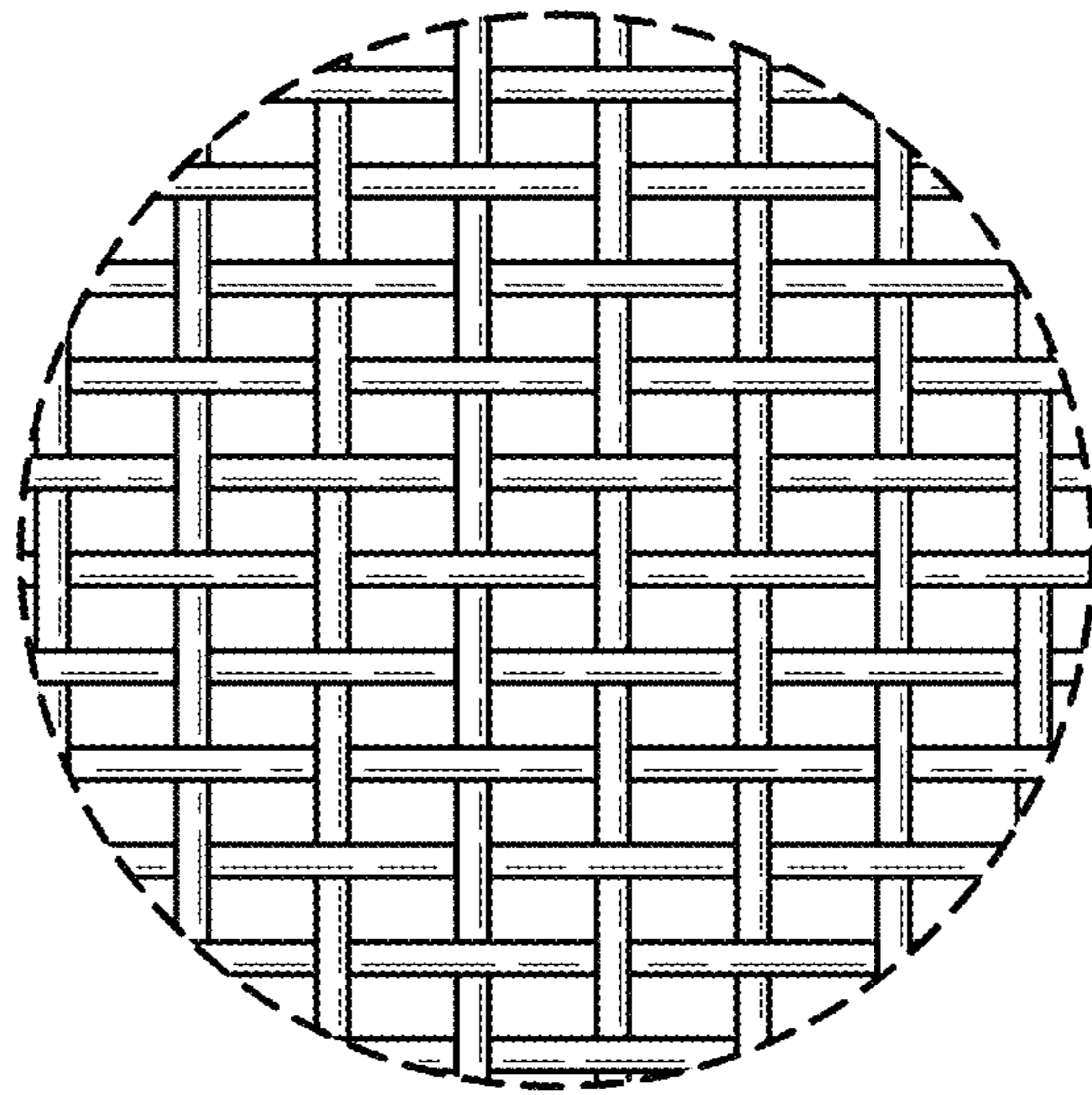


FIG. 7