



US00D686835S

(12) **United States Design Patent**
Mascetti et al.

(10) **Patent No.:** **US D686,835 S**
(45) **Date of Patent:** **** Jul. 30, 2013**

(54) **CHAIR**

(71) Applicant: **PS Furniture, Inc.**, Milwaukee, WI (US)

(72) Inventors: **Marco Mascetti**, Milan (IT); **Michele Menescardi**, Milan (IT)

(73) Assignee: **PS Furniture, Inc.**, Milwaukee, WI (US)

(**) Term: **14 Years**

(21) Appl. No.: **29/446,815**

(22) Filed: **Feb. 27, 2013**

(51) **LOC (9) Cl.** **06-01**

(52) **U.S. Cl.**
USPC **D6/376**

(58) **Field of Classification Search**

USPC D6/334-336, 368, 369, 374, 375,
D6/376, 379, 380, 716, 716.1, 716.2, 716.3,
D6/716.48; 297/38, 40, 41, 55, 56, 58, 239,
297/411.27, 452.13, 452.29, 452.56

See application file for complete search history.

(56) **References Cited**

U.S. PATENT DOCUMENTS

D440,784 S *	4/2001	Ambasz	D6/368
D446,661 S *	8/2001	Ambasz	D6/368
D464,495 S *	10/2002	Chu	D6/374
D475,211 S *	6/2003	Neil	D6/374
6,755,468 B1 *	6/2004	Pan	297/239
D495,891 S *	9/2004	Ambasz	D6/374
D558,999 S *	1/2008	Cantarutti et al.	D6/368
D592,876 S *	5/2009	Smith et al.	D6/380
D605,867 S *	12/2009	Lu	D6/368
D612,164 S *	3/2010	Lucci et al.	D6/368
D664,785 S *	8/2012	Fletcher et al.	D6/376

2008/0315645 A1 *	12/2008	Hock	297/239
2010/0194160 A1 *	8/2010	Machael et al.	297/239
2010/0327643 A1 *	12/2010	Lucci et al.	297/239
2012/0313411 A1 *	12/2012	Fletcher et al.	297/239

* cited by examiner

Primary Examiner — Mimoso De

(74) *Attorney, Agent, or Firm* — Phillip E. Walker; Waddey & Patterson, P.C.

(57) **CLAIM**

What is claimed is the ornamental design for a chair, as shown and described.

DESCRIPTION

FIG. 1 is a front perspective view showing the chair of Applicant's invention.

FIG. 2 is a side elevation view of the chair of Applicants' invention.

FIG. 3 is a front elevation of the chair of Applicants' invention.

FIG. 4 is a back elevation of the chair of Applicants' invention.

FIG. 5 is a top view of the chair of Applicants' invention.

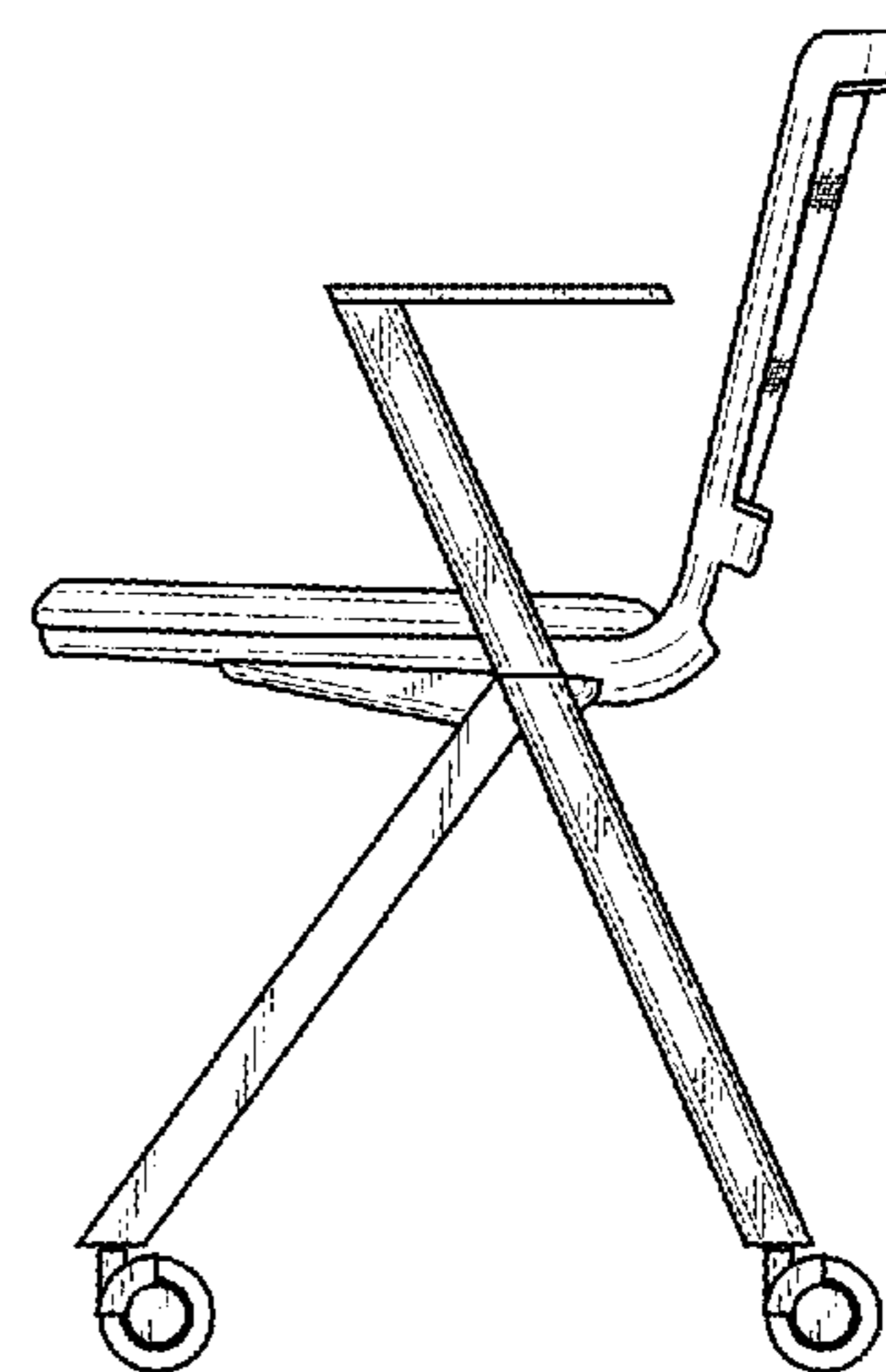
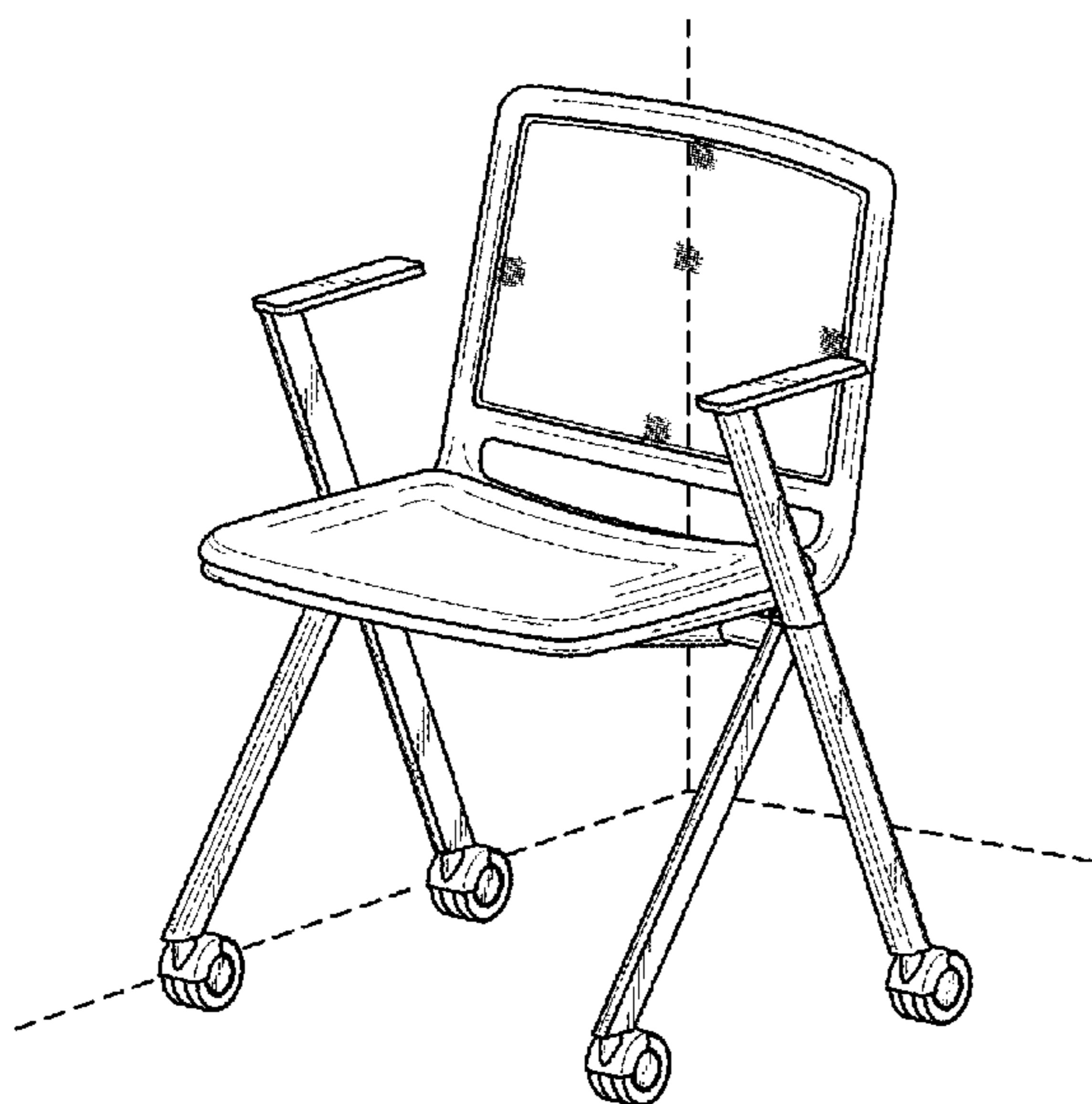
FIG. 6 is a bottom view of the chair of Applicants' invention; and,

FIG. 7 is a detailed view showing see-through mesh material as indicated in FIG. 3 by indicia 7.

It is understood that the fragmented mesh material on the backrest would be continuous throughout the circumscribed areas.

The broken line showing of the wall corner is included for the purpose of illustrating environmental structure and forms no part of the claimed design.

1 Claim, 3 Drawing Sheets



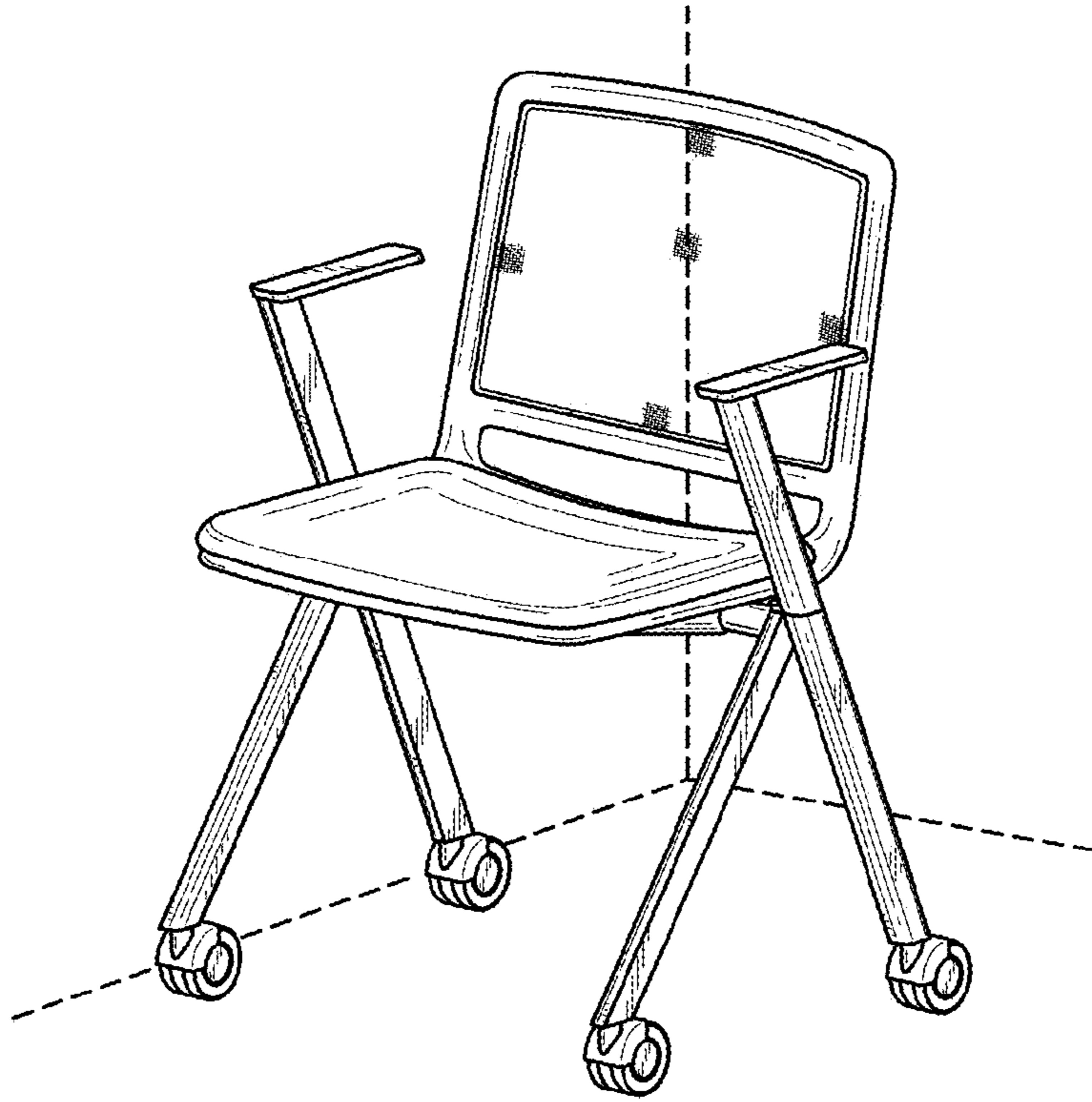


FIG. 1

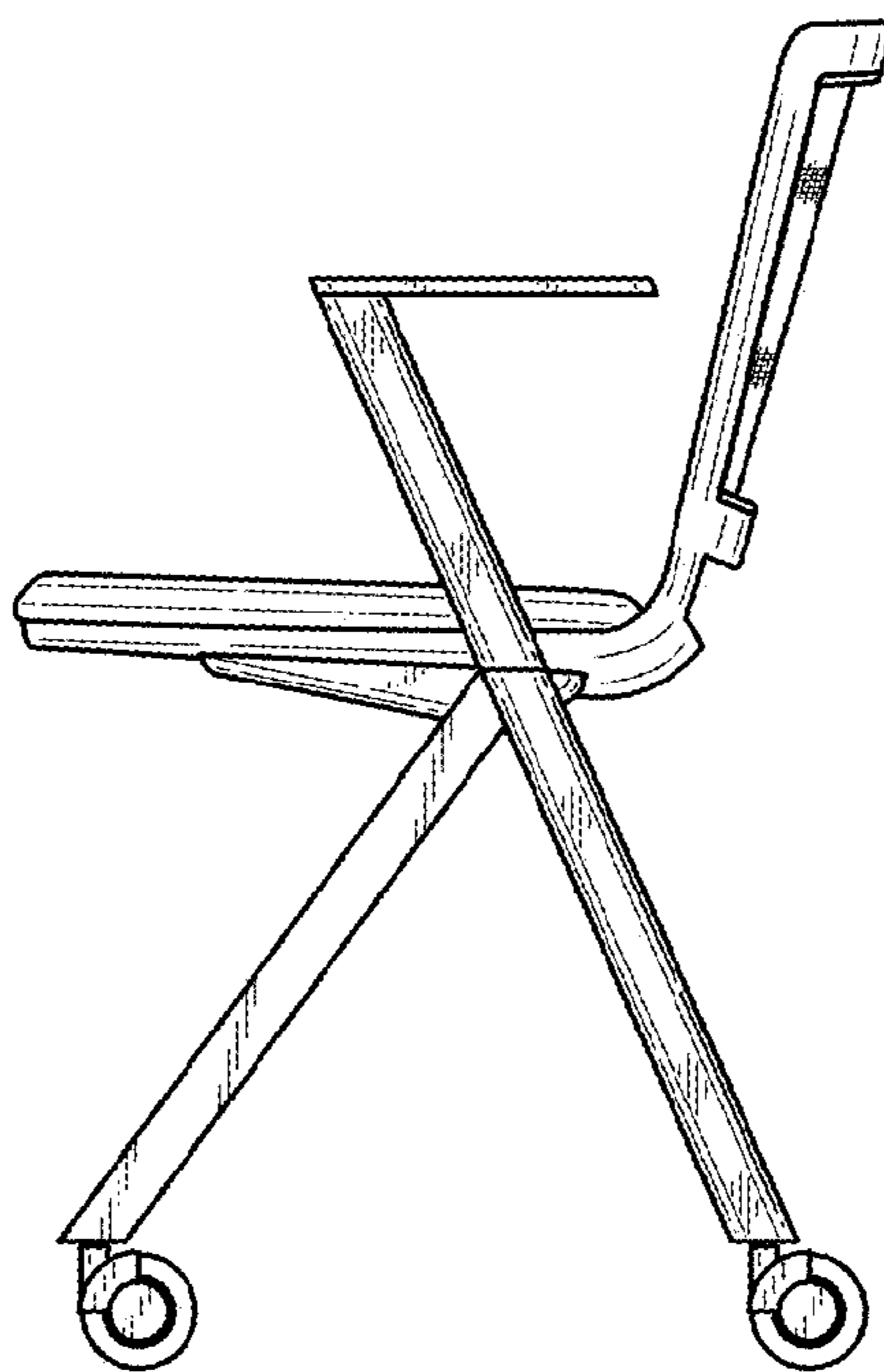


FIG. 2

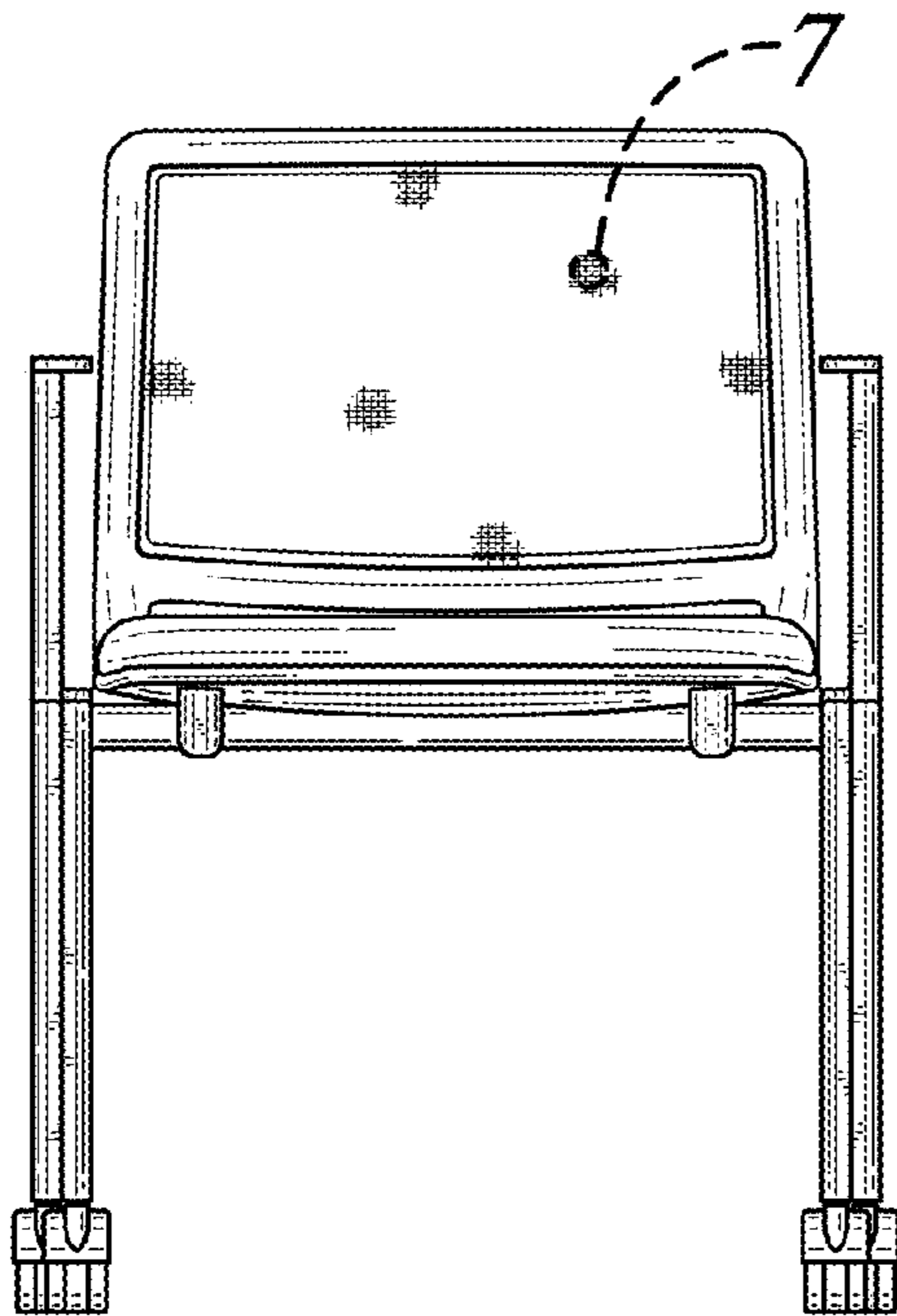


FIG. 3

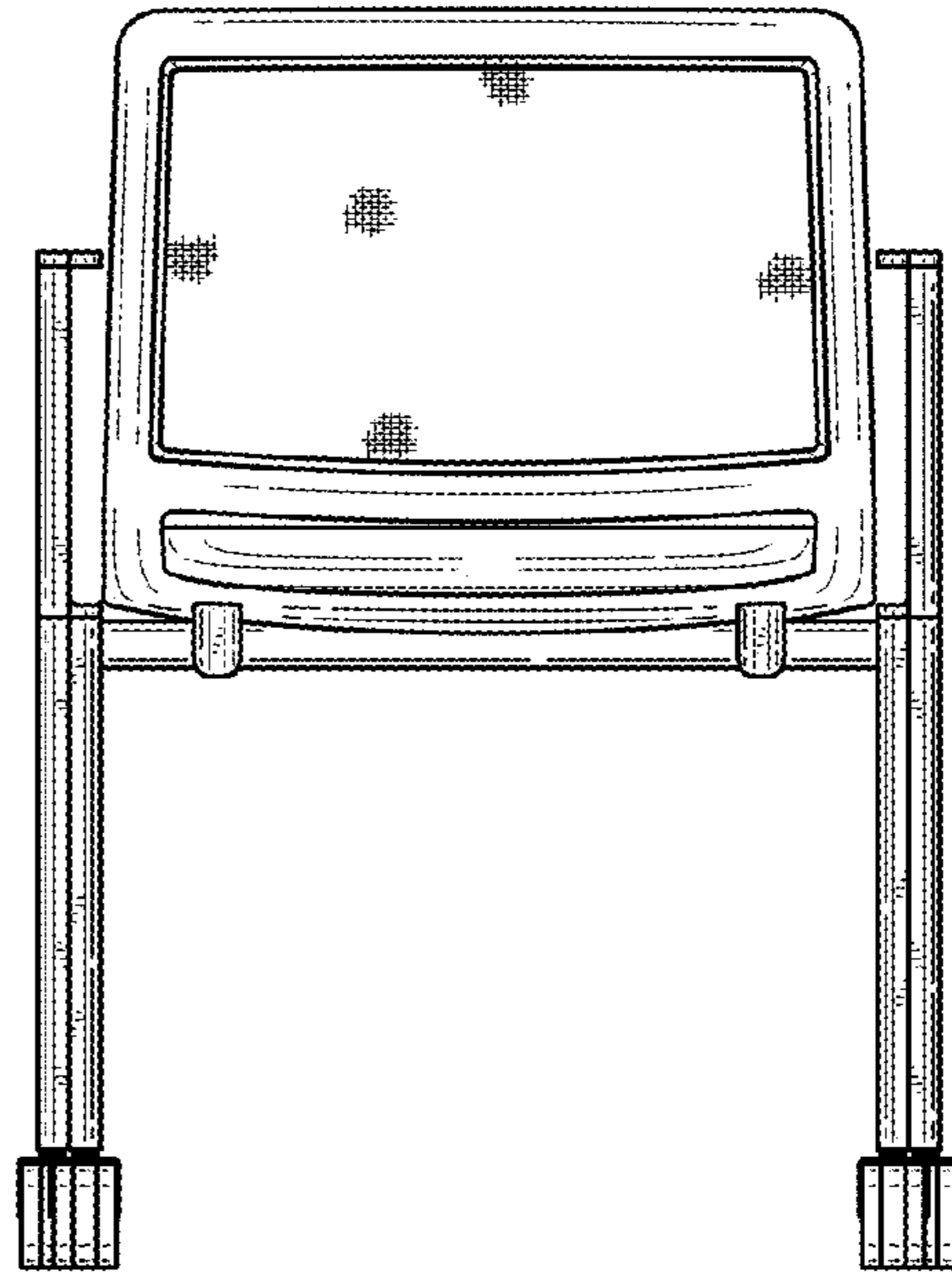


FIG. 4

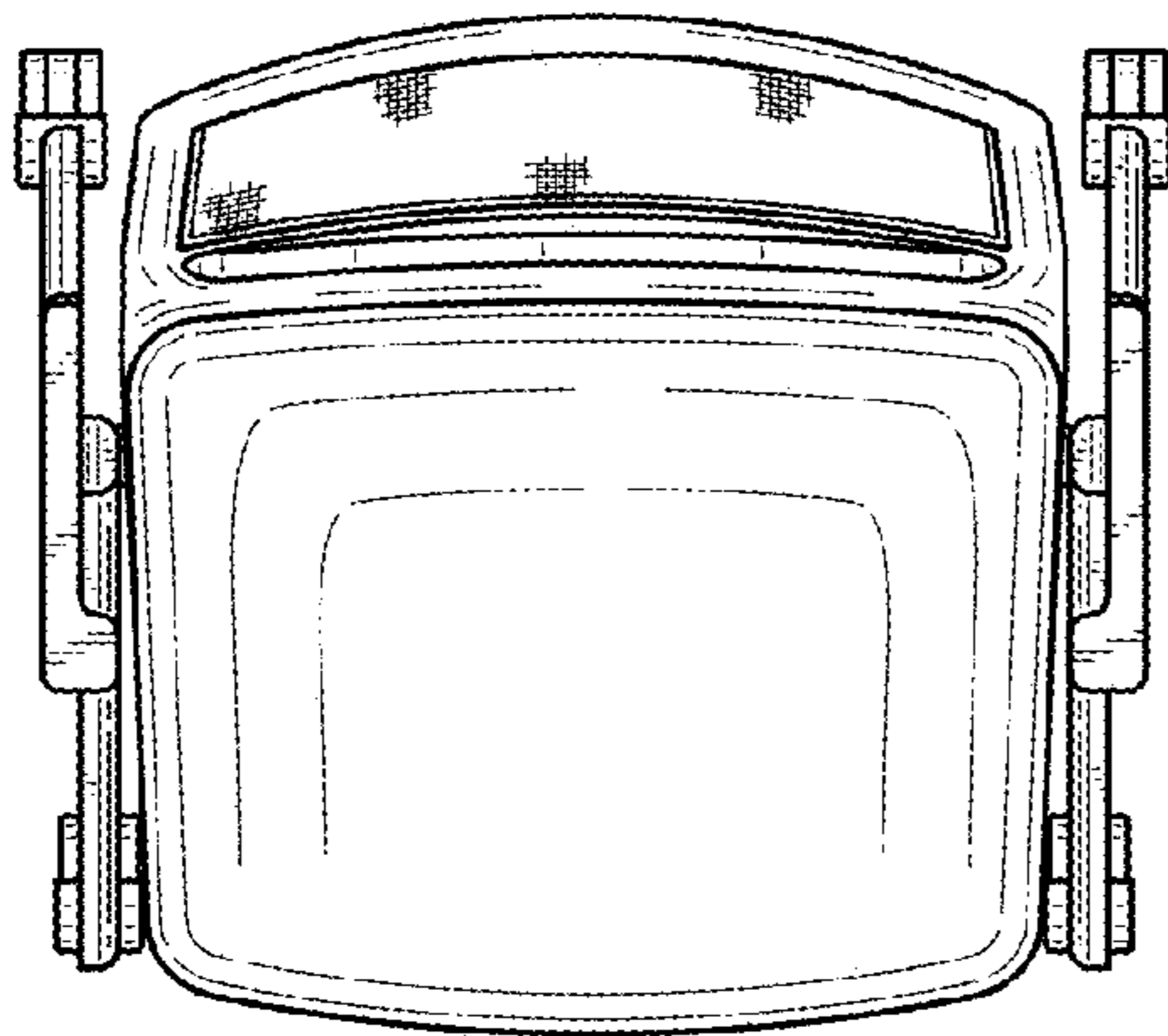


FIG. 5

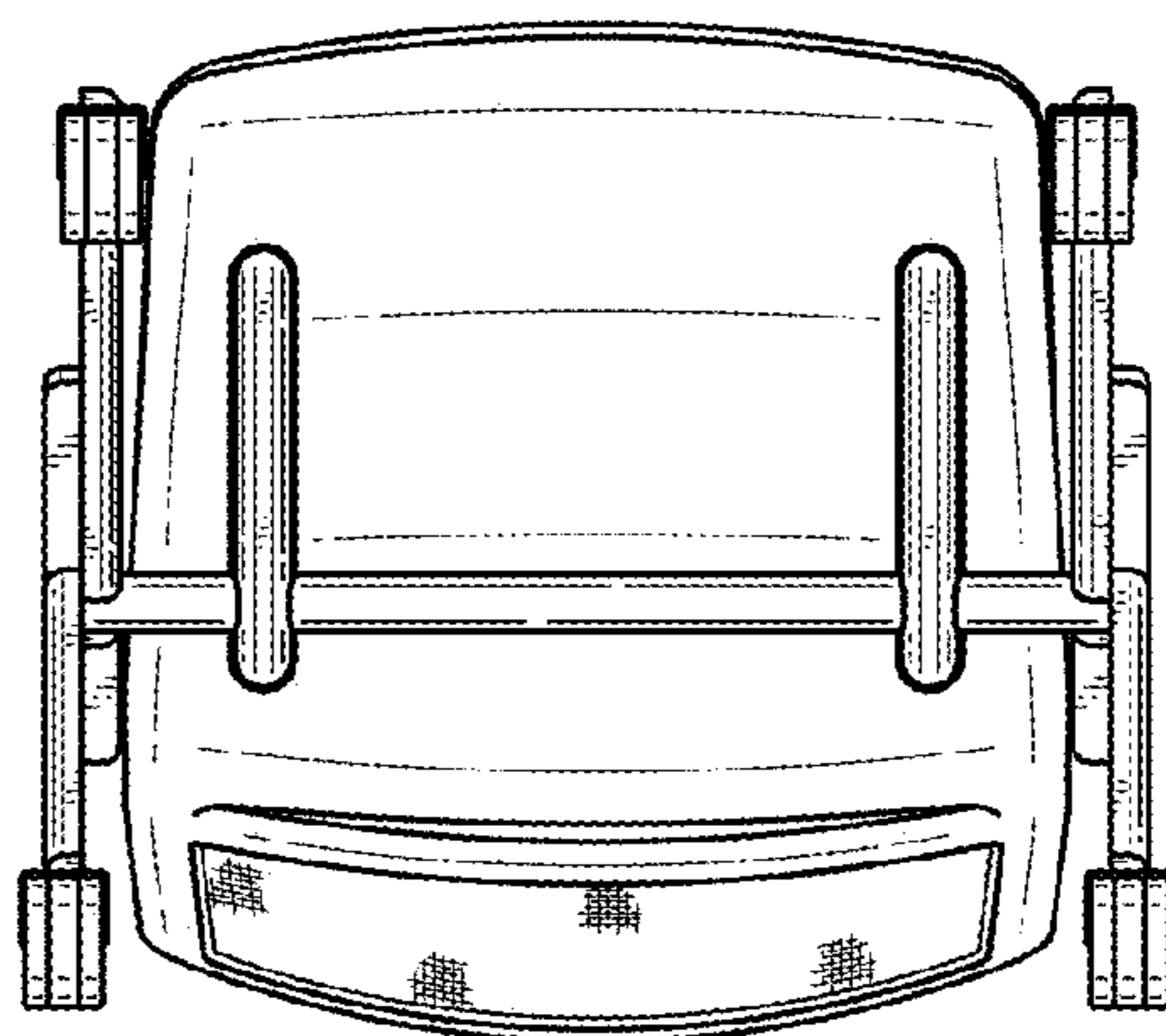


FIG. 6

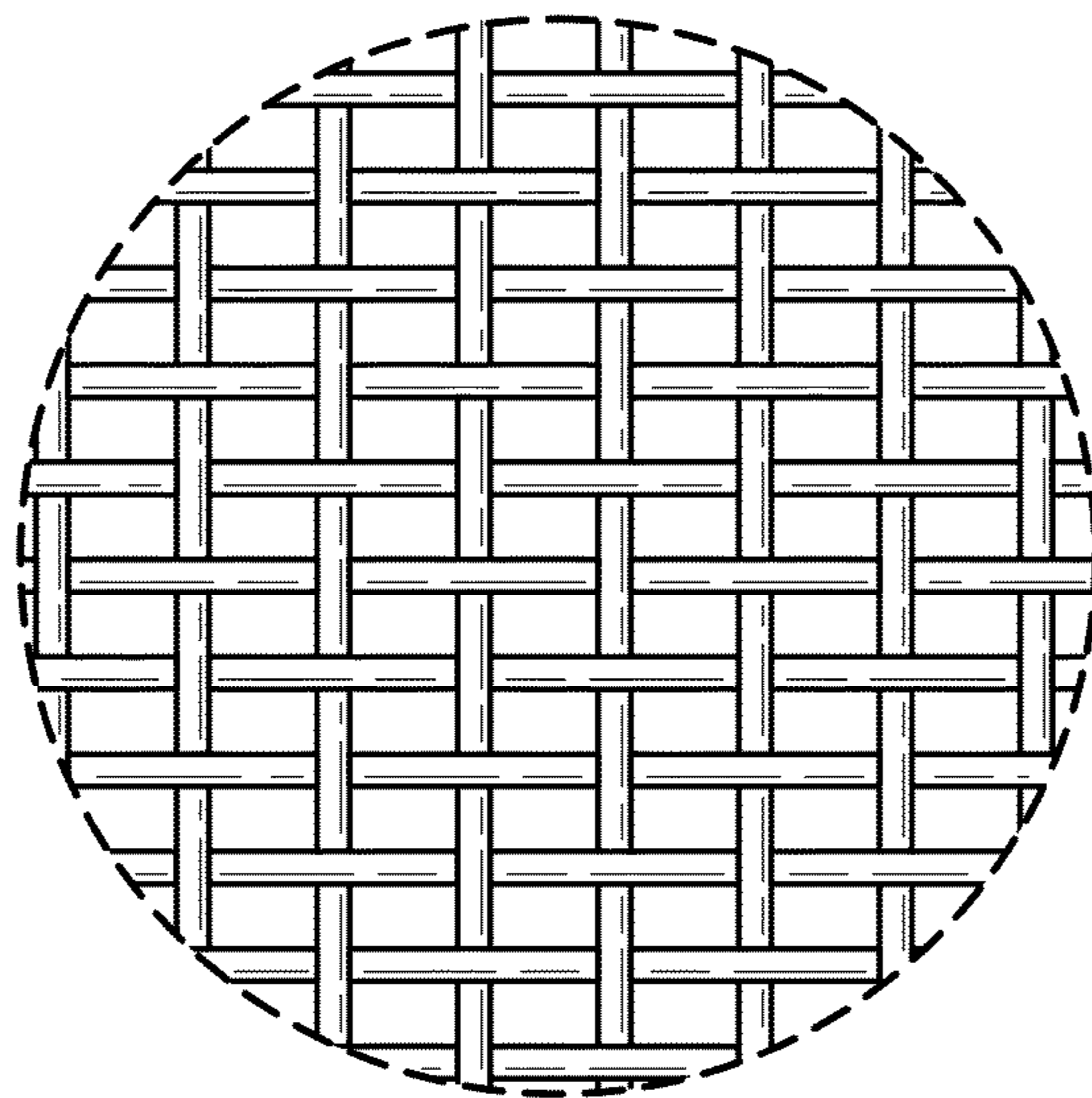


FIG. 7