



US00D686834S

(12) **United States Design Patent**
Mascetti et al.

(10) **Patent No.:** **US D686,834 S**

(45) **Date of Patent:** **** Jul. 30, 2013**

(54) **CHAIR**

(71) Applicant: **PS Furniture, Inc.**, Milwaukee, WI (US)

(72) Inventors: **Marco Mascetti**, Milan (IT); **Michele Menescardi**, Milan (IT)

(73) Assignee: **PS Furniture, Inc.**, Milwaukee, WI (US)

(**) Term: **14 Years**

(21) Appl. No.: **29/446,814**

(22) Filed: **Feb. 27, 2013**

(51) **LOC (9) Cl.** **06-01**

(52) **U.S. Cl.**
USPC **D6/376**

(58) **Field of Classification Search**
USPC D6/334-336, 368, 369, 374, 375,
D6/376, 379, 380, 716, 716.1, 716.2, 716.3,
D6/716.48; 297/38, 40, 41, 55, 56, 58, 239,
297/452.13, 452.29, 452.56
See application file for complete search history.

(56) **References Cited**

U.S. PATENT DOCUMENTS

D435,977	S *	1/2001	Ambasz	D6/368
D469,971	S *	2/2003	Piretti	D6/374
6,669,281	B1 *	12/2003	Huang	297/58
D605,421	S *	12/2009	Baldanzi	D6/368
D648,554	S *	11/2011	Smith	D6/368
8,317,269	B2 *	11/2012	Smith	297/239
8,322,787	B2 *	12/2012	Smith	297/239
2003/0090137	A1 *	5/2003	Piretti	297/239

* cited by examiner

Primary Examiner — Mimosa De

(74) *Attorney, Agent, or Firm* — Phillip E. Walker; Waddey & Patterson, P.C.

(57) **CLAIM**

What is claimed is the ornamental design for a chair, as shown and described.

DESCRIPTION

FIG. 1 is a front perspective view showing the chair of Applicant's invention.

FIG. 2 is a side elevation view of the chair of Applicants' invention.

FIG. 3 is a front elevation of the chair of Applicants' invention.

FIG. 4 is a back elevation of the chair of Applicants' invention.

FIG. 5 is a top view of the chair of Applicants' invention.

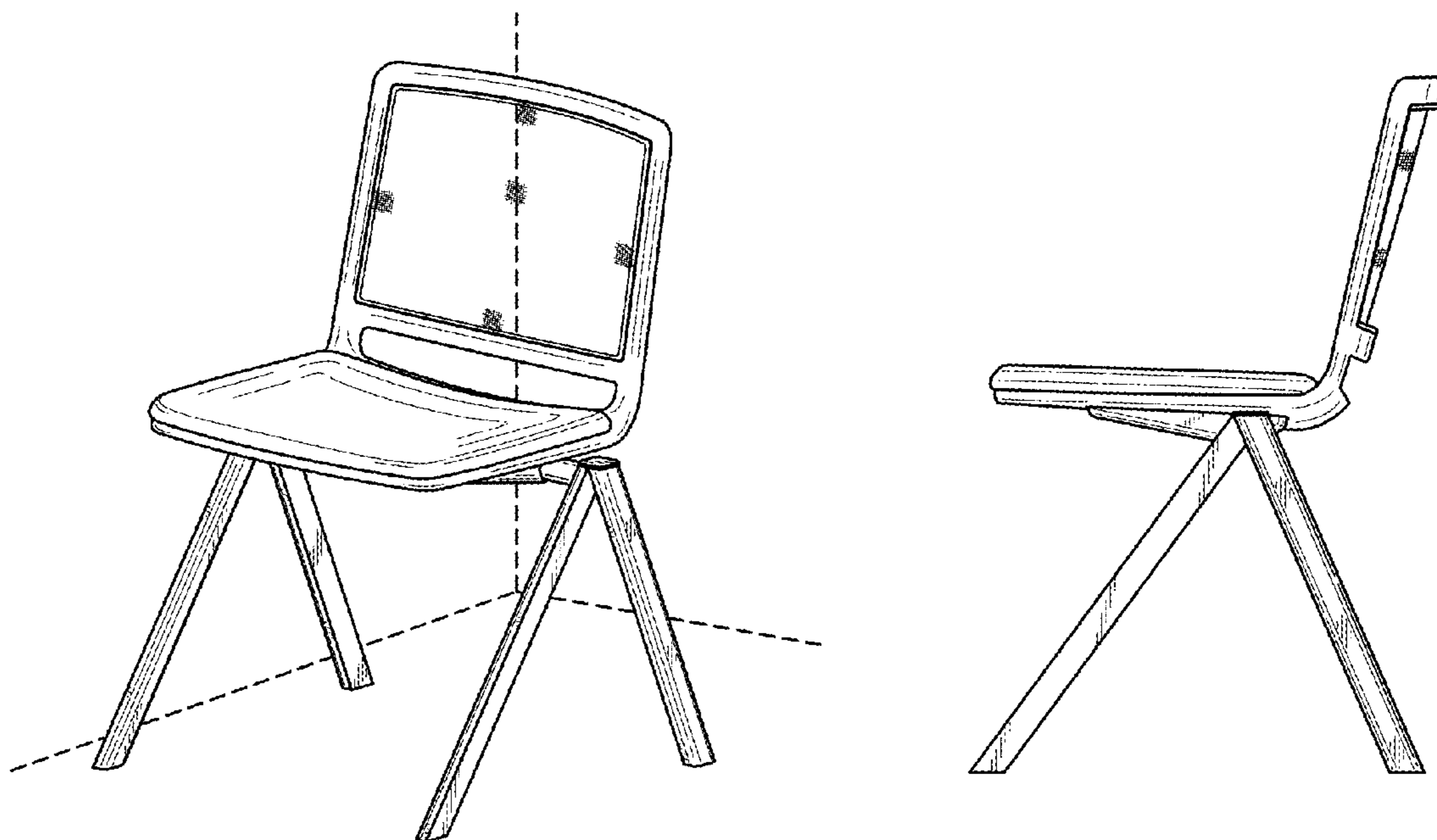
FIG. 6 is a bottom view of the chair of Applicants' invention; and,

FIG. 7 is a detailed view showing see-through mesh material as indicated in FIG. 3 by indicia 7.

It is understood that the fragmented mesh material on the backrest would be continuous throughout the circumscribed areas.

The broken line showing of the wall corner is included for the purpose of illustrating environmental structure and forms no part of the claimed design.

1 Claim, 3 Drawing Sheets



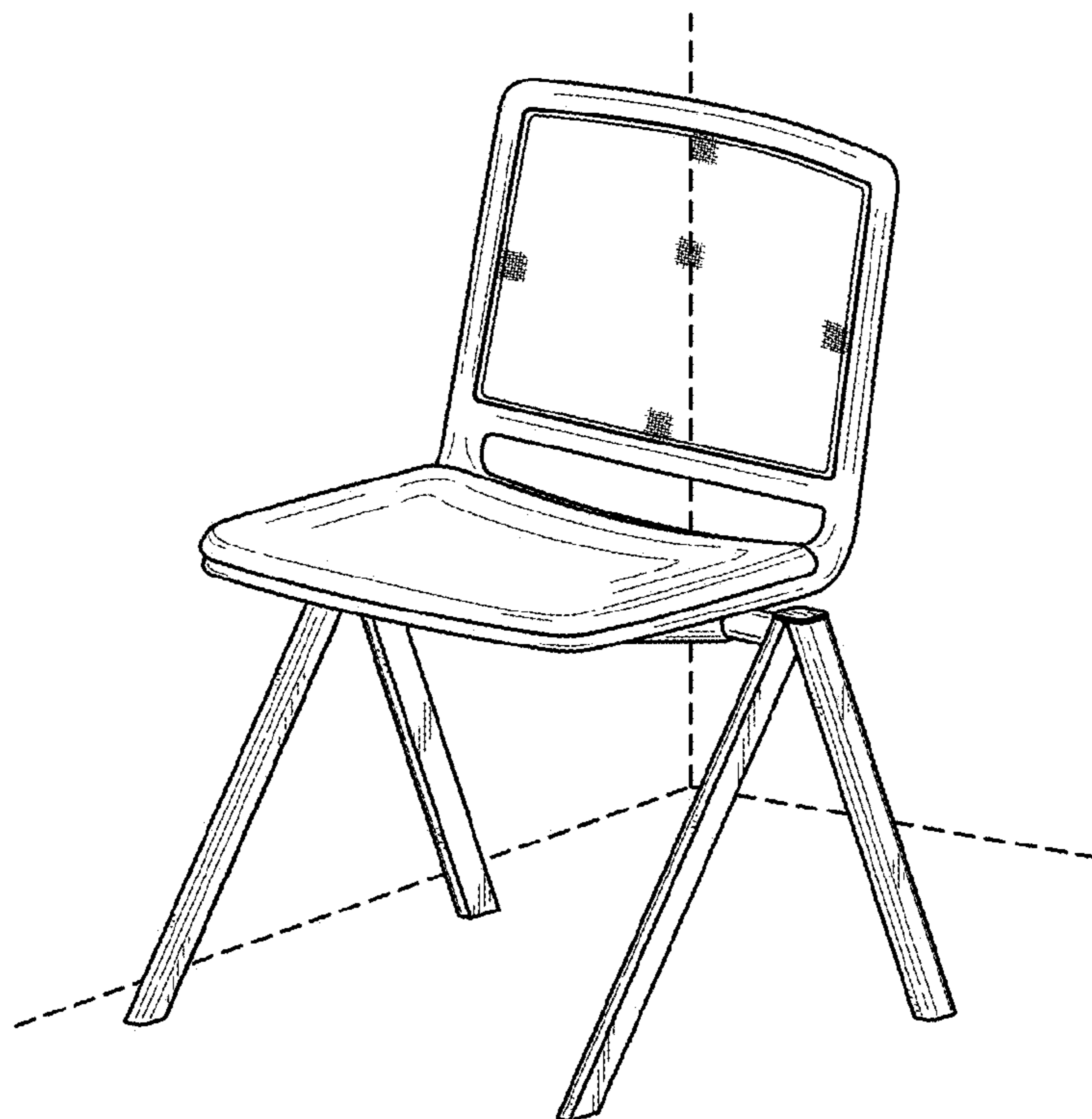


FIG. 1

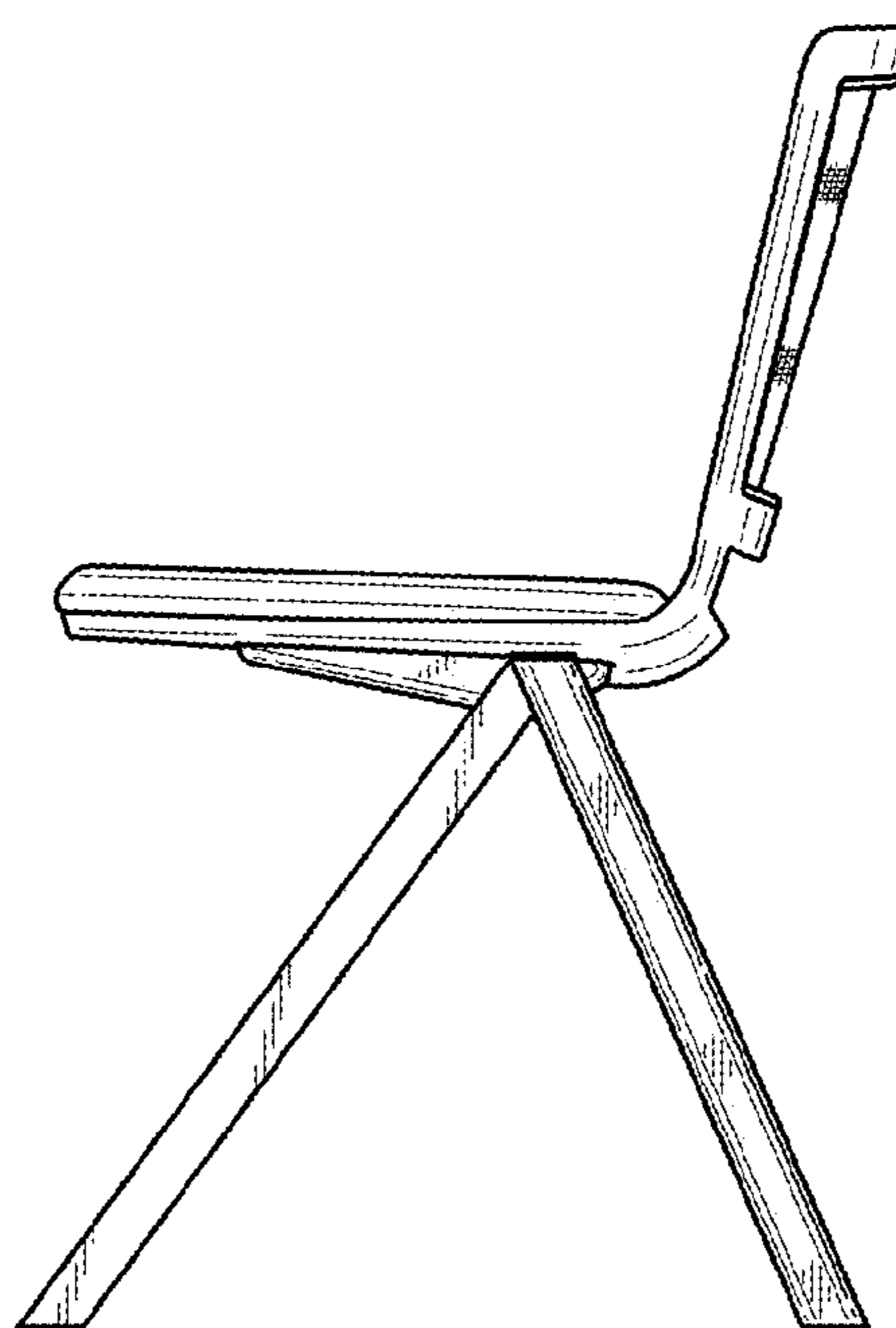


FIG. 2

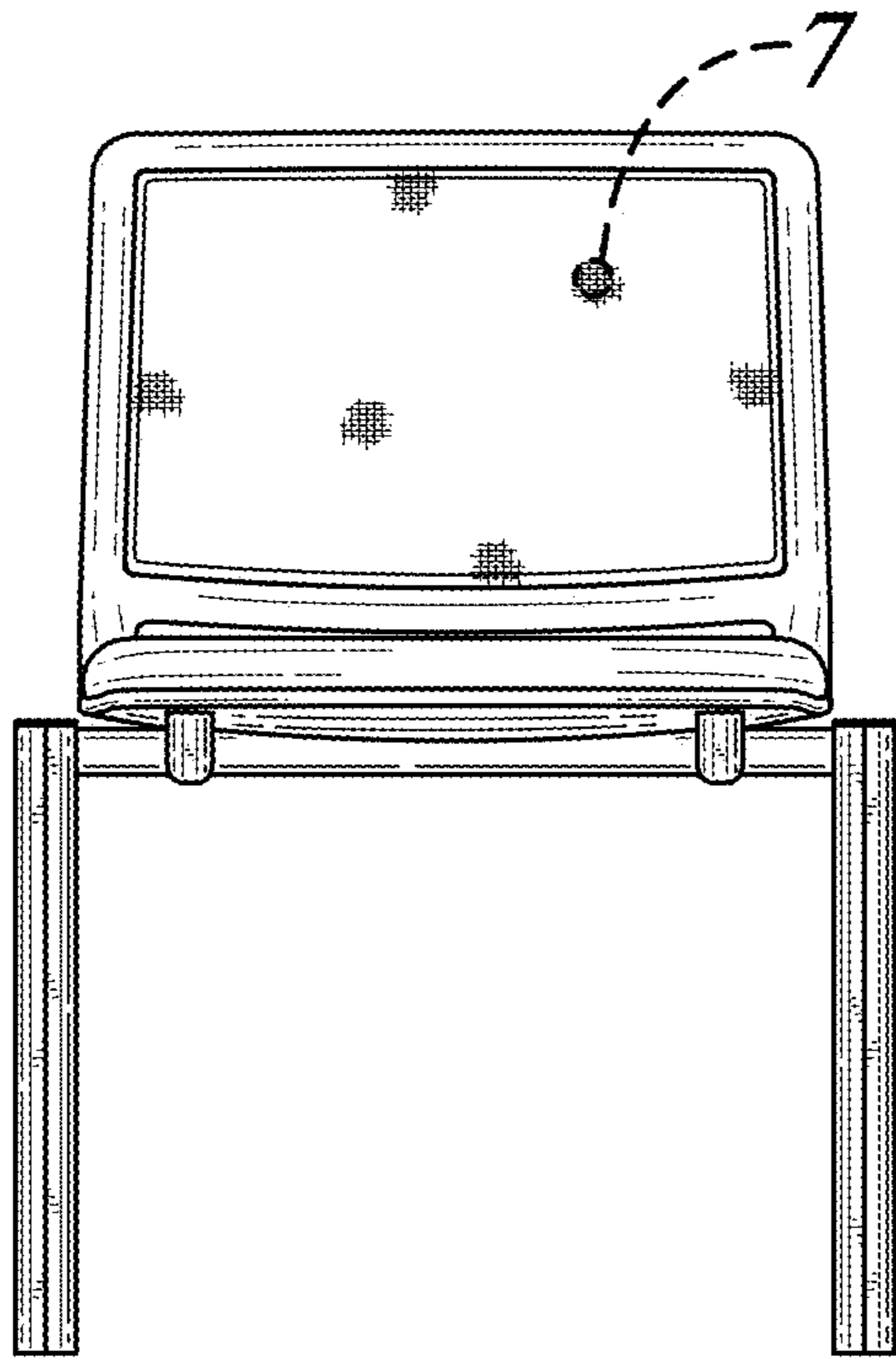


FIG. 3

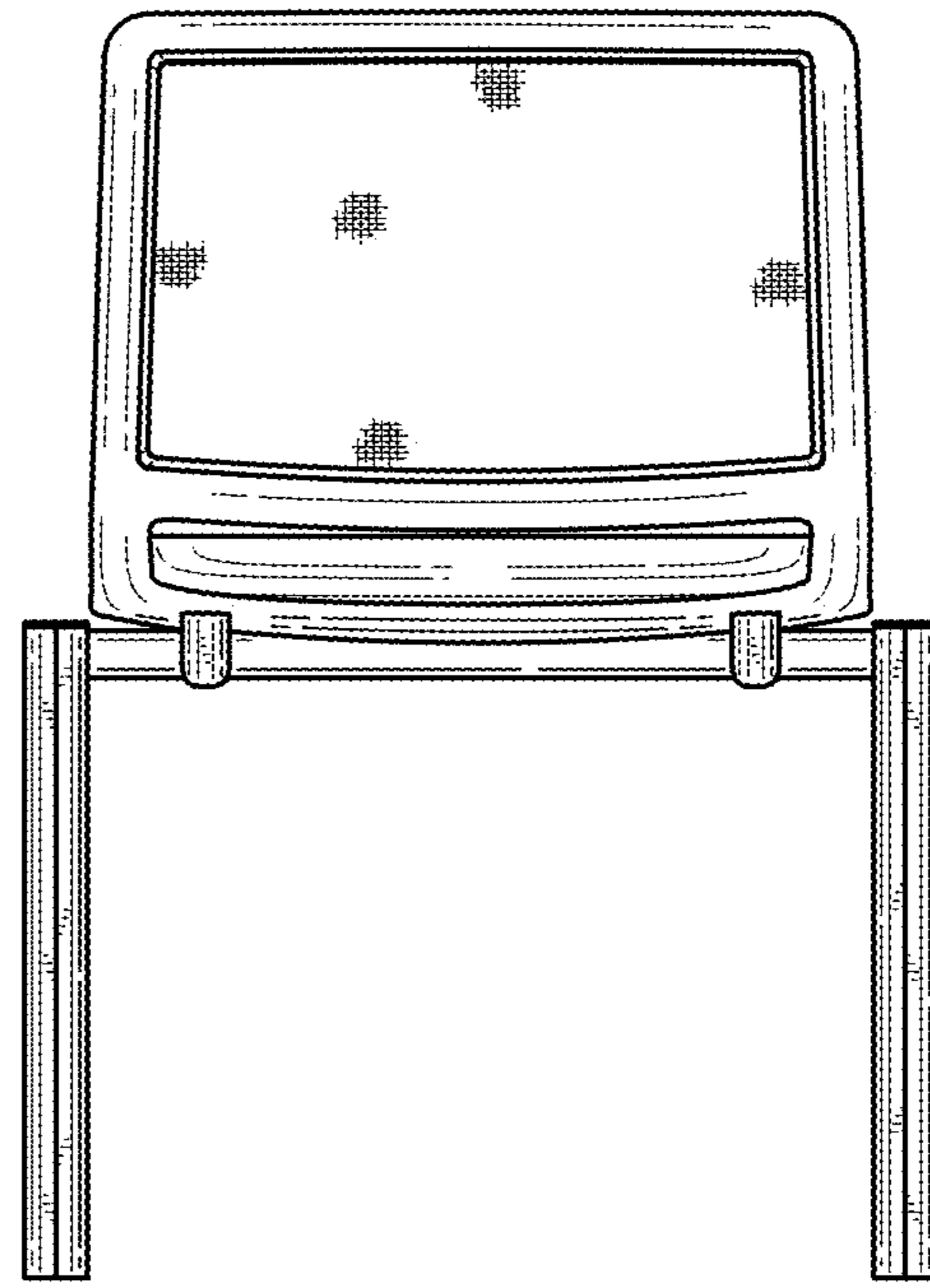


FIG. 4

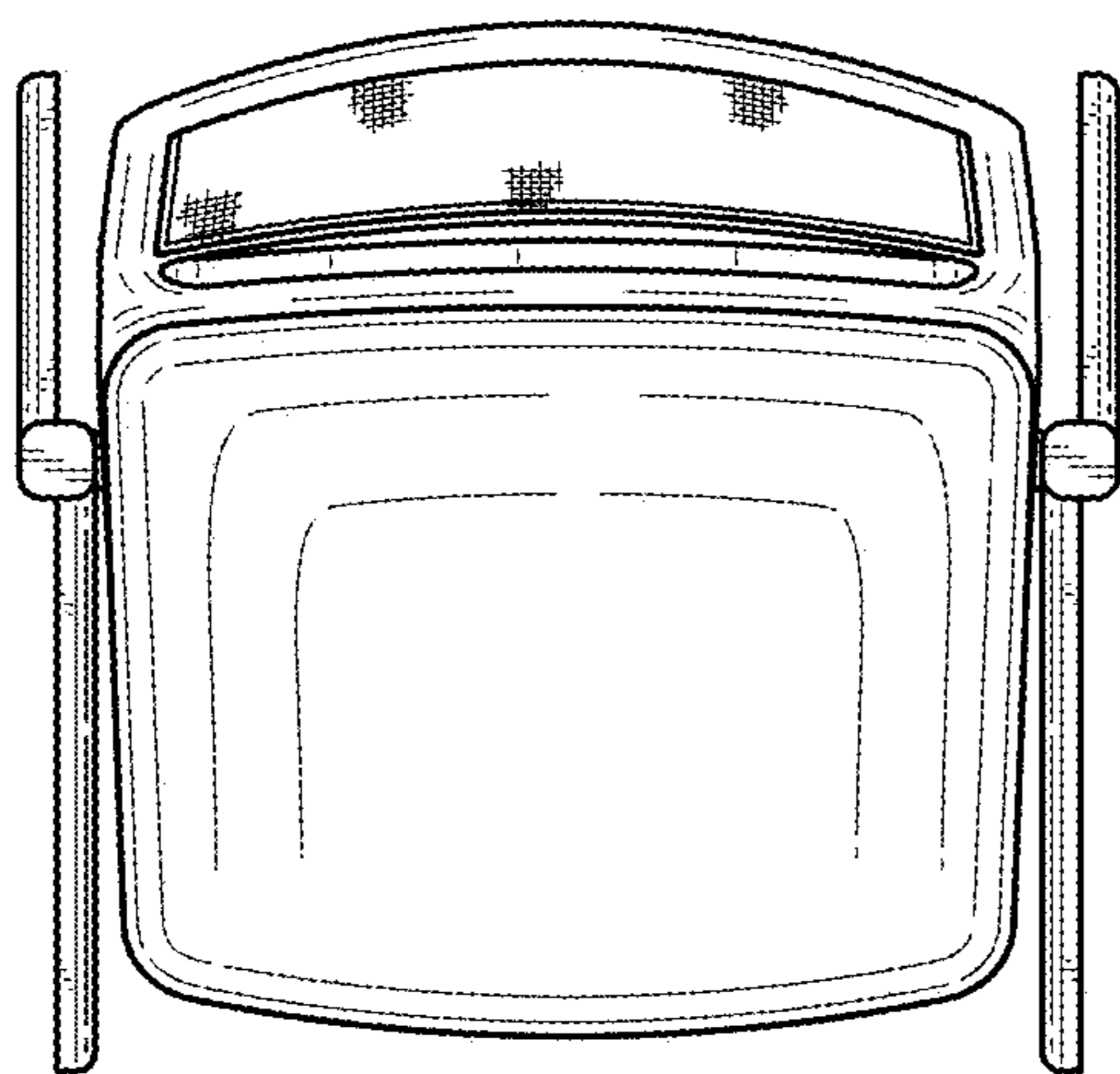


FIG. 5

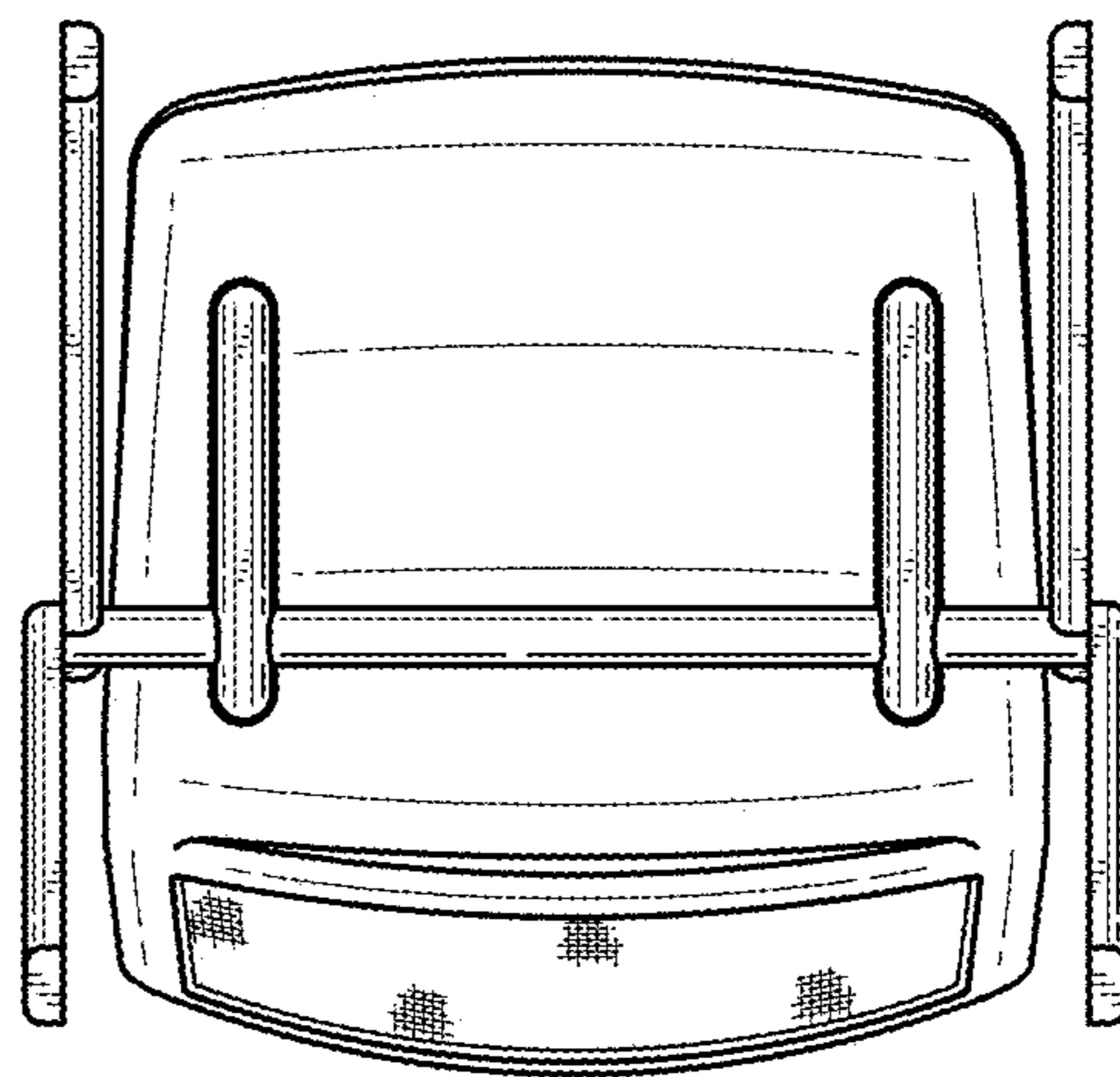


FIG. 6

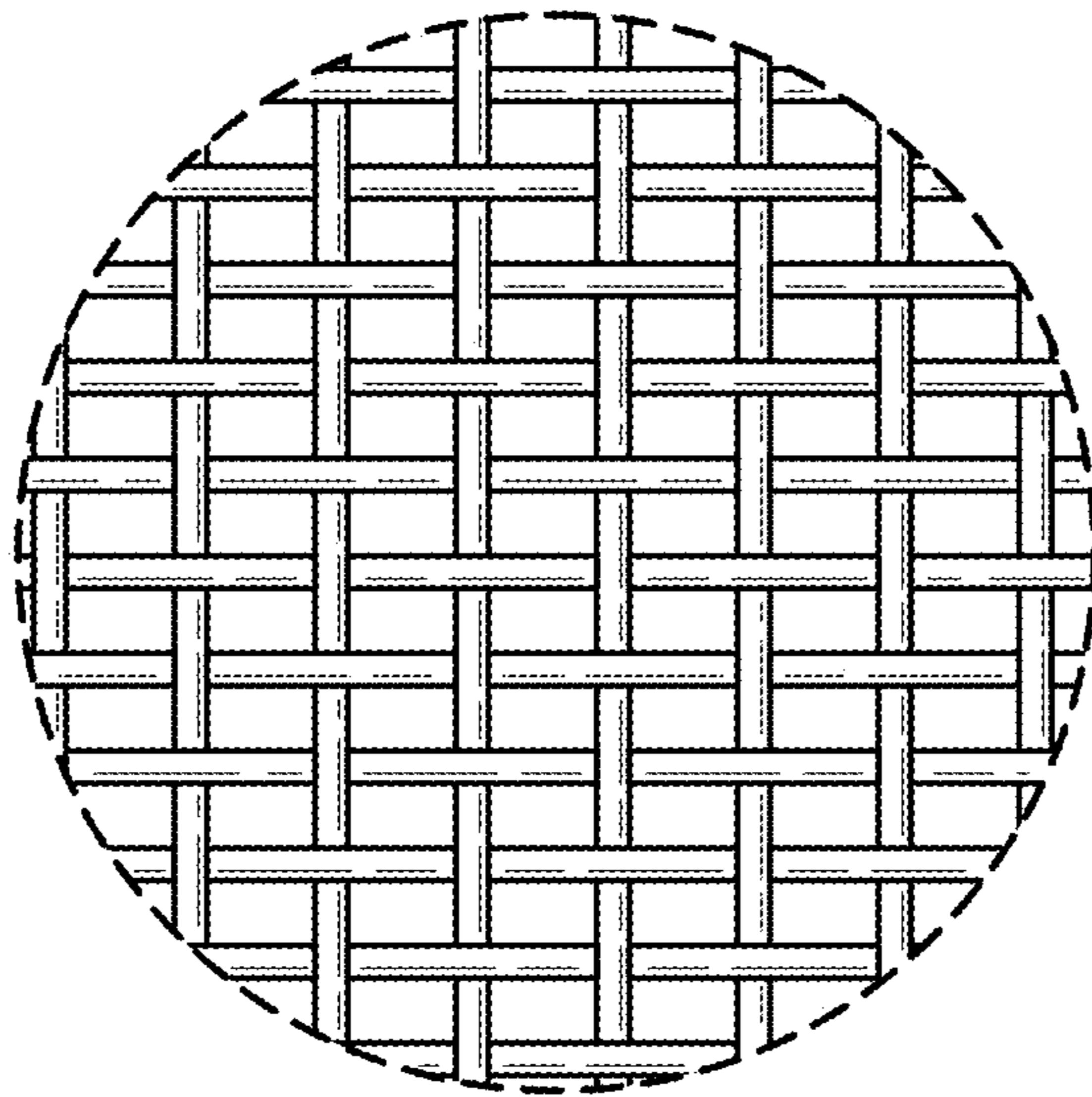


FIG. 7